



US00D571835S

(12) **United States Design Patent**
Concari et al.

(10) **Patent No.:** **US D571,835 S**
(45) **Date of Patent:** **** Jun. 24, 2008**

(54) **PUSH BUTTON HOLESAW MANDREL**
(75) Inventors: **Gabriel E. Concari**, Eldersburg, MD
(US); **Mark D. Miller**, Airville, PA (US)
(73) Assignee: **Black & Decker Inc.**, Newark, DE (US)
(**) Term: **14 Years**
(21) Appl. No.: **29/286,921**
(22) Filed: **May 22, 2007**

2004/0179911 A1* 9/2004 Keightley 408/204
2004/0247405 A1* 12/2004 Keightley 408/204
2007/0104548 A1* 5/2007 Rompel 408/206
2007/0137899 A1* 6/2007 Beccu 175/296

* cited by examiner

Primary Examiner—Antoine D. Davis
Assistant Examiner—Patricia Palasik
(74) *Attorney, Agent, or Firm*—Harness, Dickey & Pierce,
P.L.C.

(51) **LOC (8) Cl.** **15-09**
(52) **U.S. Cl.** **D15/139**
(58) **Field of Classification Search** D8/70;
D15/138, 139; 51/309; 144/150, 219; 175/57,
175/257–259, 266, 292, 296, 300, 303, 330,
175/405.1, 413–415; 279/77–80, 89; 407/35,
407/43; 408/204, 206, 207, 209, 238, 239 R,
408/703; 409/206
See application file for complete search history.

(57) **CLAIM**

The ornamental design for a push button holesaw mandrel, as shown and described.

DESCRIPTION

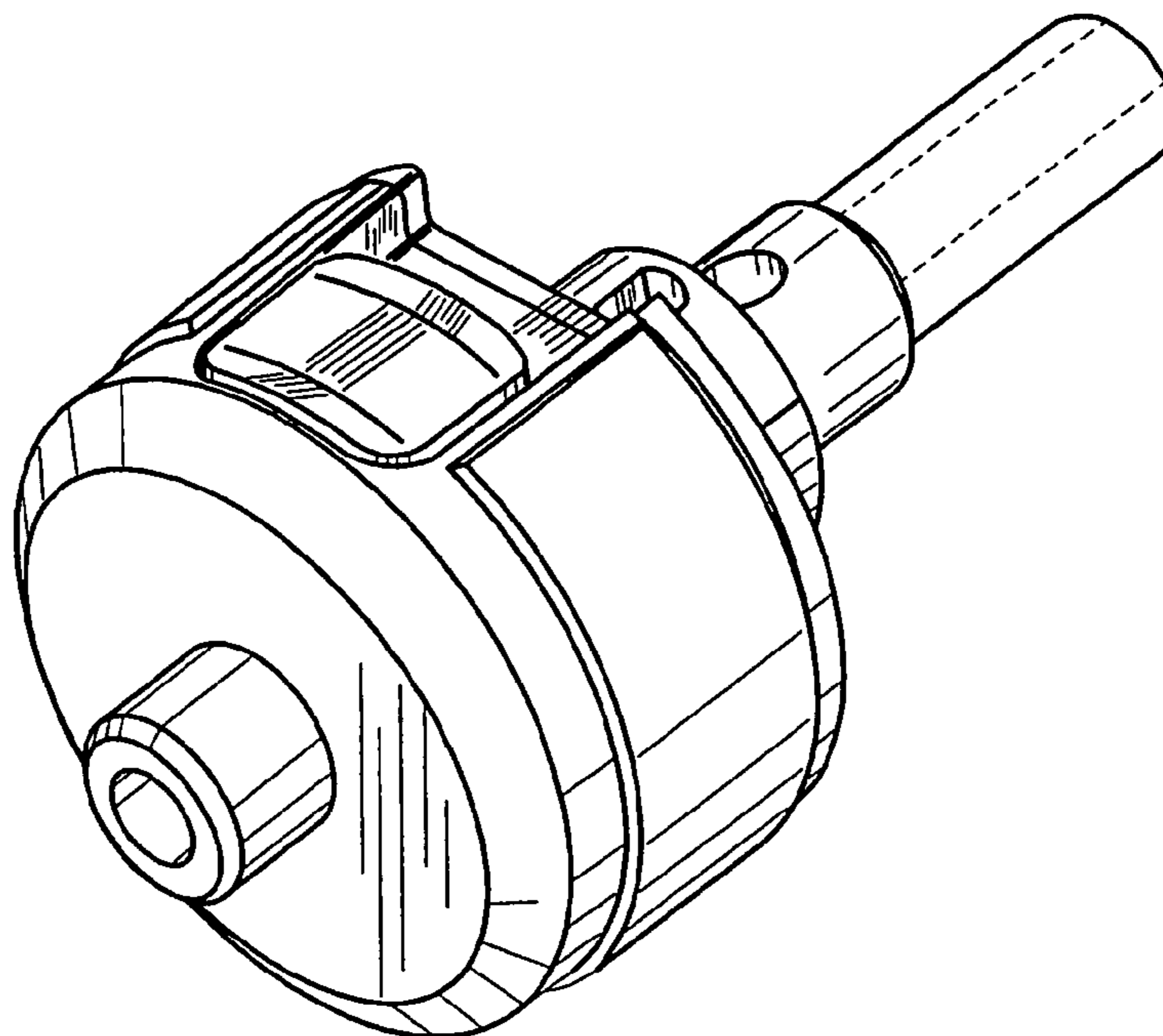
FIG. 1 is a perspective view of the push button holesaw mandrel assembly of the present disclosure;
FIG. 2 is a top plan view of the push button holesaw mandrel assembly of FIG. 1;
FIG. 3 is a side elevation view of the push button holesaw mandrel assembly of FIG. 1;
FIG. 4 is a front elevation view of the push button holesaw mandrel assembly of FIG. 1;
FIG. 5 is a rear elevation view of the push button holesaw mandrel assembly of FIG. 1;
FIG. 6 is a bottom plan view of the push button holesaw mandrel assembly of FIG. 1; and,
FIG. 7 is a perspective of an alternate embodiment of the push button holesaw mandrel assembly of the present disclosure.

(56) **References Cited**

U.S. PATENT DOCUMENTS

3,267,975 A * 8/1966 Enders 408/206
3,405,949 A * 10/1968 Cox D15/140
3,880,546 A * 4/1975 Segal 408/204
4,303,357 A * 12/1981 Makar 408/204
D329,441 S * 9/1992 Yee D15/138
5,651,646 A * 7/1997 Banke et al. 408/204
D438,219 S * 2/2001 Brutscher D15/139
D516,594 S * 3/2006 Morton D15/139
7,097,397 B2* 8/2006 Keightley 408/204
7,101,124 B2* 9/2006 Keightley 408/204
D529,778 S * 10/2006 Albertson et al. D8/70

1 Claim, 4 Drawing Sheets



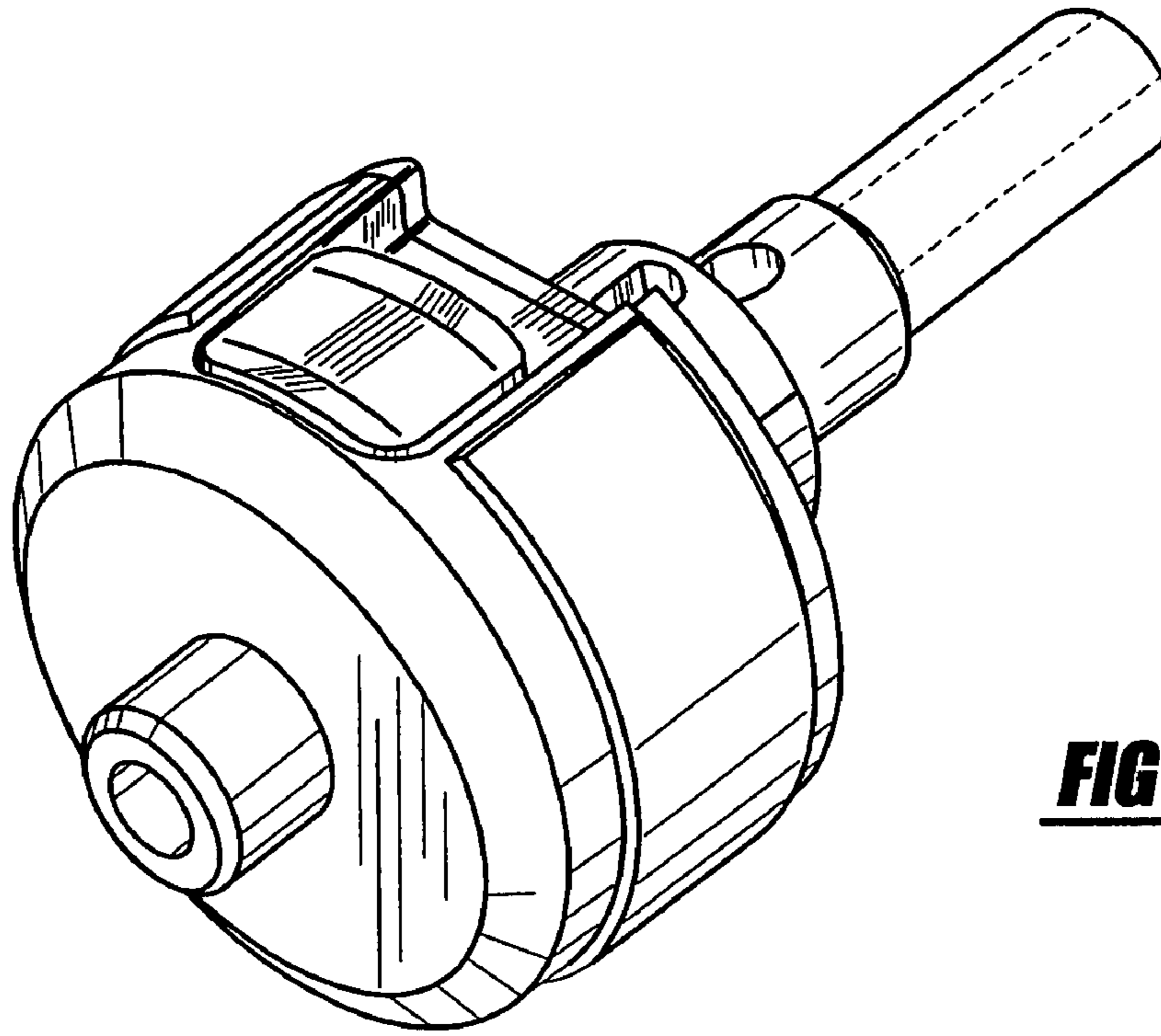


FIG - 1

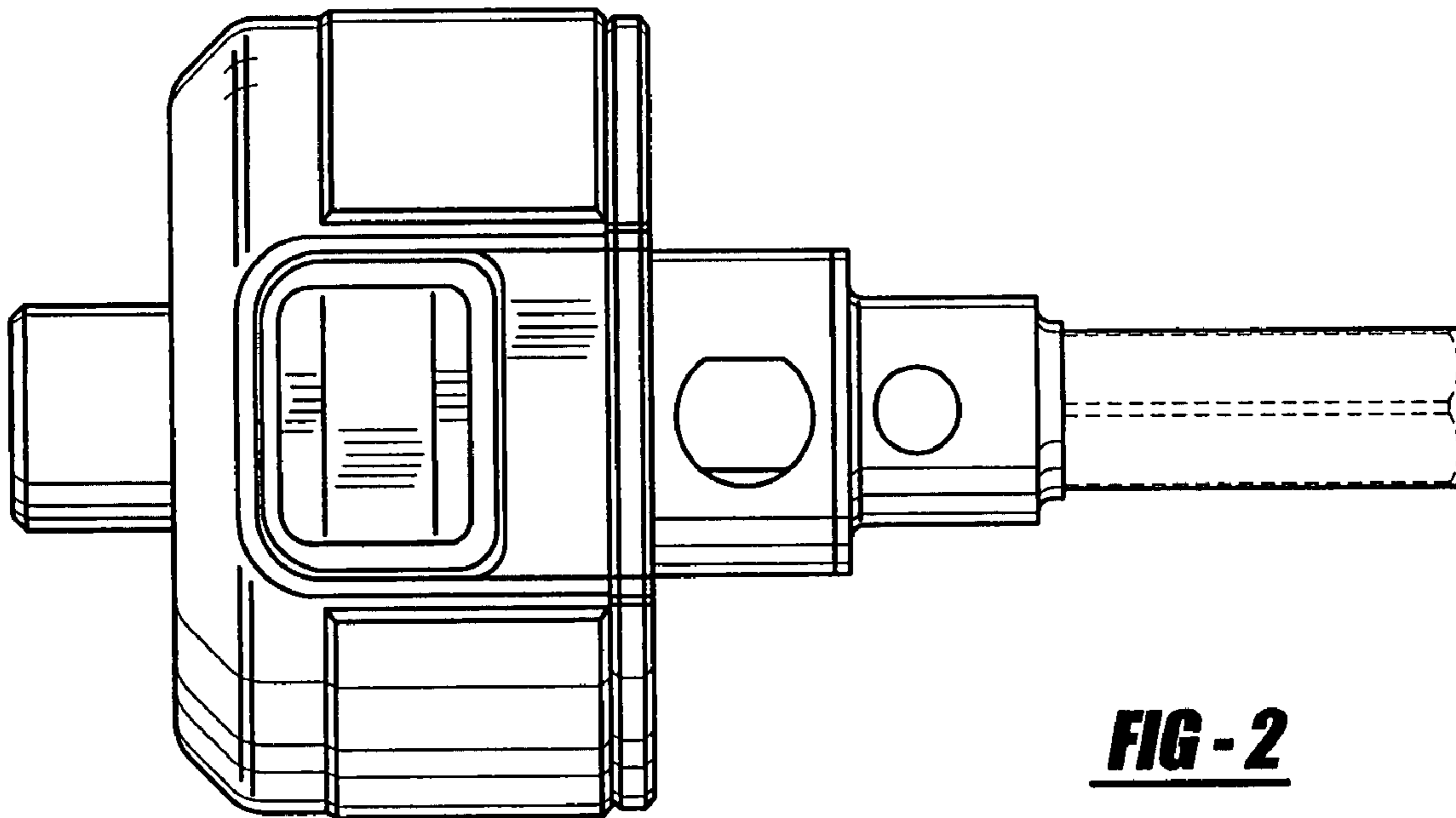
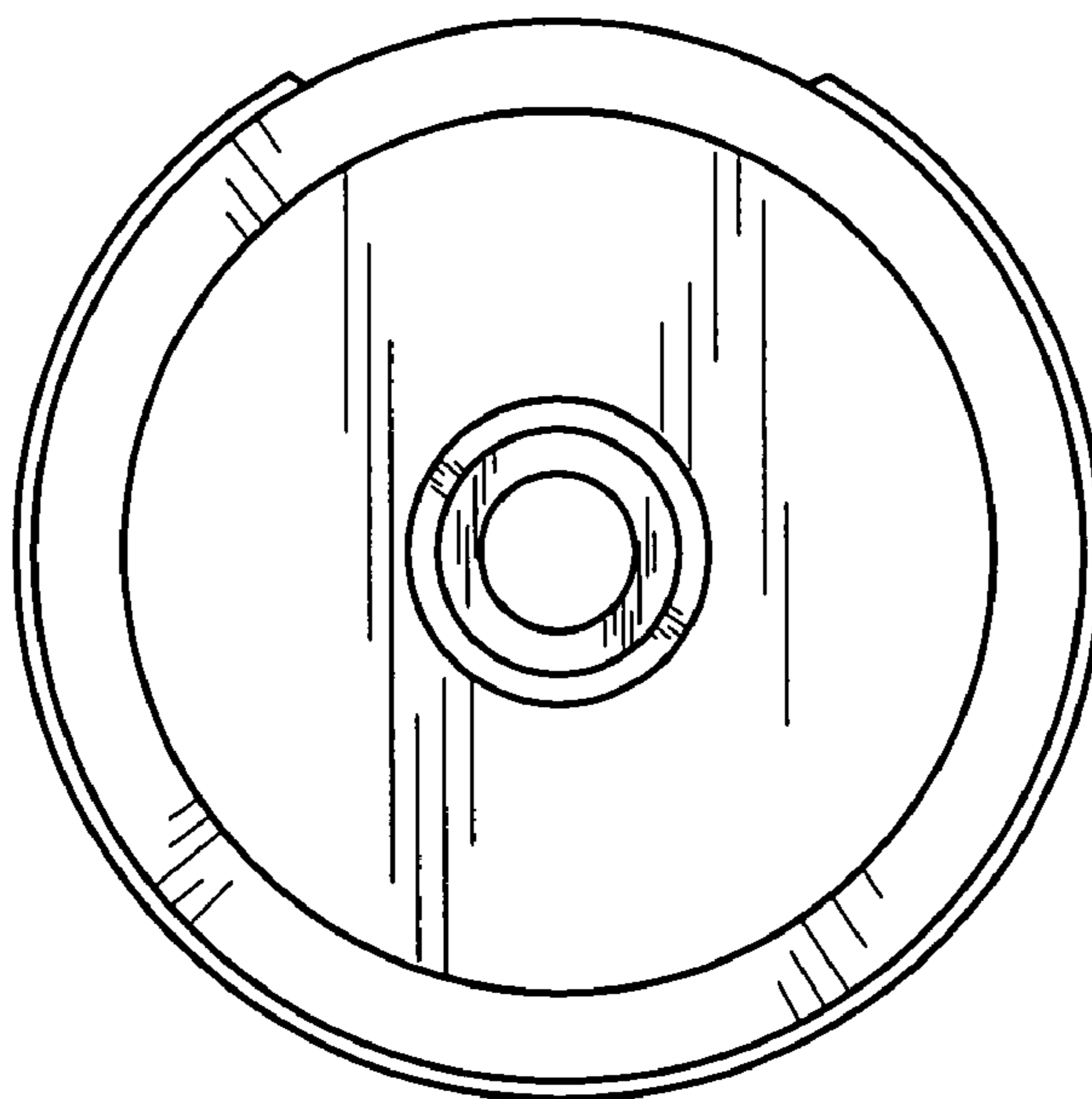
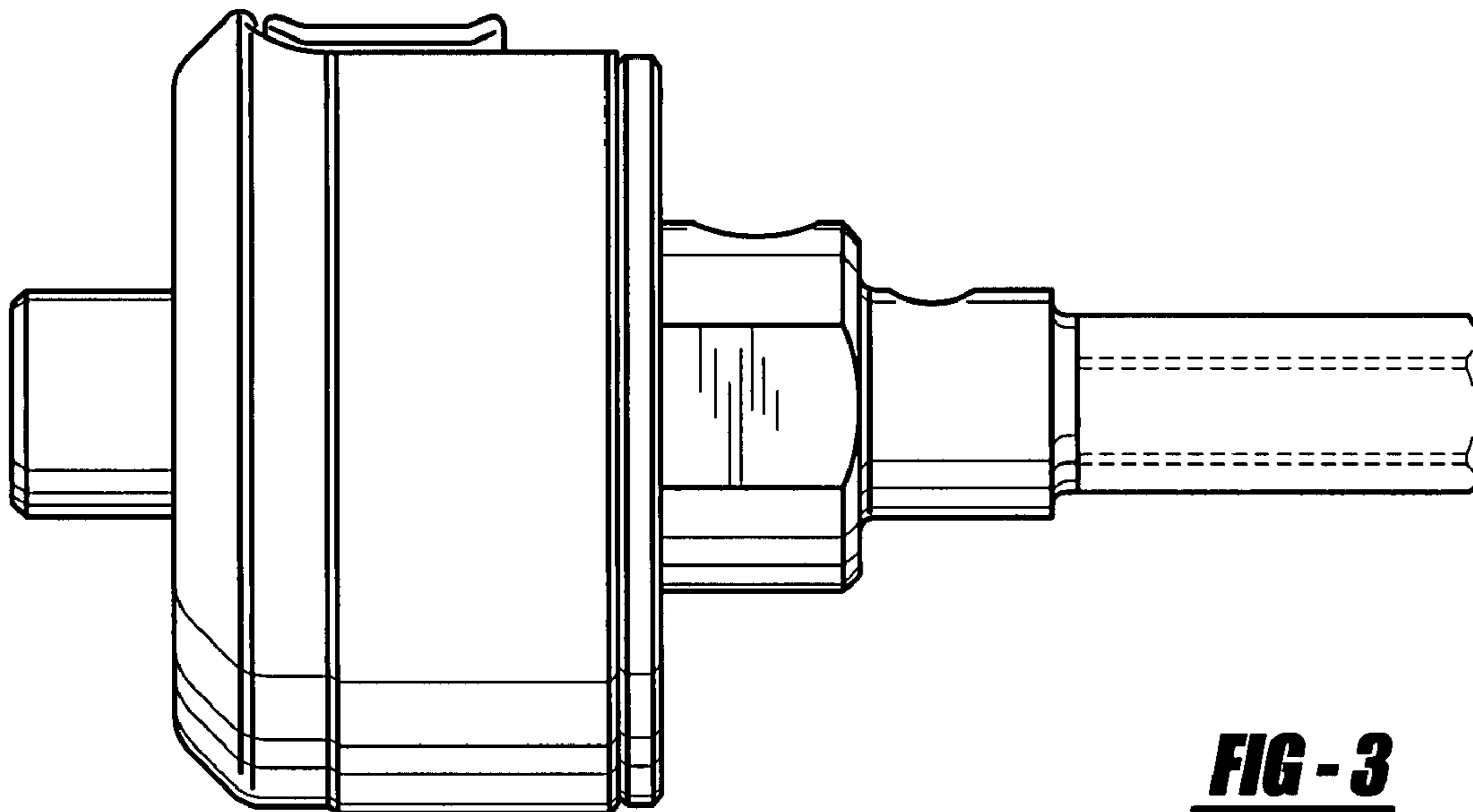


FIG - 2



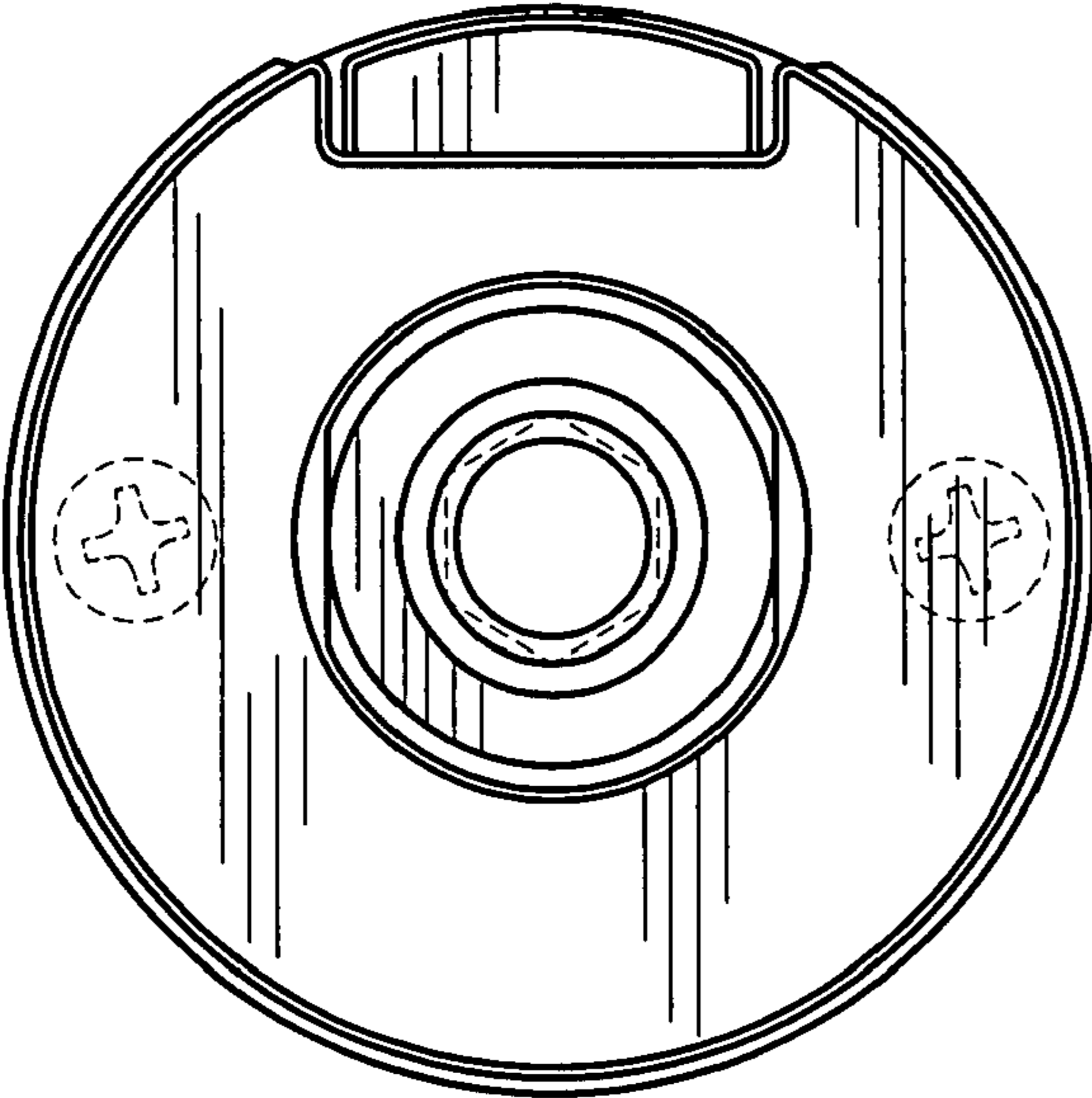


FIG - 5

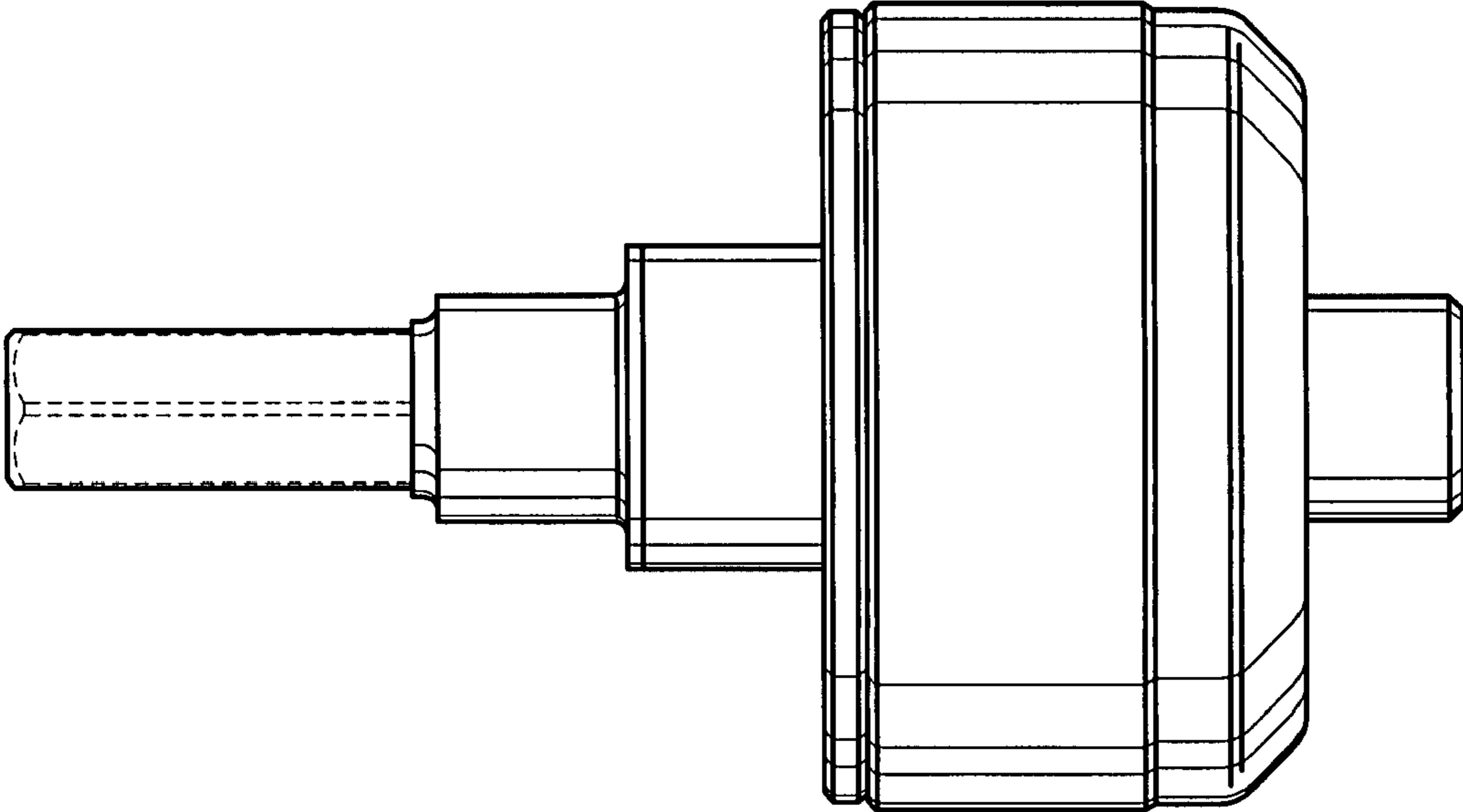


FIG - 6

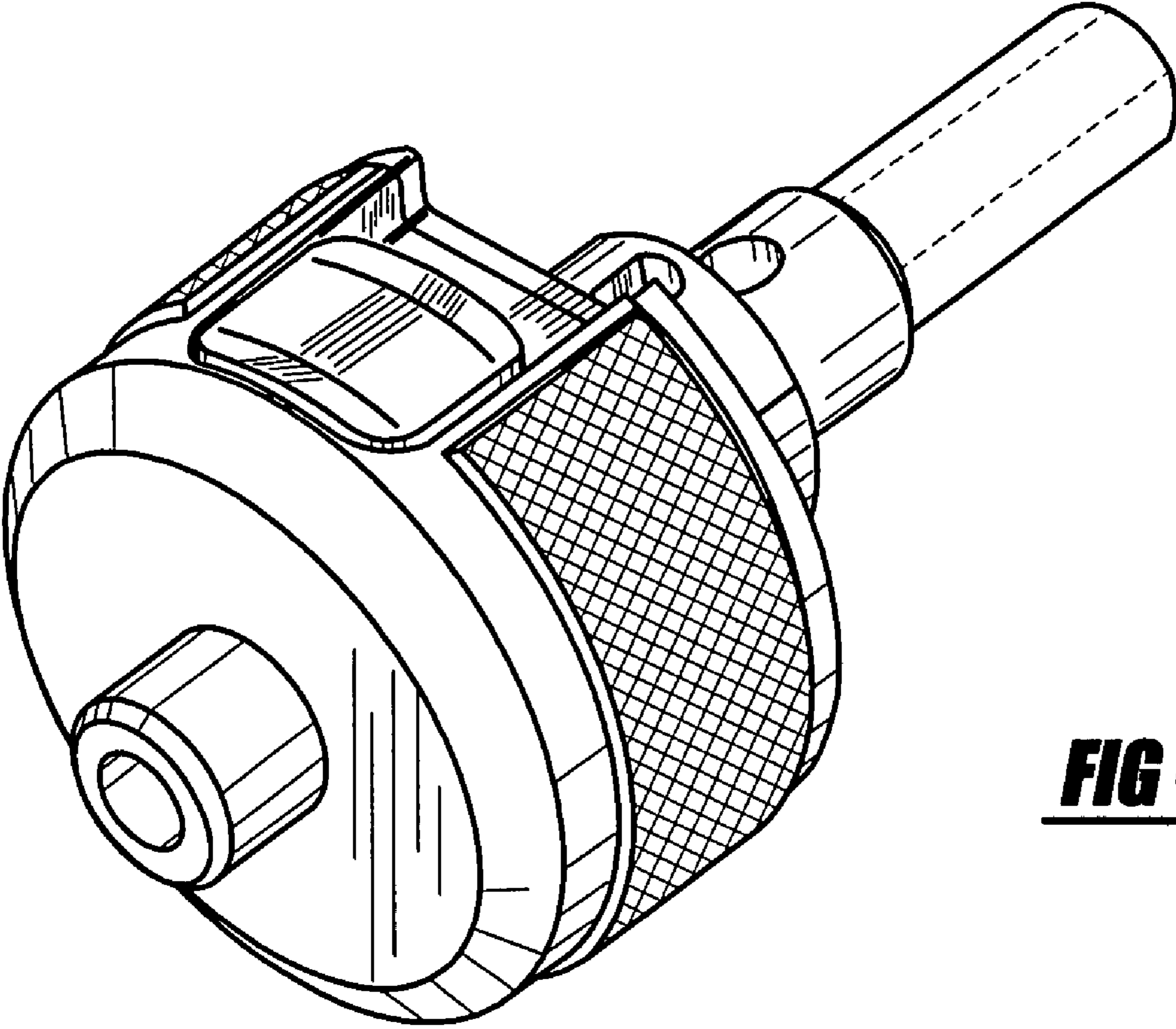


FIG - 7