



US00D571834S

(12) **United States Design Patent**  
**Young**

(10) **Patent No.:** **US D571,834 S**  
(45) **Date of Patent:** **\*\* Jun. 24, 2008**

(54) **MANDREL FOR HOLDING ROLLS OF WEB MATERIAL**

(75) Inventor: **Michael Young**, Mukwonago, WI (US)

(73) Assignee: **Colman Group, Inc.**, Elkhorn, WI (US)

(\*\*) Term: **14 Years**

(21) Appl. No.: **29/259,510**

(22) Filed: **May 10, 2006**

(51) **LOC (8) Cl.** ..... **15-09**

(52) **U.S. Cl.** ..... **D15/138**

(58) **Field of Classification Search** ..... D15/138,  
D15/140, 141; D23/393; 82/169; 242/560,  
242/571.1, 597.4, 597.6, 598.4, 613.1; 279/2.07,  
279/2.22, 4.04, 4.11

See application file for complete search history.

(56) **References Cited**

U.S. PATENT DOCUMENTS

3,825,167	A *	7/1974	Komorek et al.	.....	279/2.07
3,917,187	A *	11/1975	Damour	.....	242/571.1
3,937,412	A *	2/1976	Damour	.....	242/571.1
4,195,792	A *	4/1980	Hall	.....	242/571.1
4,693,432	A *	9/1987	Touret	.....	242/610.4
4,721,267	A *	1/1988	Nieto et al.	.....	242/598.4
4,993,653	A *	2/1991	Frei	.....	242/571.1
5,211,350	A *	5/1993	Ritter et al.	.....	242/533.7
5,524,835	A *	6/1996	Collins	.....	242/560
5,533,691	A *	7/1996	Doyle et al.	.....	242/597.4
5,758,405	A *	6/1998	Bent et al.	.....	29/599
5,769,355	A *	6/1998	Guttin	.....	242/598.4
7,017,852	B2 *	3/2006	Perrigo et al.	.....	242/523.1

D558,325	S *	12/2007	Karnes	.....	D23/393
2005/0218258	A1 *	10/2005	Valerio	.....	242/598.4
2006/0145049	A1 *	7/2006	Blankinship	.....	249/66.1
2006/0284383	A1 *	12/2006	Brettell	.....	279/2.1

\* cited by examiner

*Primary Examiner*—Sandra Snapp

*Assistant Examiner*—Patricia Palasik

(74) *Attorney, Agent, or Firm*—Adam L. Brookman; Boyle Fredrickson, S.C.

(57) **CLAIM**

The ornamental design for a mandrel for holding rolls of web material, as shown.

**DESCRIPTION**

FIG. 1 is a perspective view of one embodiment of a mandrel for holding rolls of web material in accordance with the new design;

FIG. 2 is a left side view of the mandrel for holding rolls of web material of FIG. 1;

FIG. 3 is a right side view of the mandrel for holding rolls of web material of FIG. 1;

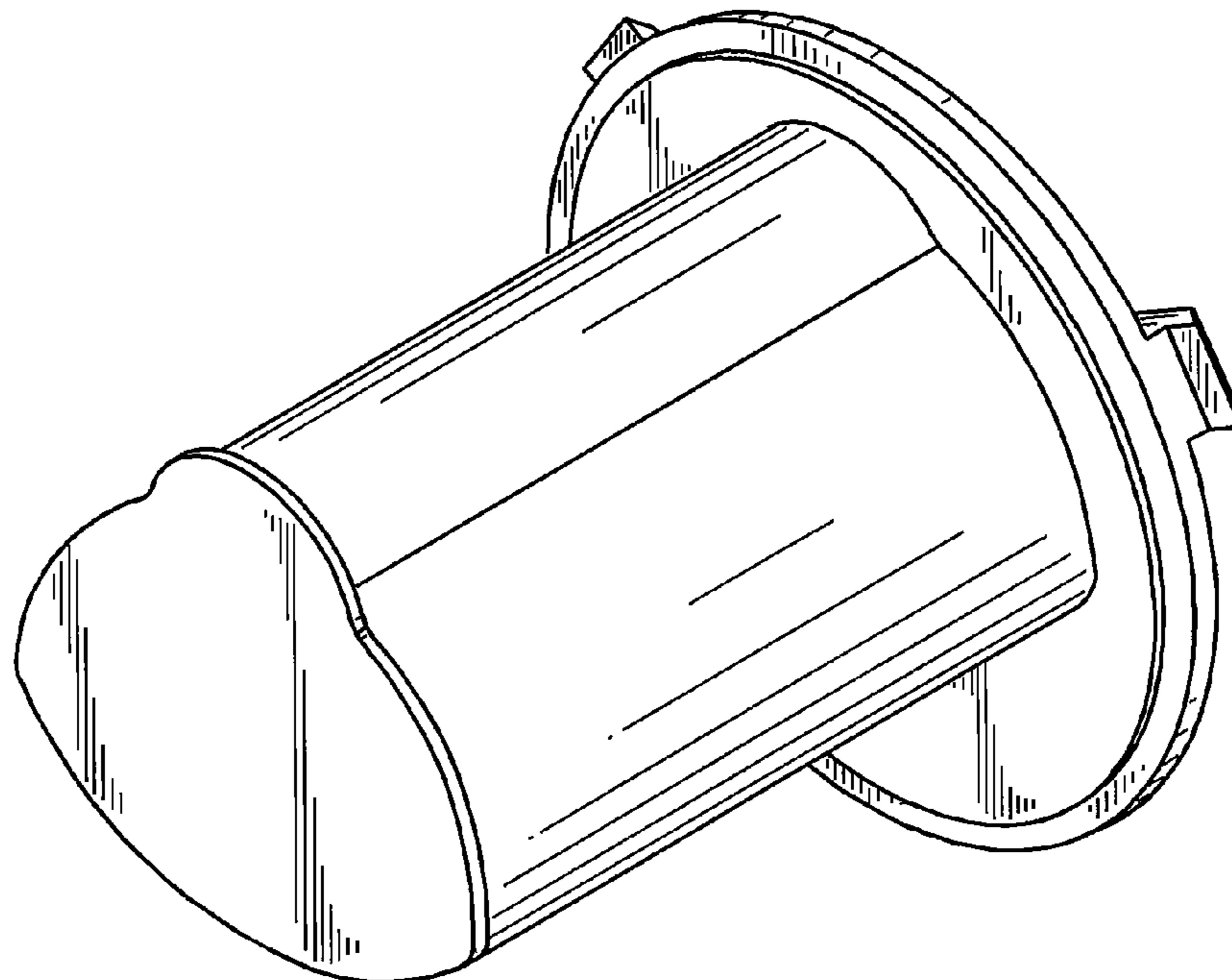
FIG. 4 is a bottom view of the mandrel for holding rolls of web material of FIG. 1;

FIG. 5 is a top view of the mandrel for holding rolls of web material of FIG. 1;

FIG. 6 is a front view of the mandrel for holding rolls of web material of FIG. 1; and,

FIG. 7 is a rear view of the mandrel for holding rolls of web material of FIG. 1.

**1 Claim, 7 Drawing Sheets**



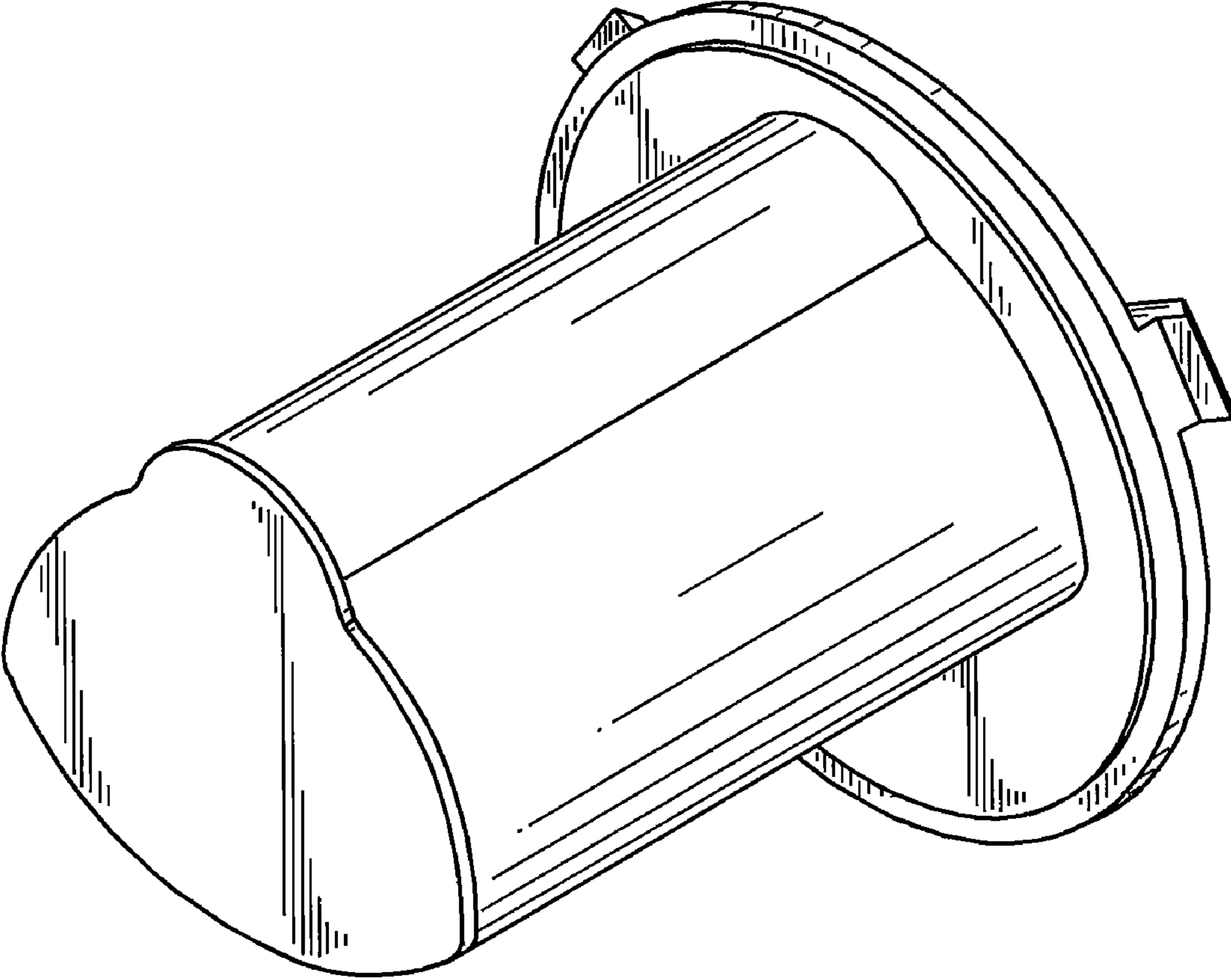


FIG. 1

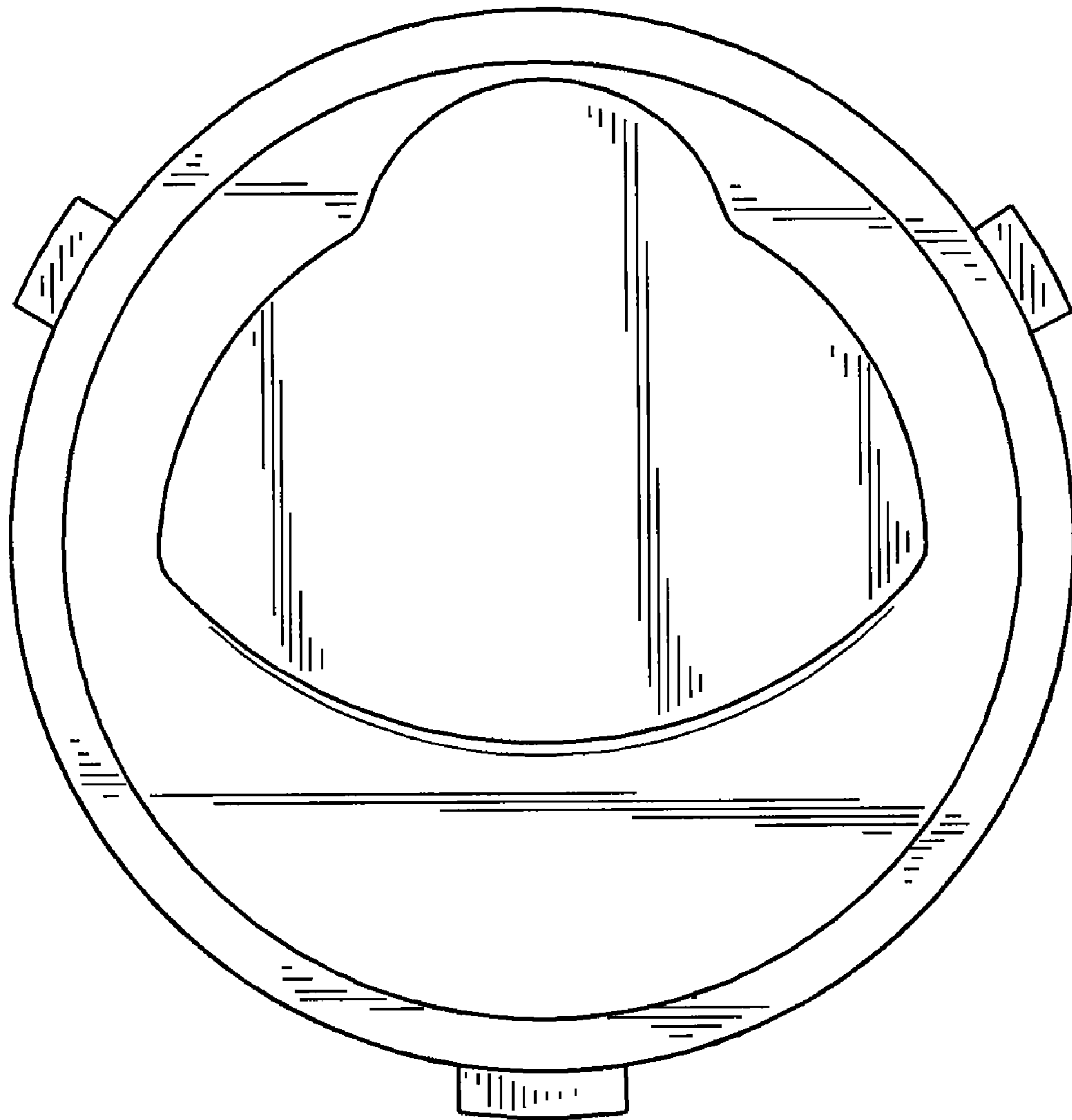


FIG. 2

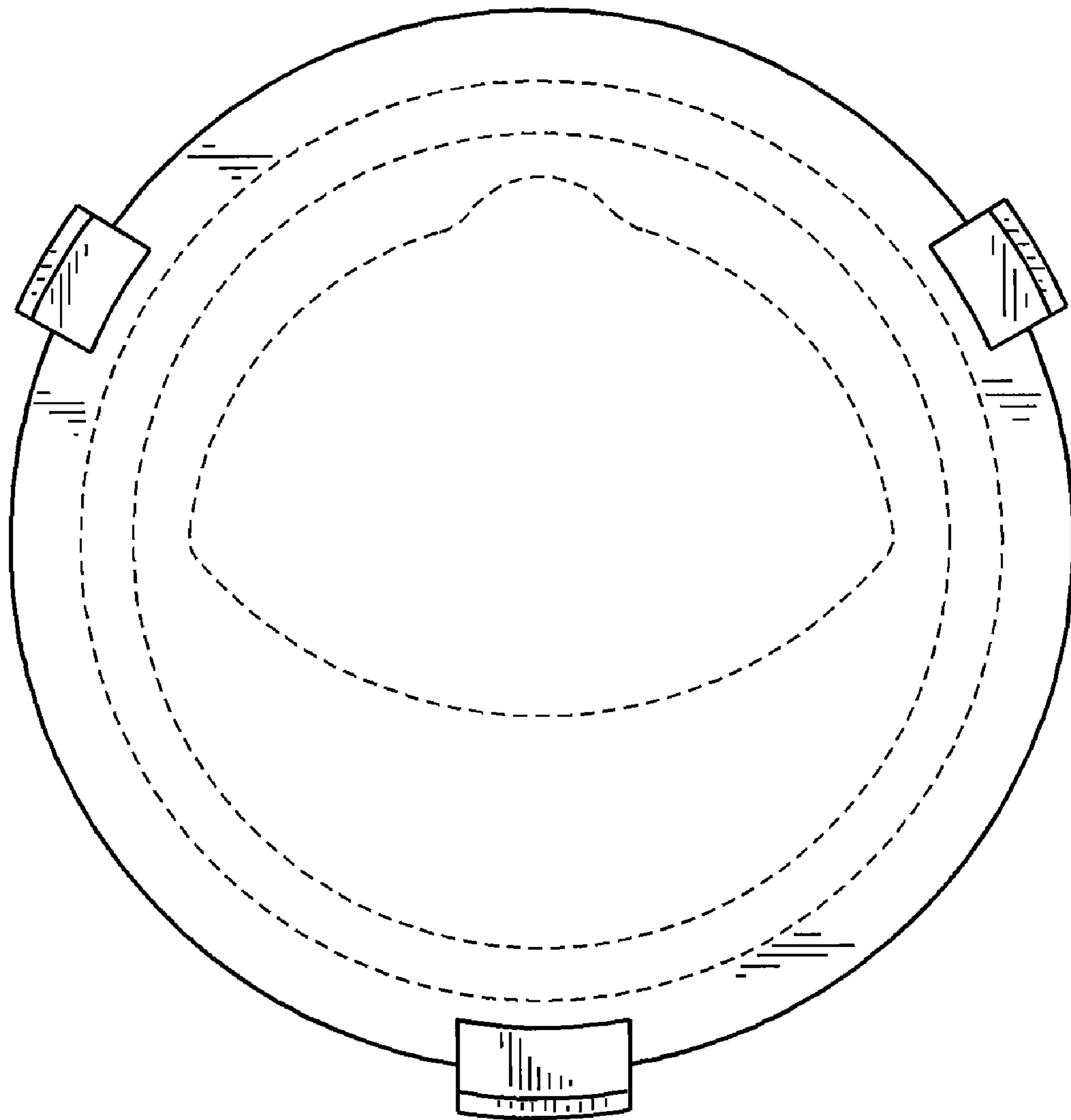


FIG. 3

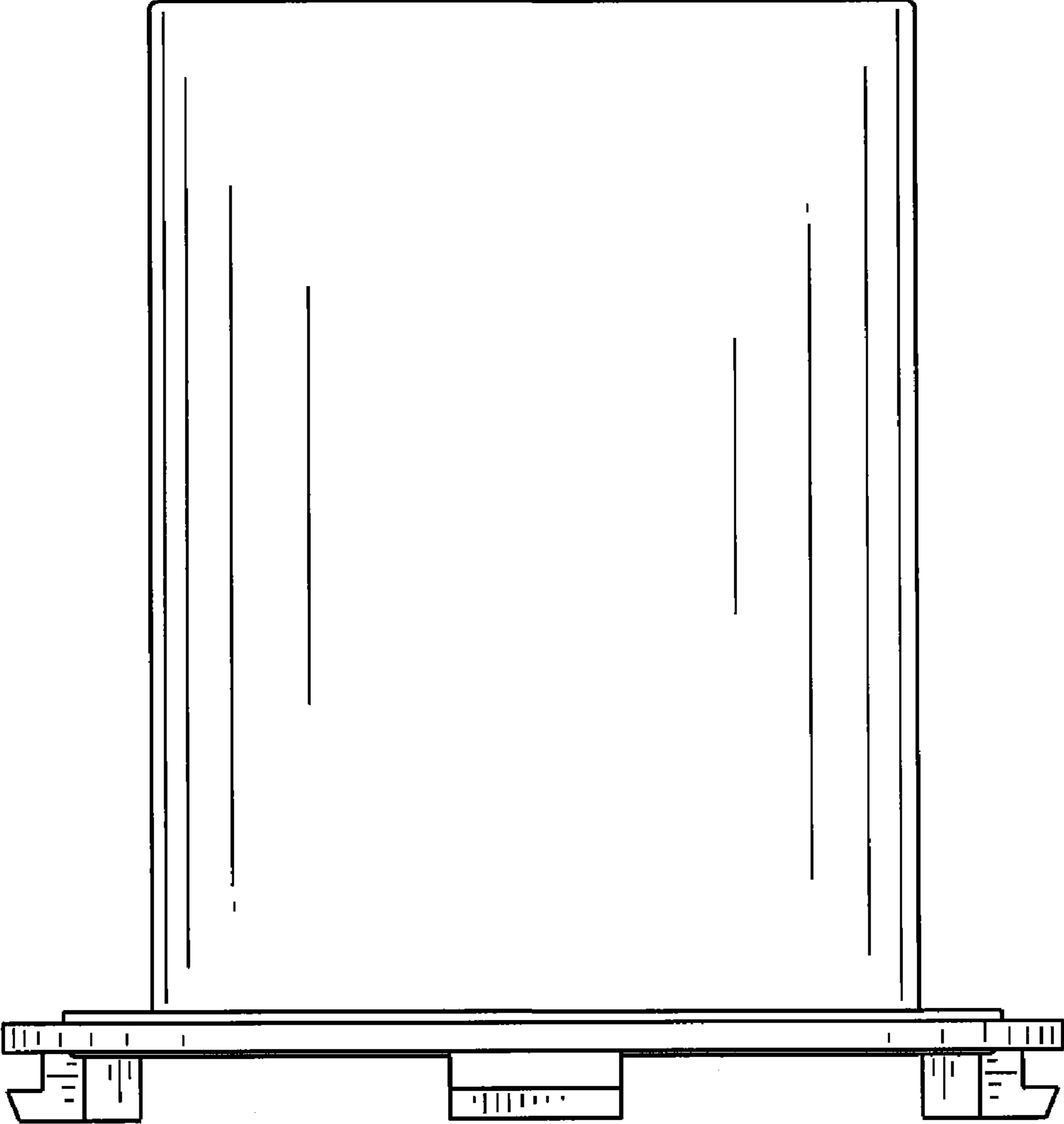


FIG. 4

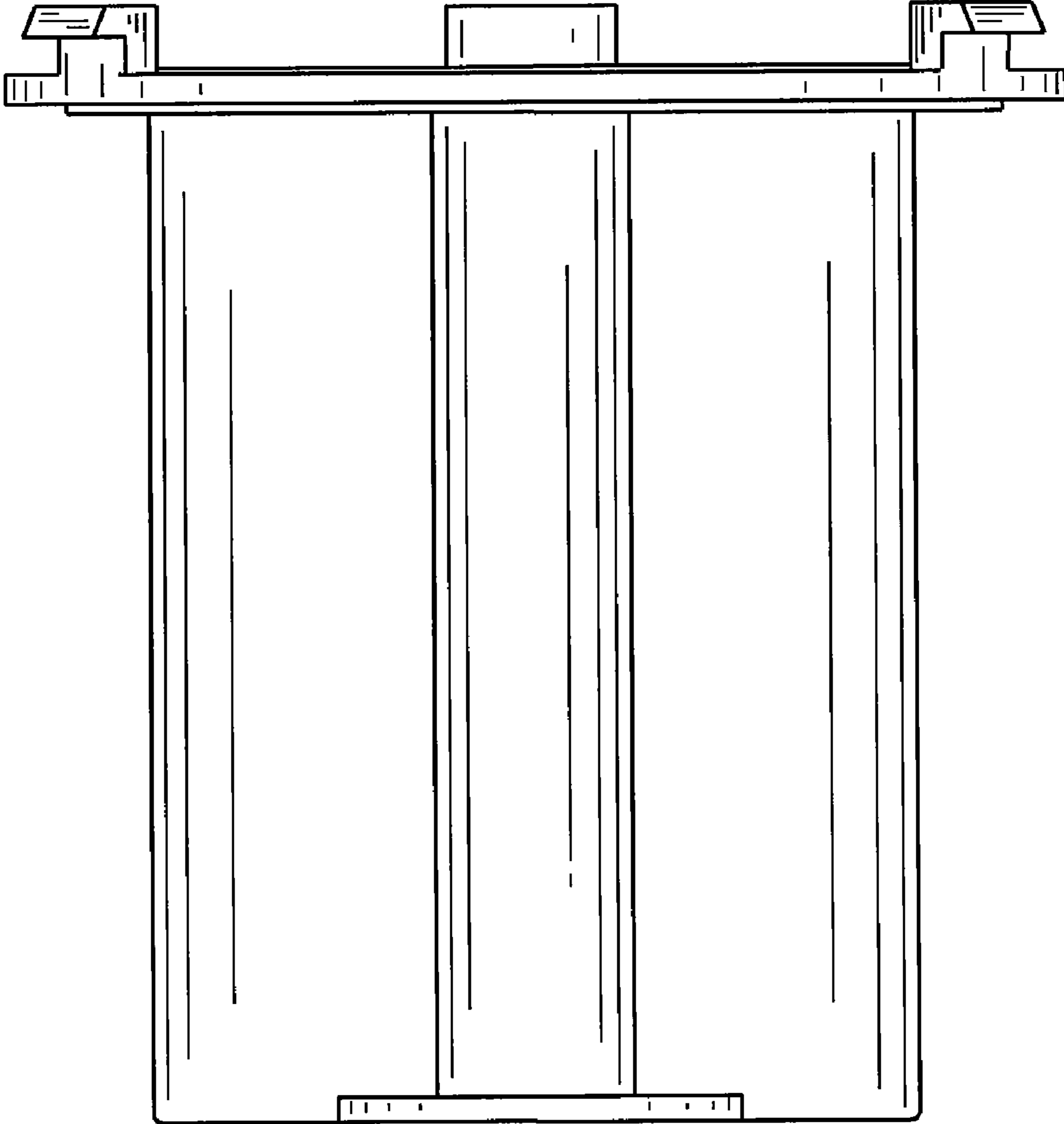


FIG. 5

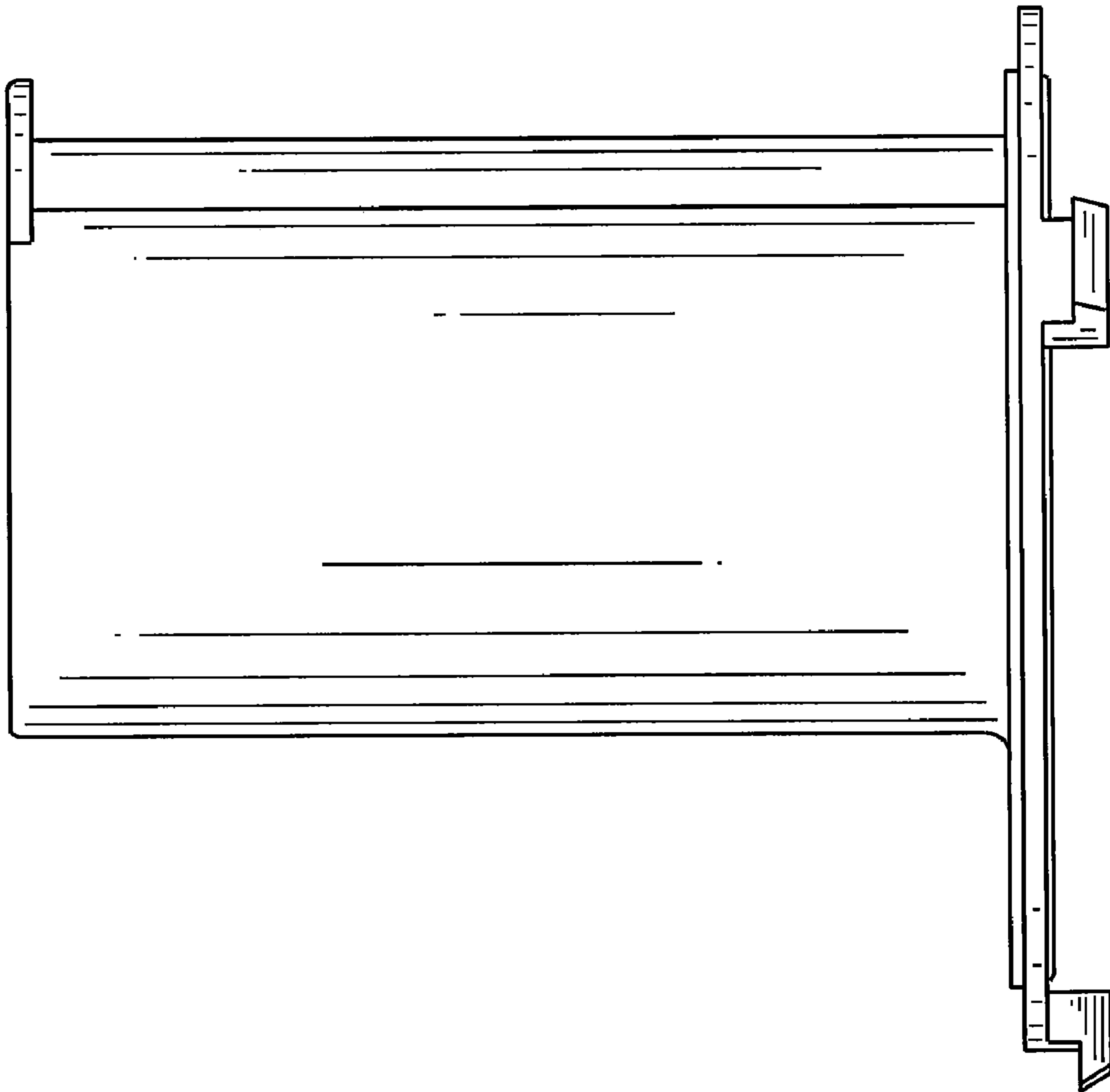


FIG. 6

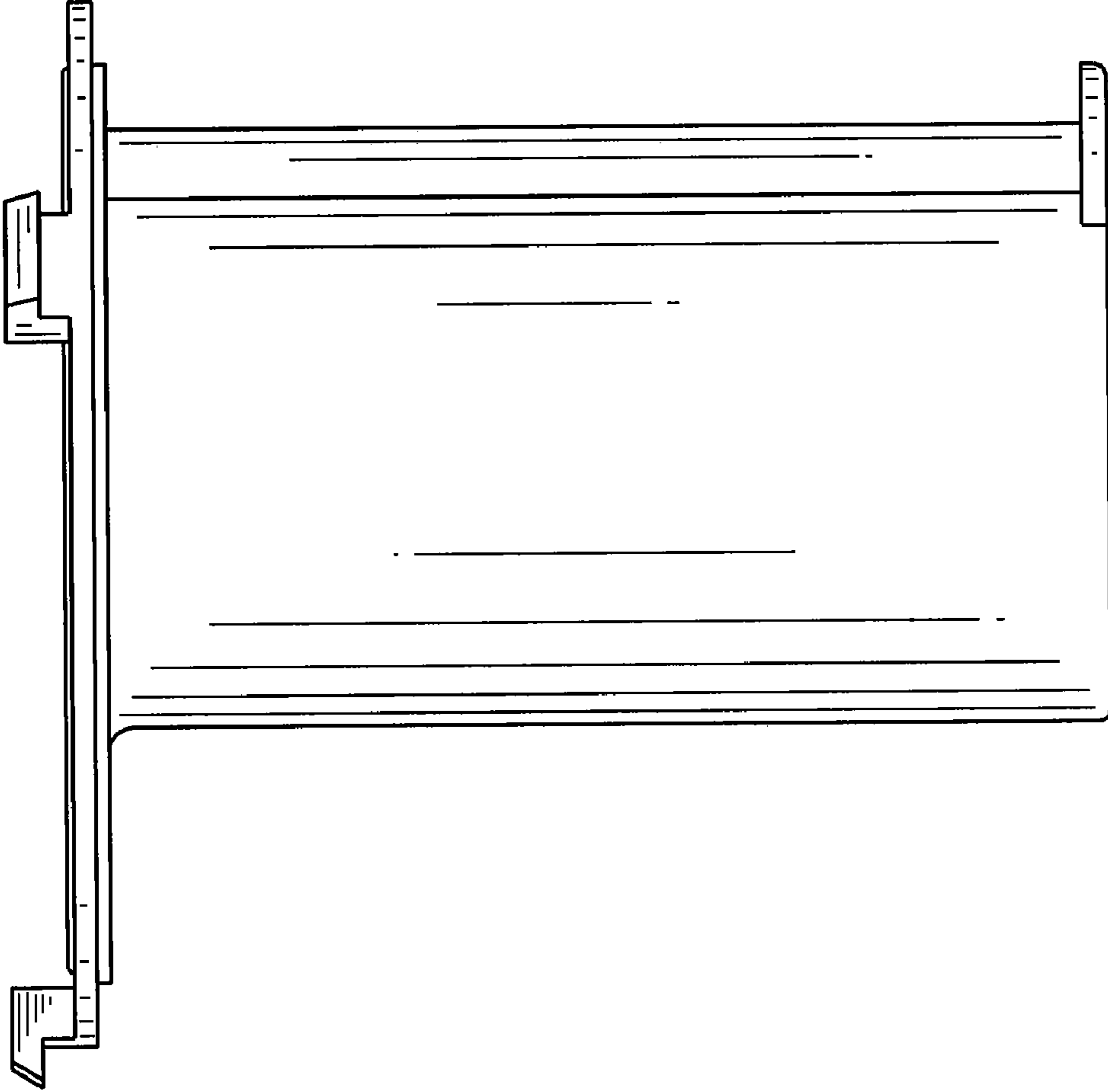


FIG. 7