



US00D571830S

(12) **United States Design Patent**
Wright et al.

(10) **Patent No.:** **US D571,830 S**
(45) **Date of Patent:** **** Jun. 24, 2008**

(54) **SAW**

5,720,095 A * 2/1998 Lennartsson 29/509
6,272,960 B1 * 8/2001 Dibbern et al. 30/517

(75) Inventors: **Stuart J. Wright**, Timonium, MD (US);
Daniel N. Lopano, Towson, MD (US);
Gregg L. Sheddy, Shrewsbury, PA (US);
Peter Chalkowsky, Bel Air, MD (US);
James D. Schroeder, Dallastown, PA
(US); **Warren A. Ceroll**, Owings Mills,
MD (US); **Darren B. Moss**,
Cockeysville, MD (US)

* cited by examiner

Primary Examiner—Antoine D. Davis
(74) *Attorney, Agent, or Firm*—Scott B. Markow

(73) Assignee: **Black & Decker Inc.**, Newark, DE (US)

(**) Term: **14 Years**

(21) Appl. No.: **29/292,328**

(22) Filed: **Oct. 9, 2007**

(57) **CLAIM**

The ornamental design for a saw, as shown and described.

Related U.S. Application Data

(63) Continuation of application No. 29/273,226, filed on Feb. 28, 2007, which is a continuation of application No. 29/266,579, filed on Sep. 25, 2006, now Pat. No. Des. 543,220, which is a continuation of application No. 29/257,444, filed on Apr. 4, 2006, now Pat. No. Des. 541,830, which is a continuation of application No. 29/213,353, filed on Sep. 16, 2004, now Pat. No. Des. 523,038, which is a continuation of application No. 29/192,203, filed on Oct. 21, 2003, now Pat. No. Des. 510,048, which is a continuation of application No. 29/170,049, filed on Oct. 30, 2002, now Pat. No. Des. 486,165.

DESCRIPTION

FIG. 1 is a front perspective view of a saw according to the invention, where FIGS. 1A–1B show the saw with a table in retracted and extended positions, respectively.

FIG. 2 is a rear perspective view showing the saw with a table in an extended position.

FIG. 3 is a left side elevational view, where FIGS. 3A–3B show the saw with a table in retracted and extended positions, respectively.

FIG. 4 is a right side elevational view, where FIGS. 4A–4B show the saw with a table in retracted and extended positions, respectively.

FIG. 5 is a top plan view, where FIGS. 5A–5B show the saw with a table in retracted and extended positions, respectively.

FIG. 6 is a front elevational view of the saw.

FIG. 7 is a rear elevational view of the saw; and,

FIG. 8 is a bottom plan view, where FIGS. 8A–8B show the saw with a table in retracted and extended positions, respectively.

In the above drawings, any views not shown thereof do not form a part of the invention. In addition, any wording or numerals shown therein does not form a part of the invention.

(51) **LOC (8) Cl.** **15-09**

(52) **U.S. Cl.** **D15/133**

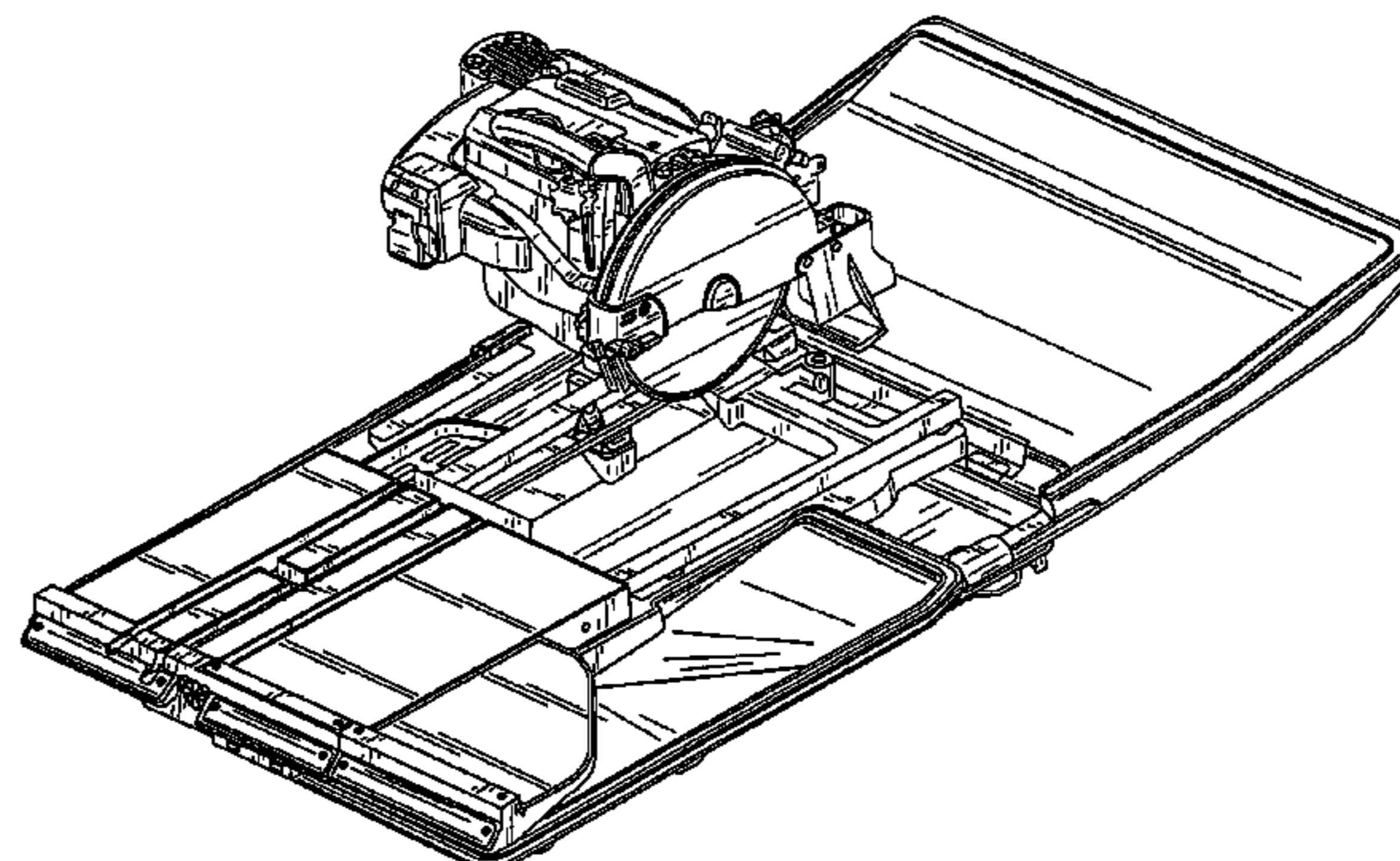
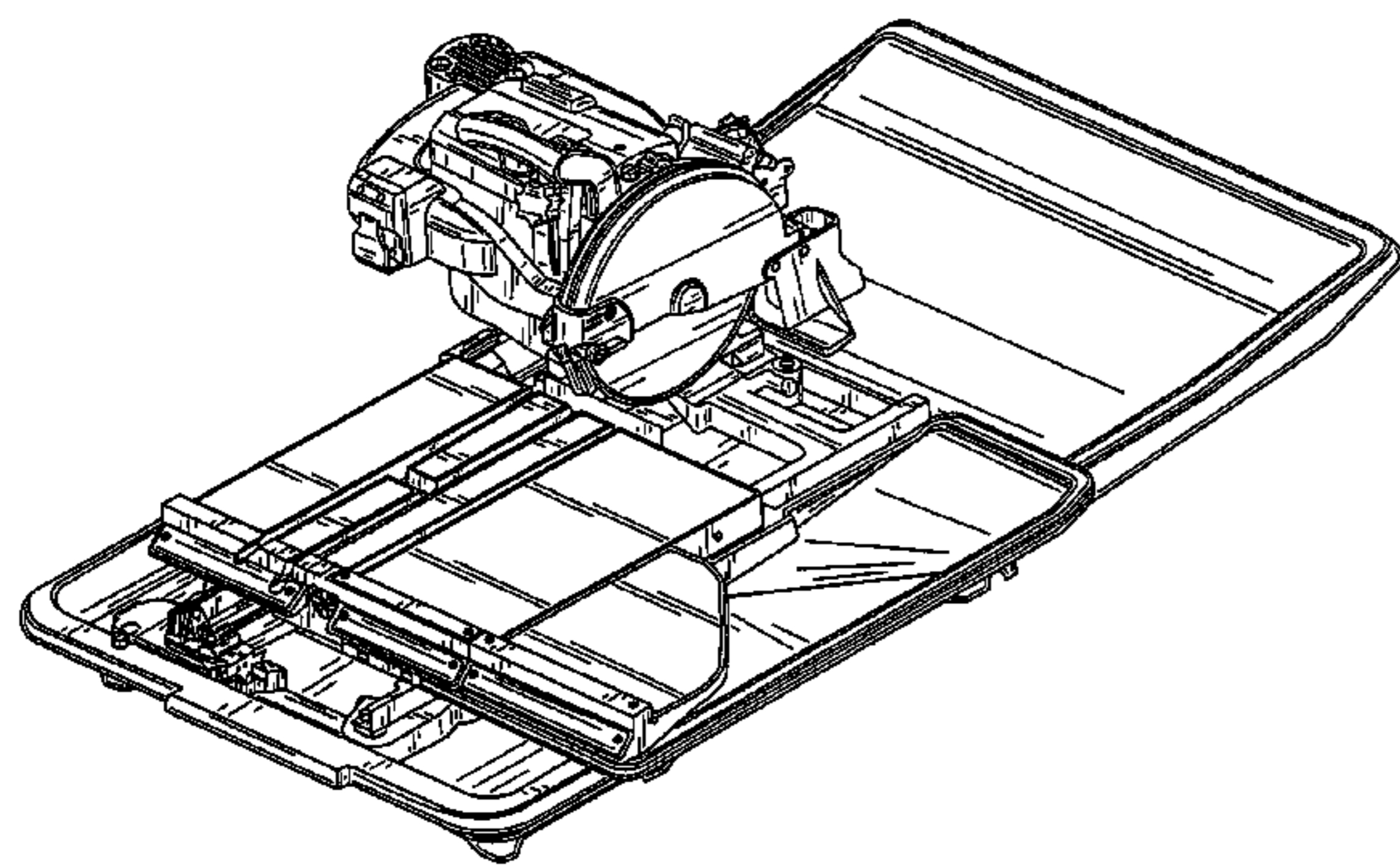
(58) **Field of Classification Search** D15/133;
30/377–378, 388–391, 517–525; 83/471.2,
83/471.3, 581, 472, 477.1, 477.2
See application file for complete search history.

(56) **References Cited**

U.S. PATENT DOCUMENTS

D372,484 S * 8/1996 Price et al. D15/133

1 Claim, 13 Drawing Sheets



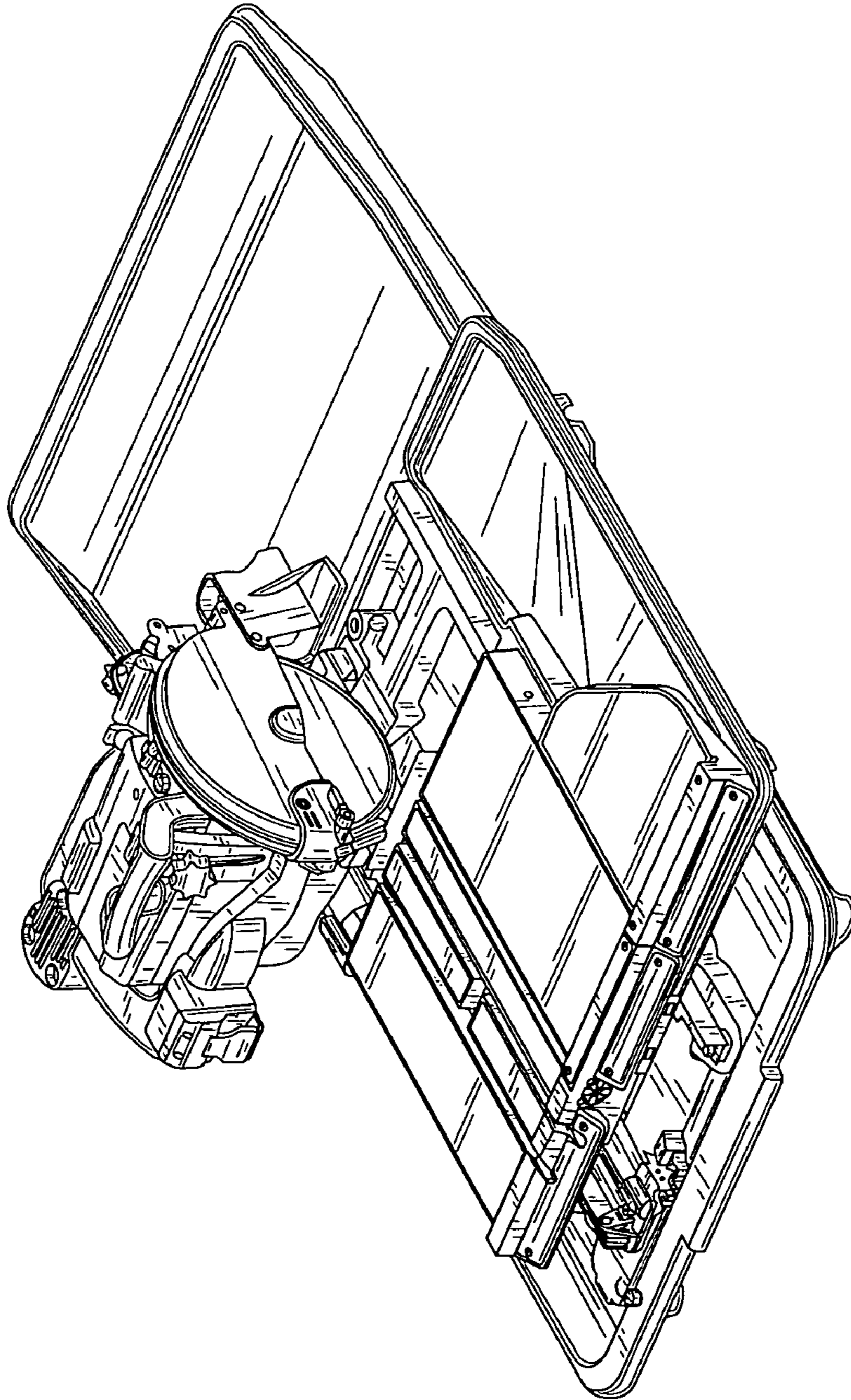


FIG. 1A

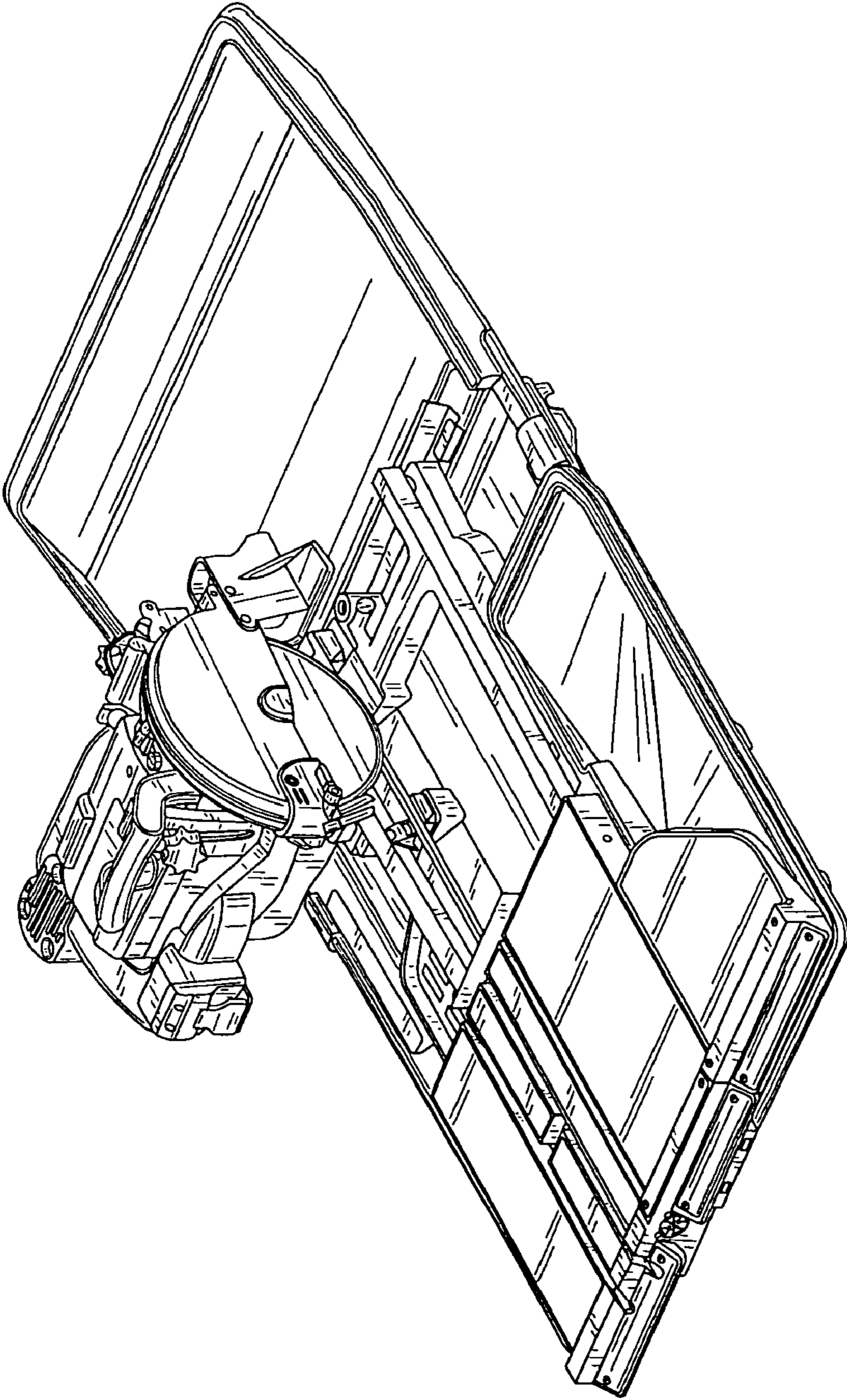


FIG. 1B

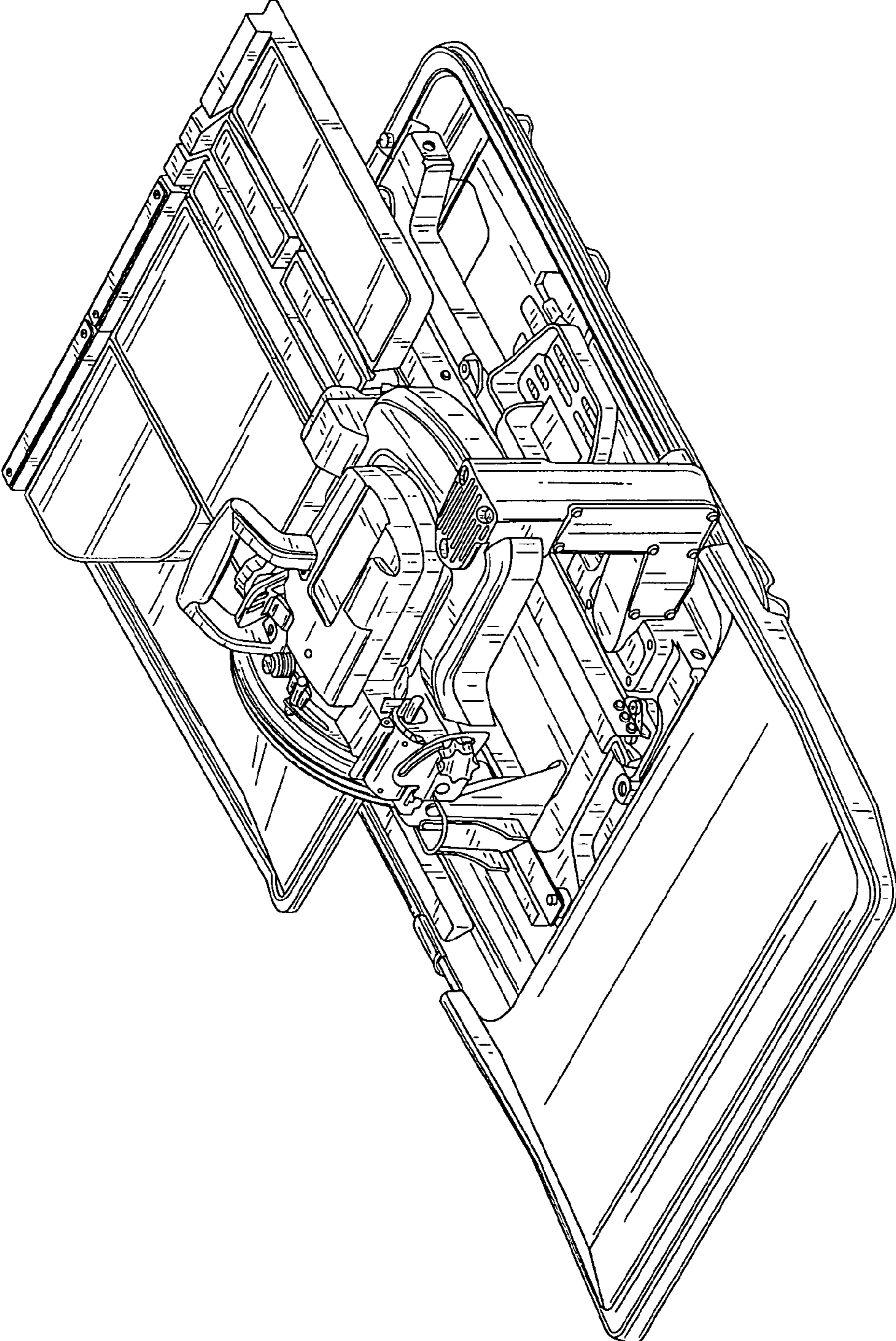


FIG. 2

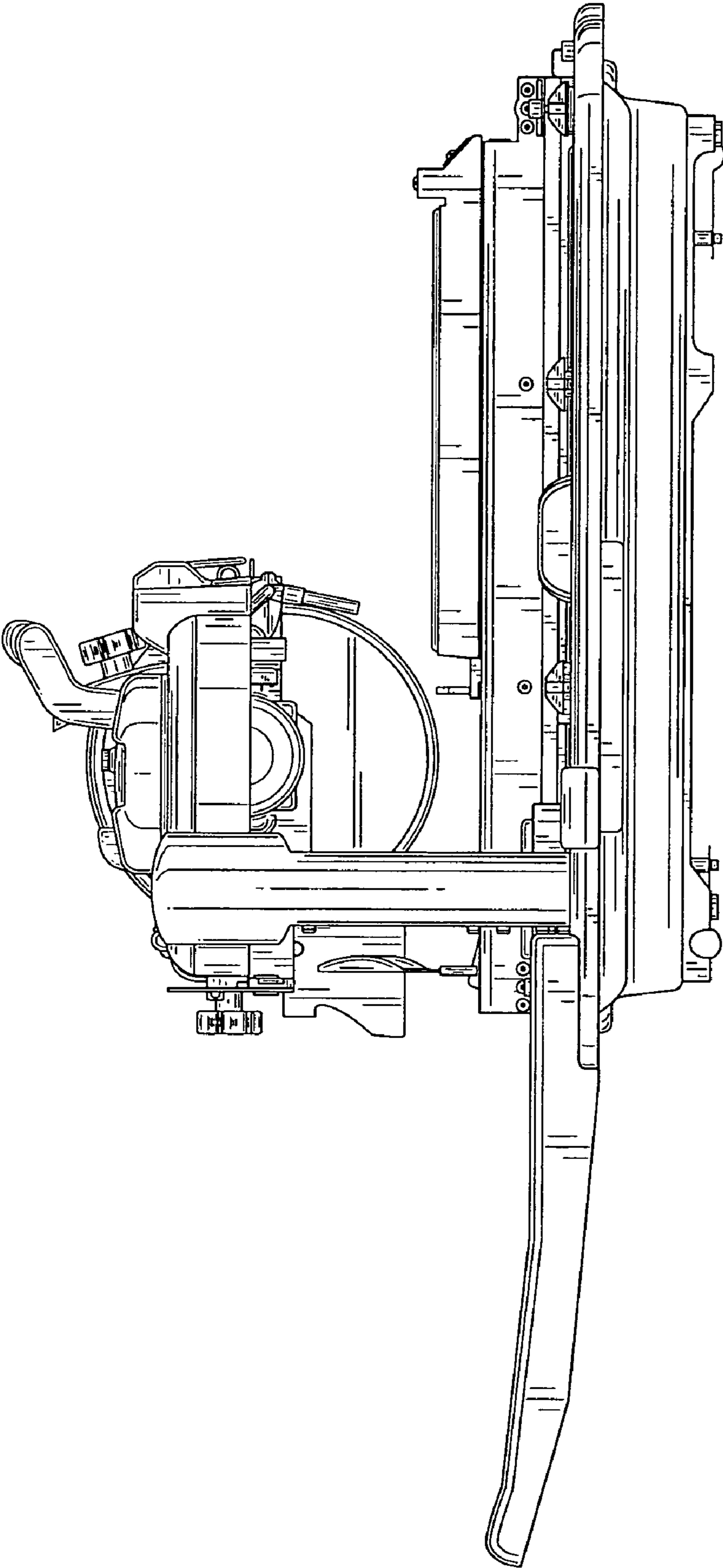


FIG. 3A

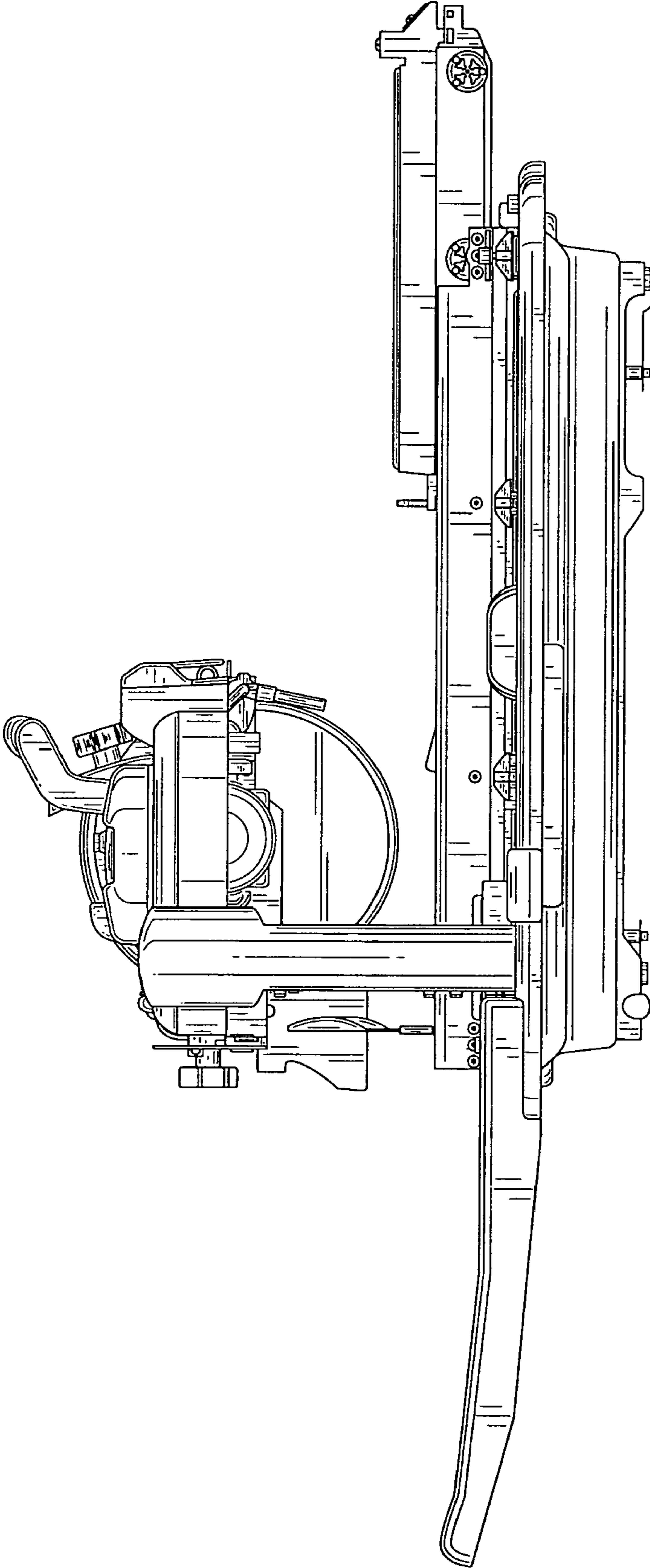


FIG. 3B

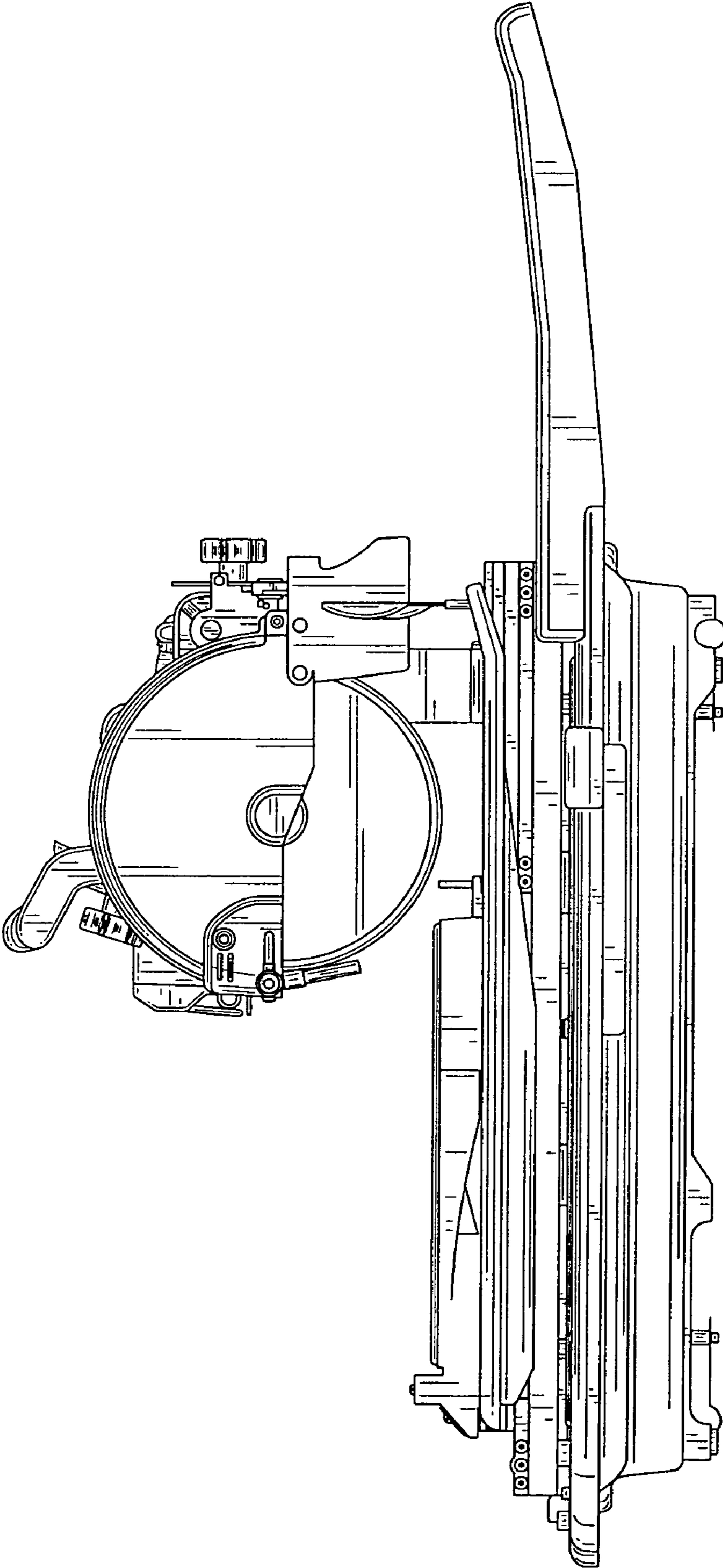


FIG. 4A

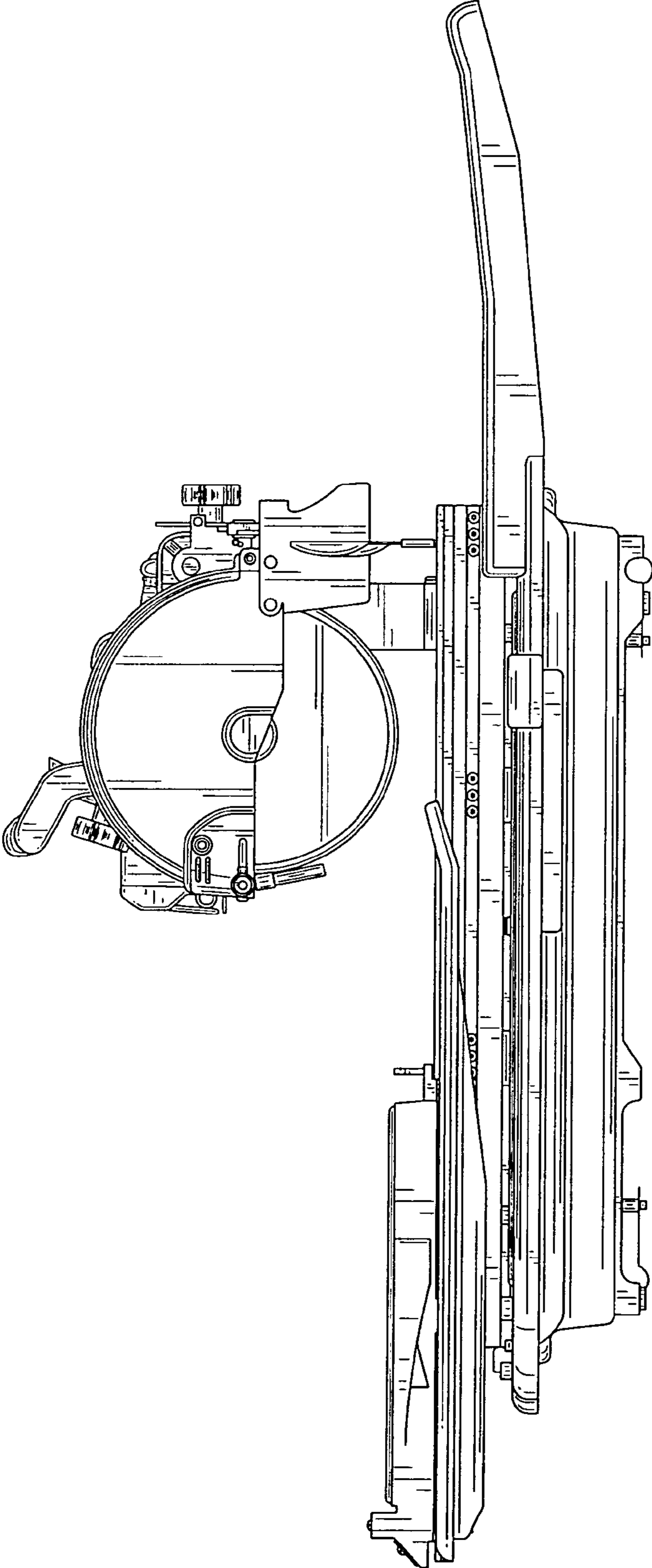


FIG. 4B

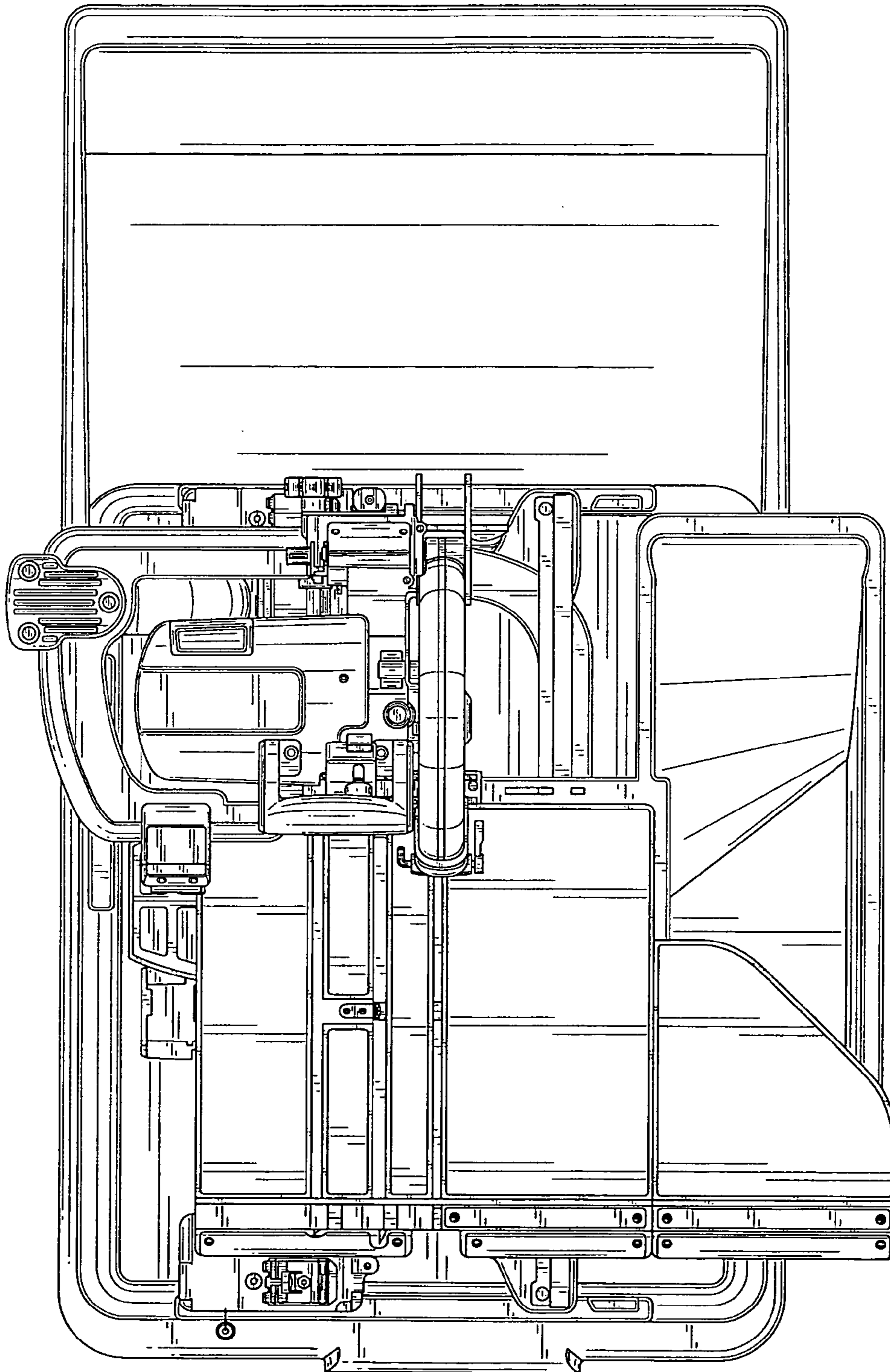


FIG. 5A

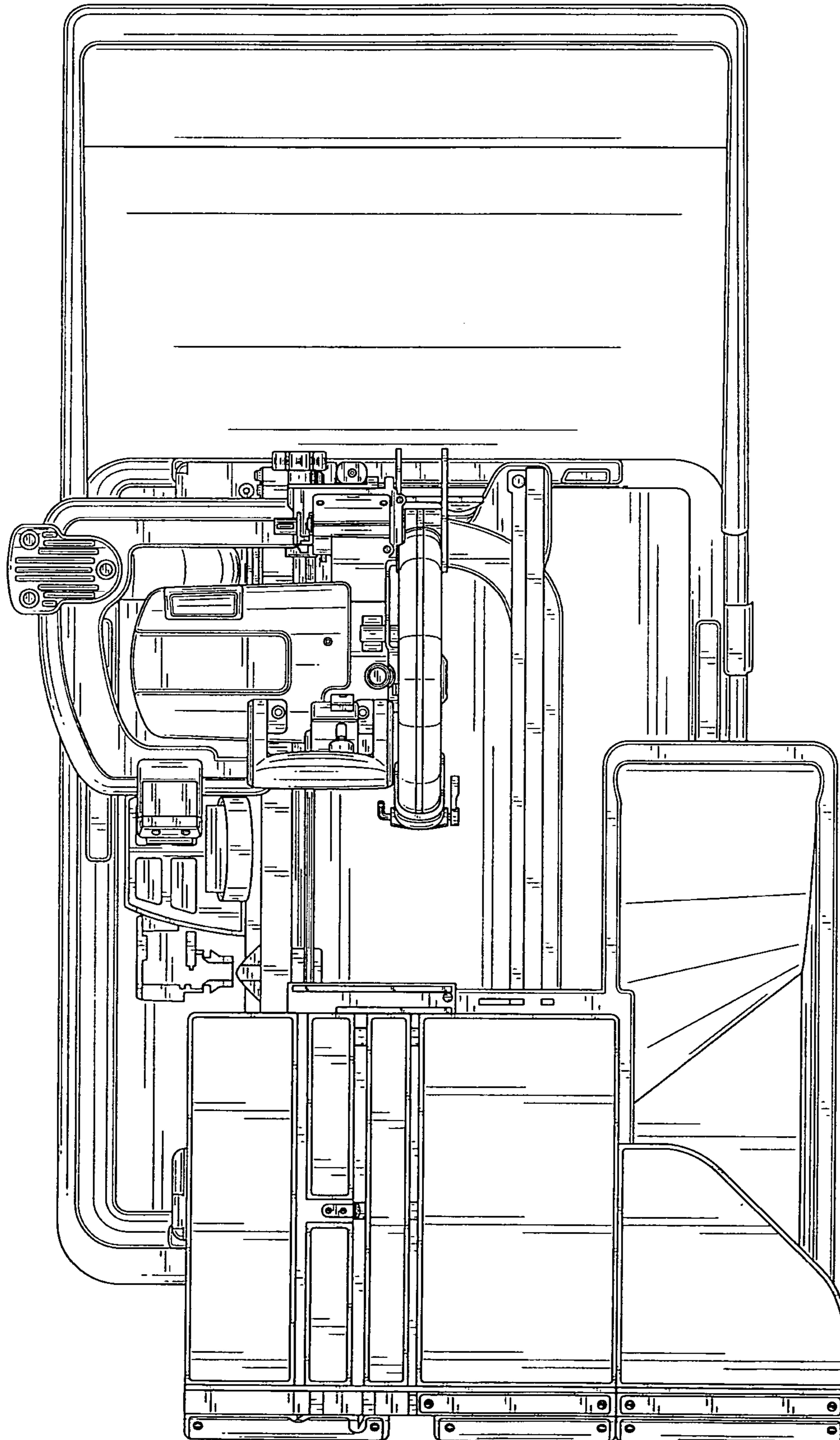


FIG. 5B

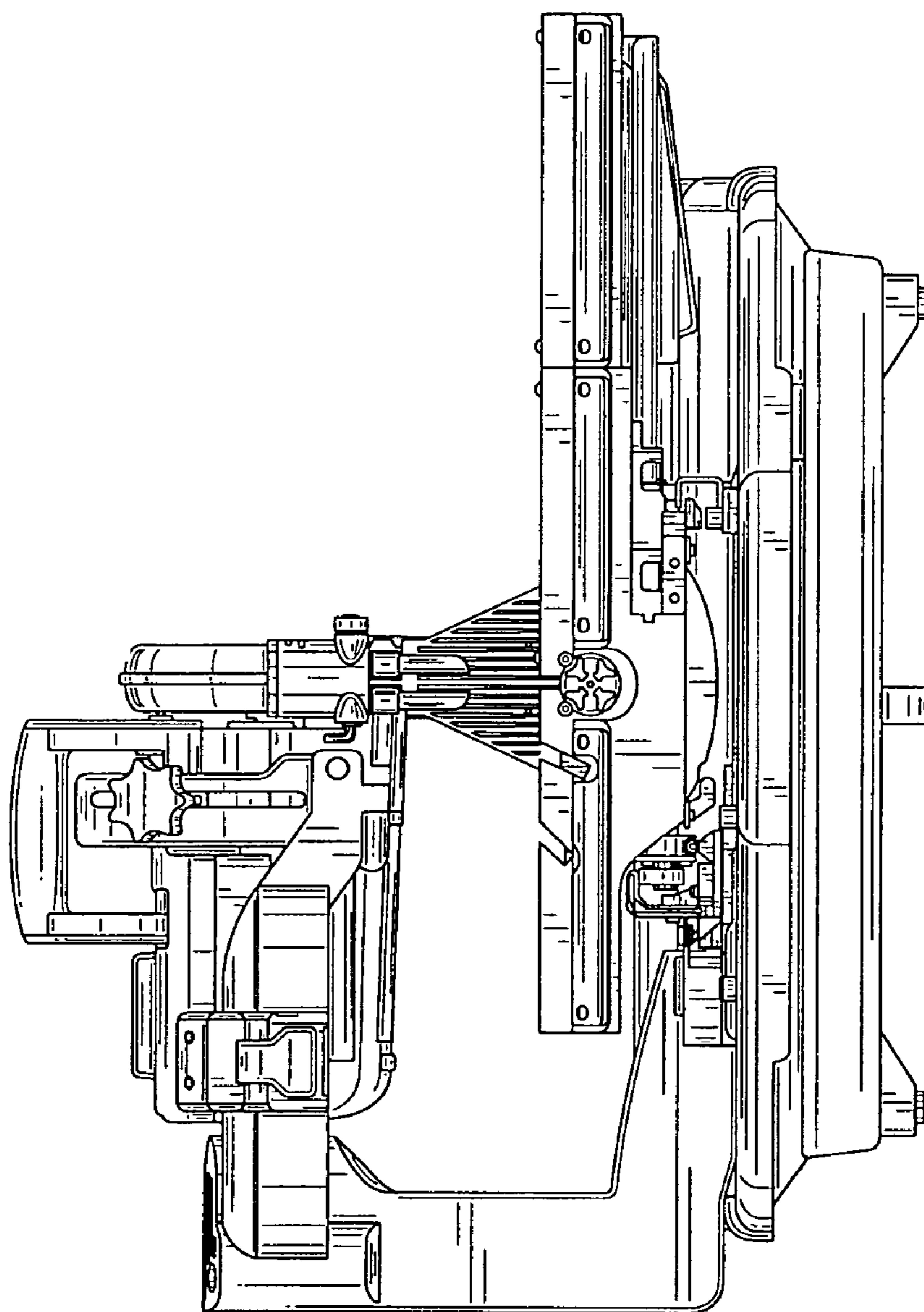


FIG. 6

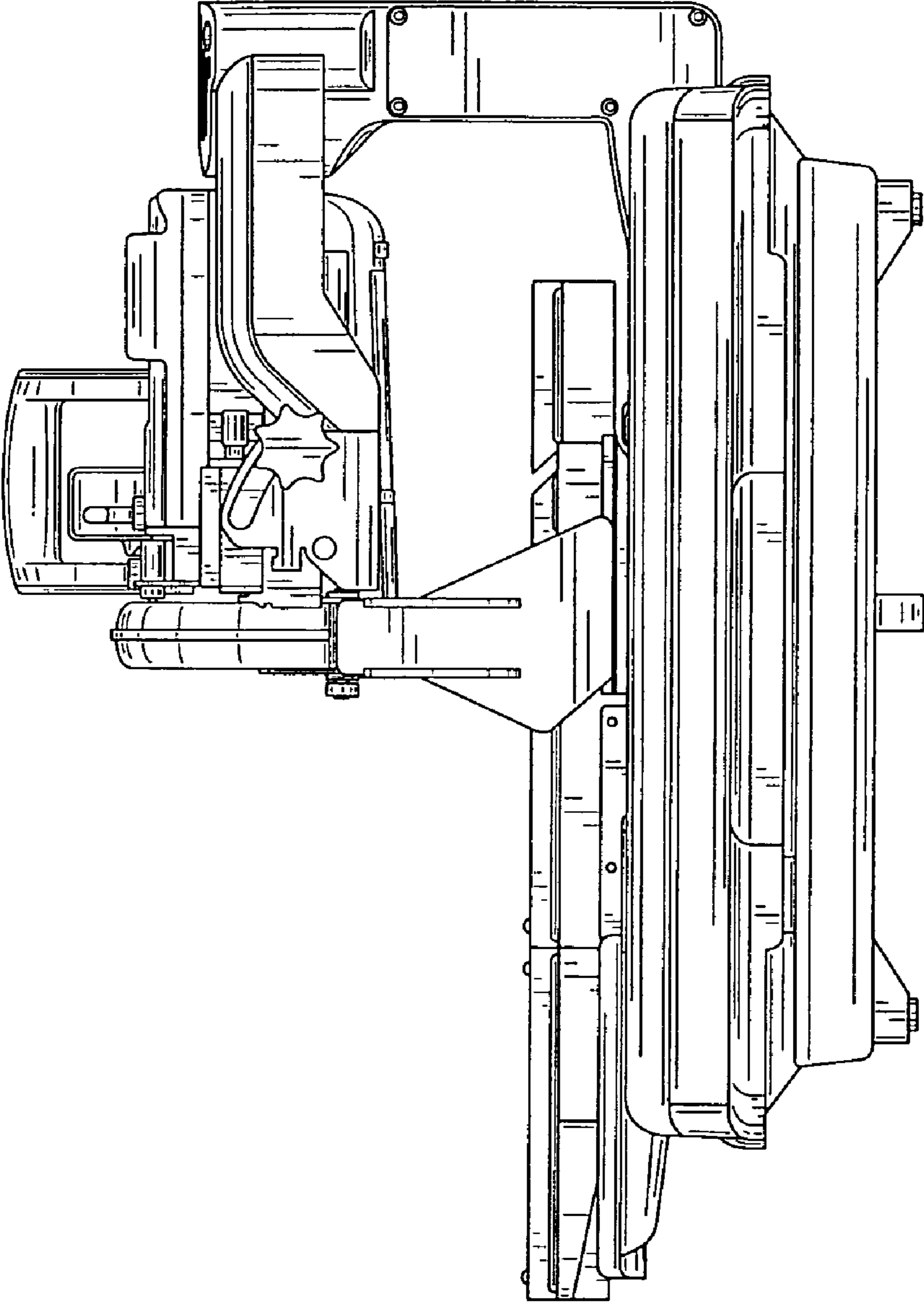


FIG. 7

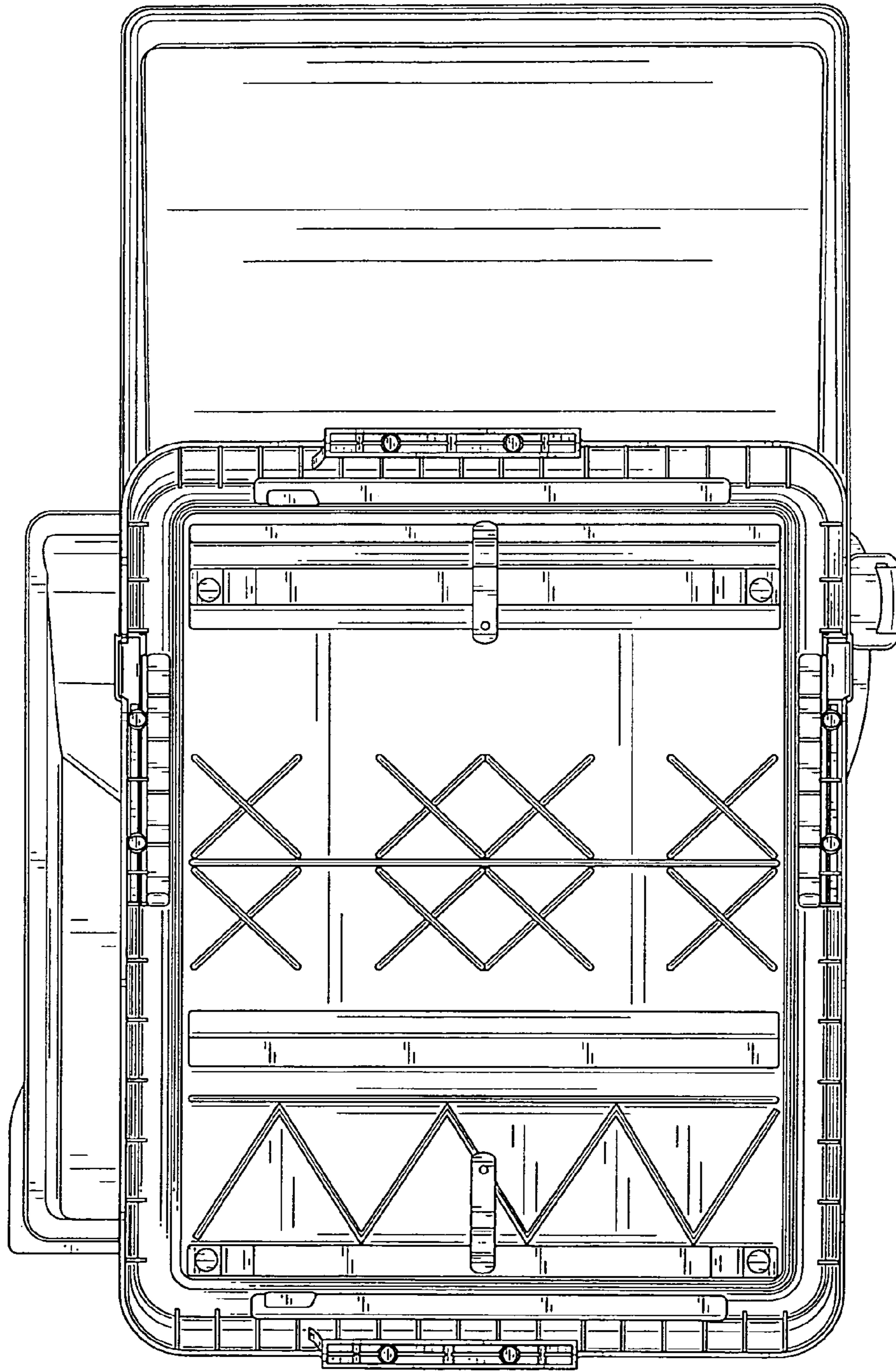


FIG. 8A

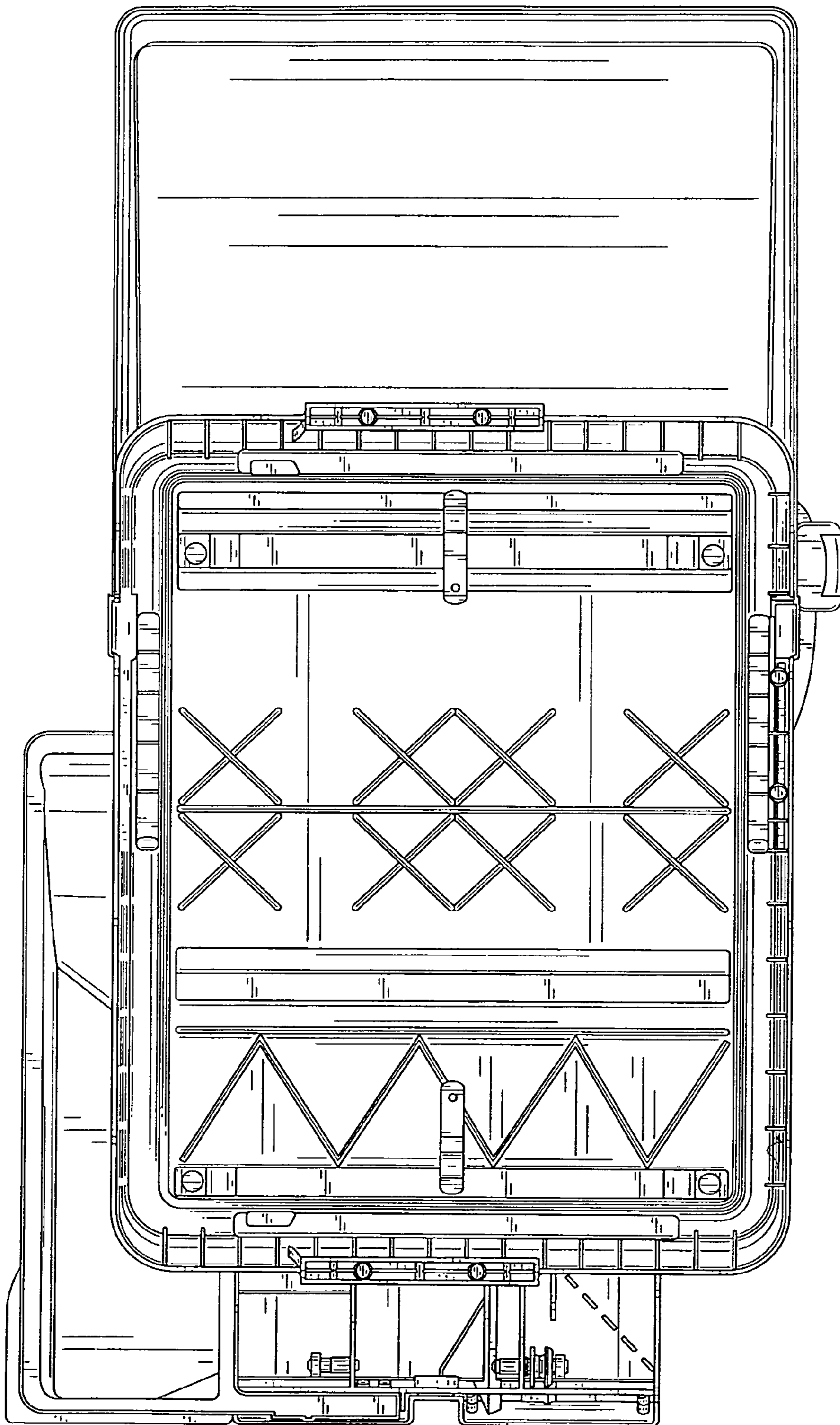


FIG. 8B

UNITED STATES PATENT AND TRADEMARK OFFICE
CERTIFICATE OF CORRECTION

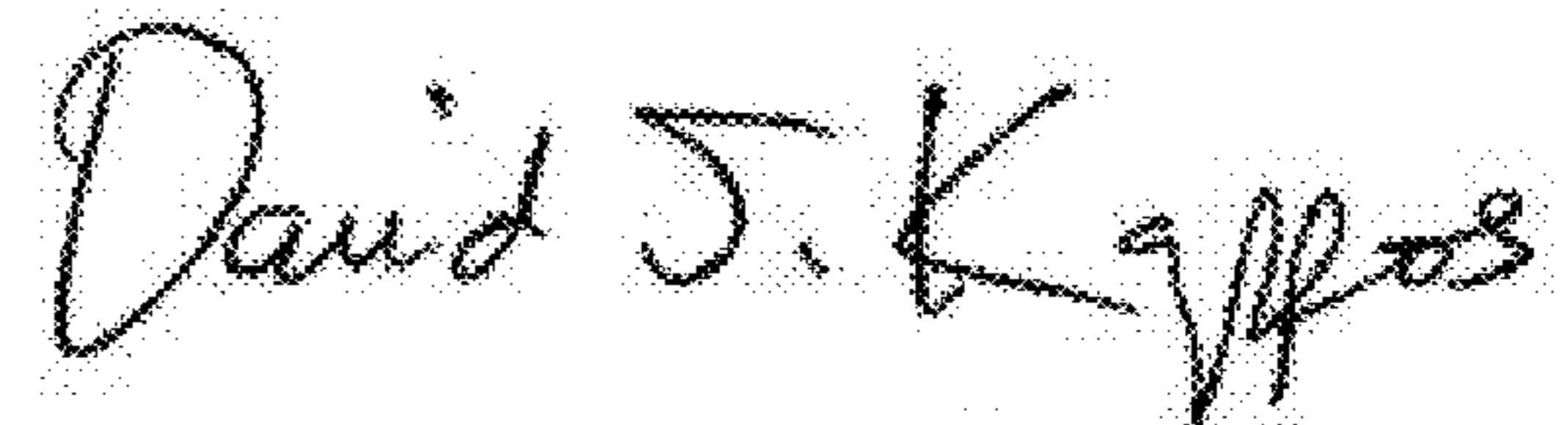
PATENT NO. : D571,830 S
APPLICATION NO. : 29/292328
DATED : June 24, 2008
INVENTOR(S) : Stuart J. Wright et al.

Page 1 of 1

It is certified that error appears in the above-identified patent and that said Letters Patent is hereby corrected as shown below:

Title Page, Item (75) Inventor(s): Peter Chalkowsky should be corrected to read Peter Chaikowsky

Signed and Sealed this
Twenty-sixth Day of April, 2011

A handwritten signature in black ink that reads "David J. Kappos". The signature is written in a cursive style with a large initial "D" and "K".

David J. Kappos
Director of the United States Patent and Trademark Office