



US00D571829S

(12) **United States Design Patent**  
**Welsh et al.**

(10) **Patent No.:** **US D571,829 S**  
(45) **Date of Patent:** **\*\* Jun. 24, 2008**

(54) **PORTIONS OF A TABLE SAW**

tinuation of application No. 29/103,366, filed on Apr. 13, 1999, now Pat. No. Des. 422,290.

(75) Inventors: **Robert P. Welsh**, Hunt Valley, MD (US);  
**David E. Duncanson**, W. Newbury, MA (US);  
**Mark A. Nichols**, Boston, MA (US);  
**Scott E. Stropkay**, Carlisle, MA (US)

(51) **LOC (8) Cl.** ..... **15-09**  
(52) **U.S. Cl.** ..... **D15/133**  
(58) **Field of Classification Search** ..... D15/133;  
83/432, 435, 468.7, 468.3, 477, 477.2, 478;  
144/287

(73) Assignee: **Black & Decker Inc.**, Newark, DE (US)

See application file for complete search history.

(\*\*) Term: **14 Years**

(56) **References Cited**

(21) Appl. No.: **29/284,594**

U.S. PATENT DOCUMENTS

(22) Filed: **Sep. 12, 2007**

D411,090 S \* 6/1999 Chang ..... D15/133  
D492,707 S \* 7/2004 Ceroll et al. .... D15/133  
D512,447 S \* 12/2005 Scholz ..... D15/133  
D545,330 S \* 6/2007 DiPasquale et al. .... D15/133

**Related U.S. Application Data**

\* cited by examiner

(63) Continuation of application No. 29/262,623, filed on Jul. 7, 2006, now Pat. No. Des. 554,672, which is a continuation of application No. 29/237,347, filed on Aug. 30, 2005, now Pat. No. Des. 527,032, which is a continuation of application No. 29/214,902, filed on Oct. 12, 2004, now Pat. No. Des. 514,604, and a continuation of application No. 29/183,330, filed on Jun. 10, 2003, now Pat. No. Des. 498,773, which is a continuation of application No. 29/162,688, filed on Jun. 19, 2002, now Pat. No. Des. 479,538, which is a continuation of application No. 29/144,360, filed on Jun. 29, 2001, now Pat. No. Des. 461,456, which is a continuation of application No. 29/132,607, filed on Nov. 9, 2000, now Pat. No. Des. 447,497, which is a continuation of application No. 29/121,606, filed on Apr. 11, 2000, now Pat. No. Des. 440,239, which is a continuation of application No. 29/111,726, filed on Oct. 1, 1999, now Pat. No. Des. 427,214, which is a con-

*Primary Examiner*—Antoine D Davis  
(74) *Attorney, Agent, or Firm*—Adan Ayala

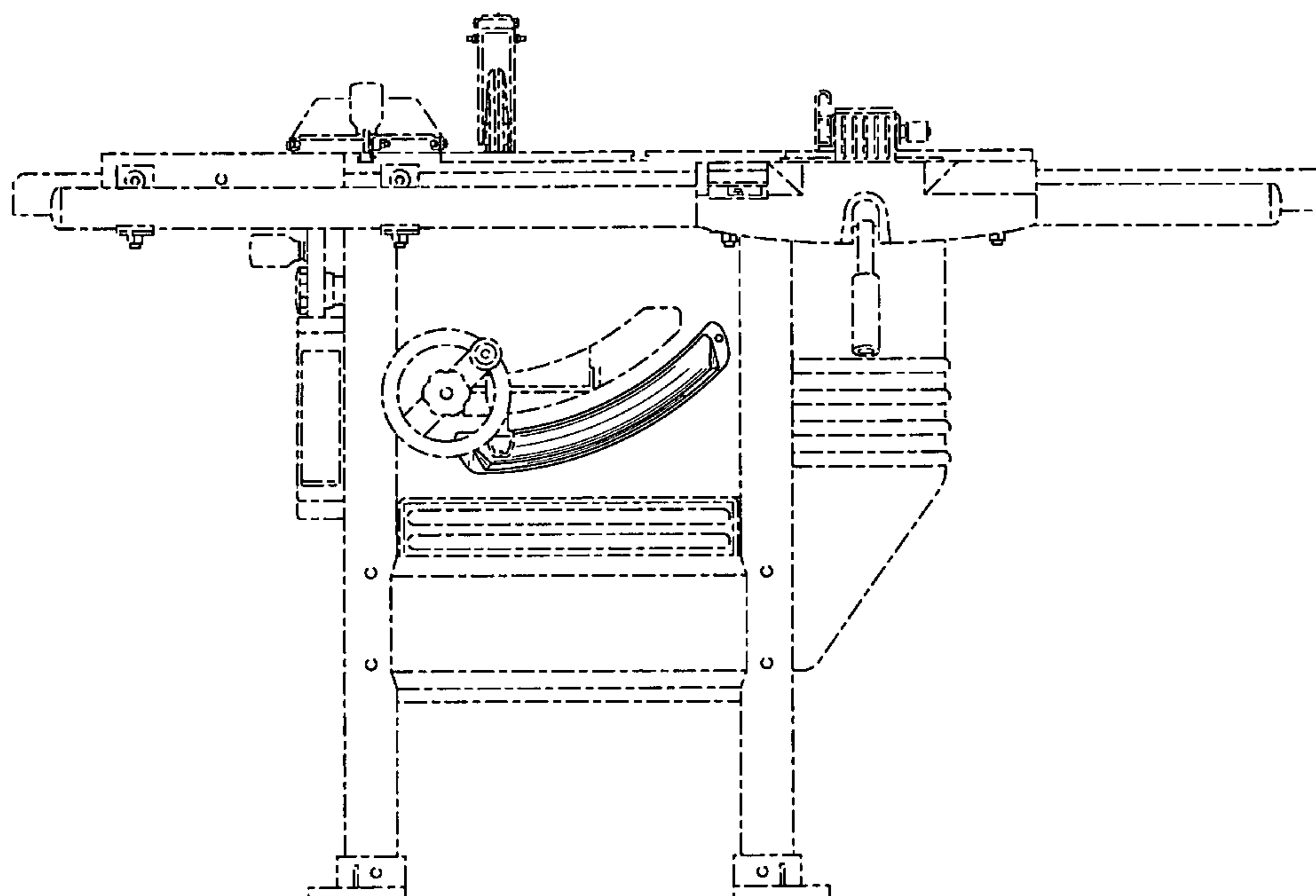
(57) **CLAIM**

The ornamental design for portions of a table saw, as shown and described.

**DESCRIPTION**

FIG. 1 is a front elevational view of portions of a table saw according to the invention; and,  
FIG. 2 is a front perspective view thereof.  
The broken line showing of a table saw is for illustrative purposes only and forms no part of the claimed design.

**1 Claim, 2 Drawing Sheets**



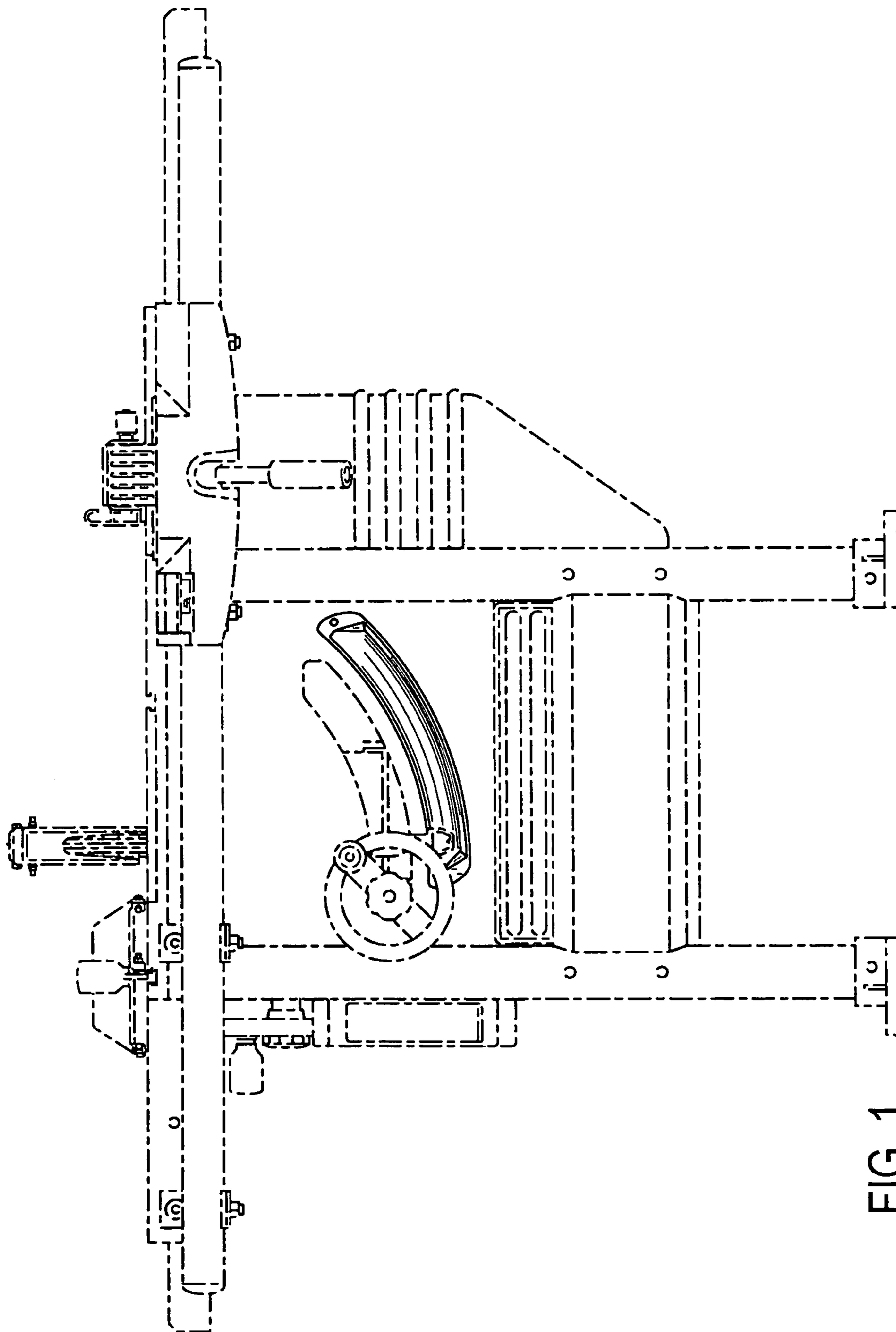


FIG. 1

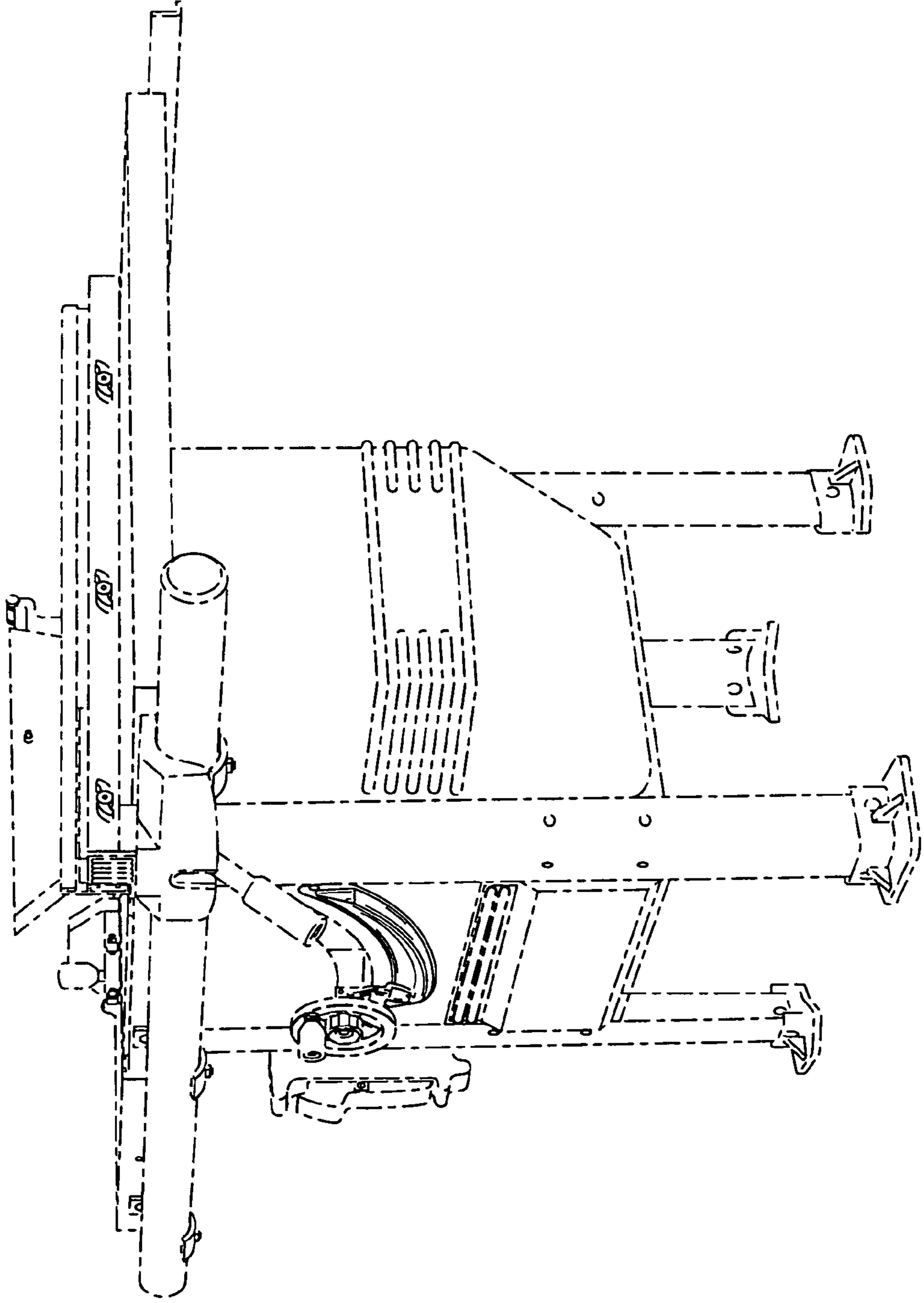


FIG. 2