



US00D571828S

(12) **United States Design Patent**
Braun et al.

(10) **Patent No.:** **US D571,828 S**
(45) **Date of Patent:** **** *Jun. 24, 2008**

(54) **GRILLE**
(75) Inventors: **Joseph E. Braun**, Milwaukee, WI (US);
Jack L. Vaughn, Muskego, WI (US);
Thomas W. Rand, Cedarburg, WI (US)

(73) Assignee: **U-Line Corporation**, Milwaukee, WI (US)

(*) Notice: This patent is subject to a terminal disclaimer.

(**) Term: **14 Years**

(21) Appl. No.: **29/248,714**

(22) Filed: **Aug. 30, 2006**

(51) **LOC (8) Cl.** **15-07**

(52) **U.S. Cl.** **D15/89**

(58) **Field of Classification Search** D15/79-89,
D15/91, 31; D14/219; D6/470, 472, 509;
D7/387, 409; D12/163, 216; D23/335, 381,
D23/382

See application file for complete search history.

(56) **References Cited**

U.S. PATENT DOCUMENTS

D334,201 S *	3/1993	Purkapile	D15/89
D365,110 S *	12/1995	Klein, III	D15/85
D386,502 S *	11/1997	Sholl	D15/79
D402,138 S *	12/1998	Trulaske, Sr.	D6/470
D416,713 S *	11/1999	Trulaske, Sr.	D6/470
D439,914 S *	4/2001	Trulaske, Sr.	D6/509
D444,966 S *	7/2001	Trulaske et al.	D6/472
D518,836 S *	4/2006	Reese et al.	D15/89
D519,528 S *	4/2006	Reese	D15/89

D520,030 S *	5/2006	Reese et al.	D15/89
D520,532 S *	5/2006	Reese et al.	D15/89
D520,533 S *	5/2006	Reese et al.	D15/89

* cited by examiner

Primary Examiner—Stella Reid

Assistant Examiner—Shanda L. Hill

(74) *Attorney, Agent, or Firm*—Quarles & Brady LLP

(57) **CLAIM**

The ornamental design for a grille, as shown and described.

DESCRIPTION

In a preferred embodiment, the nature of this product is as grille for a cooling unit, such as a compact refrigerator, freezer, beverage cooler, ice maker, combinations thereof and the like.

FIG. 1 is a right, top, front perspective view of the grille embodying our new design;

FIG. 2 is a front elevational view thereof;

FIG. 3 is a top plan view thereof;

FIG. 4 is a right side elevational view thereof, the left side elevational view thereof being a mirror image of the right side shown;

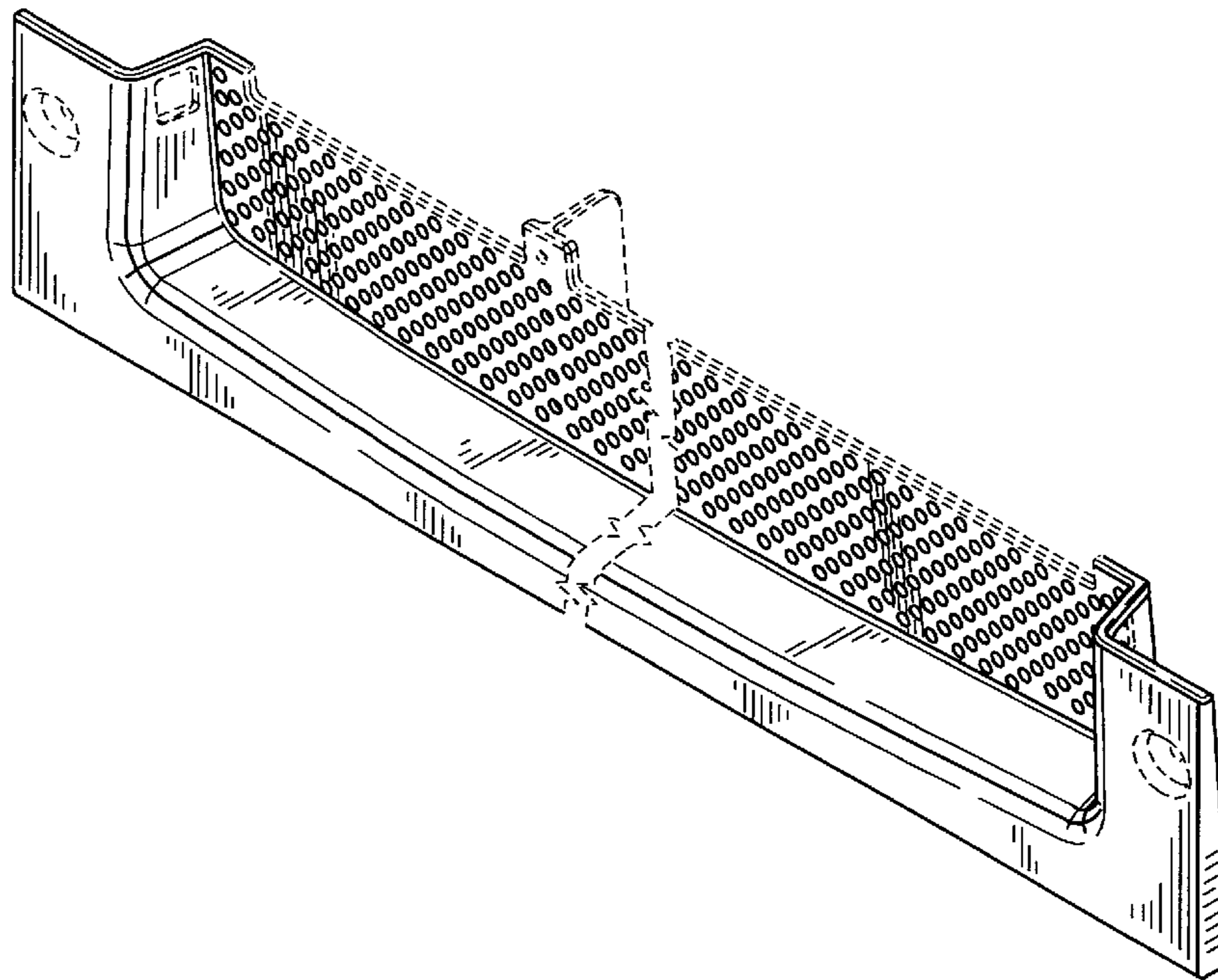
FIG. 5 is a bottom plan view thereof; and,

FIG. 6 is a rear elevational view thereof.

The broken line representations in the figures are for the purpose of illustration only, and form no part of the claimed design.

The dashed line break shown in the drawing disclosure is meant to represent indeterminate length.

1 Claim, 3 Drawing Sheets



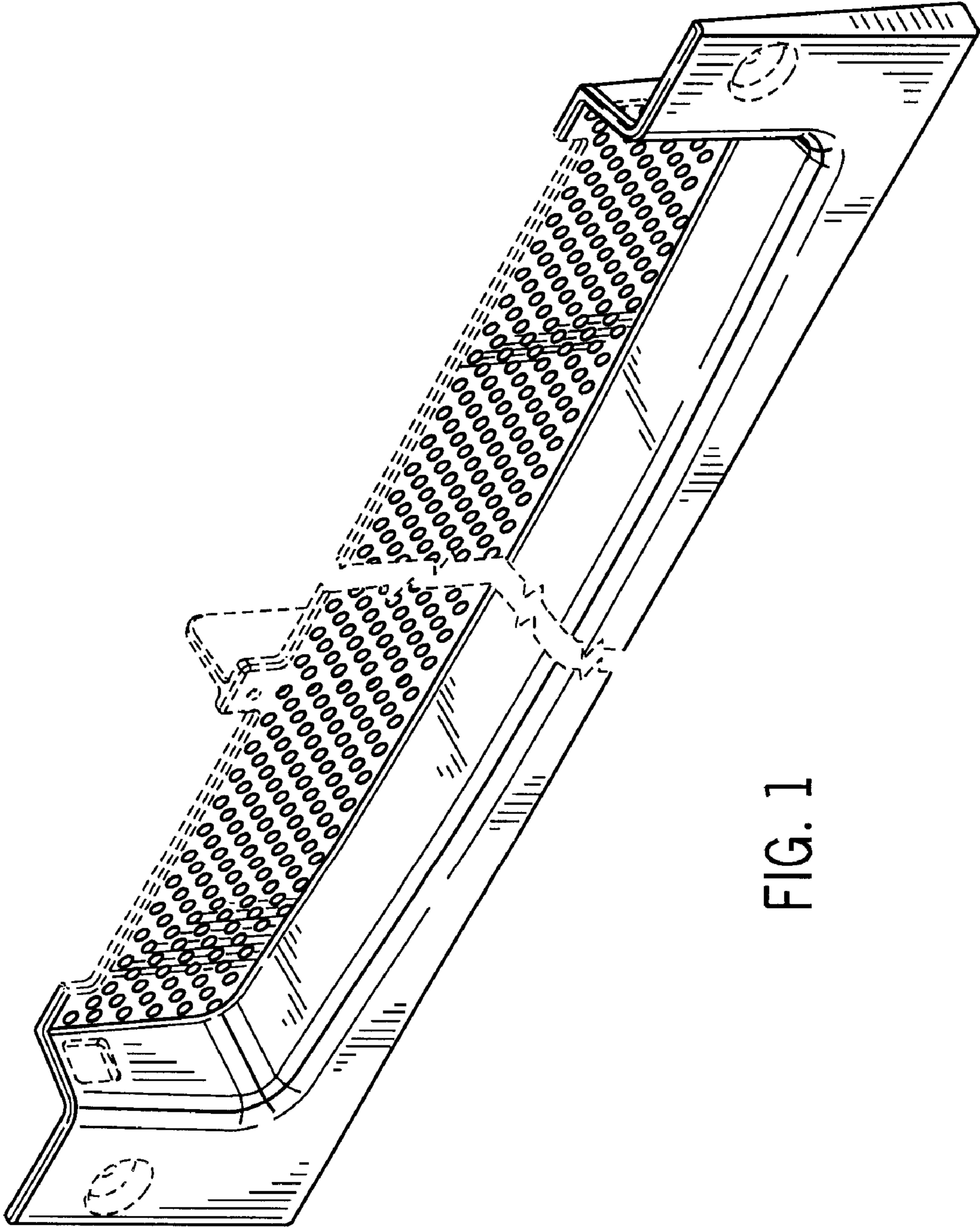


FIG. 1

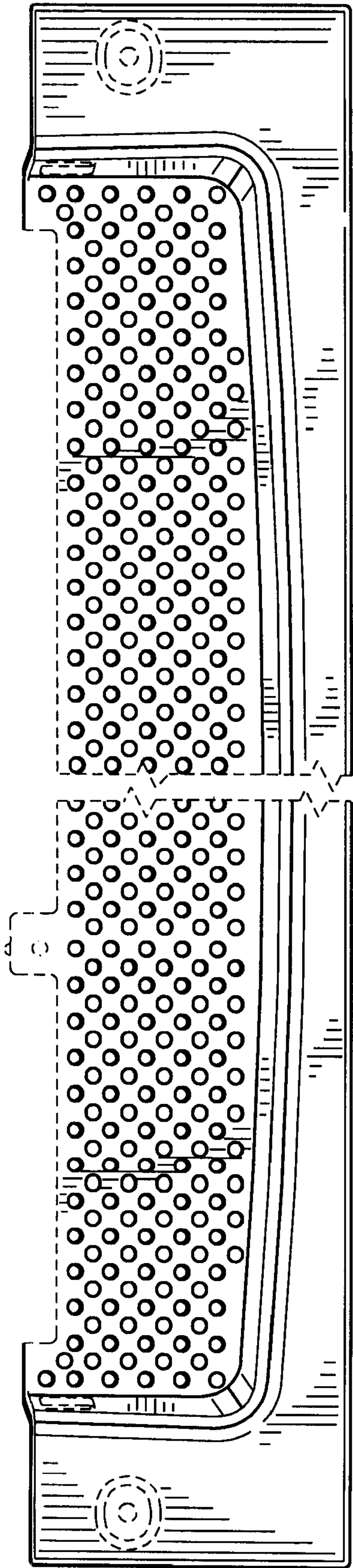


FIG. 2

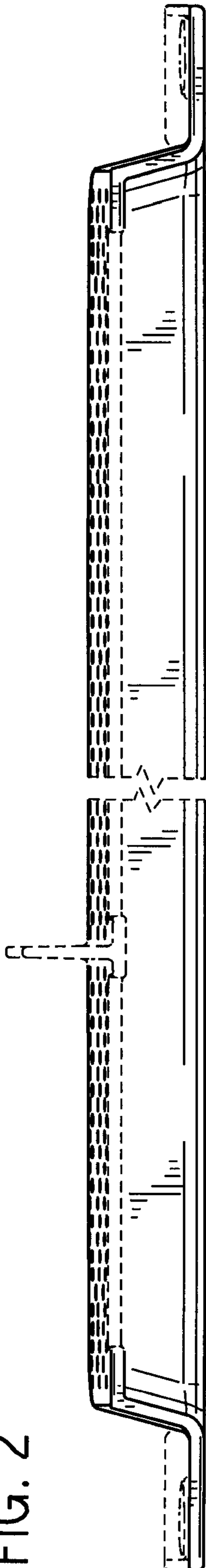


FIG. 3

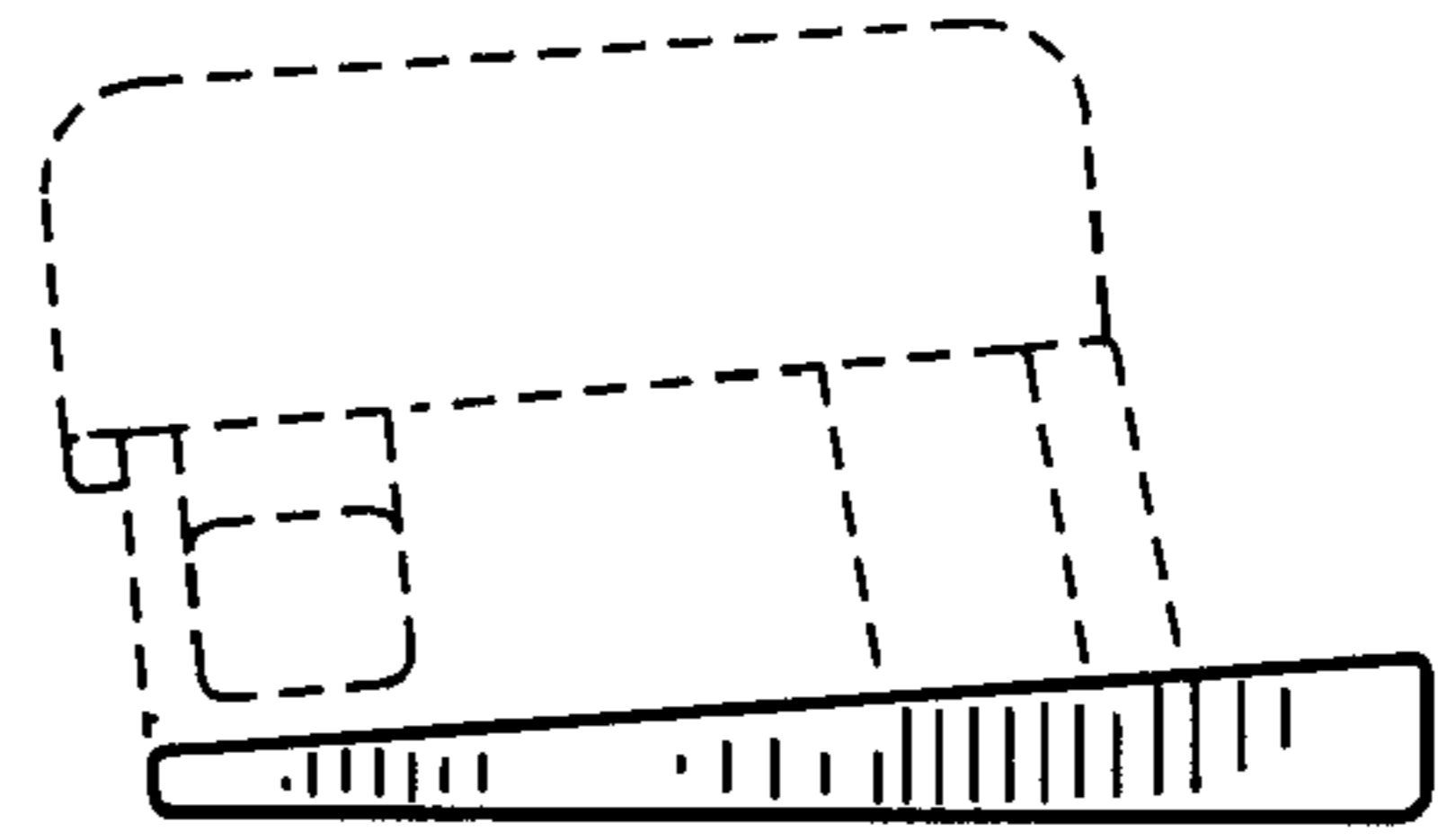


FIG. 4

FIG. 5

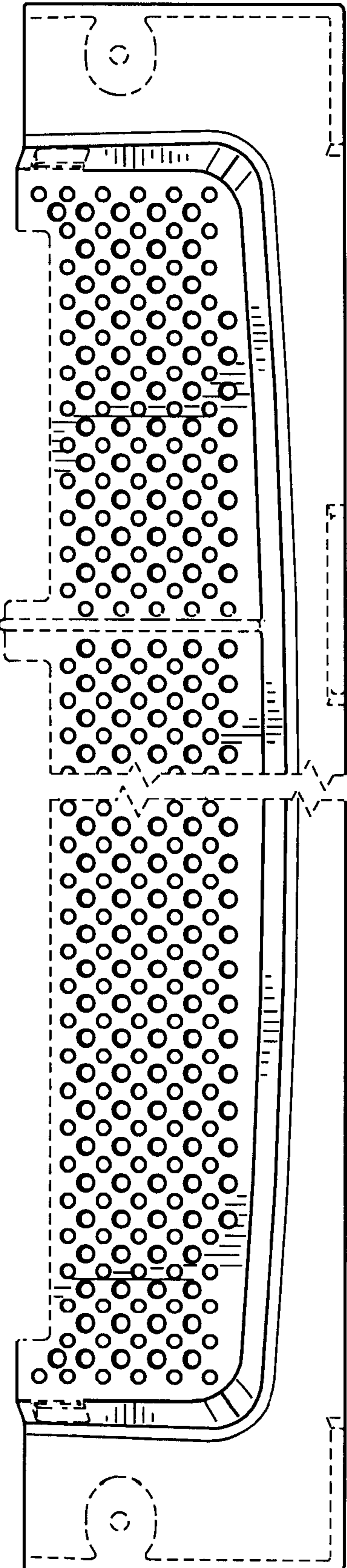
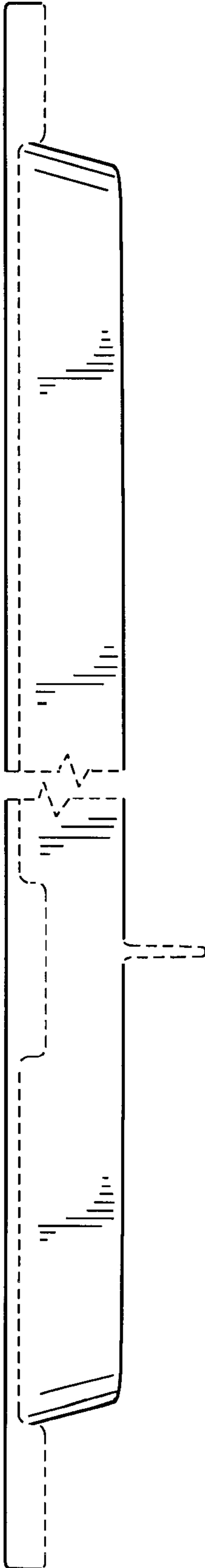


FIG. 6