



US00D571827S

(12) **United States Design Patent**  
**Sewell et al.**

(10) **Patent No.:** **US D571,827 S**  
(45) **Date of Patent:** **\*\* Jun. 24, 2008**

(54) **TWO WHEEL ARTICULATED TOOL CARRIER CHASSIS**

4,322,899 A \* 4/1982 Clune ..... 37/352  
D266,765 S \* 11/1982 Clune ..... D15/21

(75) Inventors: **Cody L. Sewell**, Perry, OK (US); **Jacob A. Hamburger**, Perry, OK (US); **Dennis E. Bass**, Perry, OK (US); **Stephen G. Miggels**, Wyckoff, NJ (US); **Christopher Barrow**, Queens Village, NY (US); **Henry Mack**, Phillipsburg, NJ (US)

(Continued)

**OTHER PUBLICATIONS**

Burkeen Manufacturing Company, "TP16 Trencher-Plow", brochure, Olive Branch, Mississippi.

Burkeen Equipment & Supply Company, Walk Behind Trencher/Plow, advertisement, 1981, Memphis Tennessee.

Davis, "Davis Fleetline 12+2", brochure.

*Primary Examiner*—Stella M. Reid

*Assistant Examiner*—Mark A Goodwin

(74) *Attorney, Agent, or Firm*—Tomlinson & O'Connell, PC

(73) Assignee: **The Charles Machine Works, Inc.**, Perry, OK (US)

(\*\*) Term: **14 Years**

(21) Appl. No.: **29/295,186**

(22) Filed: **Sep. 21, 2007**

(51) **LOC (8) Cl.** ..... **15-03**

(52) **U.S. Cl.** ..... **D15/22; D15/10**

(58) **Field of Classification Search** ..... D15/10,  
D15/11, 12, 21, 22, 23, 33; D12/14, 15;  
D34/16, 18, 19; 56/2; 172/256, 329, 332,  
172/351, 354, 42-48; 280/418; 37/352,  
37/363, 86, 191 A, 192 A, 465, 362, 421,  
37/422; 180/6.64, 8.3, 418, 305, 19.1, 89.12;  
414/744.1, 685-688, 699, 680; 298/1 C,  
298/22 R, 7

See application file for complete search history.

(56) **References Cited**

**U.S. PATENT DOCUMENTS**

D153,255 S *	4/1949	Boza	.....	D34/16
D159,877 S *	8/1950	Whiteman	.....	D12/15
D159,987 S *	9/1950	Jones	.....	D34/16
D166,817 S *	5/1952	Miller et al.	.....	D34/16
2,835,055 A *	5/1958	Hermes	.....	37/363
2,990,631 A *	7/1961	Brown	.....	37/363
D195,254 S *	5/1963	Keller et al.	.....	D15/25
D196,297 S *	9/1963	Malzahn	.....	D15/22
D205,485 S *	8/1966	Juhl et al.	.....	D15/25
4,222,186 A *	9/1980	Molby	.....	37/410

(57) **CLAIM**

The ornamental design for a two wheel articulated tool carrier chassis, as shown and described.

**DESCRIPTION**

FIG. 1 is a left side view of a two wheel articulated tool carrier chassis showing our new design;

FIG. 2 is a rear view thereof;

FIG. 3 is a front view thereof;

FIG. 4 is a right side view thereof;

FIG. 5 is a top view thereof;

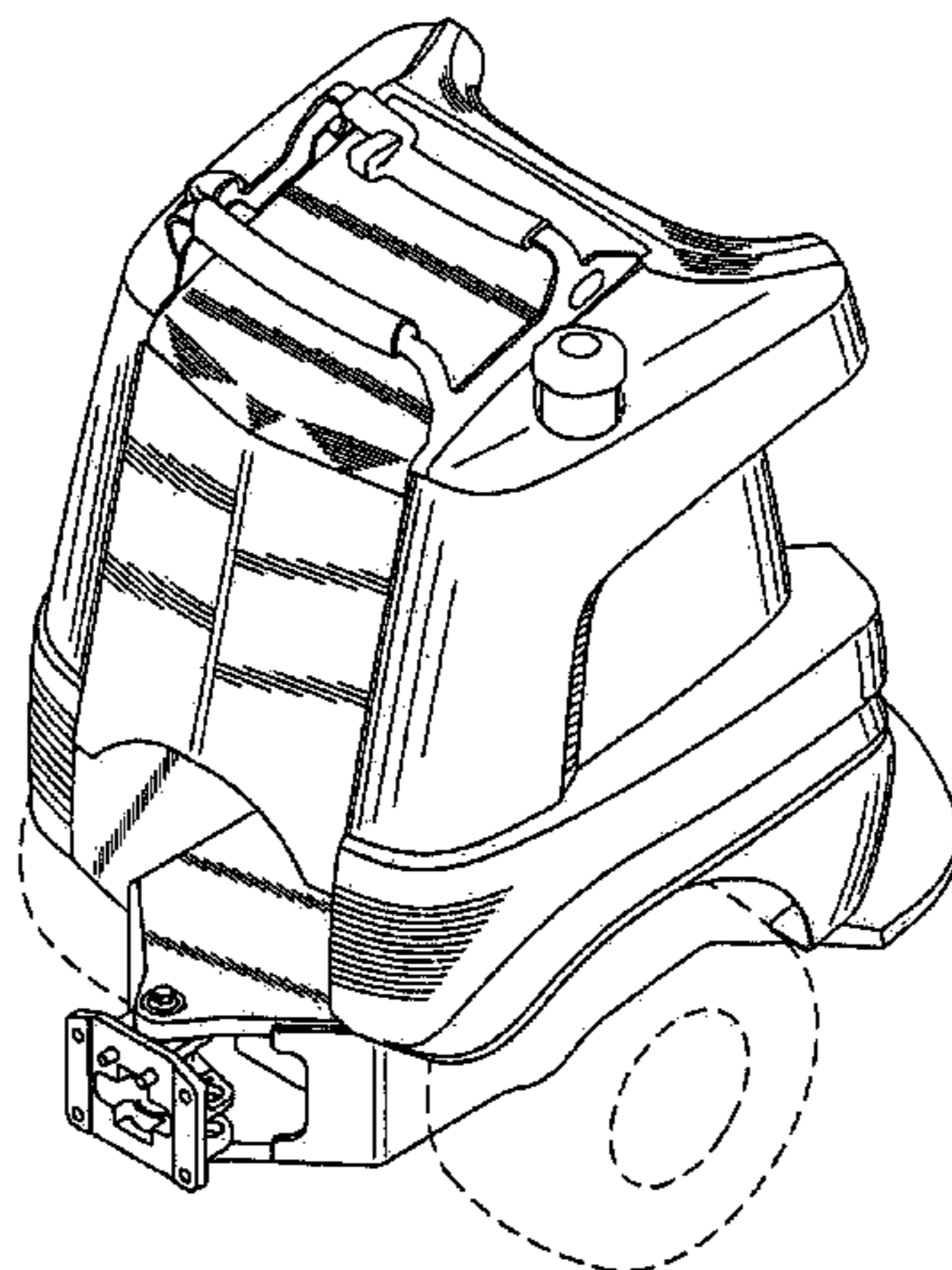
FIG. 6 is a bottom view thereof;

FIG. 7 is a front top left perspective view thereof; and,

FIG. 8 is front top right perspective view.

The broken line showing of the wheels is included for the purpose of illustrating portions of the two wheel articulated tool carrier chassis and forms no part of the claimed design.

**1 Claim, 8 Drawing Sheets**



# US D571,827 S

Page 2

## U.S. PATENT DOCUMENTS

4,401,408	A *	8/1983	Gibert	.....	414/687	6,578,924	B2 *	6/2003	Jansen et al.	.....	298/1 C
4,402,352	A *	9/1983	Hodges	.....	144/24.12	D479,535	S *	9/2003	Lange	.....	D15/25
D281,428	S *	11/1985	Kent	.....	D15/21	6,619,754	B1 *	9/2003	Dombek et al.	.....	298/1 C
D294,032	S *	2/1988	Whiffin	.....	D15/25	6,715,579	B1 *	4/2004	Hendron	.....	280/764.1
4,896,442	A *	1/1990	Stiff et al.	.....	37/355	6,766,601	B2 *	7/2004	Dickins	.....	37/363
D319,063	S *	8/1991	Warren	.....	D15/21	6,830,111	B2 *	12/2004	Page	.....	172/42
5,212,896	A *	5/1993	Hillard et al.	.....	37/355	6,848,526	B2 *	2/2005	Burt et al.	.....	180/69.4
5,228,221	A *	7/1993	Hillard et al.	.....	37/355	6,860,043	B1 *	3/2005	Heise et al.	.....	37/352
D359,497	S *	6/1995	Rayner	.....	D15/25	6,889,793	B2 *	5/2005	Okada et al.	.....	180/435
D410,313	S *	5/1999	Dombek et al.	.....	D34/19	6,955,404	B1 *	10/2005	Best et al.	.....	298/1 C
D431,574	S *	10/2000	Porter	.....	D15/25	6,962,209	B2 *	11/2005	Isaman et al.	.....	172/19
6,151,811	A	11/2000	Barreto	.....		6,997,667	B2 *	2/2006	Hackett et al.	.....	414/685
6,155,648	A *	12/2000	Dombek et al.	.....	298/1 C	D555,673	S *	11/2007	Hendron et al.	.....	D15/22
D438,218	S *	2/2001	McIlwraith	.....	D15/25	2001/0000641	A1 *	5/2001	Dombek et al.	.....	298/7
6,322,151	B2 *	11/2001	Dombek et al.	.....	298/1 C	2001/0040405	A1 *	11/2001	Jansen et al.	.....	298/1 C
6,397,667	B1	6/2002	Fujii	.....		2003/0095857	A1 *	5/2003	Degelman	.....	414/685
6,397,967	B1 *	6/2002	McIlwraith	.....	180/308	2003/0221399	A1 *	12/2003	Hall	.....	56/2
6,425,452	B1 *	7/2002	Steiner et al.	.....	180/233	2006/0119164	A1 *	6/2006	Heskin	.....	298/1 C
D463,454	S *	9/2002	Miller et al.	.....	D15/22	2007/0131437	A1 *	6/2007	Sewell	.....	172/256
						2007/0132204	A1 *	6/2007	Sewell	.....	280/418

\* cited by examiner

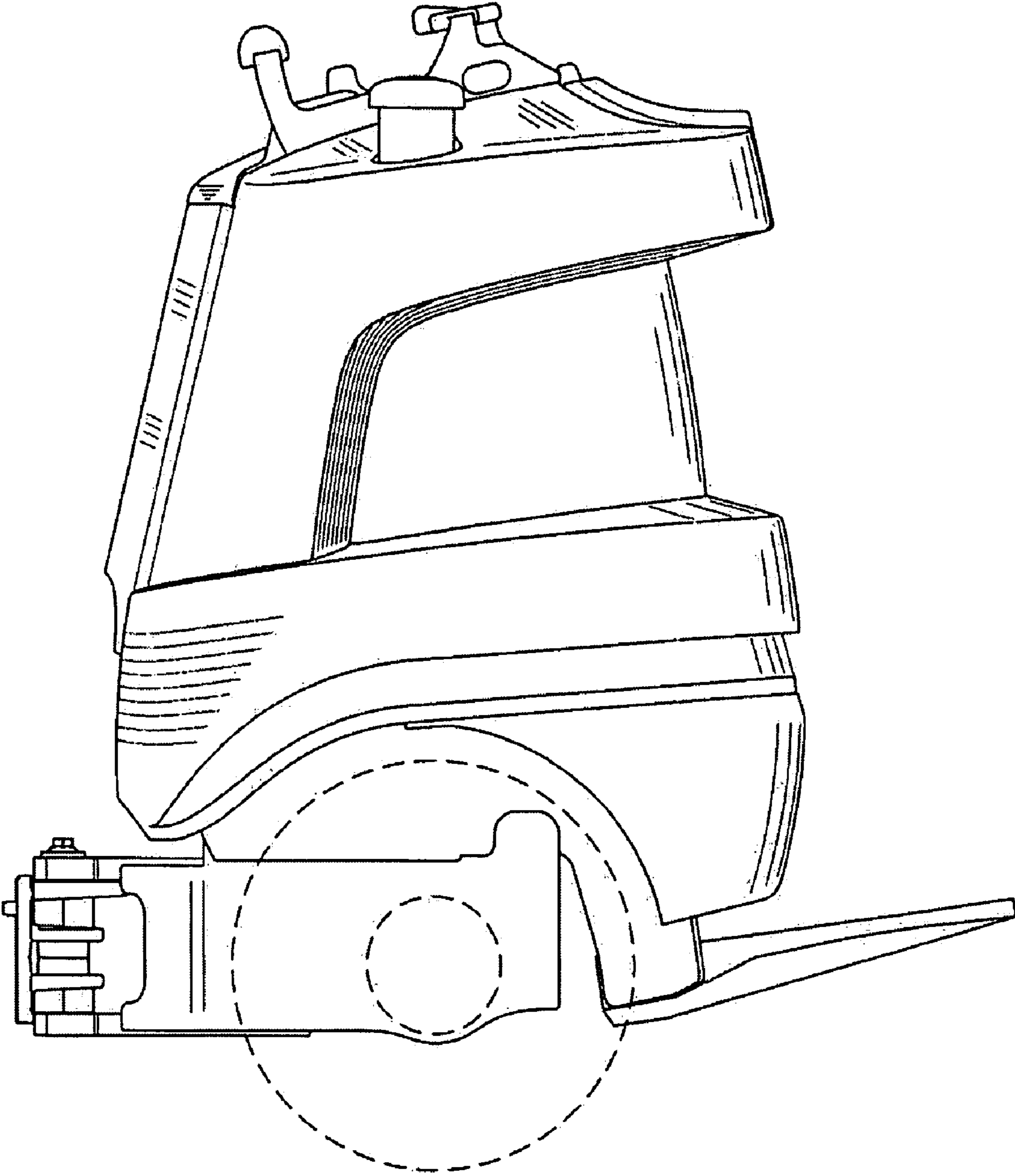


FIGURE 1

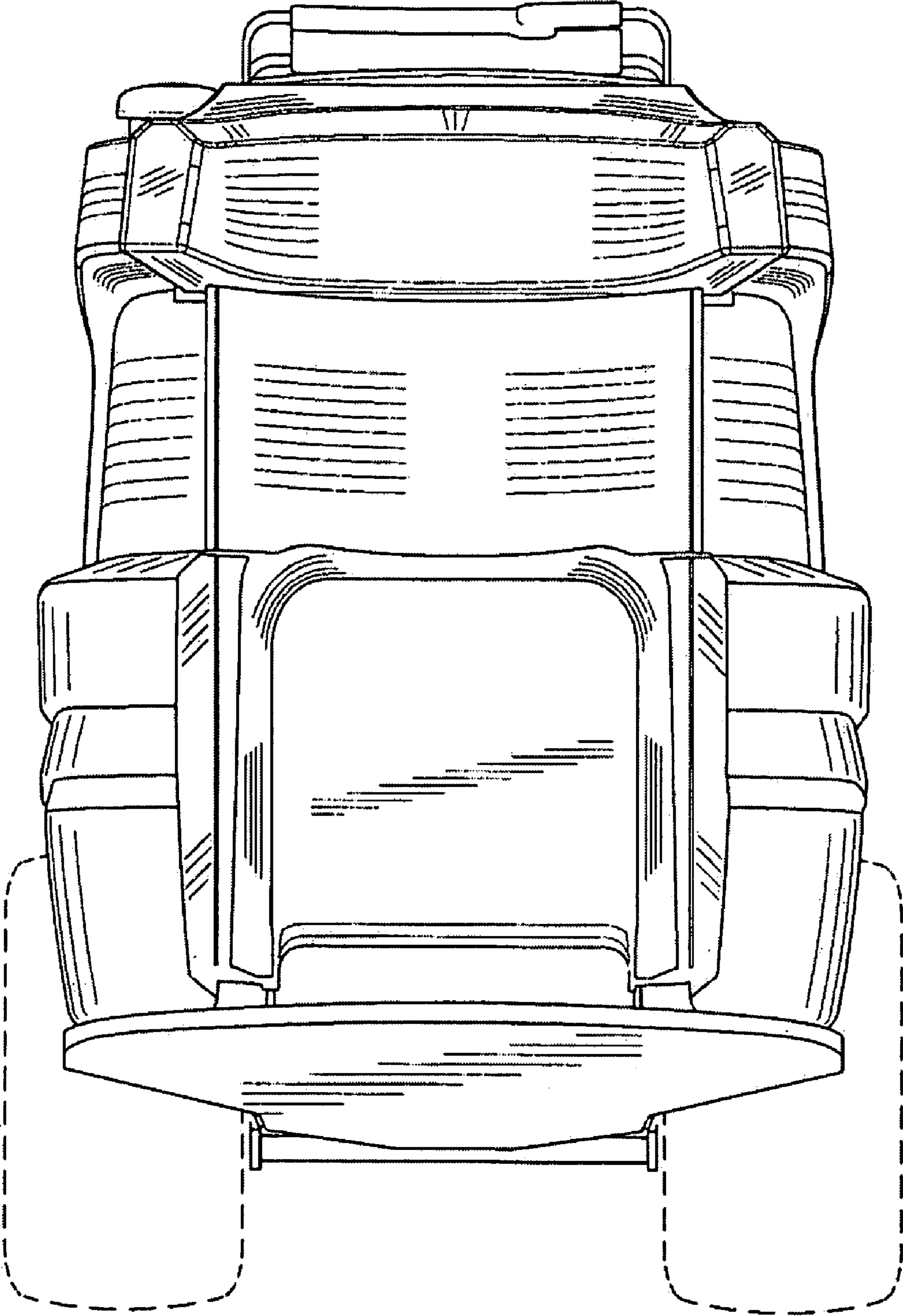


FIGURE 2

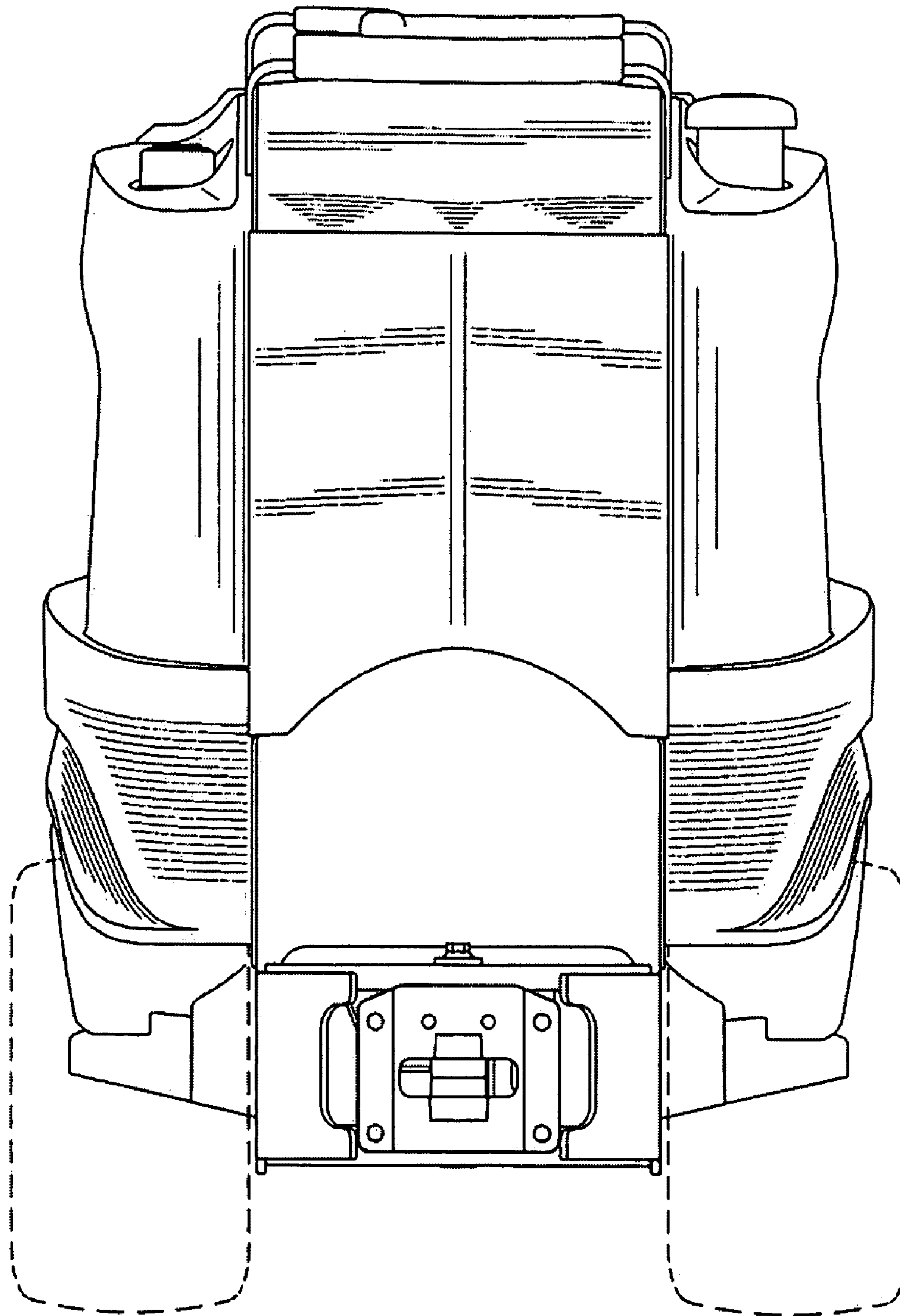


FIGURE 3

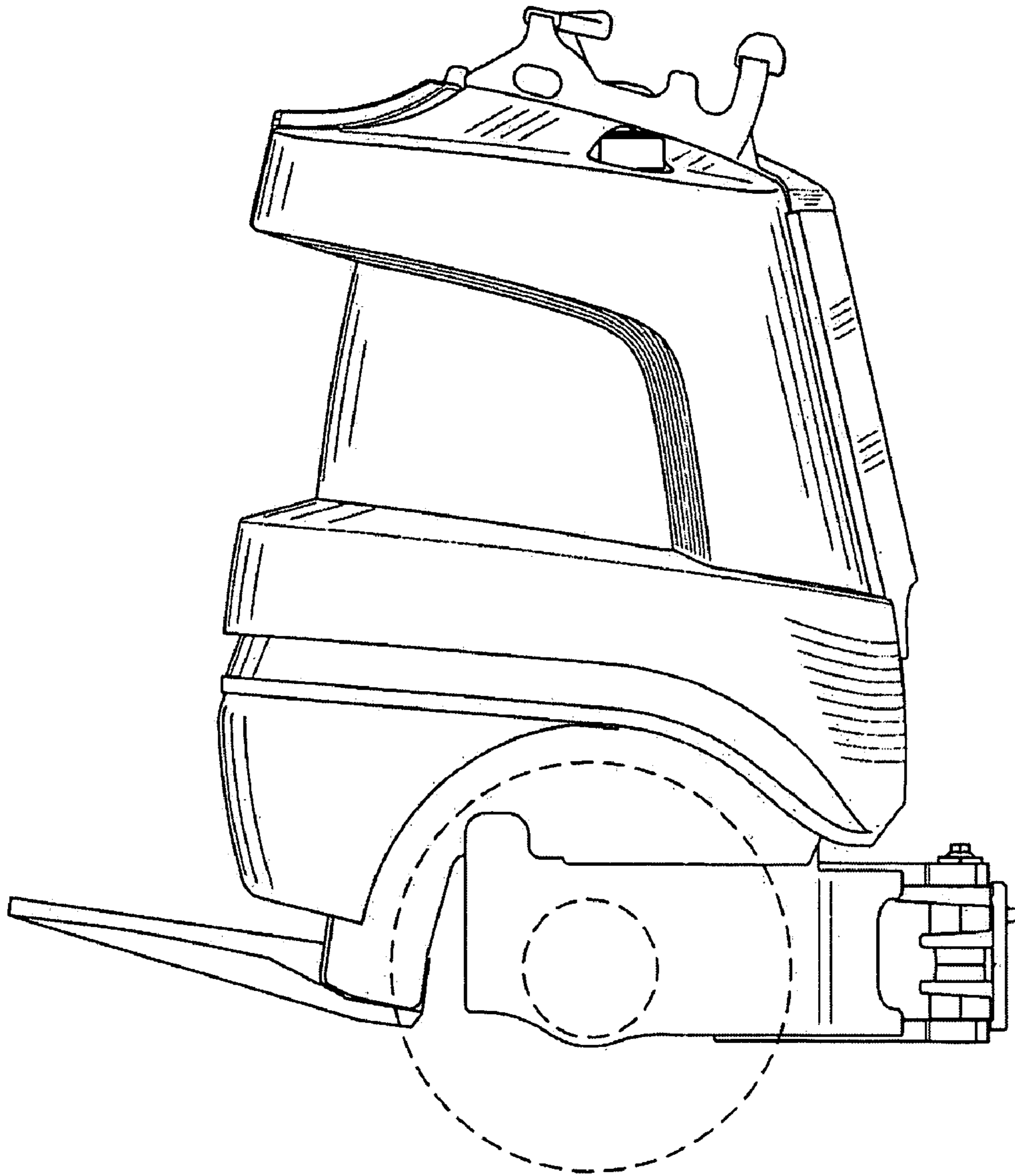


FIGURE 4

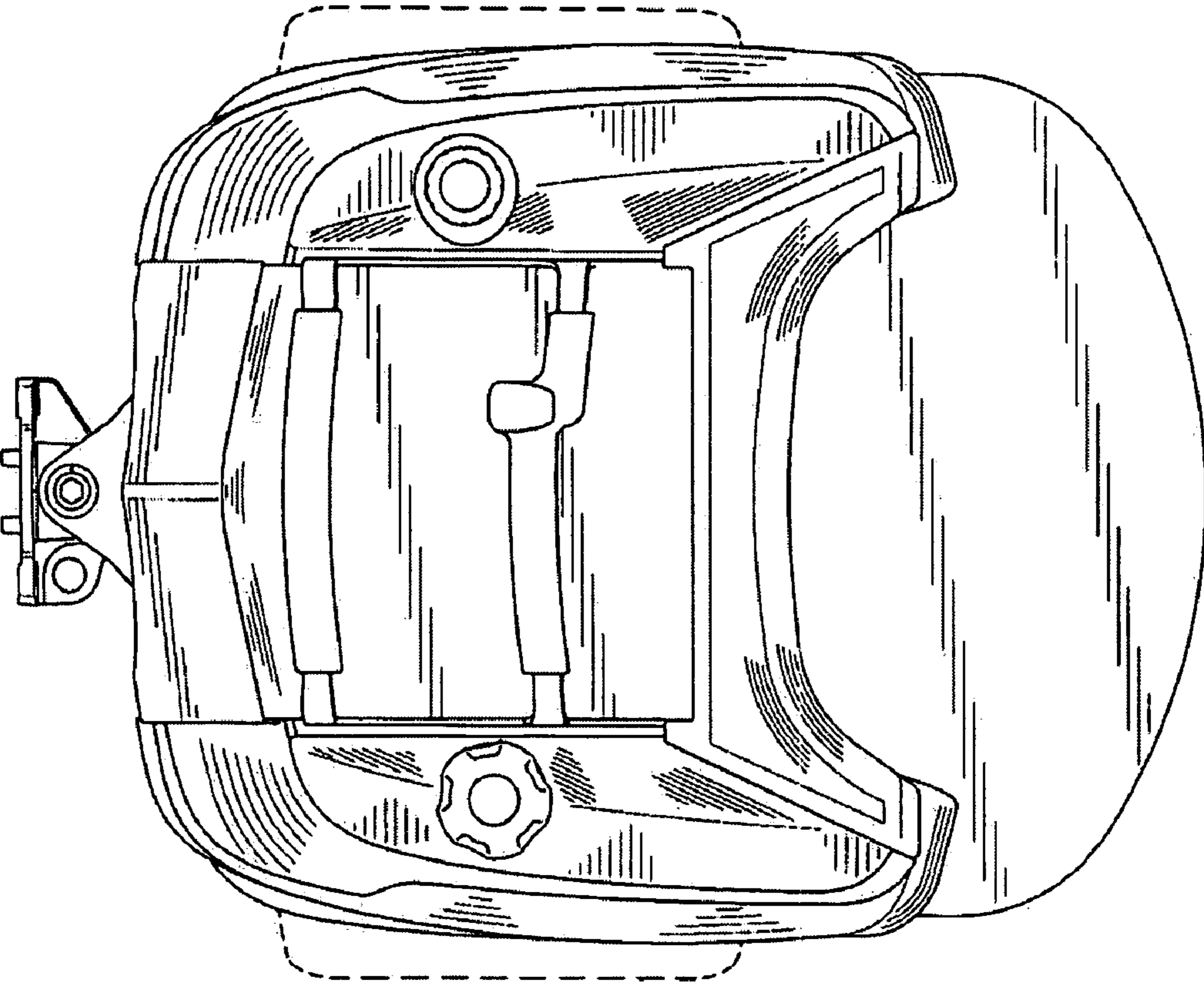


FIGURE 5

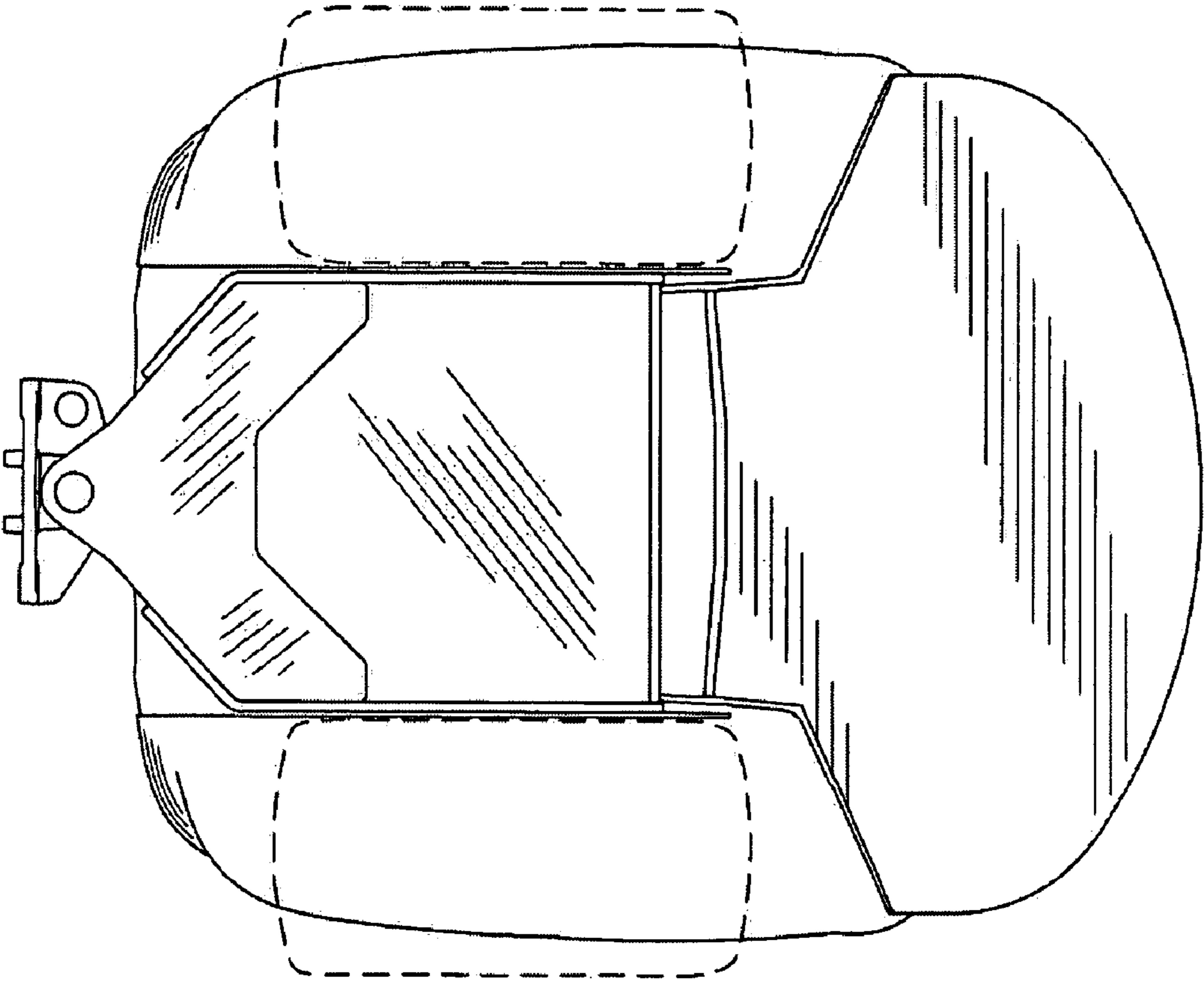


FIGURE 6



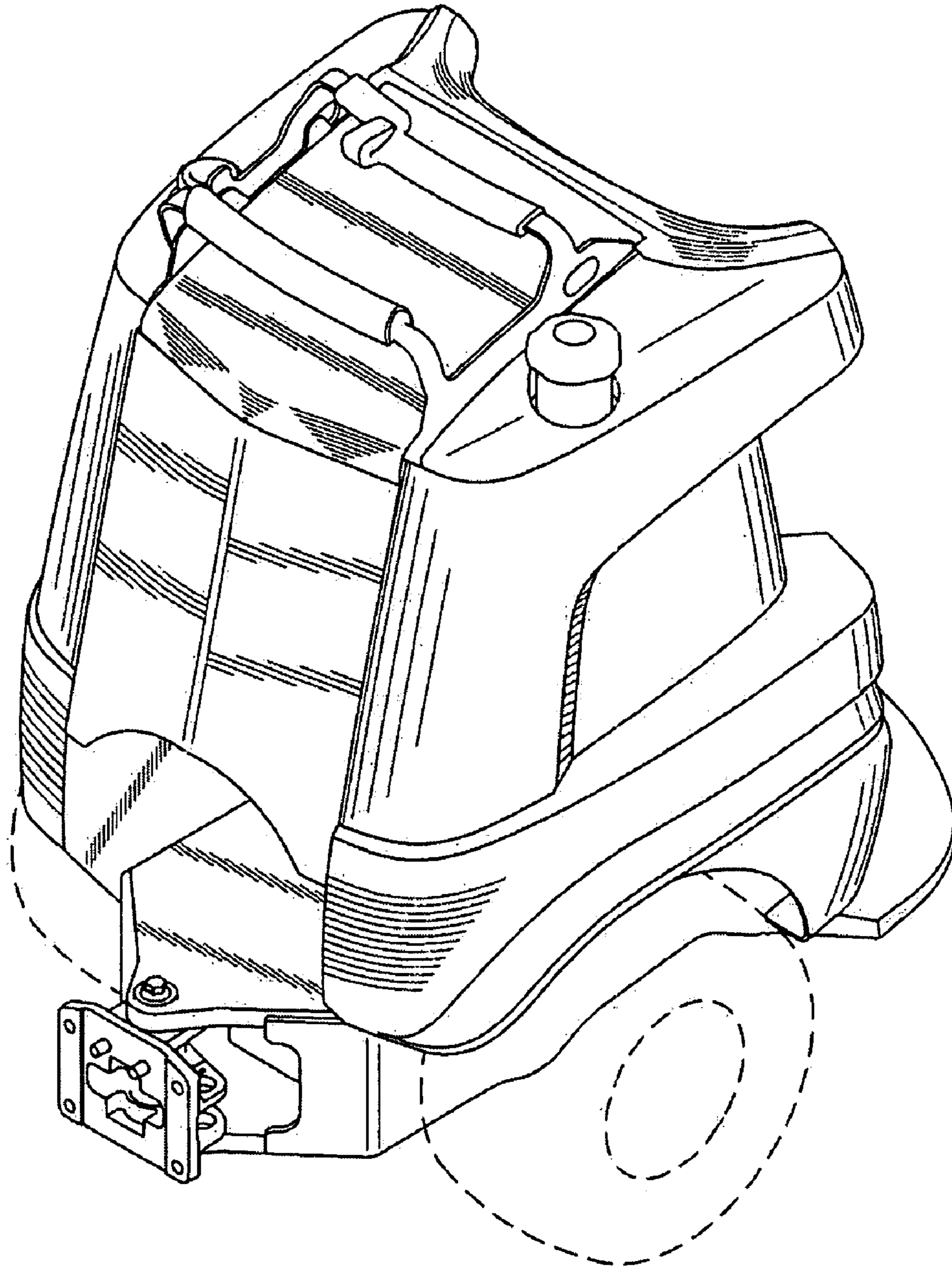
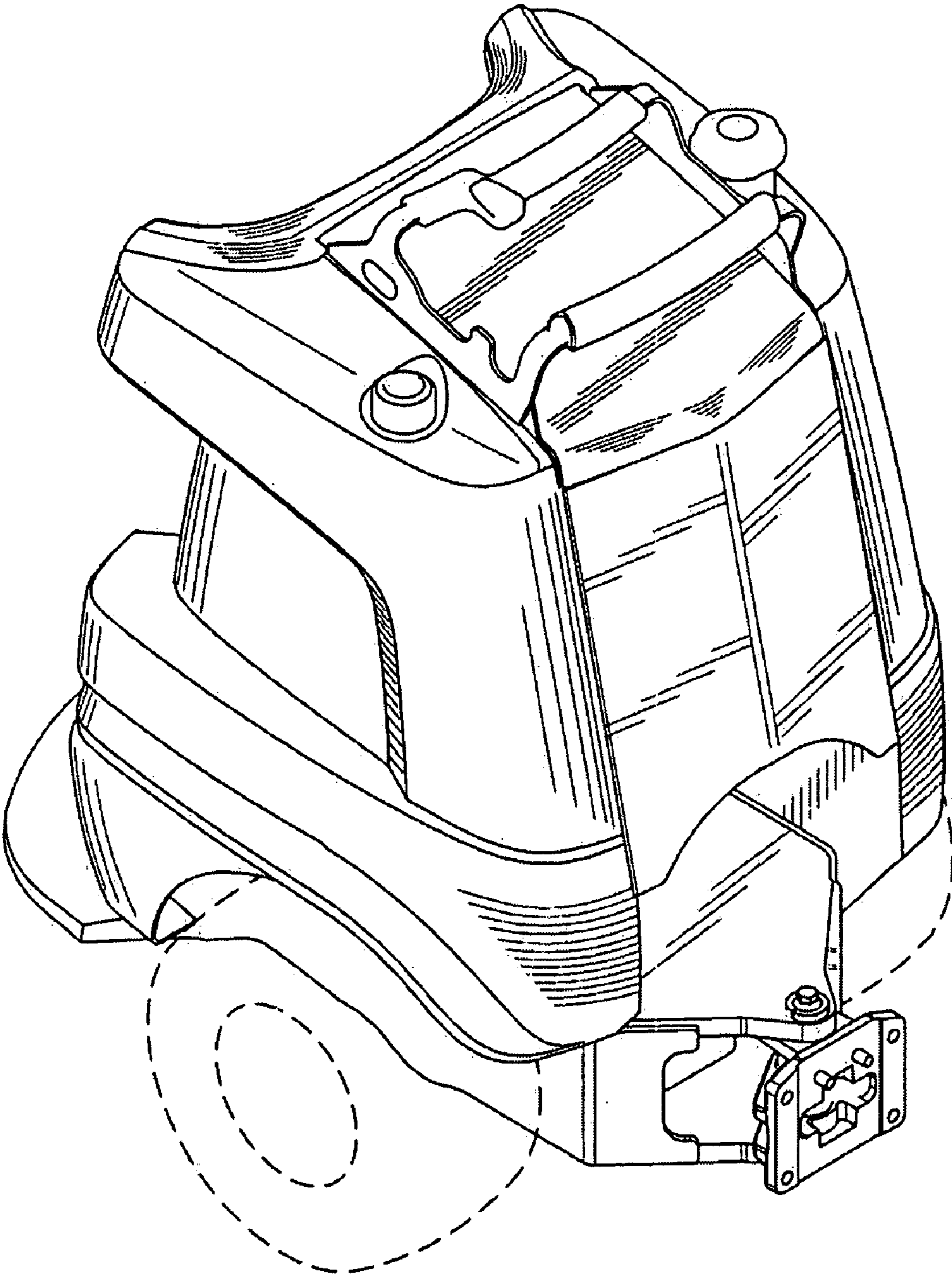


FIGURE 7



**FIGURE 8**