



US00D571826S

(12) **United States Design Patent**
Tanaka et al.

(10) **Patent No.:** **US D571,826 S**
(45) **Date of Patent:** **** Jun. 24, 2008**

(54) **THROTTLE LEVER**

(75) Inventors: **Giichi Tanaka**, Shiraoka-machi (JP);
Yoshinori Harashima, Satte (JP);
Kenichi Nagasawa, Hasuda (JP);
Kenichi Muramoto, Shiraoka-machi (JP)

(73) Assignee: **Mikasa Sangyo Co., Ltd.**, Tokyo (JP)

(**) Term: **14 Years**

(21) Appl. No.: **29/264,373**

(22) Filed: **Aug. 8, 2006**

(30) **Foreign Application Priority Data**

May 11, 2006 (JP) 2006-011940

(51) **LOC (8) Cl.** **15-03**

(52) **U.S. Cl.** **D15/17**

(58) **Field of Classification Search** D15/5,
D15/17, 14; D12/174; 74/480 R, 480 B,
74/483 R, 489, 490.11; 123/400, 398, 403
See application file for complete search history.

(56) **References Cited**

U.S. PATENT DOCUMENTS

4,195,534 A * 4/1980 Prince 74/491

4,428,180 A * 1/1984 Carlson 56/11.3
D295,865 S * 5/1988 Rosenblad D15/18
D317,166 S * 5/1991 Haggstam D15/17
D344,090 S * 2/1994 Barnard D15/17
D436,114 S * 1/2001 Beugelsdyk et al. D15/17
D499,052 S * 11/2004 Gates D12/174
D541,824 S * 5/2007 Yanagida et al. D15/28

* cited by examiner

Primary Examiner—Ian Simmons

Assistant Examiner—Wan Laymon

(74) *Attorney, Agent, or Firm*—Frishauf, Holtz, Goodman & Chick, P.C.

(57) **CLAIM**

The ornamental design for a throttle lever, as shown.

DESCRIPTION

FIG. 1 is a front, top, right side perspective view of a throttle lever showing our new design;

FIG. 2 is a front elevational view thereof;

FIG. 3 is a rear elevational view thereof;

FIG. 4 is a top plan view thereof;

FIG. 5 is a bottom plan view thereof;

FIG. 6 is a right side view thereof; and,

FIG. 7 is a left side view thereof.

1 Claim, 4 Drawing Sheets

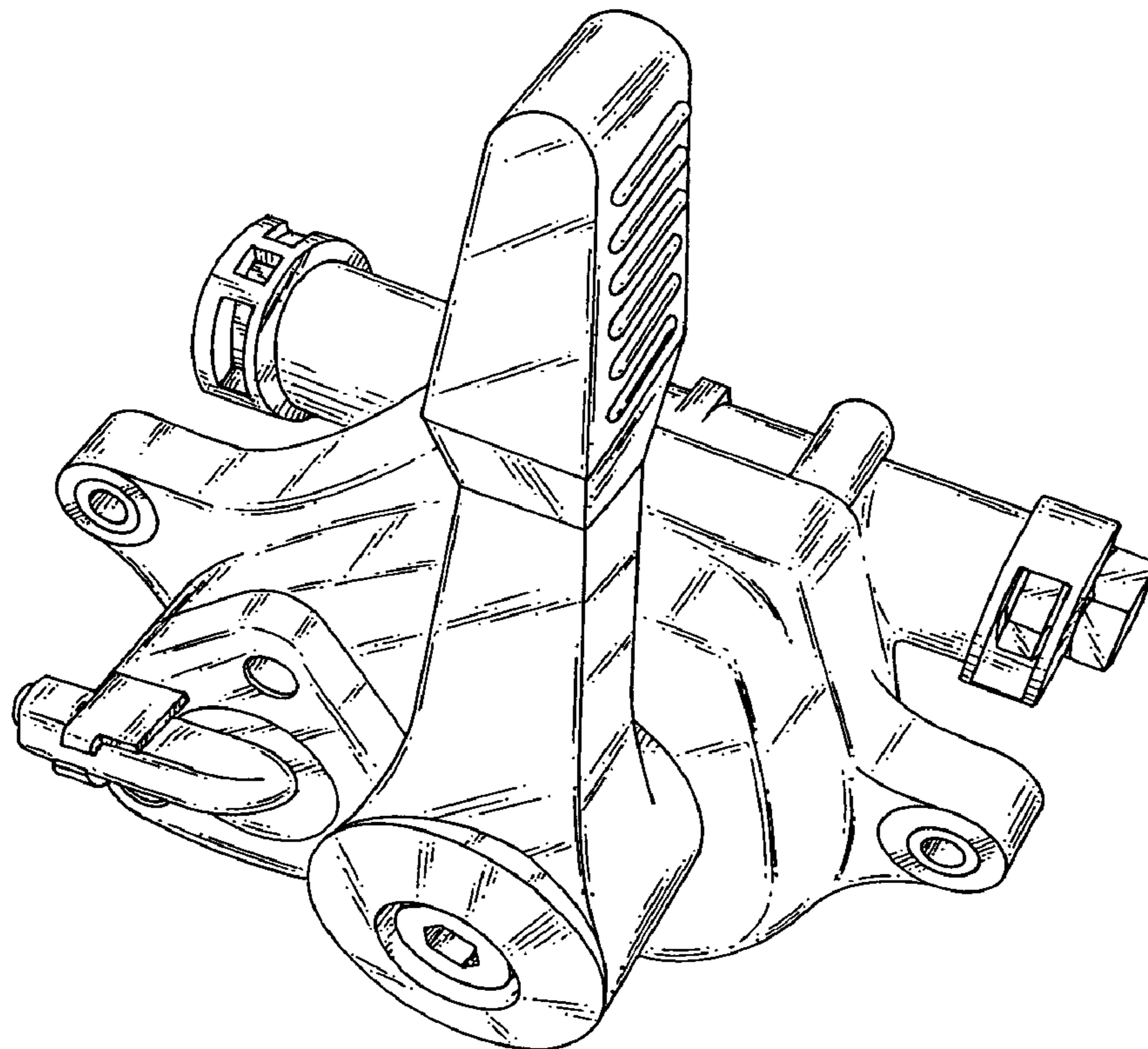


Fig. 1

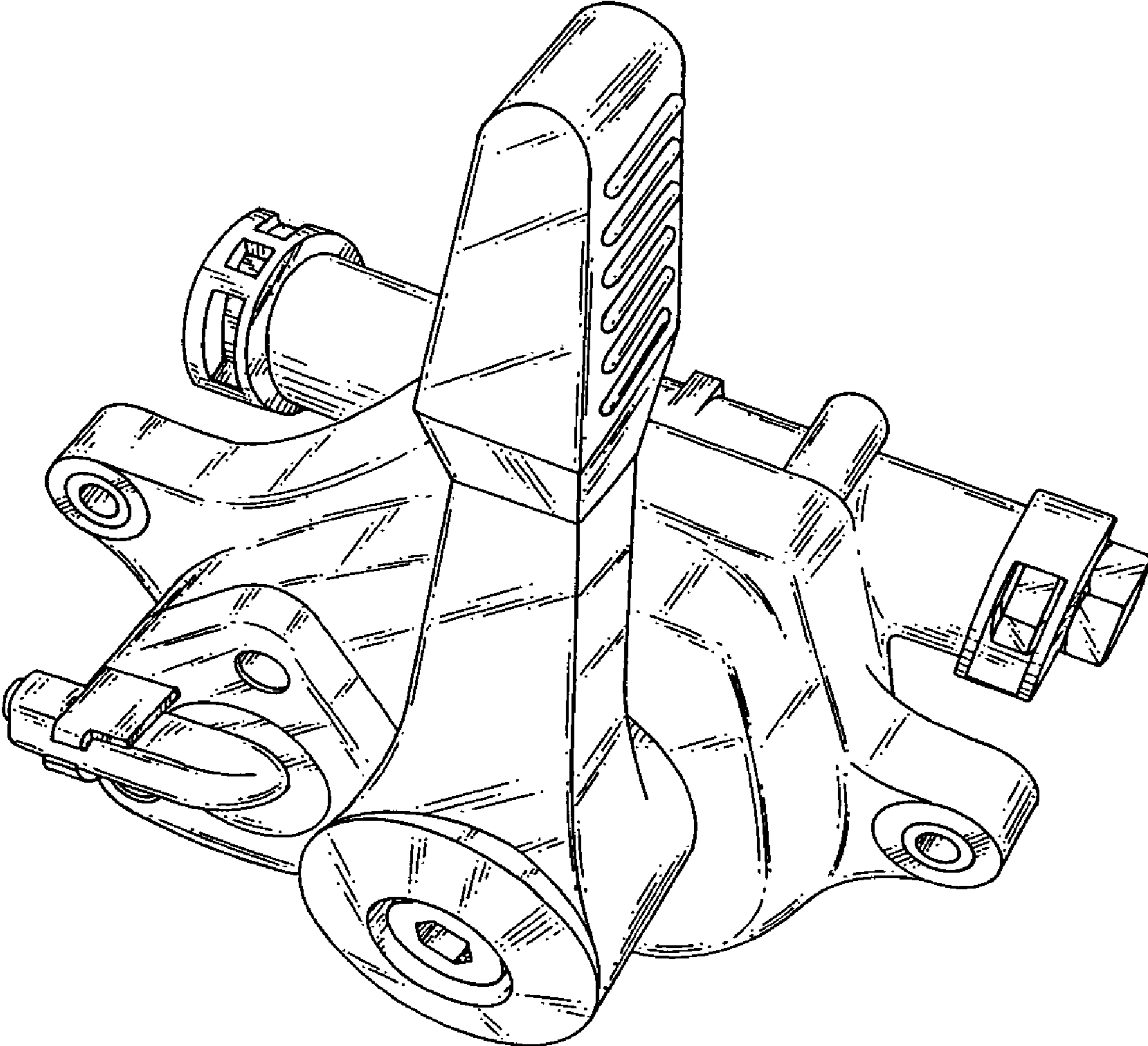


Fig. 2

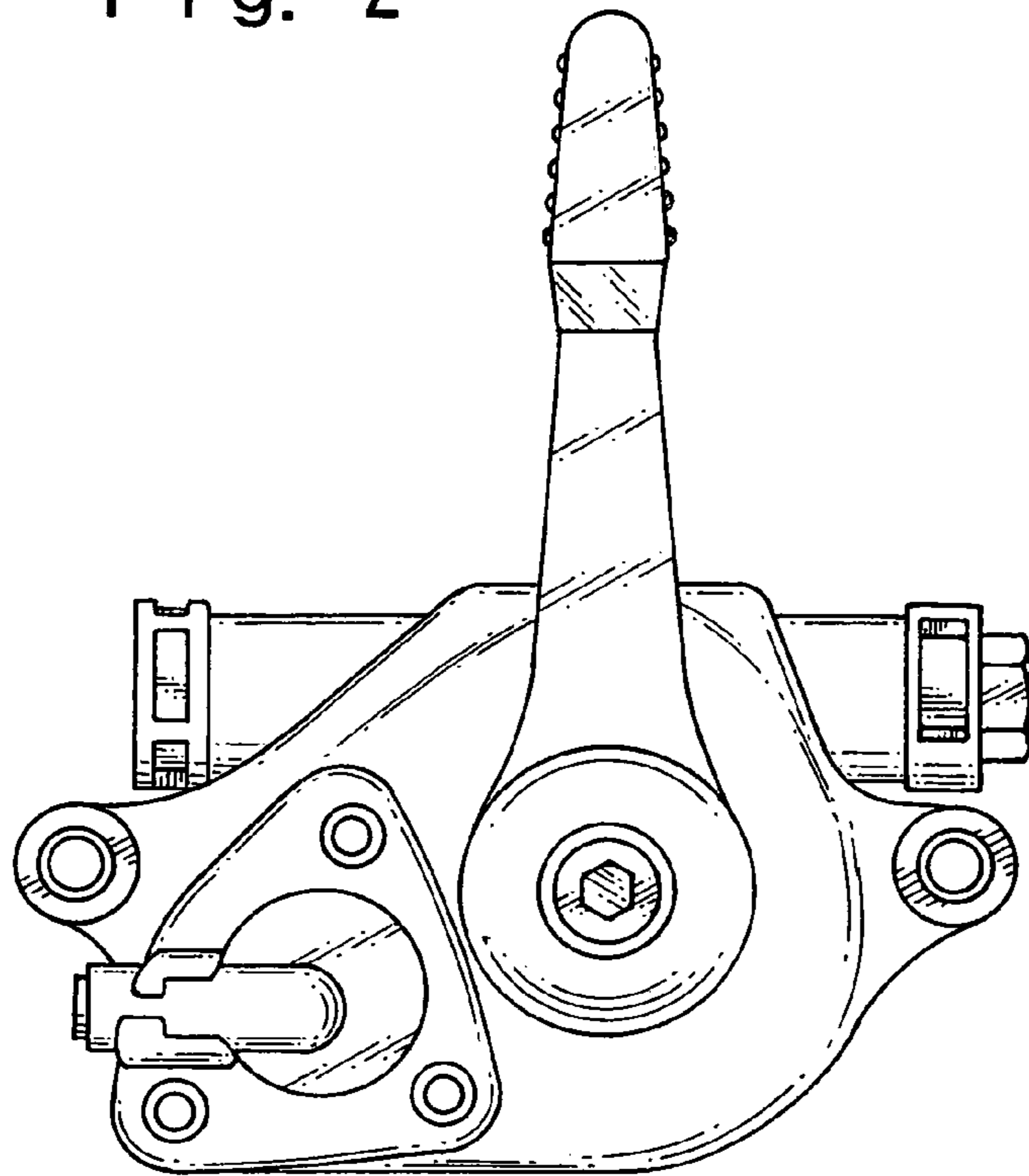


Fig. 3

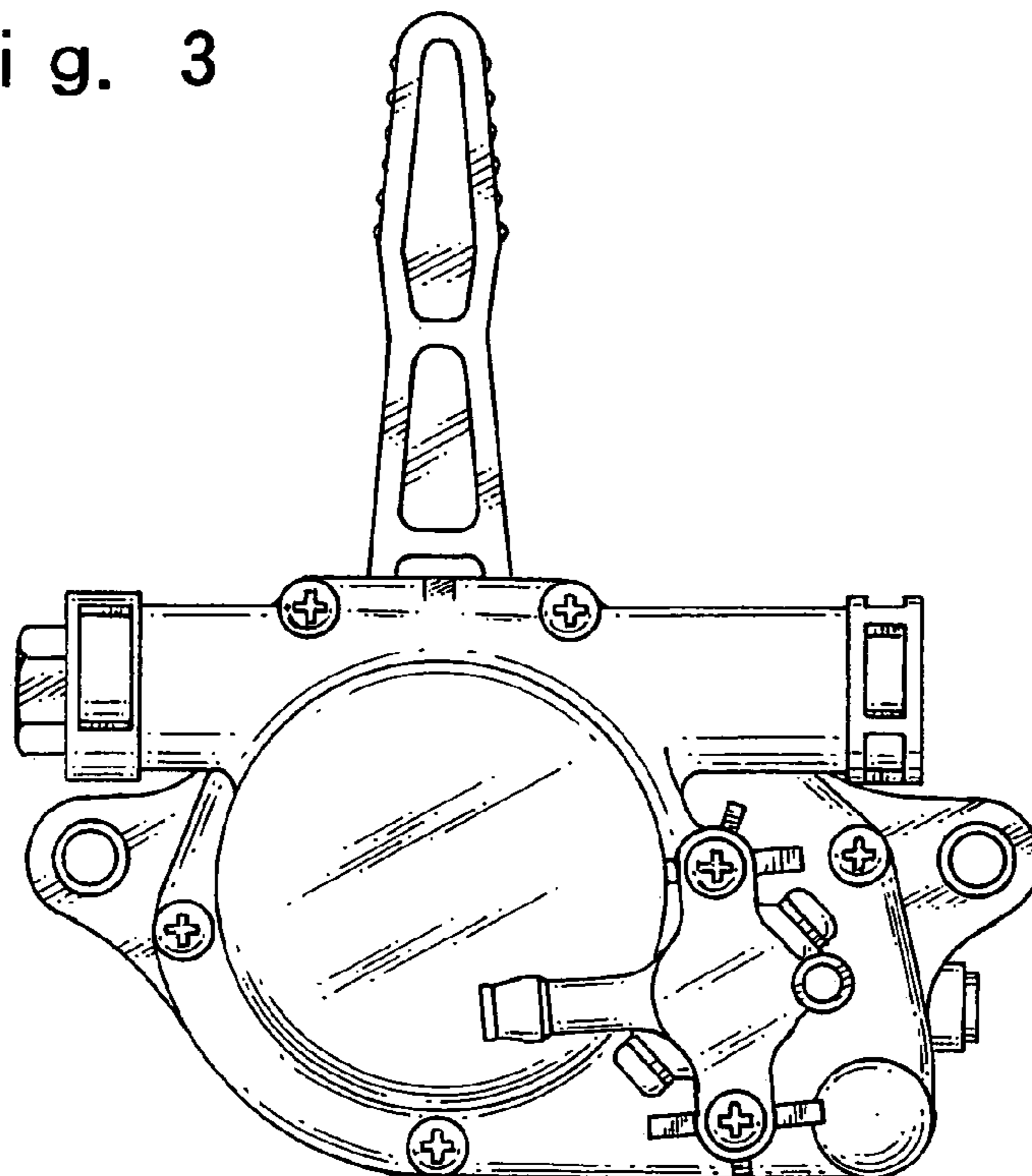


Fig. 4

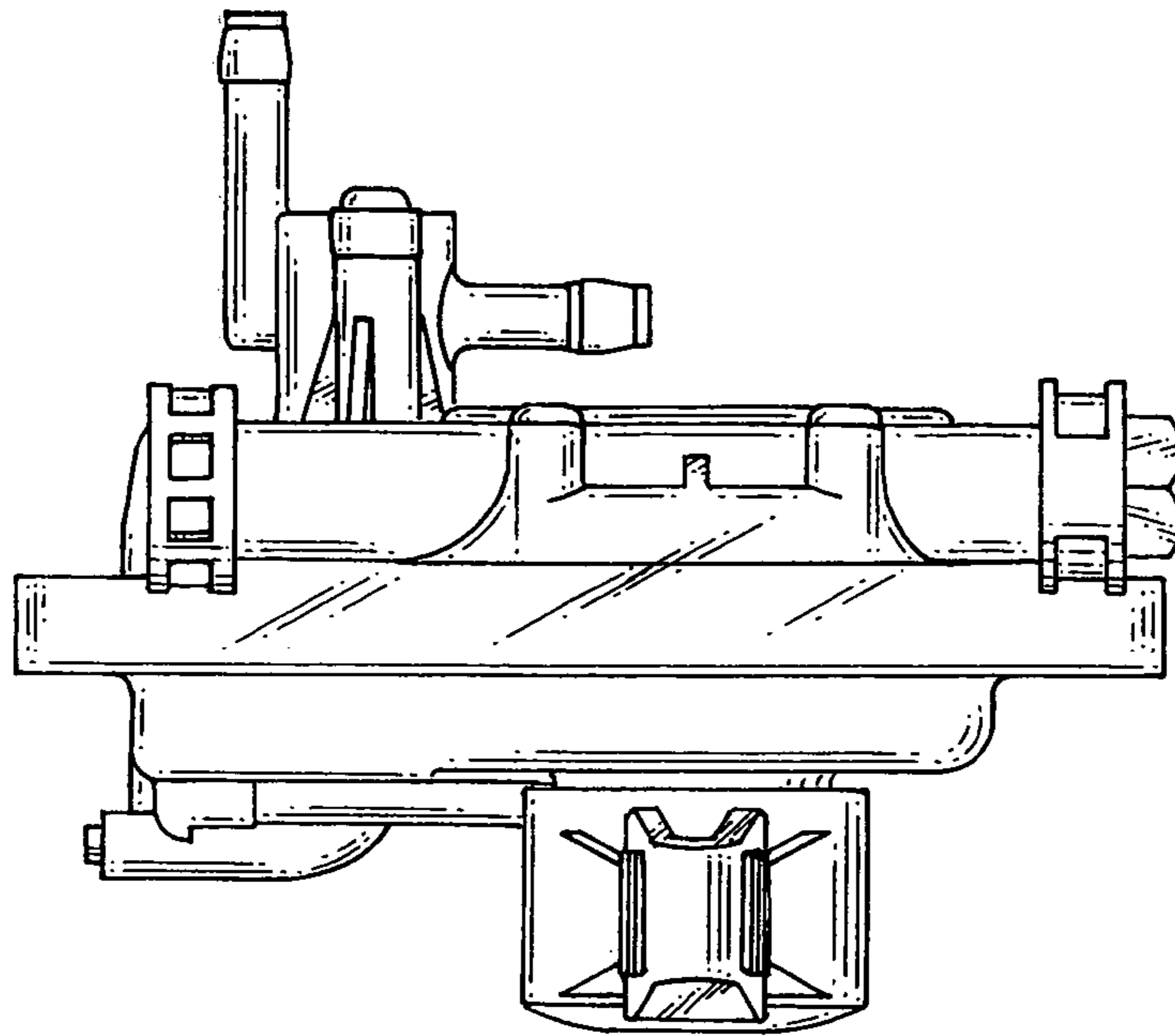


Fig. 5

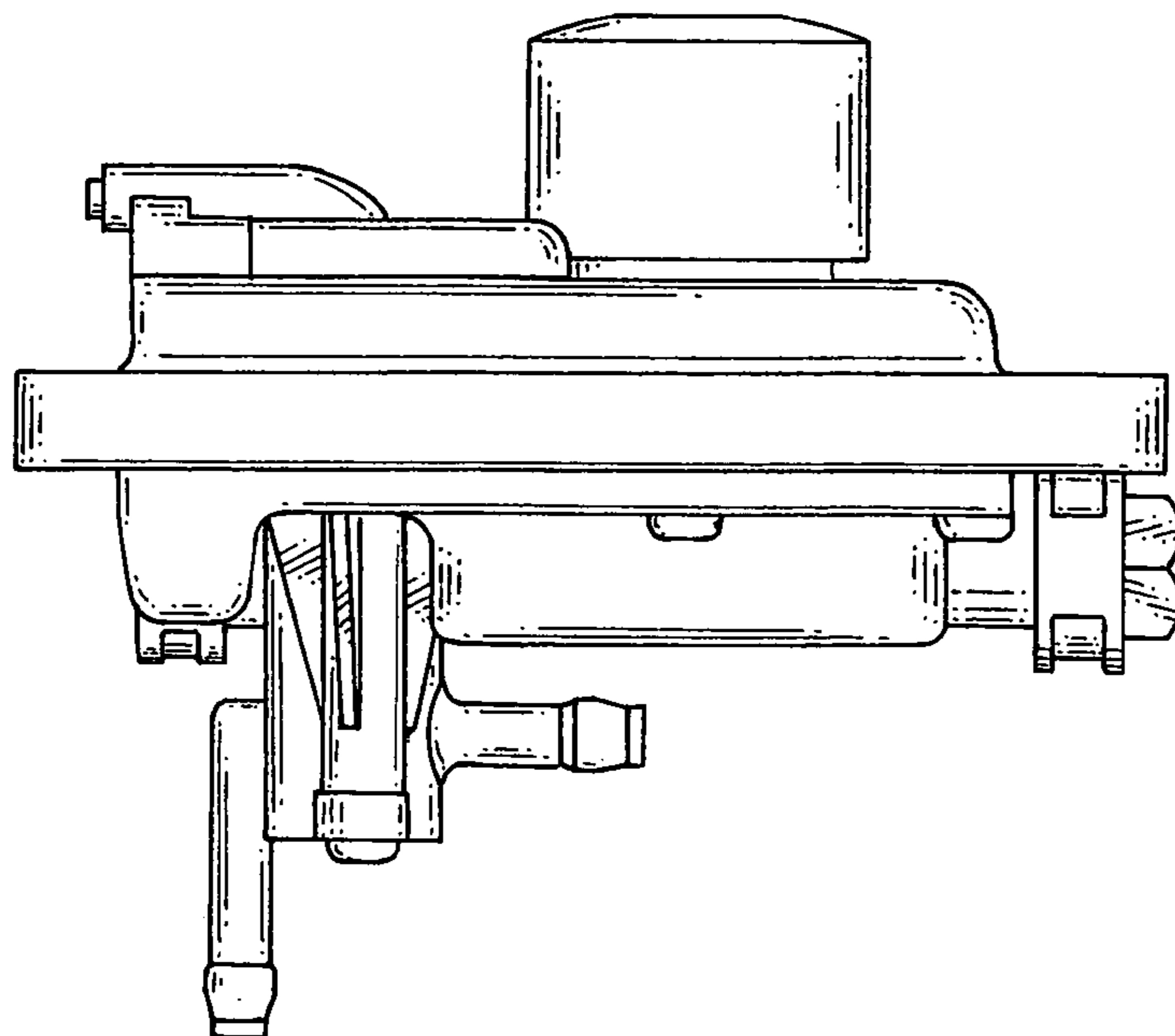


Fig. 6

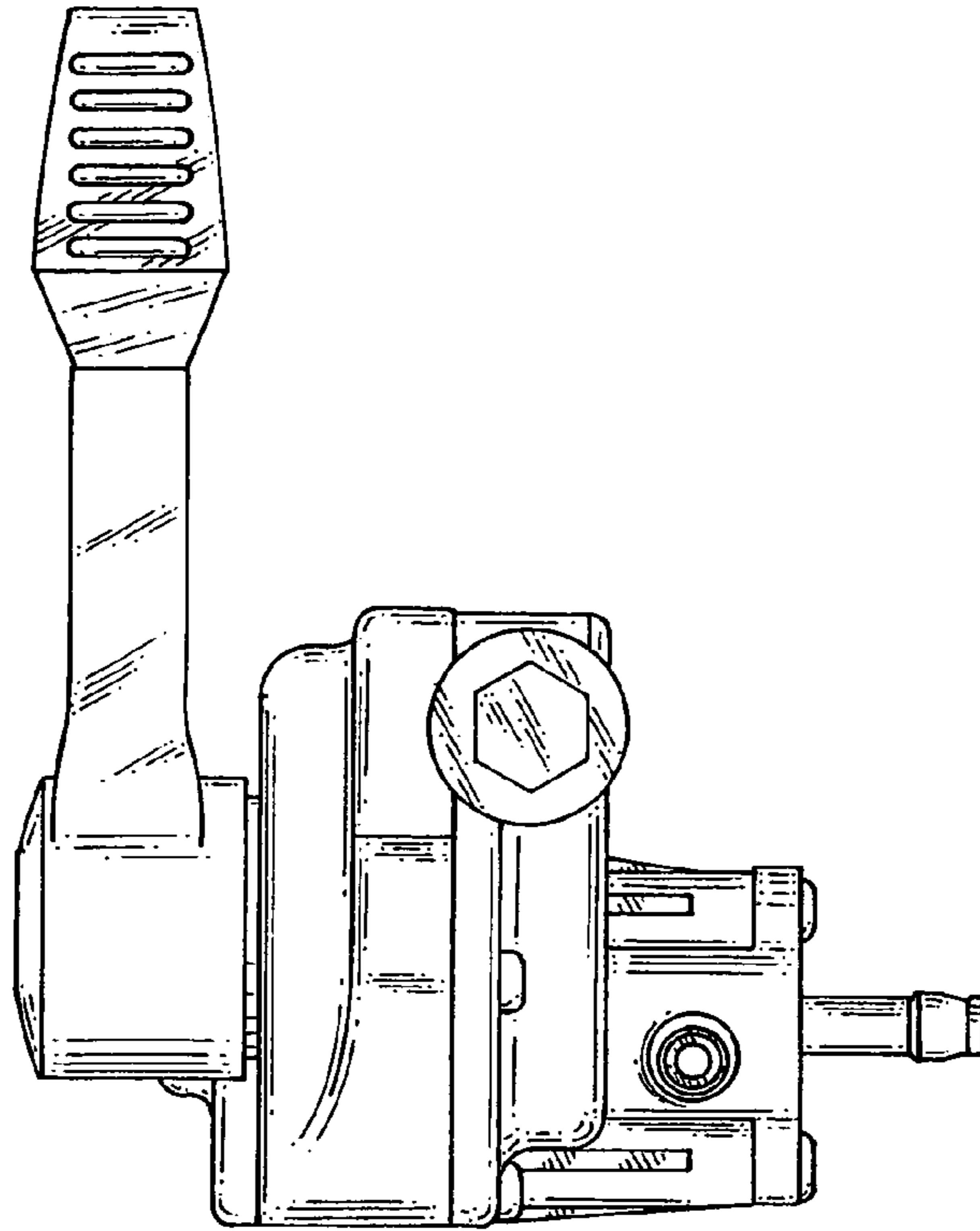


Fig. 7

