



US00D571811S

(12) **United States Design Patent**
Chen et al.

(10) **Patent No.:** **US D571,811 S**
(45) **Date of Patent:** **** Jun. 24, 2008**

(54) **COMPUTER FRONT BEZEL**

Primary Examiner—Freda S Nunn
(74) *Attorney, Agent, or Firm*—Wei Te Chung

(75) Inventors: **Yun-Lung Chen**, Taipei Hsien (TW);
Ning-Bo Pan, Shenzhen (CN)

(57) **CLAIM**

(73) Assignee: **Hon Hai Precision Industry Co., Ltd.**,
Tu-Cheng, Taipei Hsien (TW)

The ornamental design for a computer front bezel, as shown and described.

(**) Term: **14 Years**

DESCRIPTION

(21) Appl. No.: **29/275,530**

FIG. 1 is a perspective view of the design for the computer front bezel wherein broken lines illustrate environmental features;

(22) Filed: **Dec. 29, 2006**

(51) **LOC (8) Cl.** **14-02**

FIG. 2 is a front elevational view thereof;

(52) **U.S. Cl.** **D14/444**

FIG. 3 is a left side elevational view thereof;

(58) **Field of Classification Search** D14/441-446,
D14/308; D13/162, 184, 199; 312/223.1,
312/223.2; 361/680-686, 690-696; 369/14,
369/34.01, 36.01

FIG. 4 is a right side elevational view thereof;

FIG. 5 is a top plan view thereof;

See application file for complete search history.

FIG. 6 is a bottom plan view thereof; and,

FIG. 7 is a perspective view thereof being mounted to a computer case which is shown in broken lines for illustrative purposes only and forms no part of the claimed design.

(56) **References Cited**

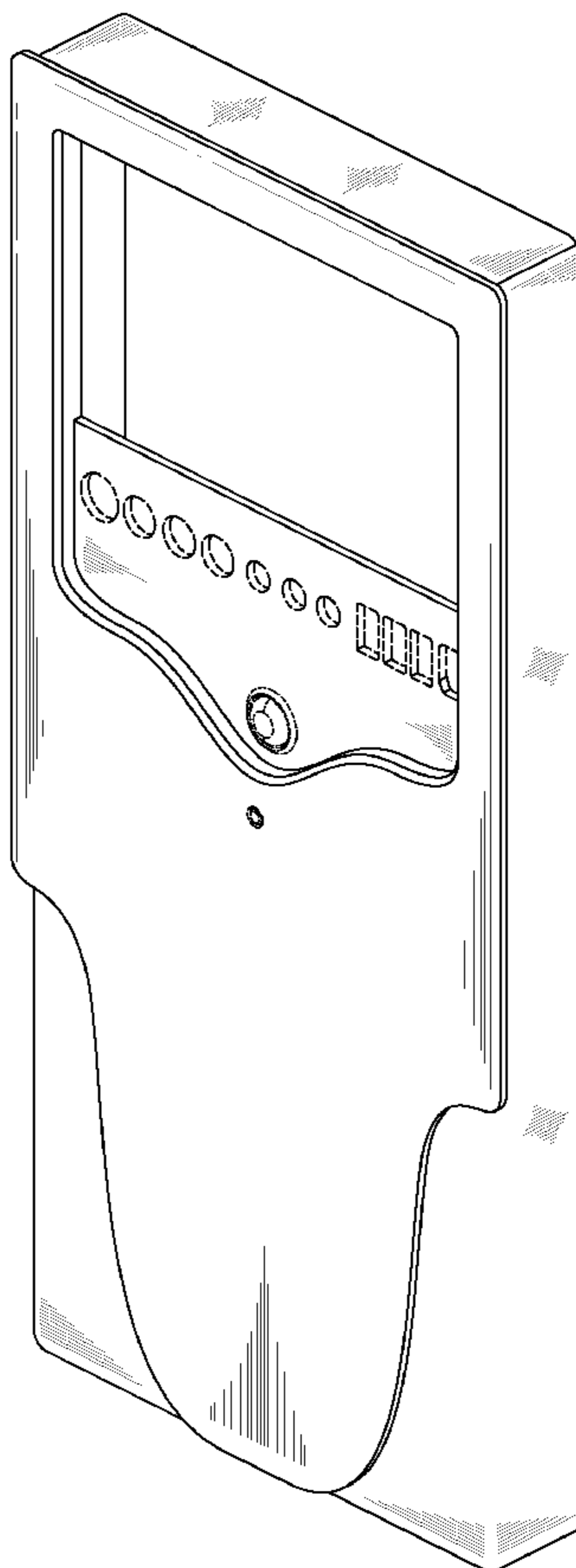
U.S. PATENT DOCUMENTS

D390,840 S *	2/1998	Autry et al.	D14/441
D484,510 S *	12/2003	Chen et al.	D14/444
D485,275 S *	1/2004	Chen et al.	D14/441
6,738,255 B2 *	5/2004	Chen	361/683

In these drawings the solid lines illustrate the claimed ornamental design whereas the broken lines illustrate environmental features that form no part of the claimed ornamental design.

* cited by examiner

1 Claim, 7 Drawing Sheets



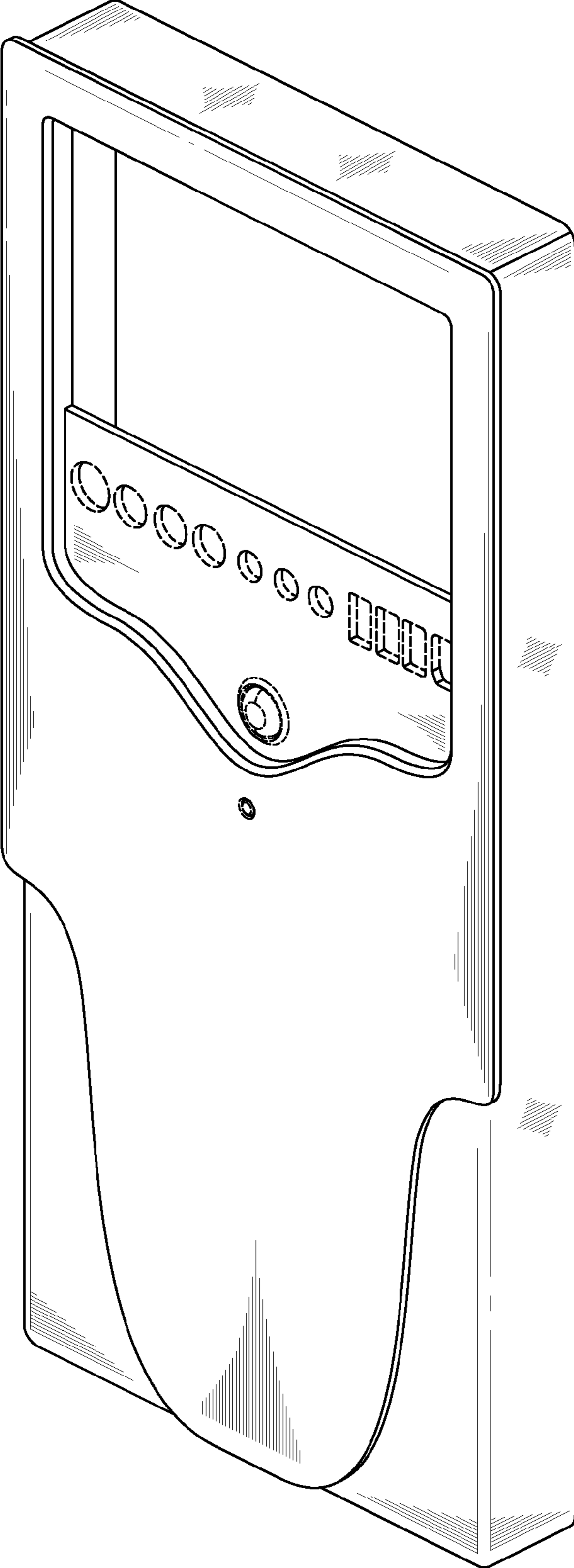


FIG. 1

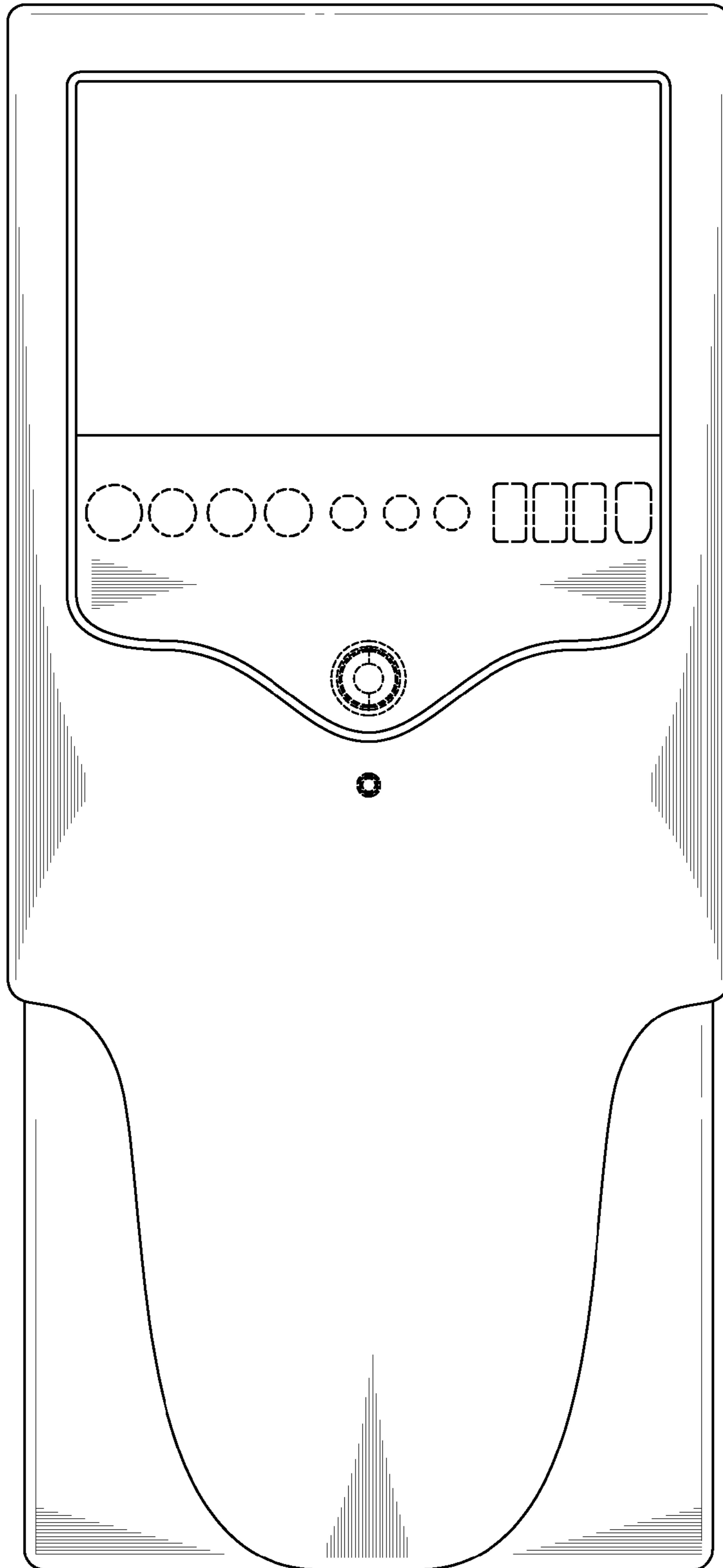


FIG. 2

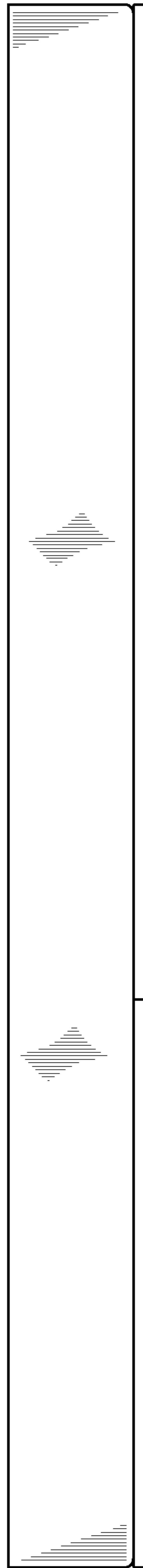


FIG. 3

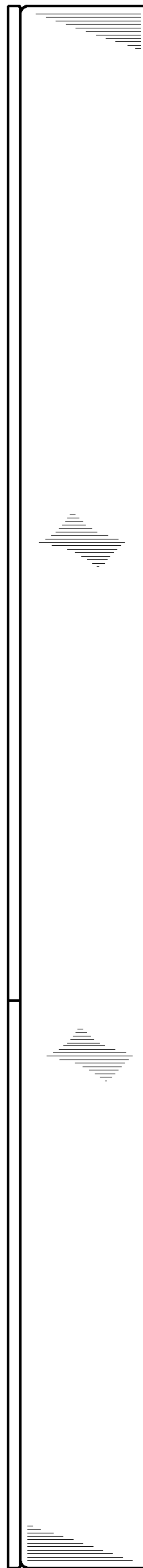


FIG. 4



FIG. 5



FIG. 6

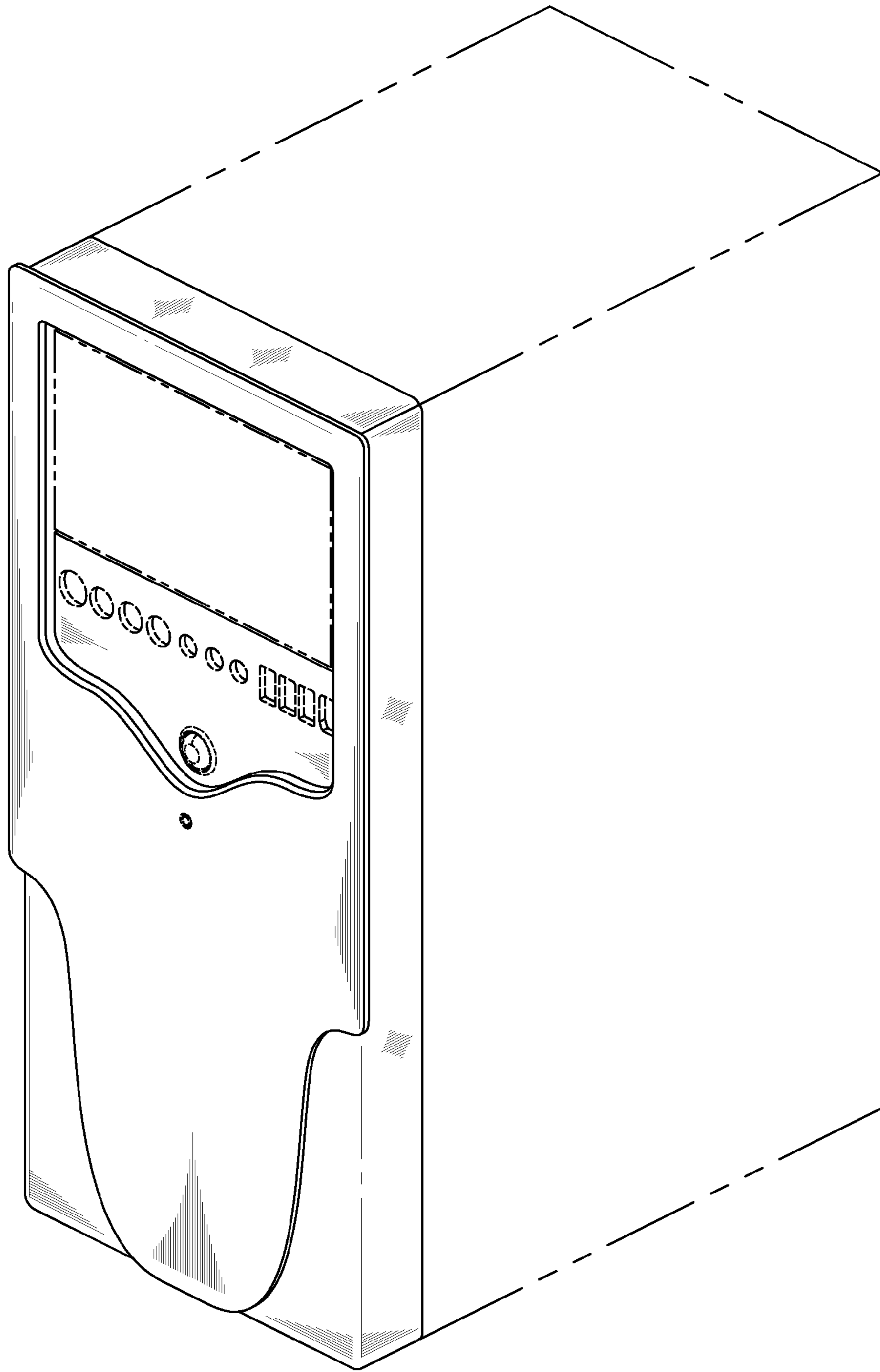


FIG. 7