



US00D571810S

(12) **United States Design Patent**
Ikeda

(10) **Patent No.:** **US D571,810 S**
(45) **Date of Patent:** **** Jun. 24, 2008**

(54) **MODULE WITH BUILT-IN INTEGRATED CIRCUITS FOR USE WITH IC CARDS**

(75) Inventor: **Hidetaka Ikeda**, Yokohama (JP)

(73) Assignee: **Kabushiki Kaisha Toshiba** (JP)

(**) Term: **14 Years**

(21) Appl. No.: **29/268,869**

(22) Filed: **Nov. 15, 2006**

(30) **Foreign Application Priority Data**

Jun. 20, 2006 (JP) 2006-016006

(51) **LOC (8) Cl.** **14-02**

(52) **U.S. Cl.** **D14/437**

(58) **Field of Classification Search** D14/435-437,
D14/478-480, 485-495, 474; D13/182;
369/275.1-275.5, 44.26, 284, 286, 100, 52.1,
369/272, 273, 280-288; 283/81; 720/718;
435/6, 287.2; 604/891.1; 216/2; D11/80;
235/492, 488; 361/737

See application file for complete search history.

(56) **References Cited**

U.S. PATENT DOCUMENTS

- 5,027,190 A * 6/1991 Haghiri-Tehrani et al. .. 257/679
- D327,883 S * 7/1992 Gloton D14/437
- D328,599 S * 8/1992 Gloton D14/437
- D357,909 S * 5/1995 Gloton D14/437
- D358,142 S * 5/1995 Gloton D14/437
- D365,092 S * 12/1995 Mundigl et al. D14/437
- D387,746 S * 12/1997 Ishihara D14/437
- D388,066 S * 12/1997 Ishihara D14/437
- D389,130 S * 1/1998 Ishihara D14/437
- D412,164 S * 7/1999 Laviron et al. D14/437

- D412,888 S 8/1999 Coveley
- 6,076,737 A * 6/2000 Gogami et al. 235/492
- D427,577 S * 7/2000 Haas et al. D14/437
- D456,414 S * 4/2002 Turin D14/437
- 6,641,049 B2 * 11/2003 Luu 235/492

FOREIGN PATENT DOCUMENTS

- JP 981863 5/1997
- JP 1196836 2/2004

* cited by examiner

Primary Examiner—Melanie Tung

Assistant Examiner—Susan Moon Lee

(74) *Attorney, Agent, or Firm*—Banner & Witcoff, Ltd.

(57) **CLAIM**

We claim the ornamental design for a module with built-in integrated circuits for use with IC cards, as shown and described.

DESCRIPTION

FIG. 1 is a perspective view of a module with built-in integrated circuits for use with IC cards showing my new design, FIG. 2 is a front elevational view thereof, FIG. 3 is a rear elevational view thereof, FIG. 4 is a left side elevational view thereof, FIG. 5 is a right side elevational view thereof, FIG. 6 is a top plan view thereof, FIG. 7 is a bottom plan view thereof; and, FIG. 8 is a reduced reference view showing the article in use thereof.

The portions shown in broken lines are for illustrative purposes only and form no part of the claimed design.

1 Claim, 3 Drawing Sheets

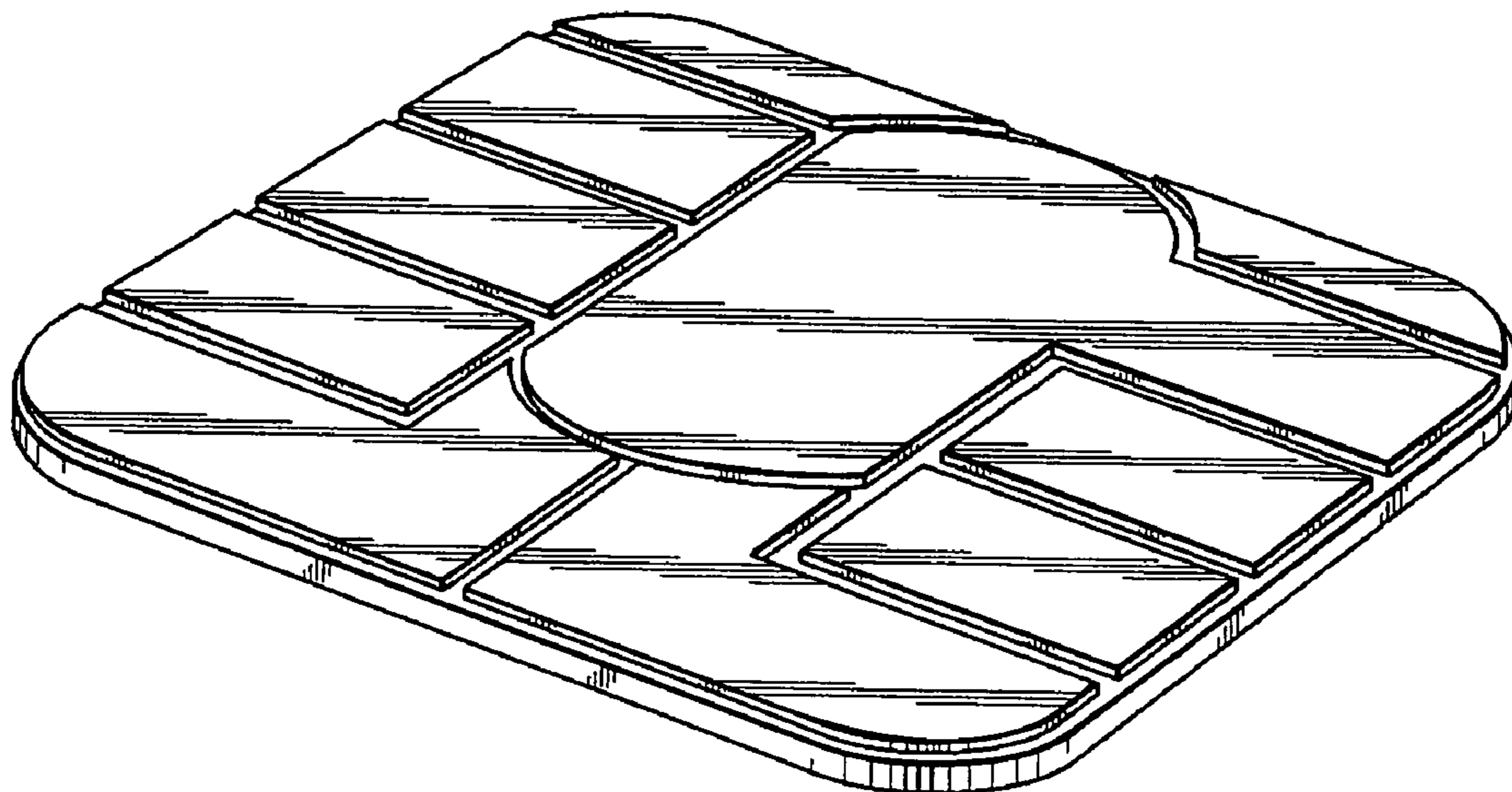


FIG. 1

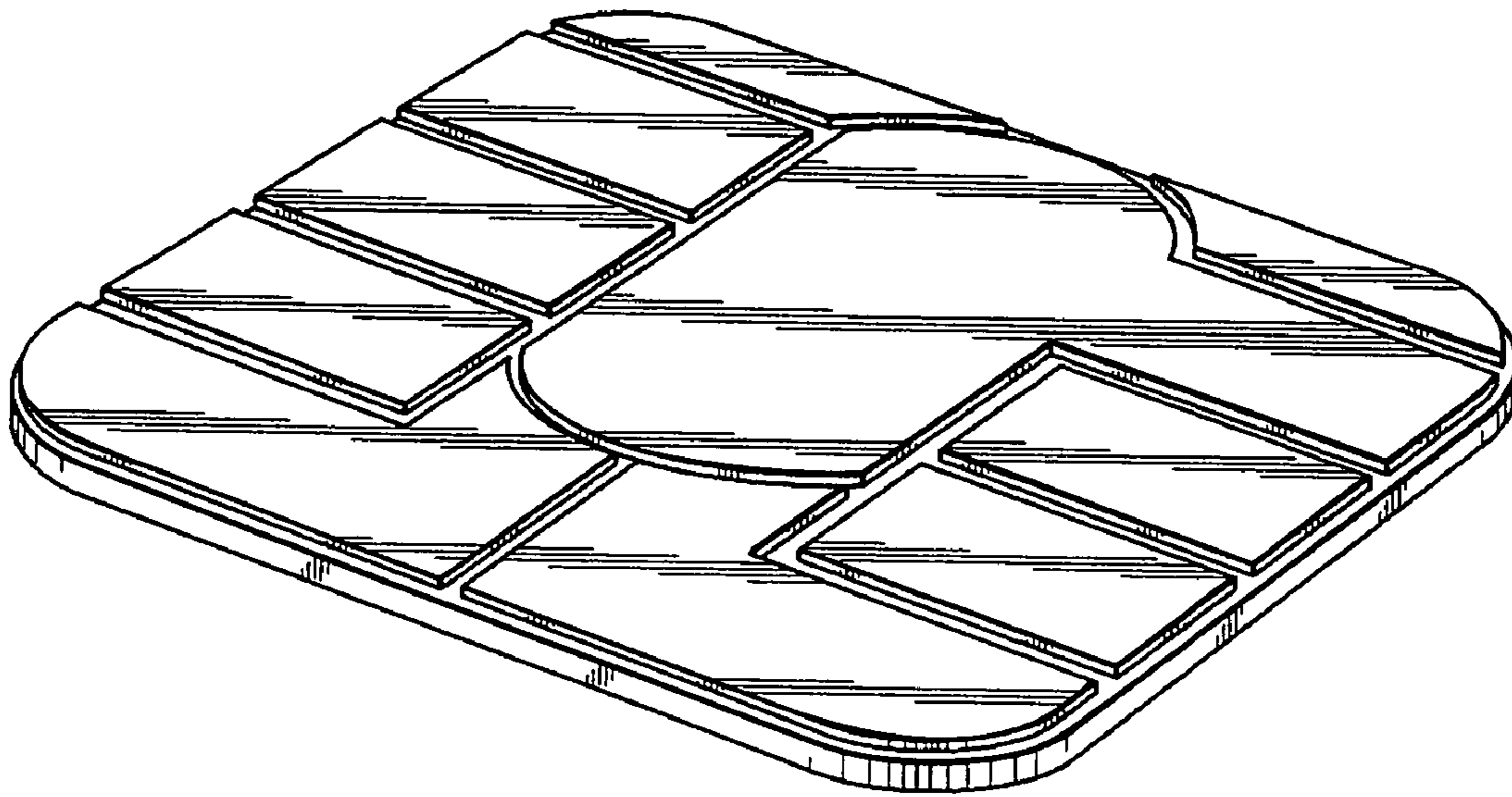


FIG. 2

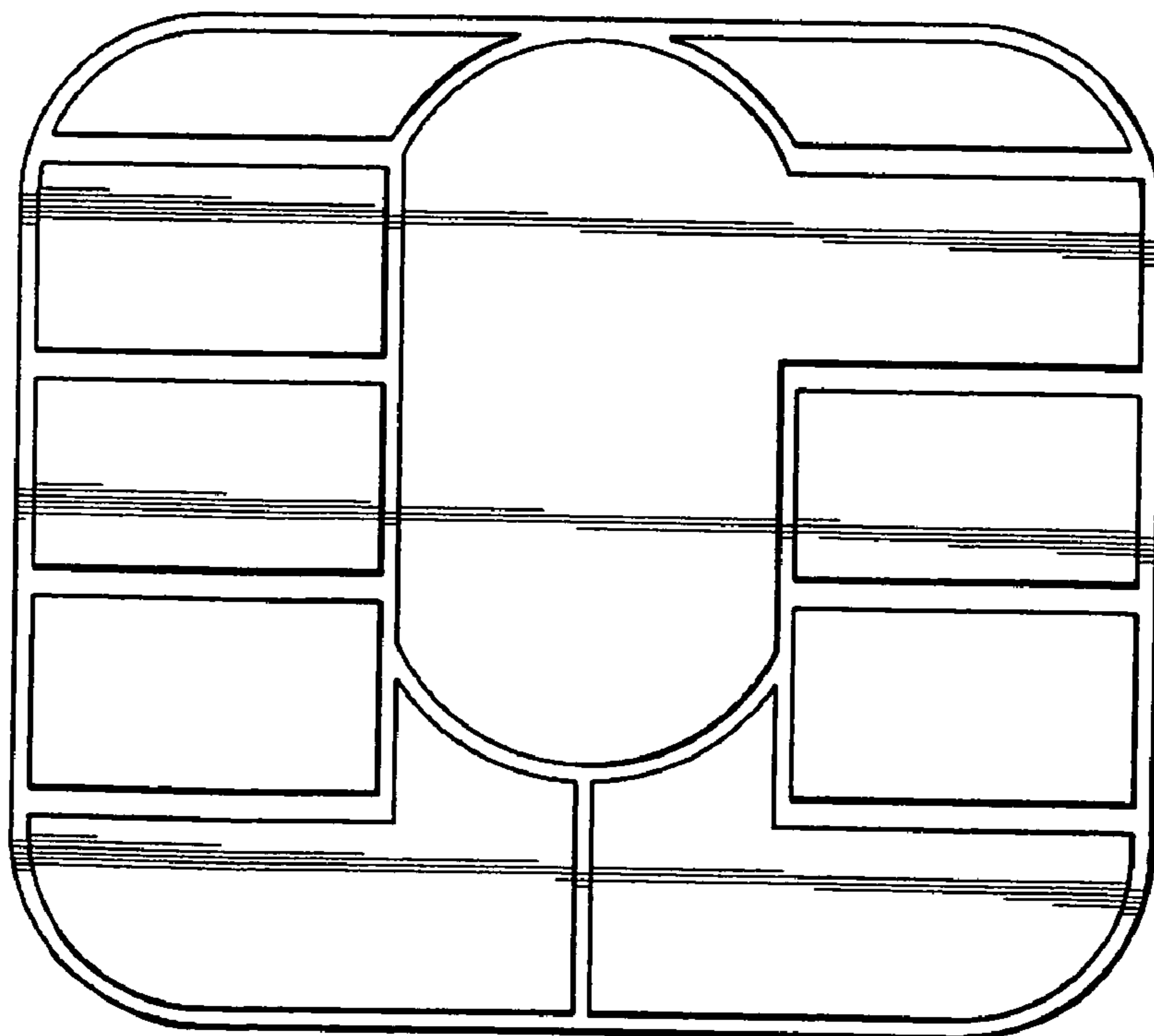


FIG. 3

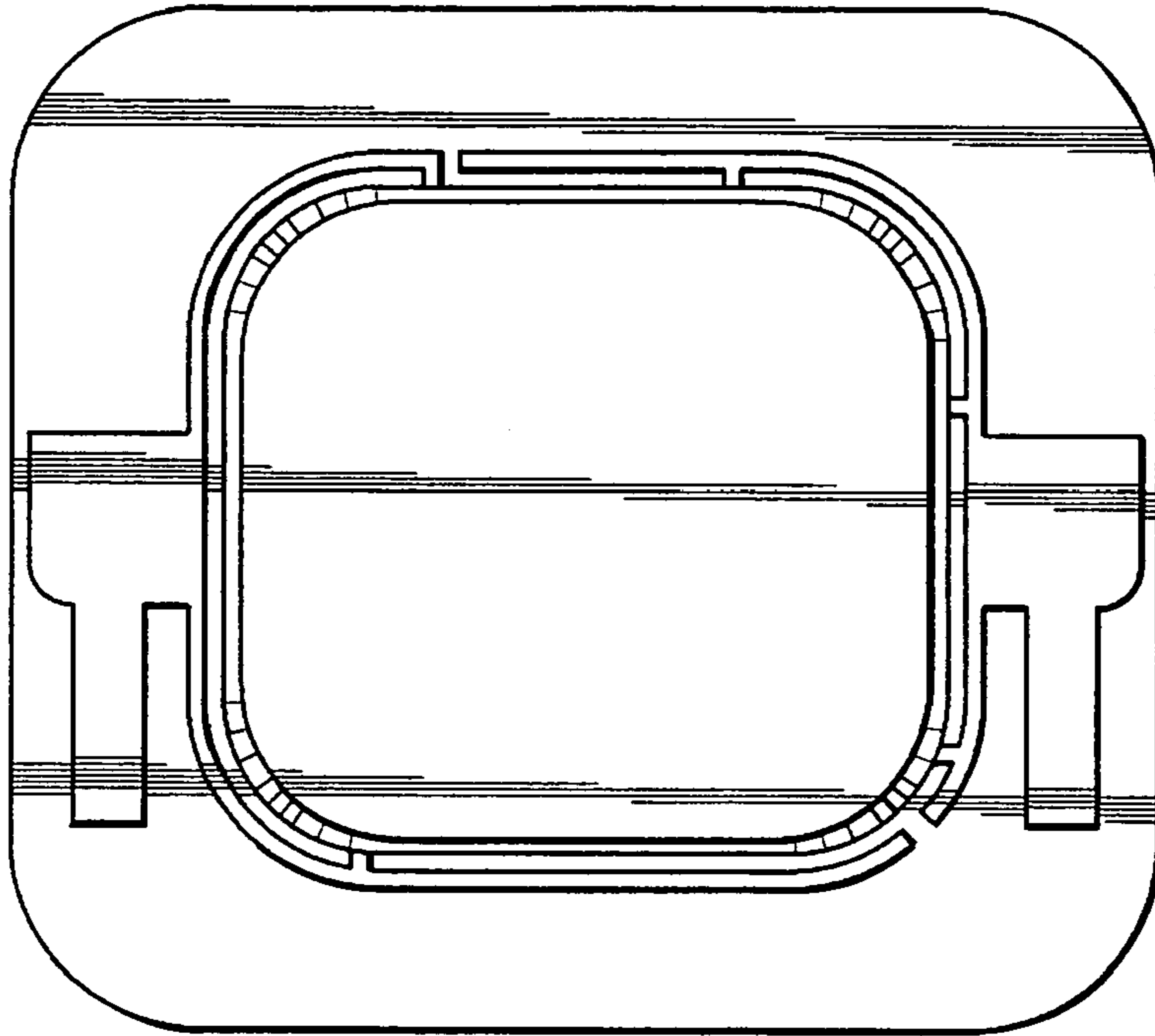


FIG. 4

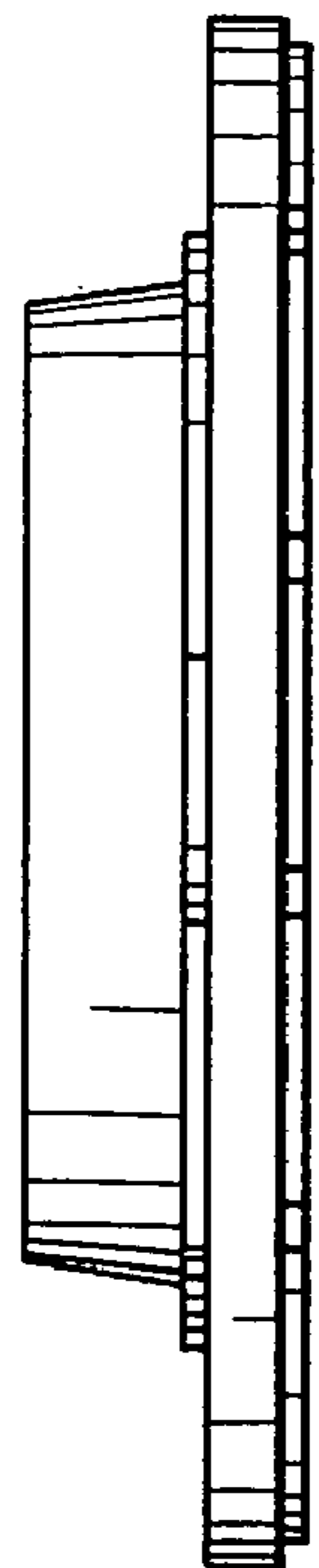


FIG. 5

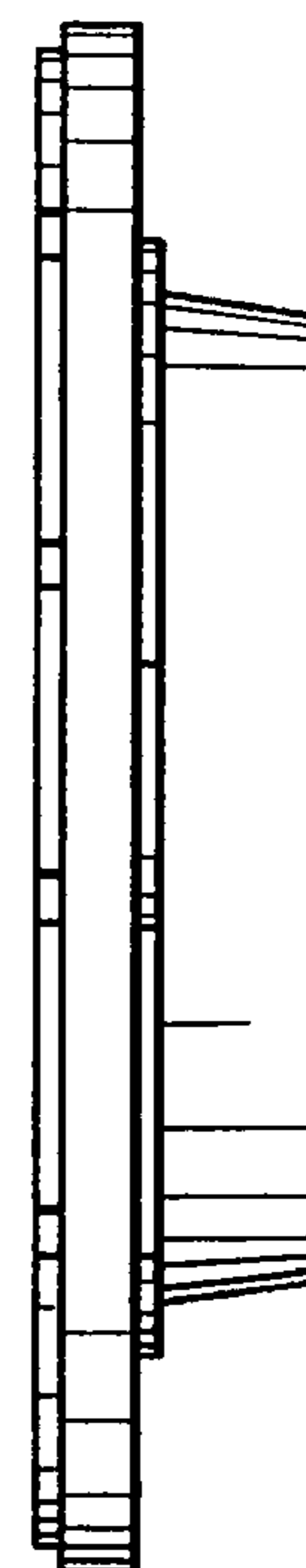


FIG. 6

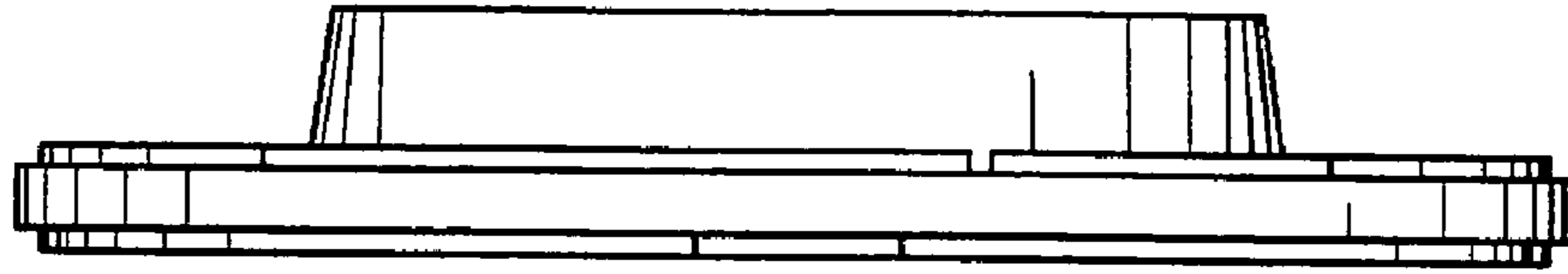


FIG. 7

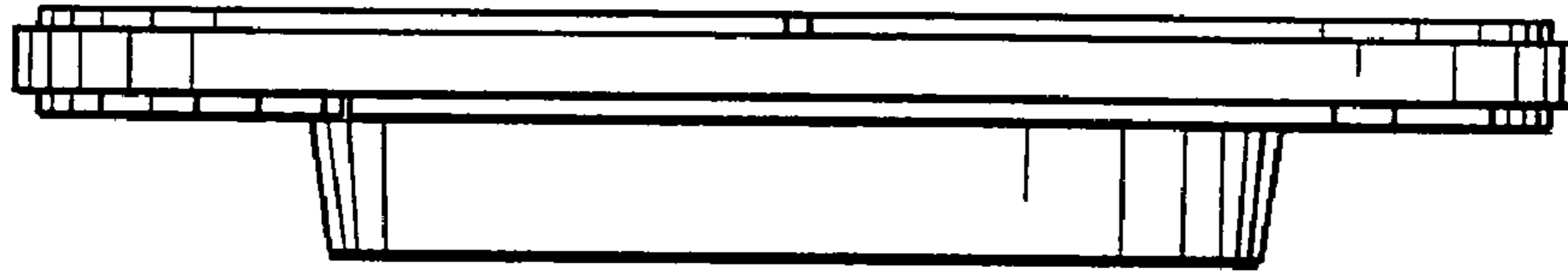


FIG. 8

