



US00D571808S

(12) **United States Design Patent**  
**Dorr et al.**

(10) **Patent No.:** **US D571,808 S**  
(45) **Date of Patent:** **\*\* Jun. 24, 2008**

(54) **PORTABLE DATA TERMINAL**

(75) Inventors: **Bill Dorr**, Keller, TX (US); **Eric C. Coleman**, Liverpool, NY (US); **Timothy R. Fitch**, Syracuse, NY (US); **Colleen P. Gannon**, Jordan, NY (US); **Jonathan T Grunow**, Indian Trail, NC (US); **Larry Keith Hooks, Jr.**, Charlotte, NC (US); **Philip Palermo**, Marietta, GA (US)

(73) Assignee: **Hand Held Products, Inc.**, Skaneateles Falls, NY (US)

(\*\*) Term: **14 Years**

(21) Appl. No.: **29/248,008**

(22) Filed: **Jul. 25, 2006**

(51) **LOC (8) Cl.** ..... **14-02**

(52) **U.S. Cl.** ..... **D14/429; D14/453**

(58) **Field of Classification Search** ..... D14/420, D14/426-430, 453, 346, 341, 347, 412; D13/107, D13/184; 358/473; 235/462.43, 462.45, 235/462.47, 462.48, 462.44, 462.46, 487, 235/472.01, 472.02; 16/110.1, 430, 431; 439/133, 135; 709/219, 201; 710/73; 320/114, 320/115, 123; 361/679; 382/313, 321; 455/575.1, 455/561, 572

See application file for complete search history.

(56) **References Cited**

**U.S. PATENT DOCUMENTS**

D334,922 S \* 4/1993 Meyerson et al. .... D14/429  
5,410,141 A \* 4/1995 Koenck et al. .... 235/472.02  
5,736,726 A \* 4/1998 VanHorn et al. .... 235/472.02  
5,763,864 A \* 6/1998 O'Hagan et al. .... 235/462.07

D399,521 S \* 10/1998 Coveley ..... D14/429  
5,818,027 A \* 10/1998 Paratore ..... 235/472.01  
D414,760 S \* 10/1999 Hetfield et al. .... D14/426  
6,109,528 A \* 8/2000 Kunert et al. .... 235/472.01  
D462,357 S \* 9/2002 Jenkins ..... D14/426  
6,758,403 B1 \* 7/2004 Keys et al. .... 235/462.45  
6,822,853 B2 \* 11/2004 Wulff et al. .... 361/680  
D512,427 S 12/2005 Choi et al.  
2004/0089722 A1 \* 5/2004 Durbin ..... 235/472.01  
2005/0017078 A1 \* 1/2005 Bhatia et al. .... 235/462.45

\* cited by examiner

*Primary Examiner*—Melanie Tung  
*Assistant Examiner*—Susan Moon Lee

(57) **CLAIM**

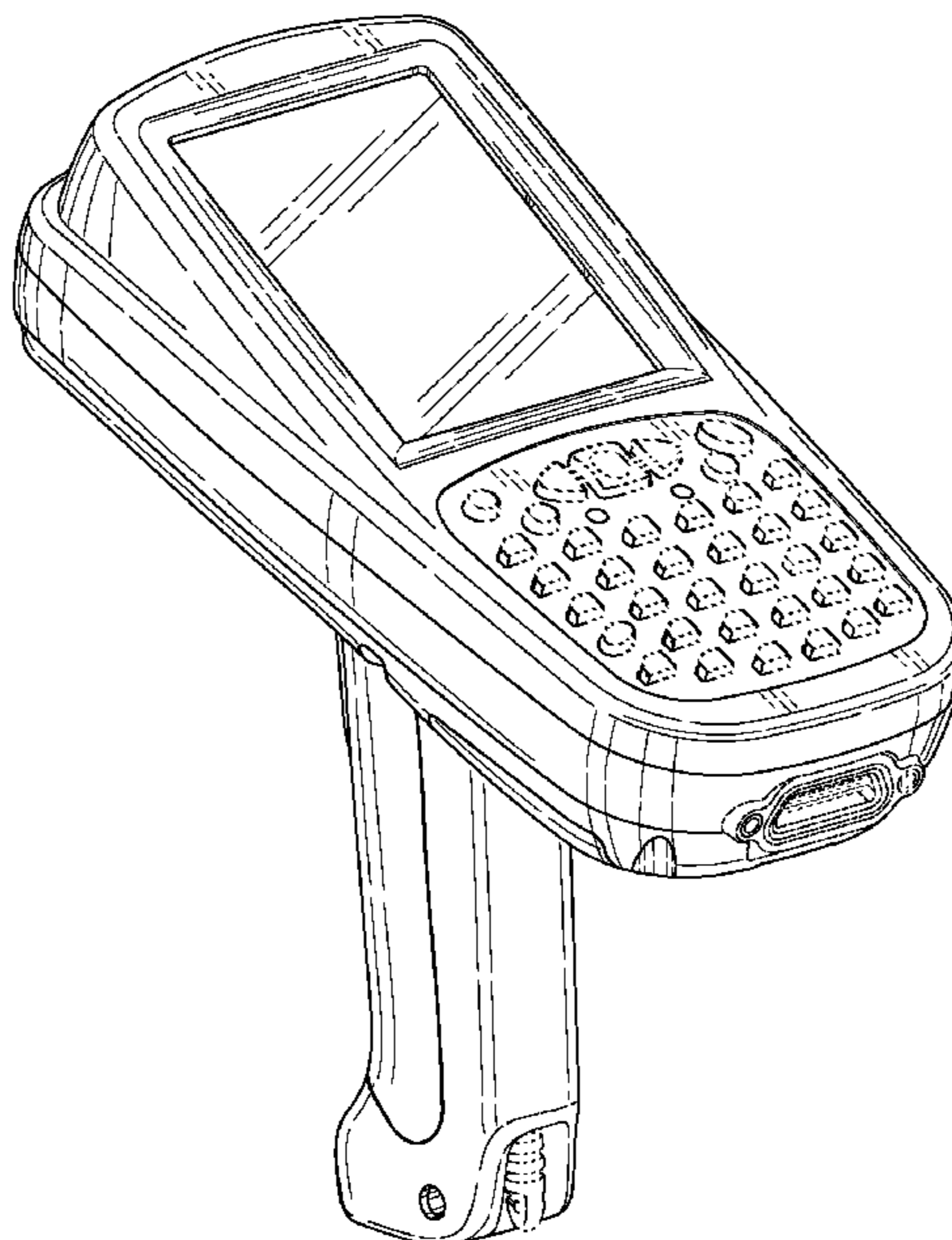
The ornamental design for a portable data terminal, as shown and described.

**DESCRIPTION**

FIG. 1 is a perspective view of a portable data terminal;  
FIG. 2 is a side of the portable data terminal shown in FIG. 1;  
FIG. 3 is another side view of the portable data terminal shown in FIG. 1;  
FIG. 4 is a front view of the portable data terminal shown in FIG. 1;  
FIG. 5 is rear view of the portable data terminal shown in FIG. 1;  
FIG. 6 is a top view of the portable data terminal shown in FIG. 1; and,  
FIG. 7 is a bottom view of the portable data terminal shown in FIG. 1.

The portions shown in broken line are for illustrative purposes only and form no part of the claimed design.

**1 Claim, 4 Drawing Sheets**



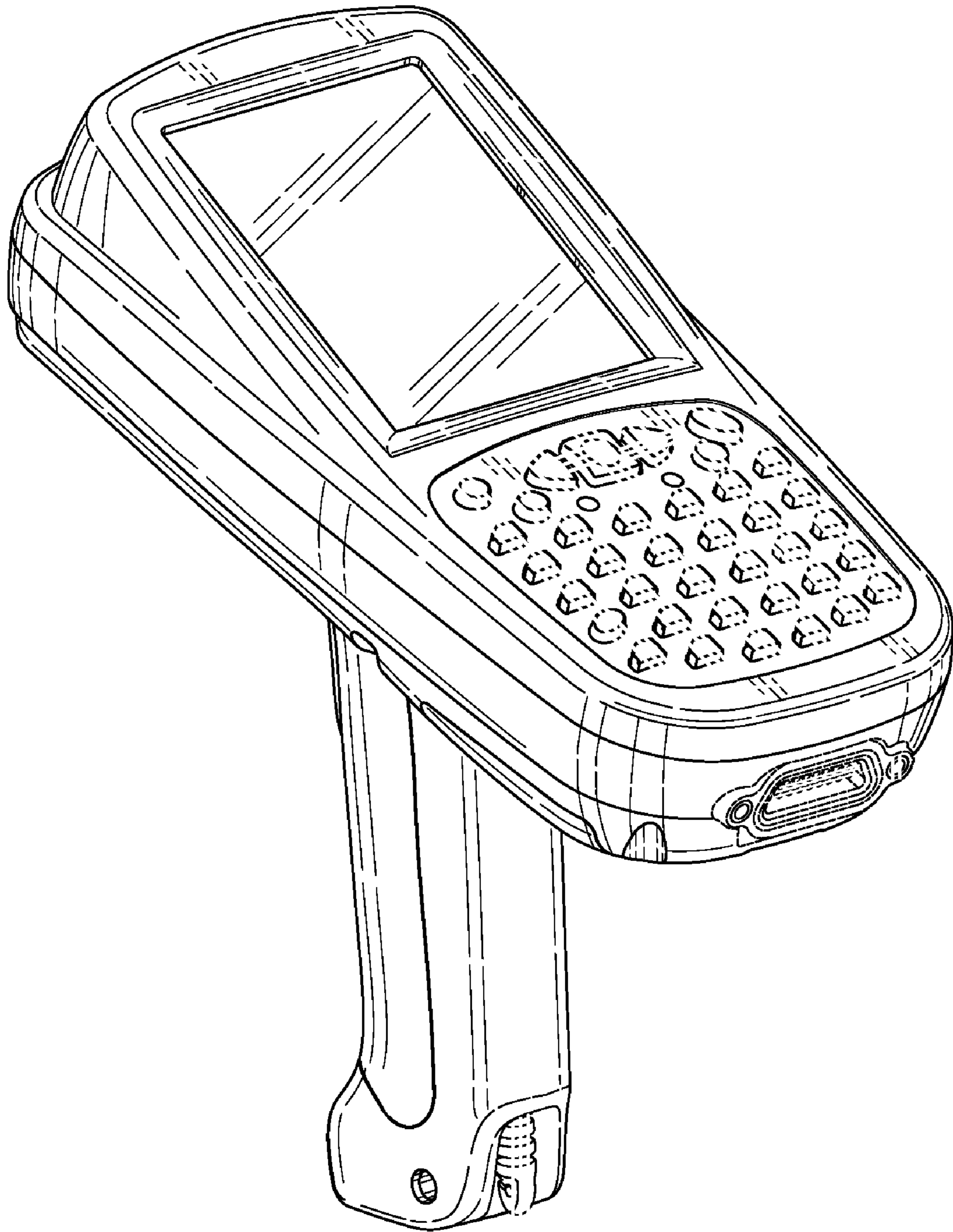


FIG. 1

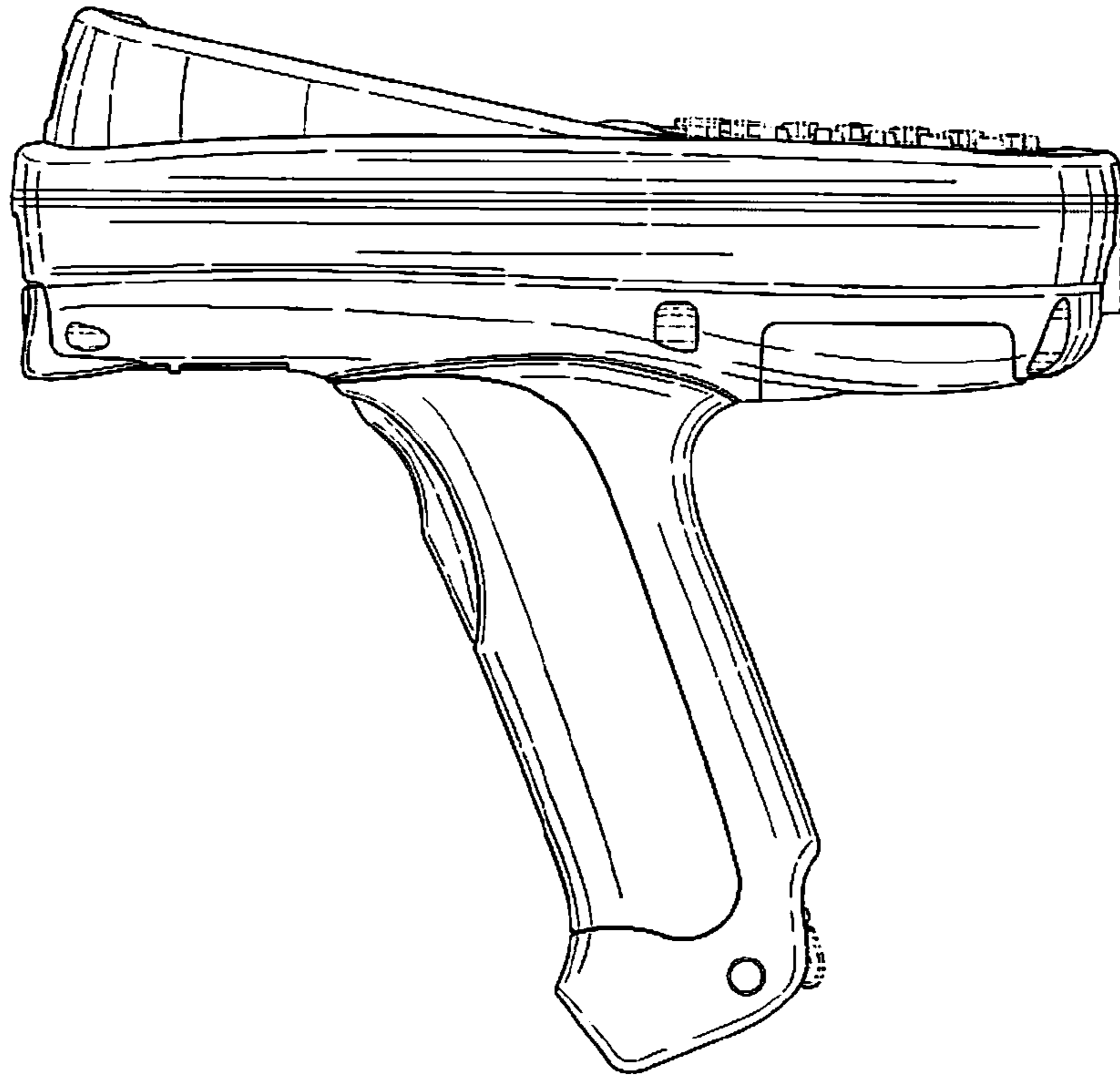


FIG. 2

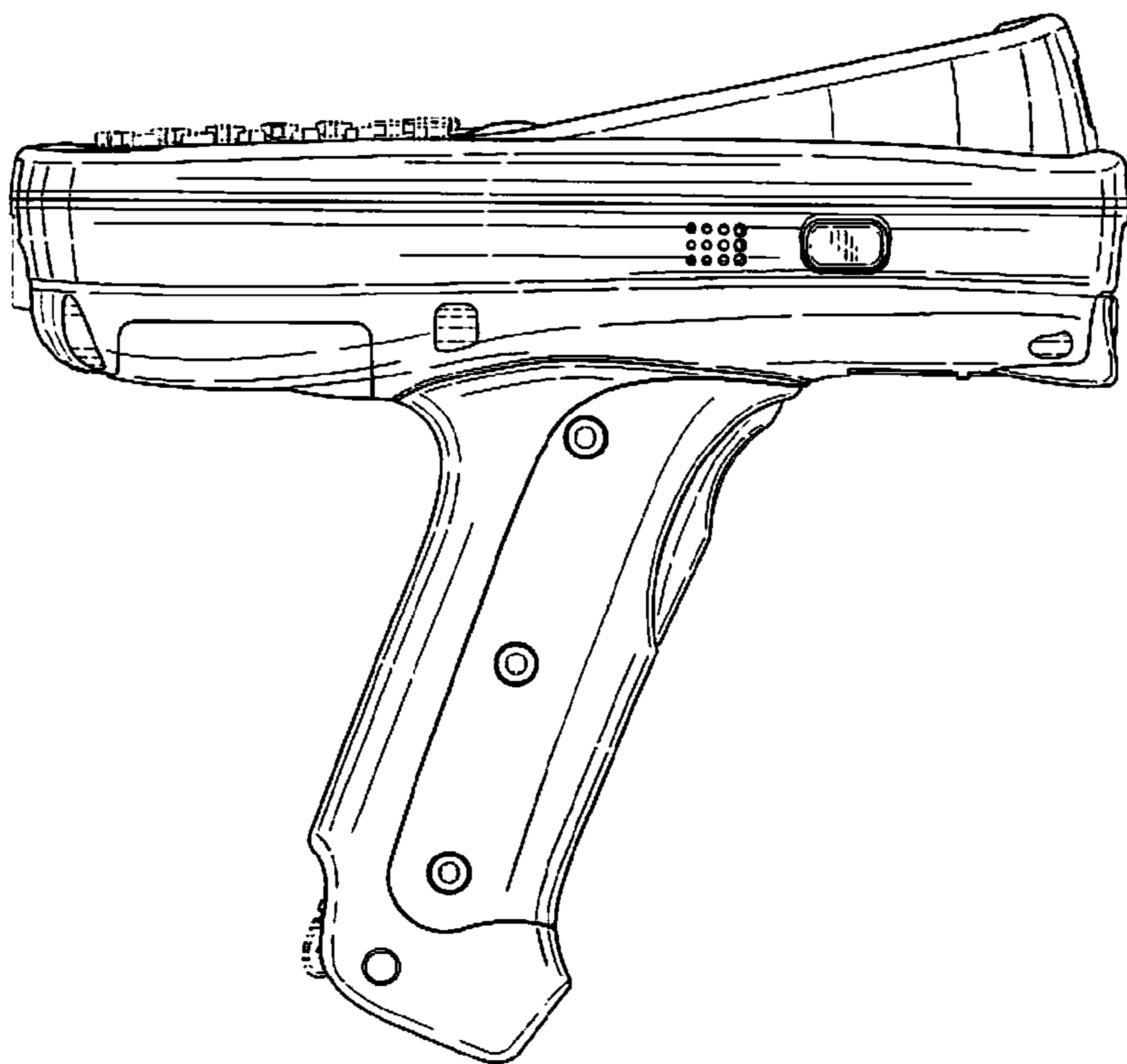


FIG. 3

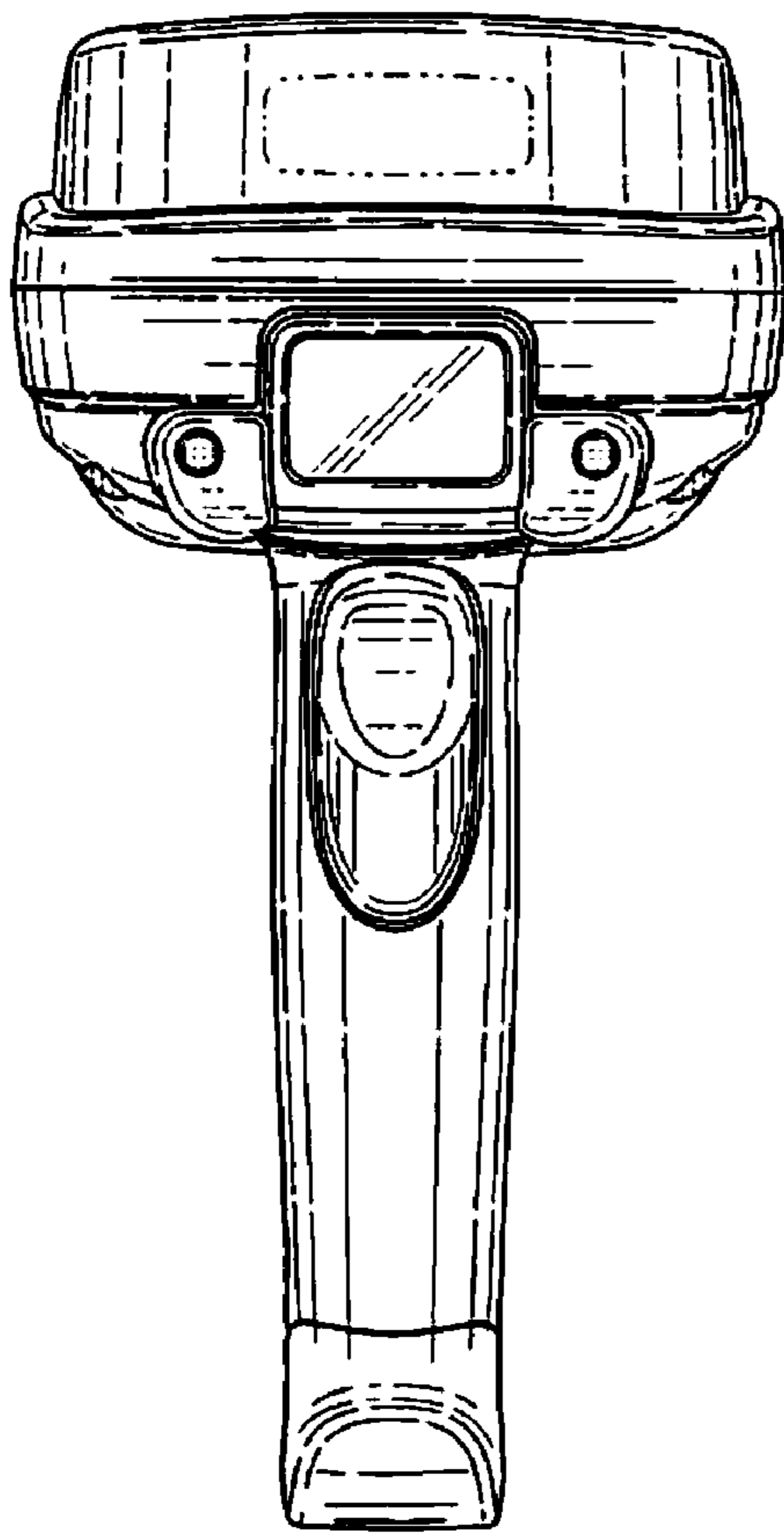


FIG. 4

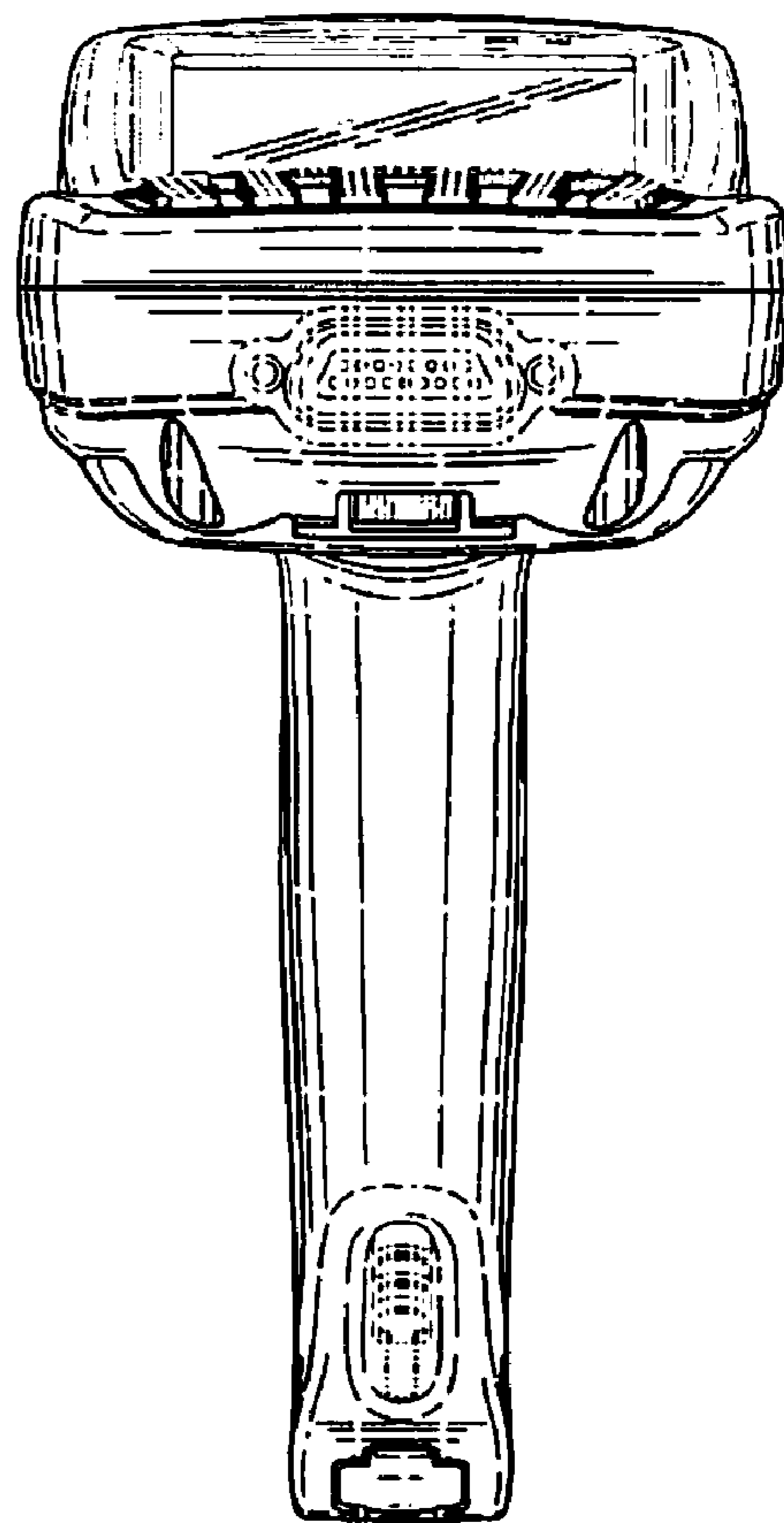


FIG. 5

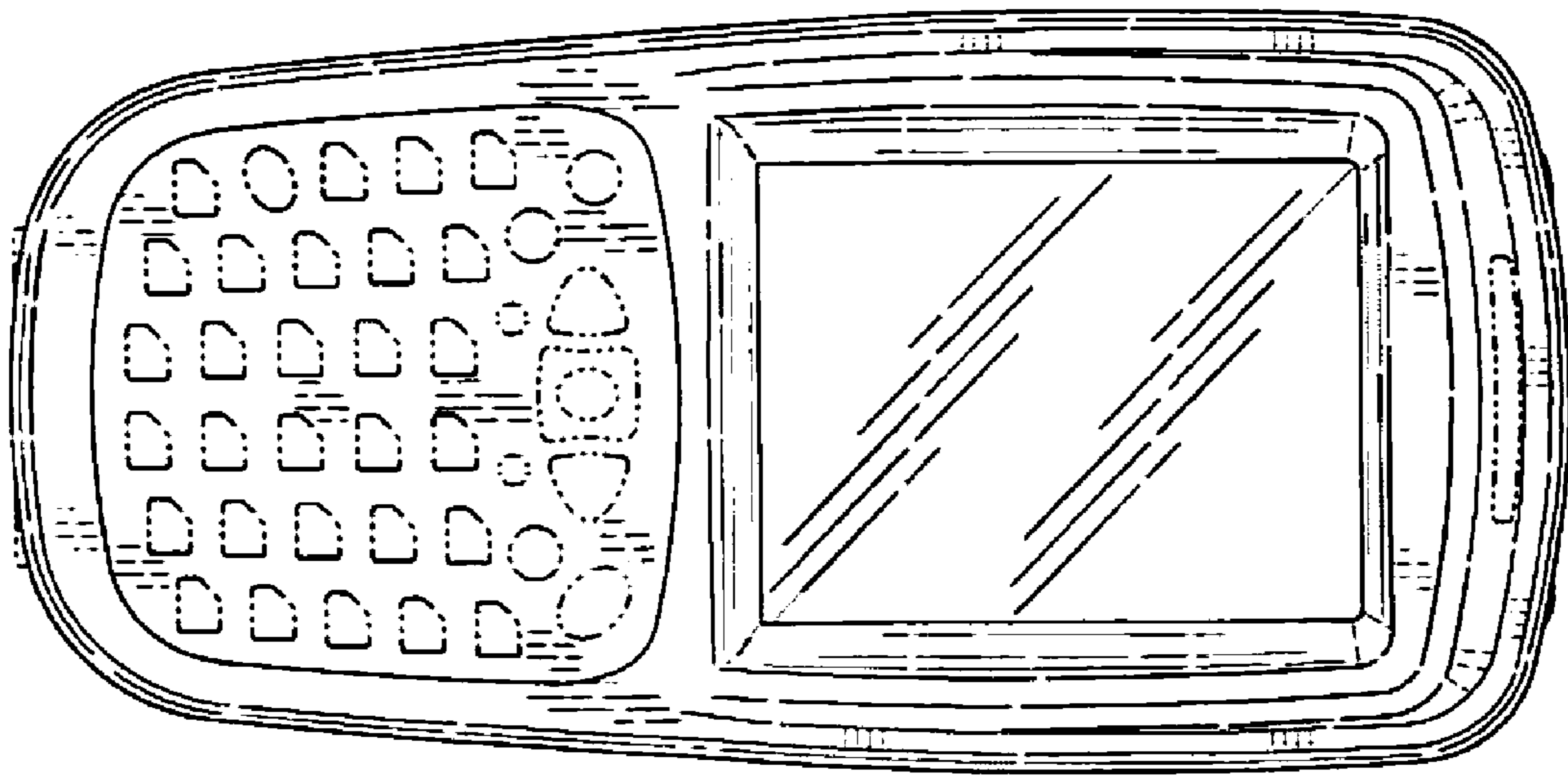


FIG. 6

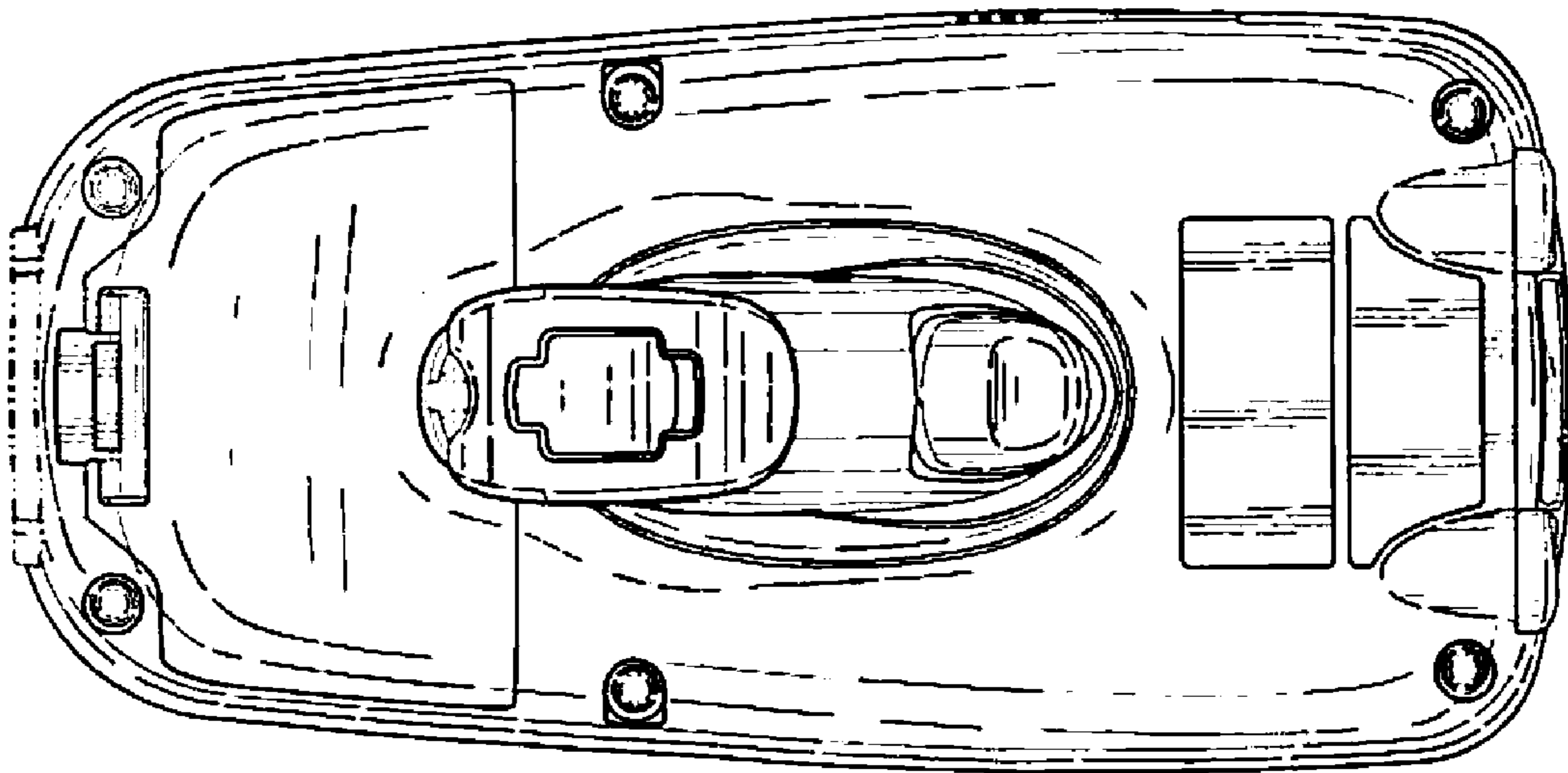


FIG. 7