



US00D571807S

(12) **United States Design Patent**
Ogawa

(10) **Patent No.:** **US D571,807 S**
(45) **Date of Patent:** **** Jun. 24, 2008**

(54) **SCANNER**

(75) Inventor: **Junichi Ogawa**, Kadoma (JP)

(73) Assignee: **Matsushita Electric Industrial Co., Ltd.**, Osaka (JP)

(**) Term: **14 Years**

(21) Appl. No.: **29/282,476**

(22) Filed: **Jul. 20, 2007**

(51) **LOC (8) Cl.** **14-02**

(52) **U.S. Cl.** **D14/422**

(58) **Field of Classification Search** D14/420-425,
D14/462-470, 389, 125, 399; D18/50, 54,
D18/55, 53, 36-39, 14, 18-21, 49, 52, 51,
D18/54.4; 358/400, 401, 448, 474, 486-488,
358/496; 382/312, 317, 321, 315; 400/613,
400/613.1-613.4, 690.1-690.4, 691-694,
400/88, 175; 399/107, 379, 380, 211, 212;
235/462.11, 462.41, 472.01, 470, 462.43;
361/680, 681

See application file for complete search history.

(56) **References Cited**

U.S. PATENT DOCUMENTS

D387,085 S * 12/1997 Masujima et al. D18/54
D389,861 S 1/1998 Kobayashi et al.
D419,973 S * 2/2000 Ueda D14/434
D421,455 S * 3/2000 Kobayashi et al. D18/54

D425,552 S 5/2000 Kobayashi et al.
D439,272 S * 3/2001 Kobayashi et al. D18/50
D441,394 S * 5/2001 Kobayashi et al. D18/54
D456,445 S * 4/2002 Kusanagi D18/55
D461,492 S * 8/2002 Bishop et al. D18/55
D474,501 S * 5/2003 Hayashi D18/55
D522,046 S * 5/2006 Iritani et al. D18/55
D522,572 S * 6/2006 Lee et al. D18/55
D523,069 S 6/2006 Akahane et al.

* cited by examiner

Primary Examiner—Melanie Tung

Assistant Examiner—Susan Moon Lee

(74) *Attorney, Agent, or Firm*—Brinks Hofer Gilson & Lione

(57) **CLAIM**

I claim the ornamental design for a scanner, as shown and described.

DESCRIPTION

FIG. 1 is a top perspective view of a scanner of the present invention;

FIG. 2 is a front view thereof;

FIG. 3 is a rear view thereof;

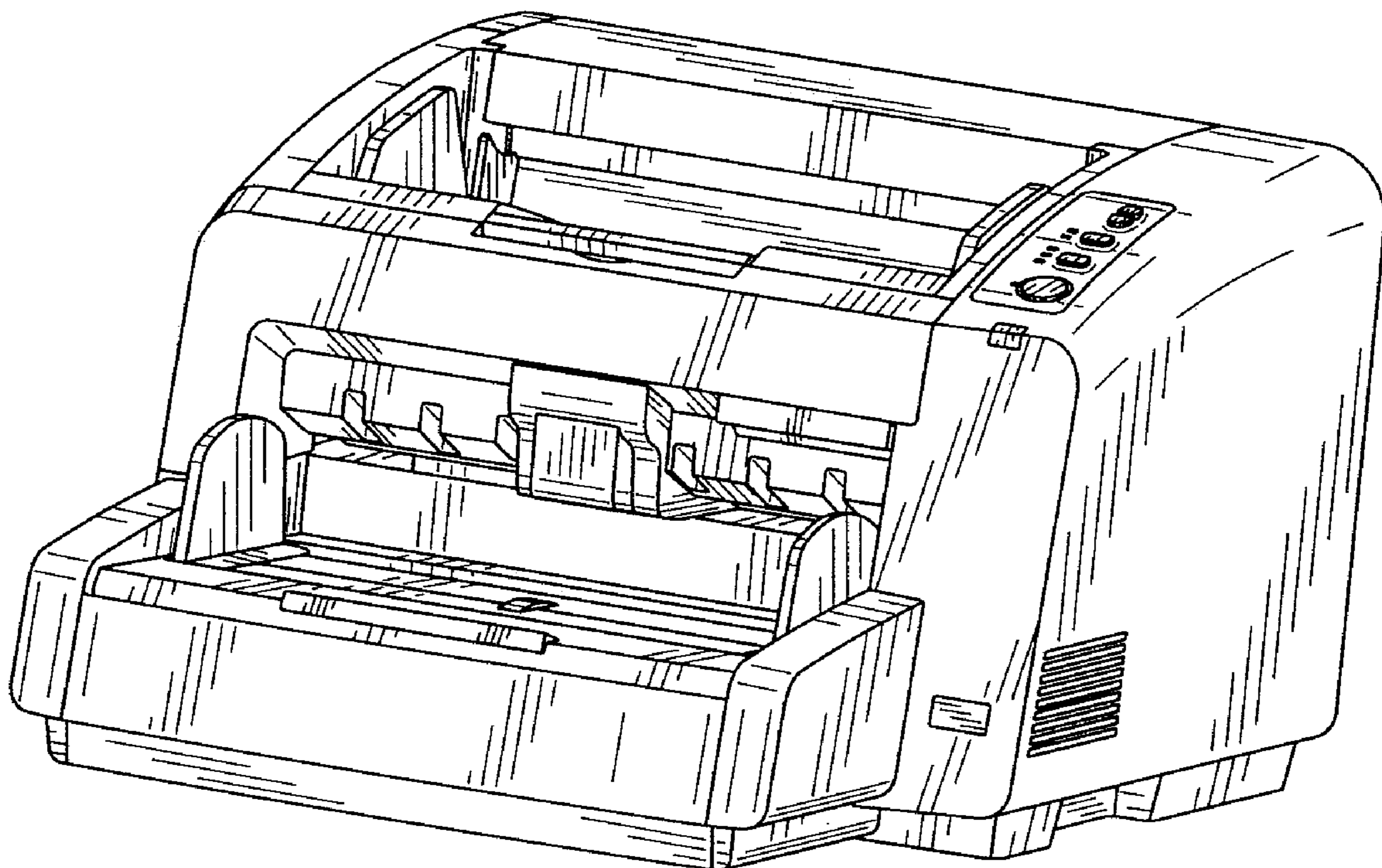
FIG. 4 is a first side view thereof;

FIG. 5 is a second side view thereof;

FIG. 6 is a top view thereof; and,

FIG. 7 is a bottom view thereof.

1 Claim, 7 Drawing Sheets



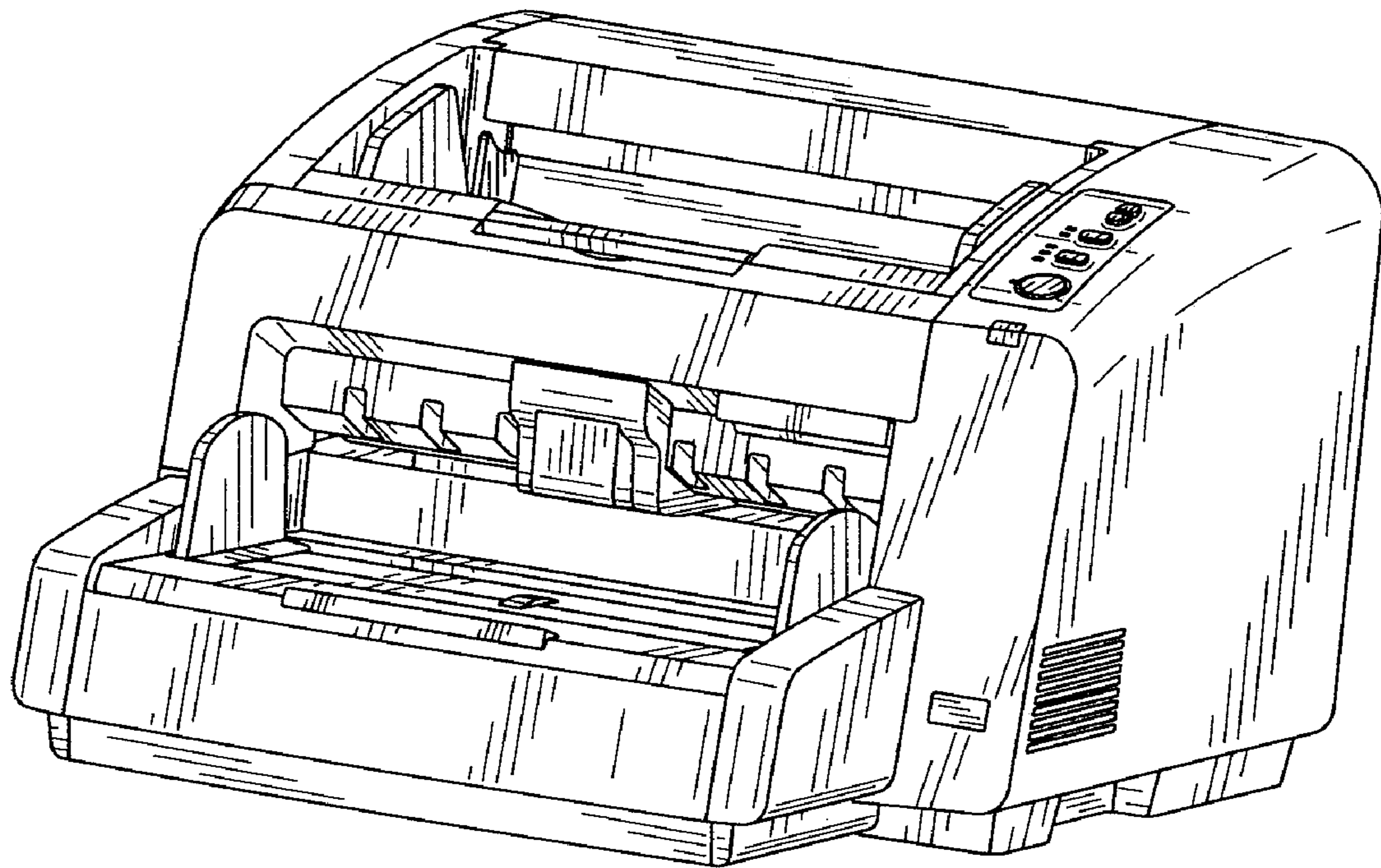


FIG. 1

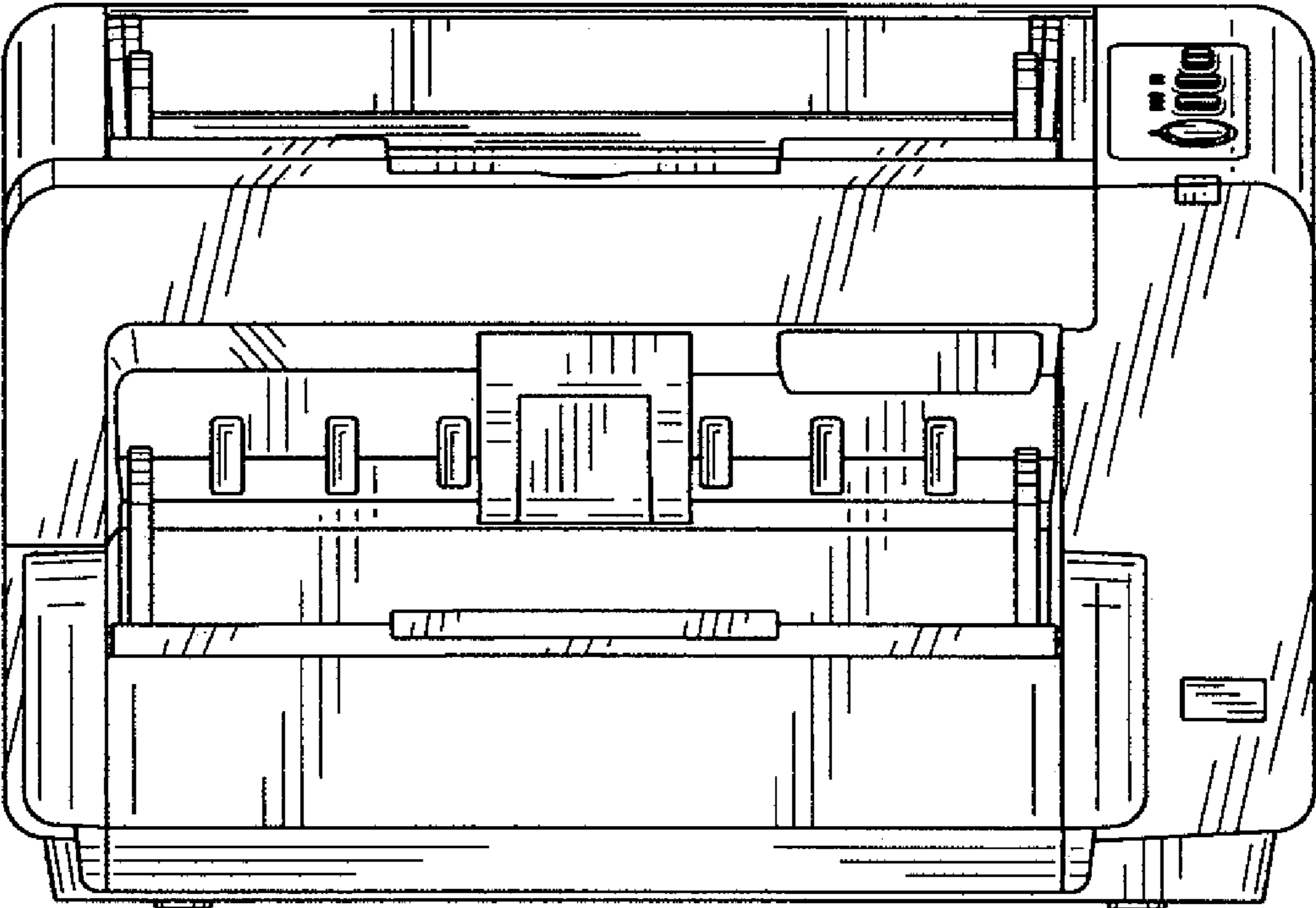


FIG.2

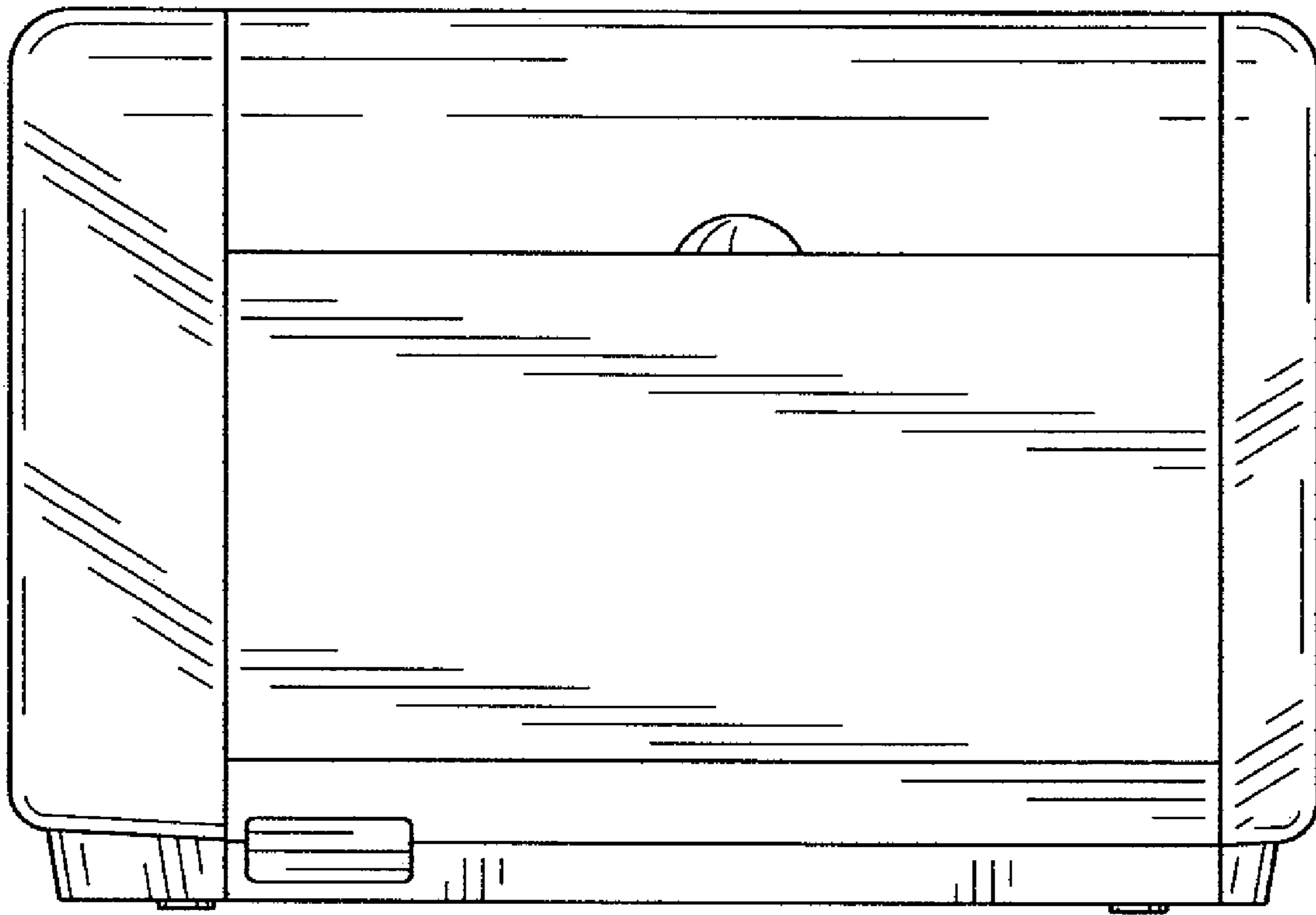


FIG. 3

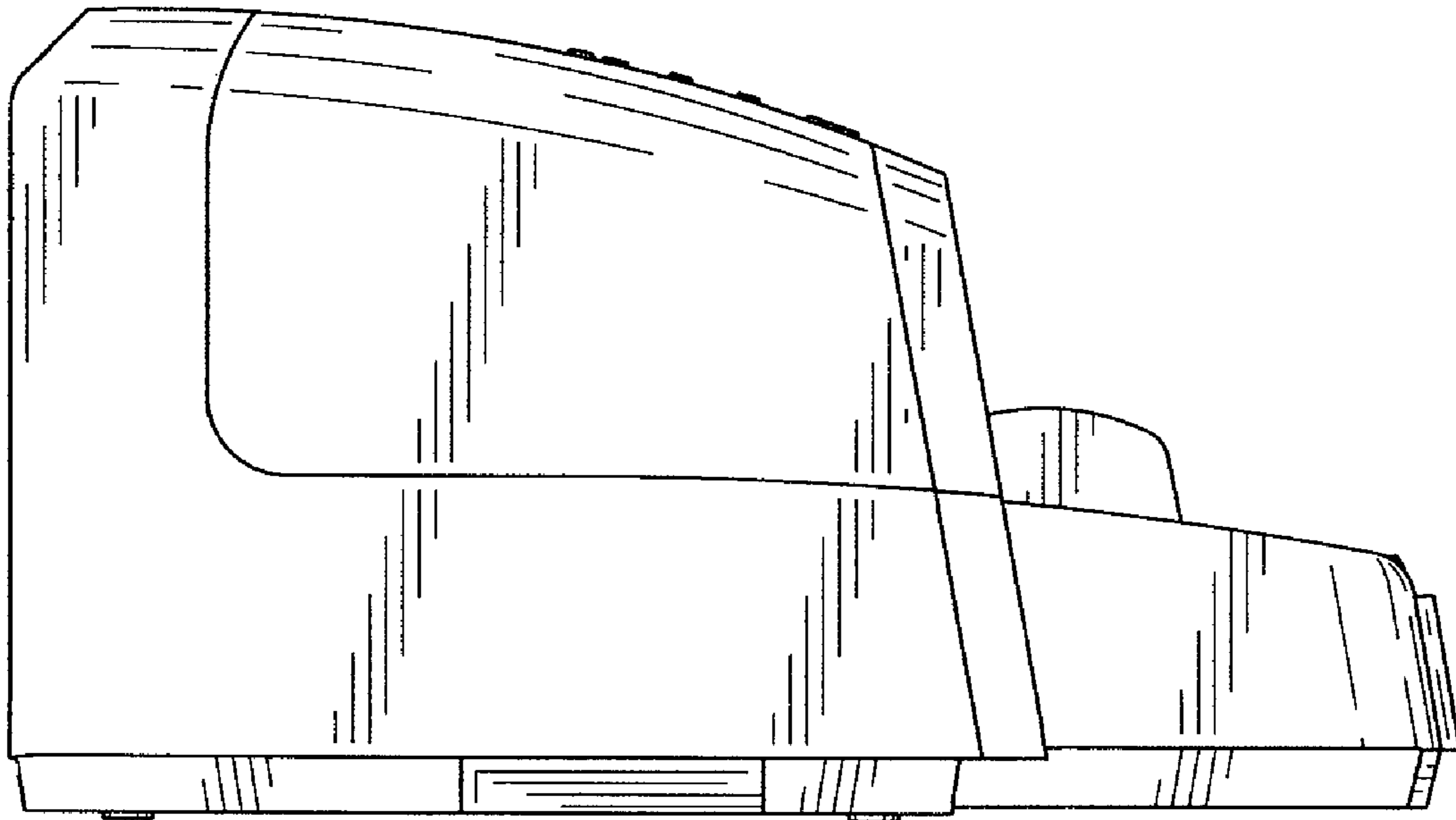


FIG.4

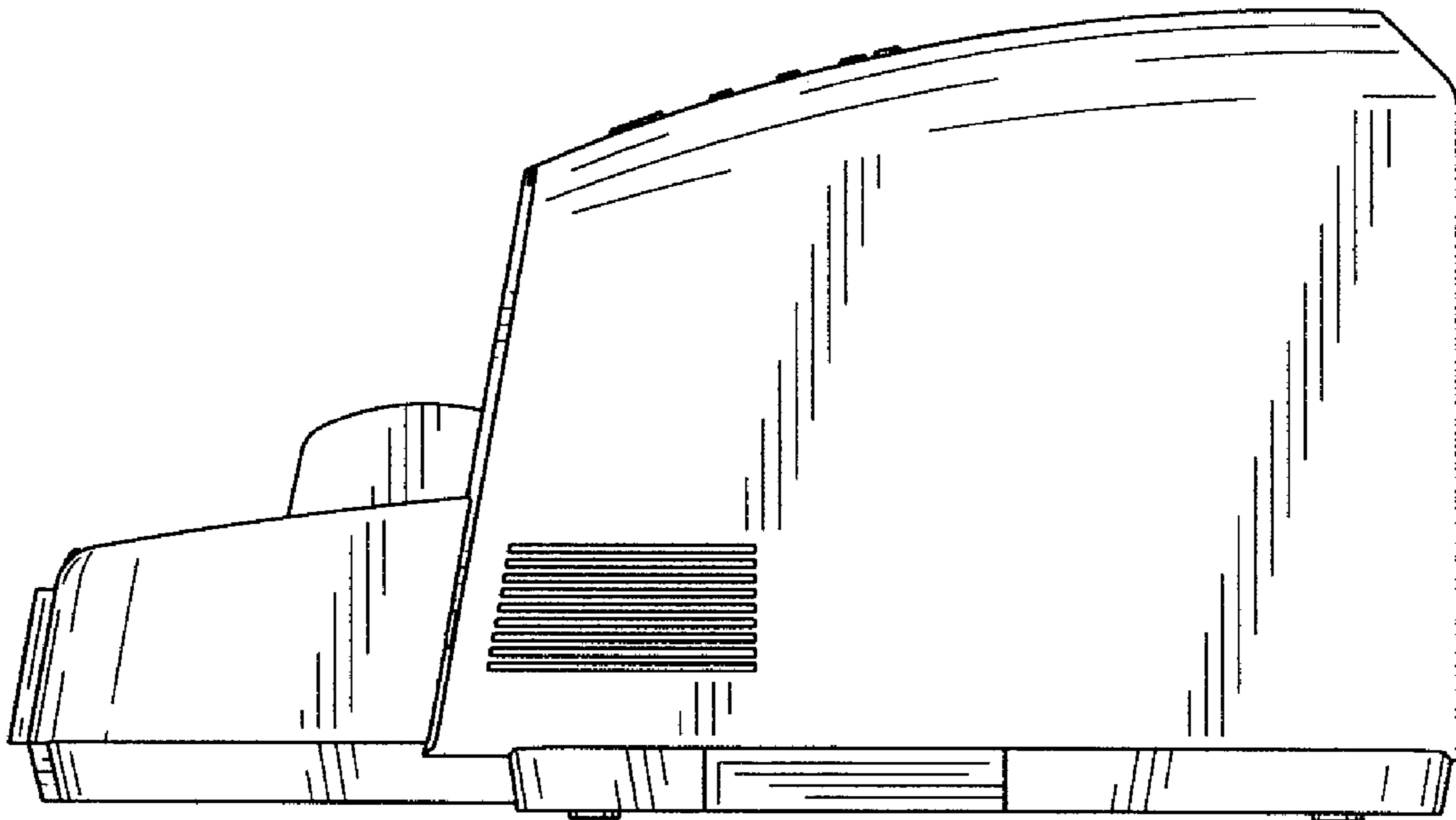


FIG.5

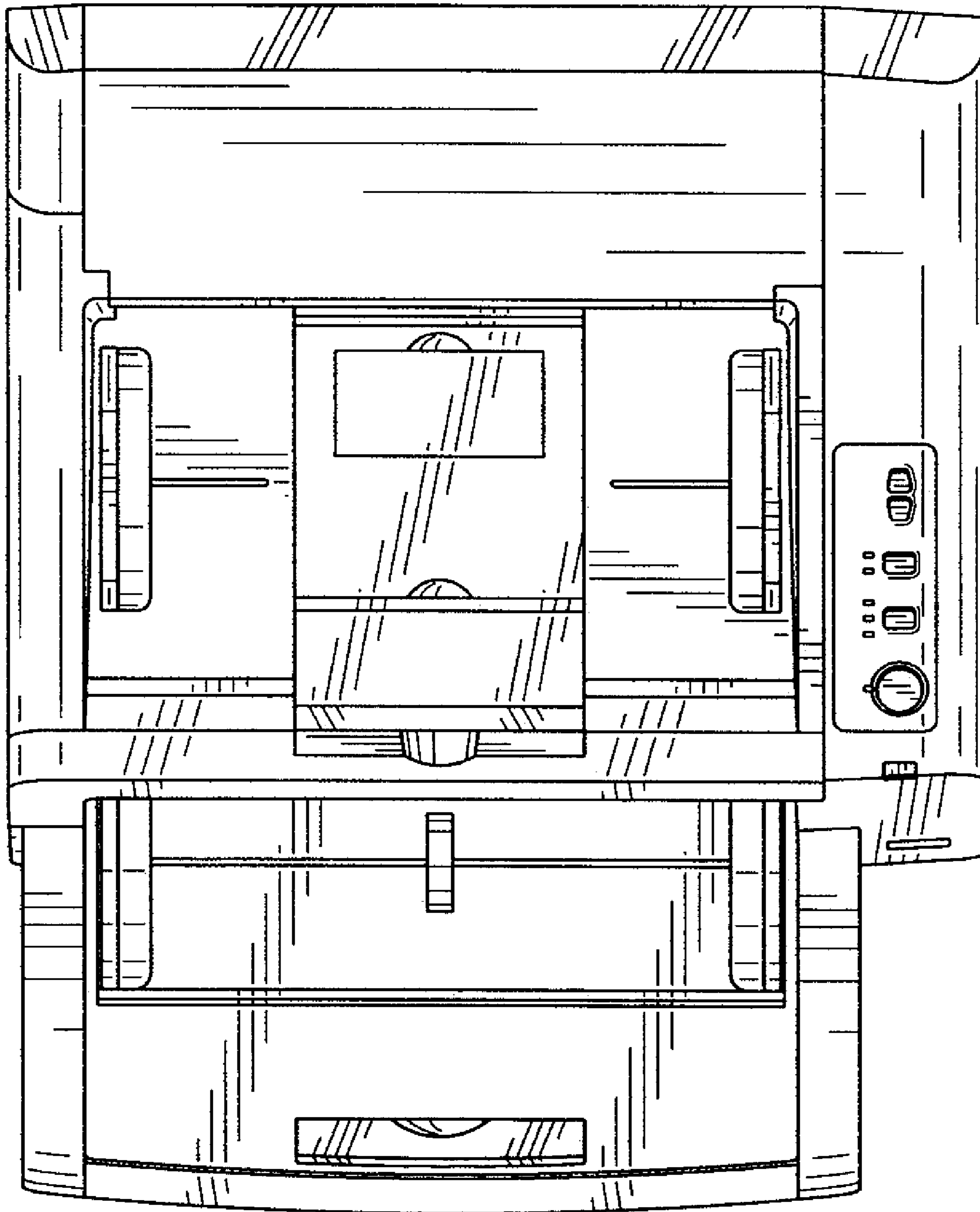


FIG.6

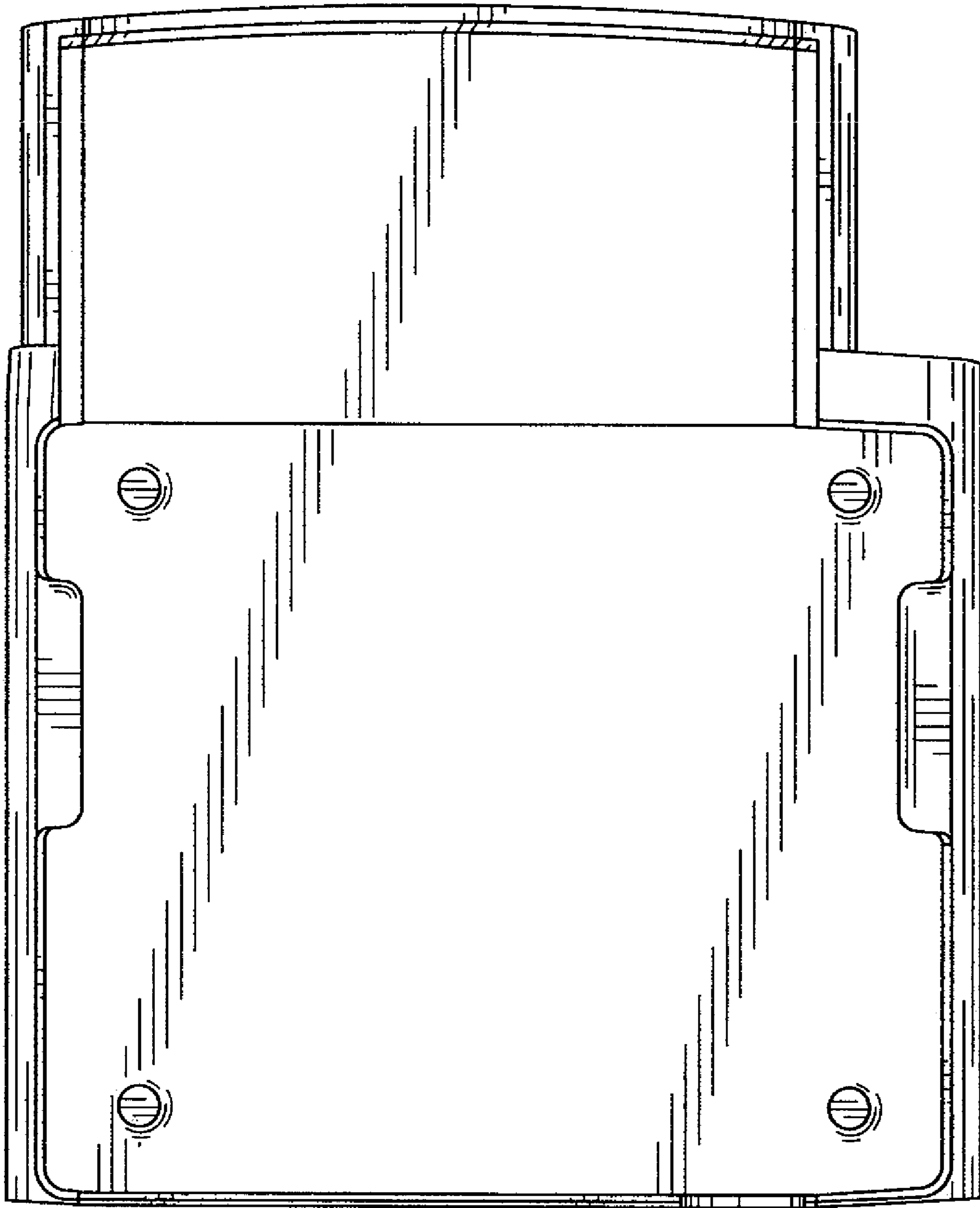


FIG. 7