



US00D571806S

(12) **United States Design Patent**  
**Goto**

(10) **Patent No.:** **US D571,806 S**  
(45) **Date of Patent:** **\*\* Jun. 24, 2008**

(54) **VIDEO GAME CONTROLLER**

(75) Inventor: **Teiyu Goto**, Saitama (JP)

(73) Assignee: **Sony Computer Entertainment Inc.**,  
Tokyo (JP)

(\*\*) Term: **14 Years**

(21) Appl. No.: **29/246,768**

(22) Filed: **May 8, 2006**

(51) **LOC (8) Cl.** ..... **14-02**

(52) **U.S. Cl.** ..... **D14/401; D21/333**

(58) **Field of Classification Search** ..... D14/217,  
D14/218, 300, 356, 388, 399, 400, 401, 412-416,  
D14/432, 454-457; D21/324, 329, 331-333;  
463/1, 30, 36-38, 46, 47; 273/148 B, 148 R;  
345/156-161, 905

See application file for complete search history.

(56) **References Cited**

**U.S. PATENT DOCUMENTS**

|              |         |              |       |         |
|--------------|---------|--------------|-------|---------|
| D398,032 S * | 9/1998  | Goto         | ..... | D21/333 |
| D417,664 S * | 12/1999 | Goto         | ..... | D14/401 |
| D420,660 S * | 2/2000  | Chen         | ..... | D14/401 |
| D425,047 S * | 5/2000  | Tyler et al. | ..... | D14/401 |
| D439,580 S * | 3/2001  | Goto         | ..... | D14/413 |
| D441,369 S * | 5/2001  | Goto         | ..... | D14/413 |

|                   |        |              |       |         |
|-------------------|--------|--------------|-------|---------|
| D443,618 S *      | 6/2001 | Goto         | ..... | D14/413 |
| D522,012 S *      | 5/2006 | Hayes et al. | ..... | D14/454 |
| 2001/0018363 A1 * | 8/2001 | Goto et al.  | ..... | 463/37  |
| 2004/0082382 A1 * | 4/2004 | Goto et al.  | ..... | 463/37  |

\* cited by examiner

*Primary Examiner*—Stella M. Reid

*Assistant Examiner*—Keli L Acker

(74) *Attorney, Agent, or Firm*—Martine Penilla &  
Gencarella, LLP

(57) **CLAIM**

The ornamental design for a video game controller, as shown and described.

**DESCRIPTION**

FIG. 1 is a top plan view of a video game controller,

FIG. 2 is a bottom plan view thereof;

FIG. 3 is a left side elevational view thereof;

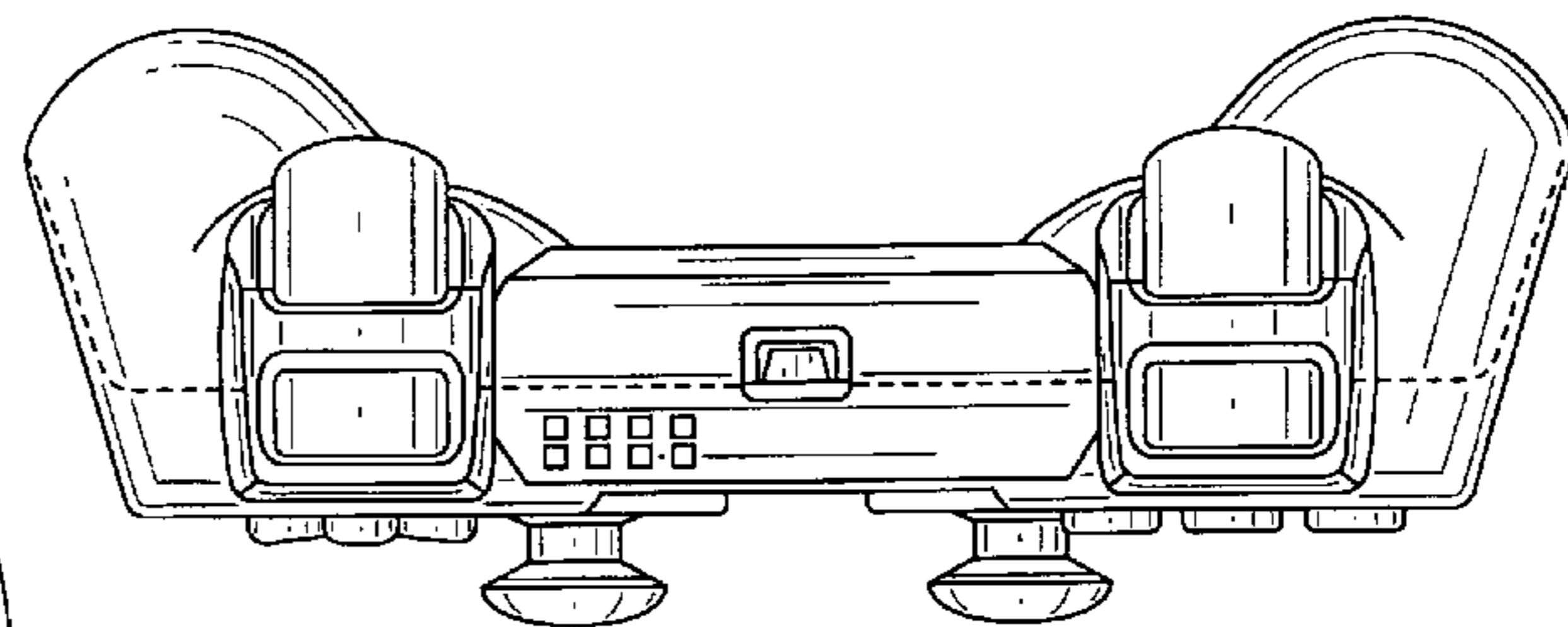
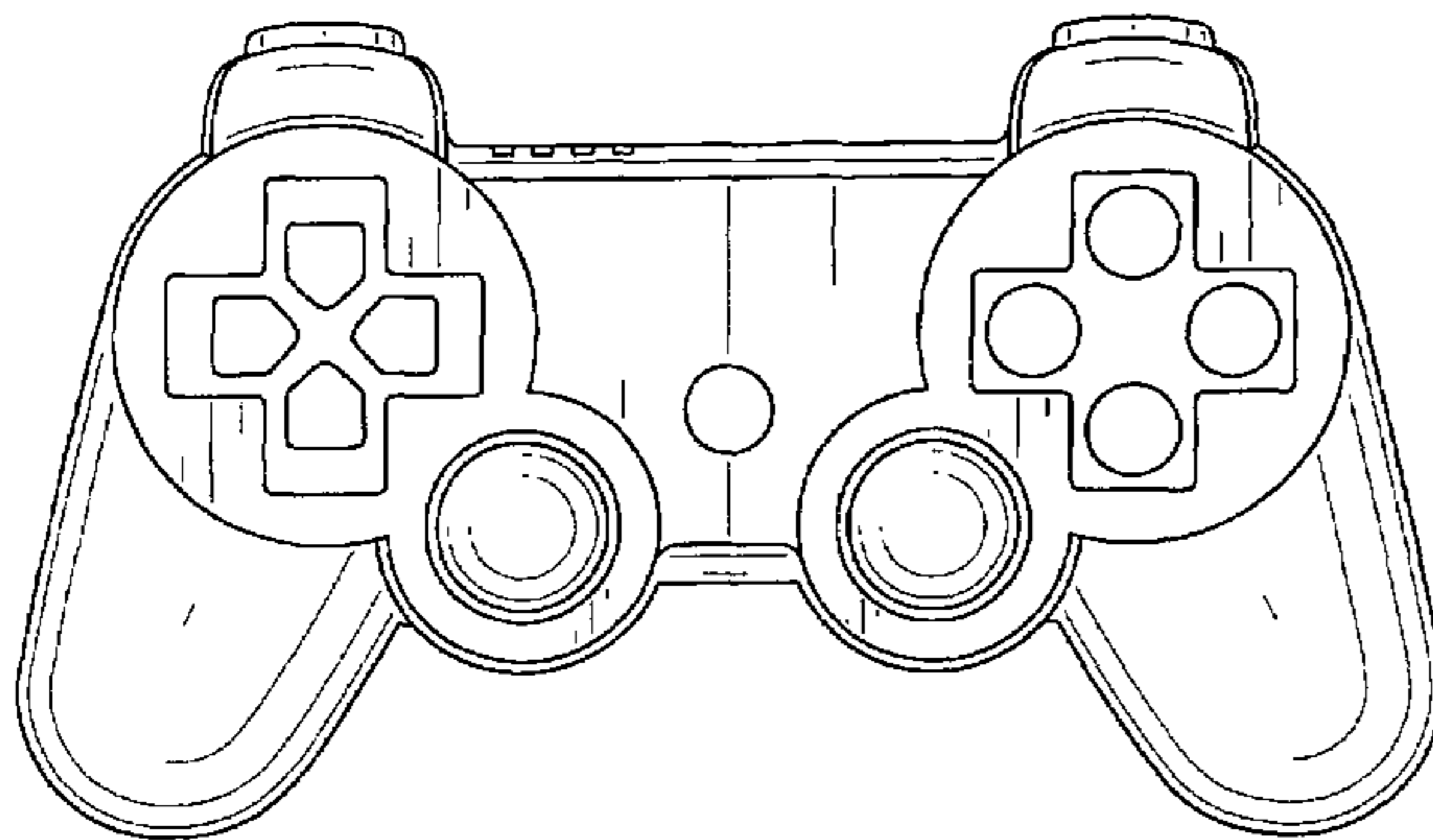
FIG. 4 is a right side elevational view thereof;

FIG. 5 is a front elevational view thereof; and,

FIG. 6 is a rear elevational view thereof.

The broken line showing of the video game controller is included for the purpose of illustrating environmental structure and forms no part of the claimed design.

**1 Claim, 3 Drawing Sheets**



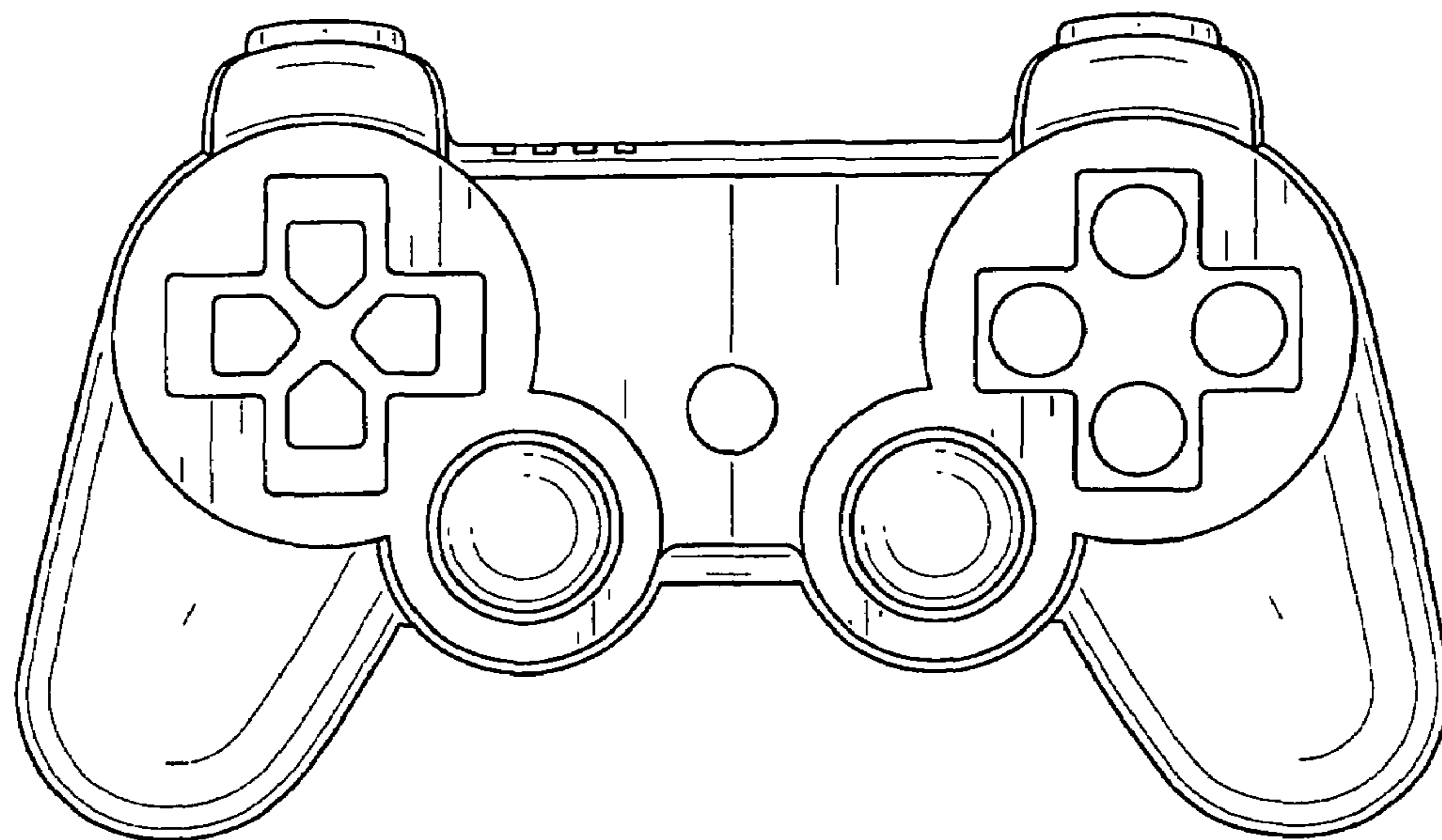


FIG. 1

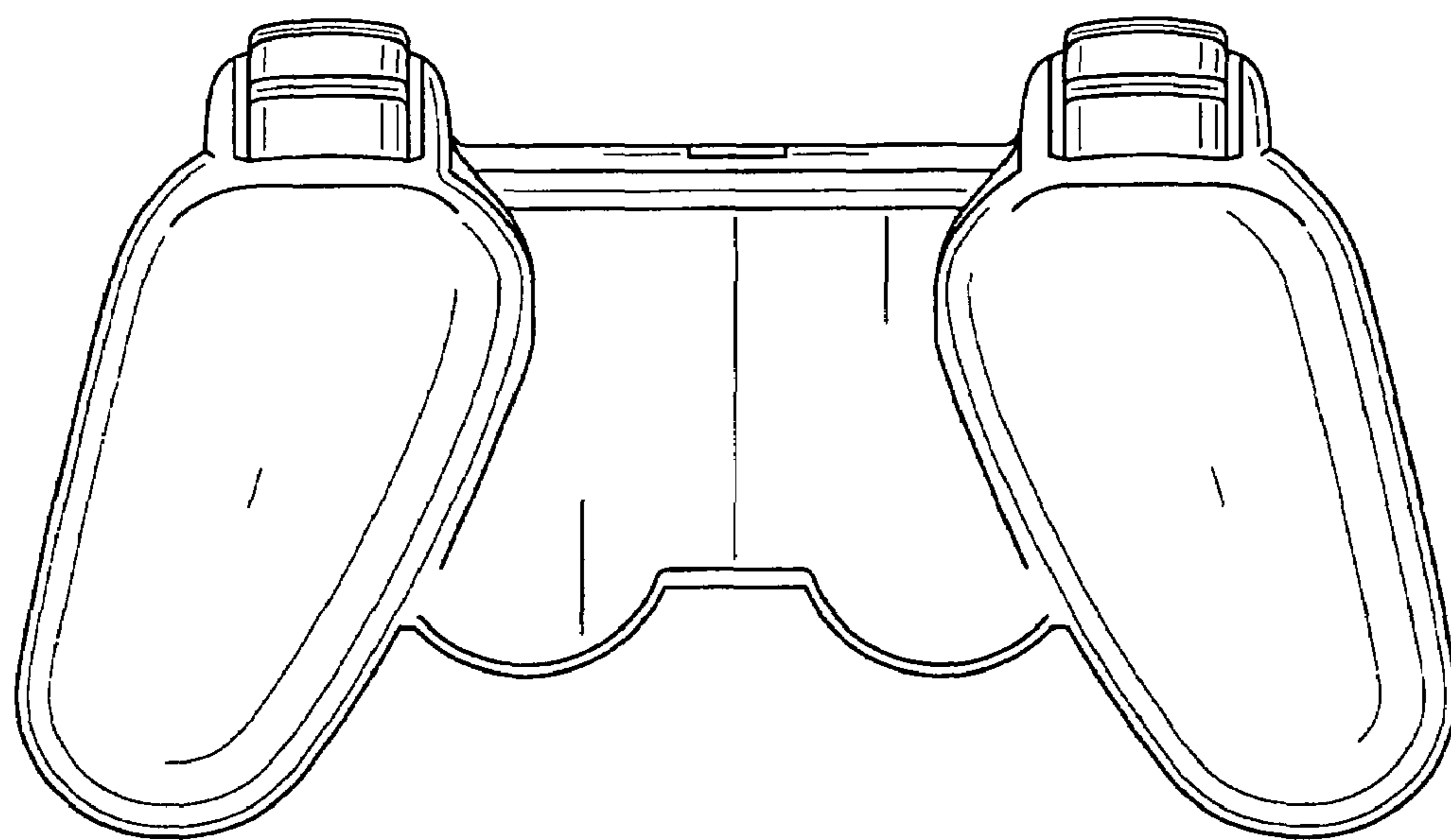


FIG. 2

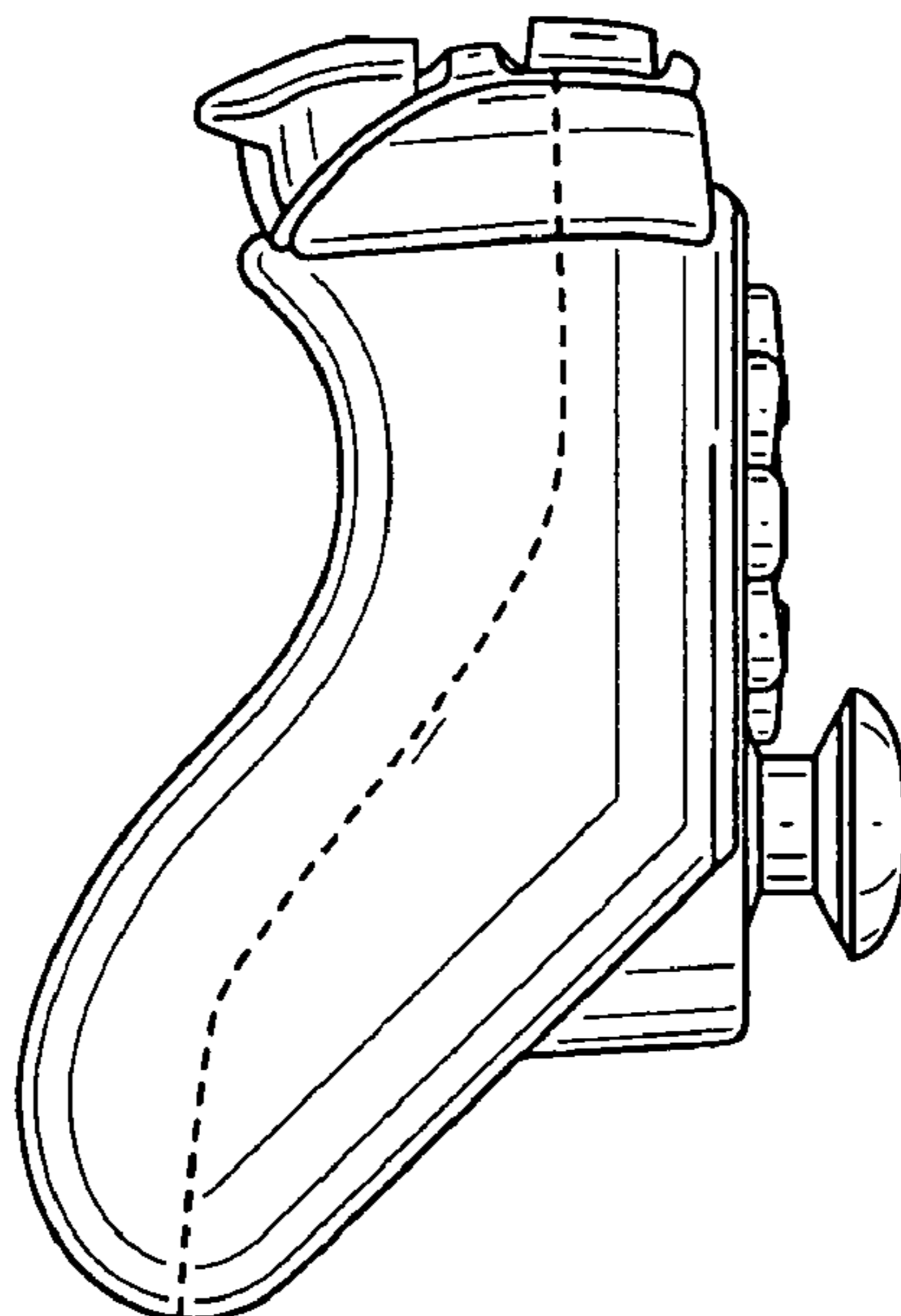


FIG. 3

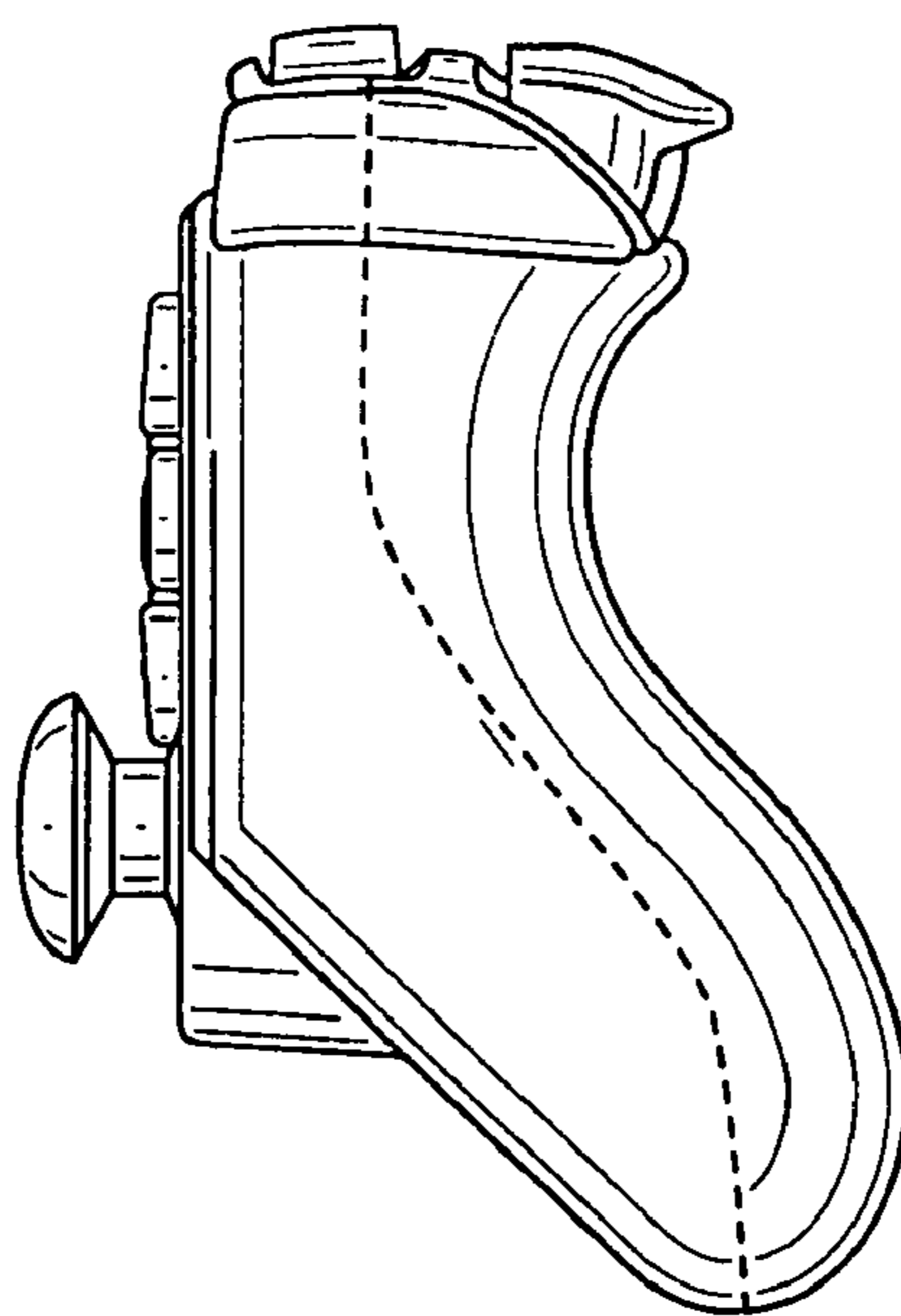


FIG. 4

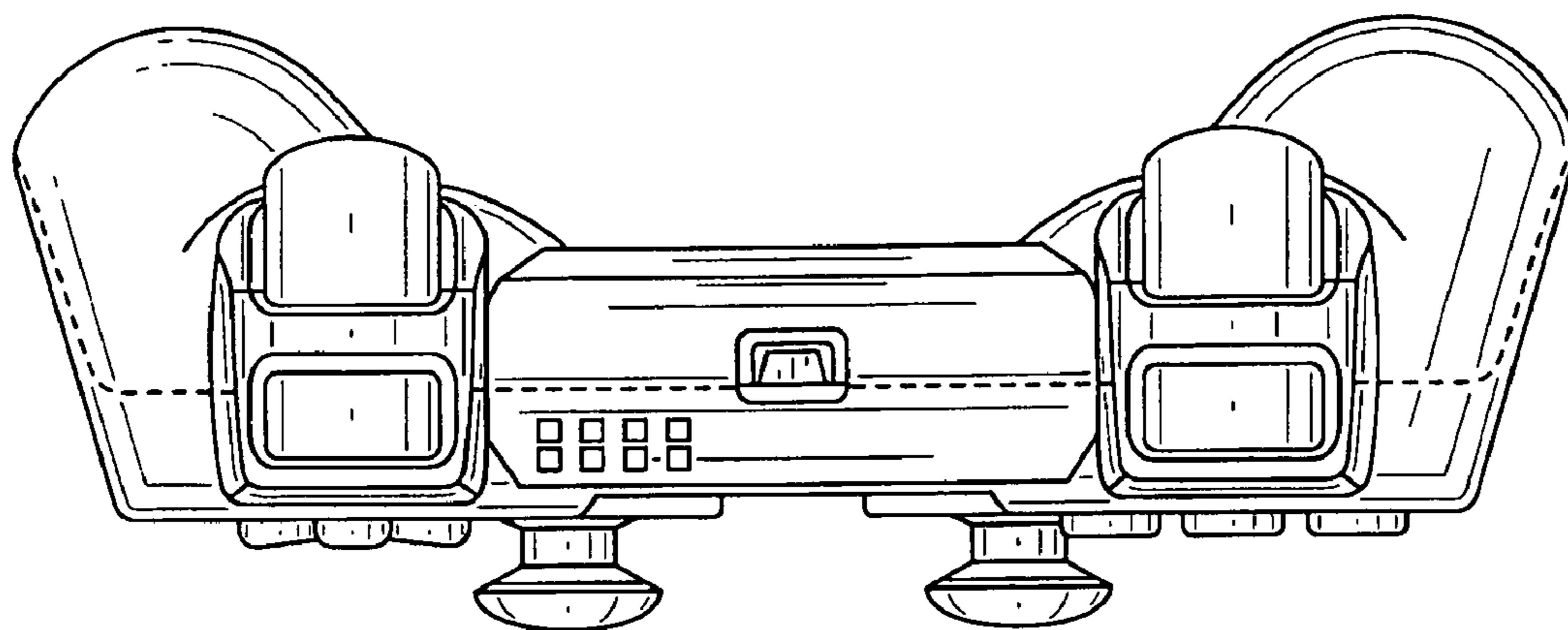


FIG. 5

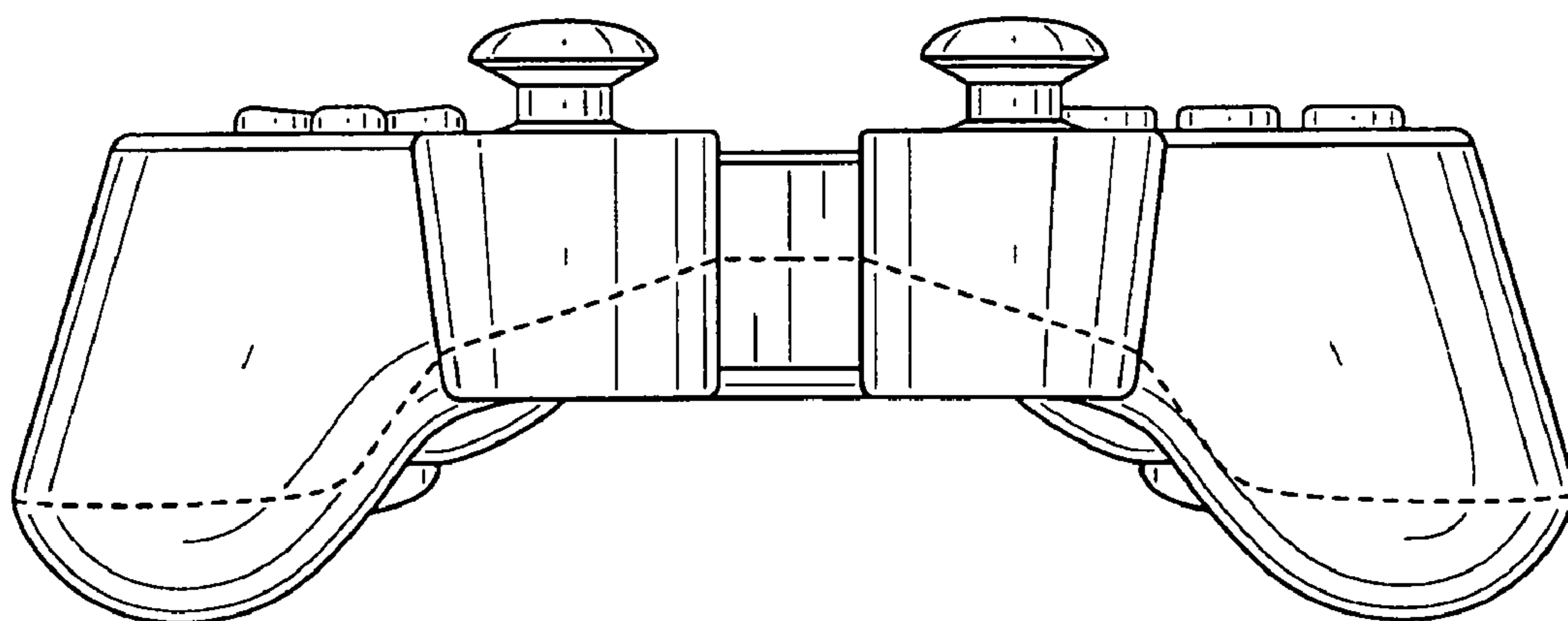


FIG. 6