



US00D571804S

(12) **United States Design Patent**  
**Morelock et al.**

(10) **Patent No.:** **US D571,804 S**  
(45) **Date of Patent:** **\*\* Jun. 24, 2008**

(54) **PORTION OF A HOUSING FOR AN ELECTRONIC DEVICE**

(75) Inventors: **David M. Morelock**, Kenmore, WA (US); **Fernd van Engelen**, Bothell, WA (US); **Tim Hulford**, Seattle, WA (US); **Rob Hubler**, Woodenville, WA (US); **Oliver Grabes**, Hann (DE)

(73) Assignee: **Microsoft Corporation**, Redmond, WA (US)

(\*\*) Term: **14 Years**

(21) Appl. No.: **29/295,922**

(22) Filed: **Oct. 10, 2007**

**Related U.S. Application Data**

(63) Continuation of application No. 29/280,528, filed on May 30, 2007.

(51) **LOC (8) Cl.** ..... **14-02**

(52) **U.S. Cl.** ..... **D14/371**

(58) **Field of Classification Search** ..... D14/300-308, D14/311, 312, 463; D18/36-39; D16/221; 355/18, 78, 82, 83, 113, 114, 68; 356/432, 356/445; 358/475, 487; 705/36 R

See application file for complete search history.

(56) **References Cited**

**U.S. PATENT DOCUMENTS**

|           |      |         |              |       |          |
|-----------|------|---------|--------------|-------|----------|
| 2,492,476 | A *  | 12/1949 | Harvey       | ..... | 355/82   |
| 4,111,549 | A *  | 9/1978  | Cazel et al. | ..... | 355/68   |
| 5,245,535 | A *  | 9/1993  | Weiss et al. | ..... | 705/36 R |
| D353,368  | S *  | 12/1994 | Poulos       | ..... | D14/305  |
| 5,786,902 | A *  | 7/1998  | Morton       | ..... | 358/475  |
| D462,678  | S *  | 9/2002  | Abboud       | ..... | D14/304  |
| 6,867,886 | B2 * | 3/2005  | Lassen       | ..... | 358/487  |

\* cited by examiner

*Primary Examiner*—Freda S Nunn

(74) *Attorney, Agent, or Firm*—Banner & Witcoff, Ltd.

(57) **CLAIM**

The ornamental design for a portion of a housing for an electronic device, as shown and described.

**DESCRIPTION**

FIG. 1 is a front perspective view of a portion of a housing for an electronic device showing our new design with a transparent surface portion;

FIG. 2 is a front view thereof;

FIG. 3 is a rear view thereof;

FIG. 4 is a right side view thereof;

FIG. 5 is a left side view thereof;

FIG. 6 is a top view thereof;

FIG. 7 is a front perspective view of a second embodiment of a portion of a housing for an electronic device showing our new design with a semi-transparent surface portion;

FIG. 8 is a front view thereof;

FIG. 9 is a rear view thereof;

FIG. 10 is a right side view thereof;

FIG. 11 is a left side view thereof;

FIG. 12 is a top view thereof;

FIG. 13 is a front perspective view of a third embodiment of a portion of a housing for an electronic device showing our new design with an opaque surface portion;

FIG. 14 is a front view thereof;

FIG. 15 is a rear view thereof;

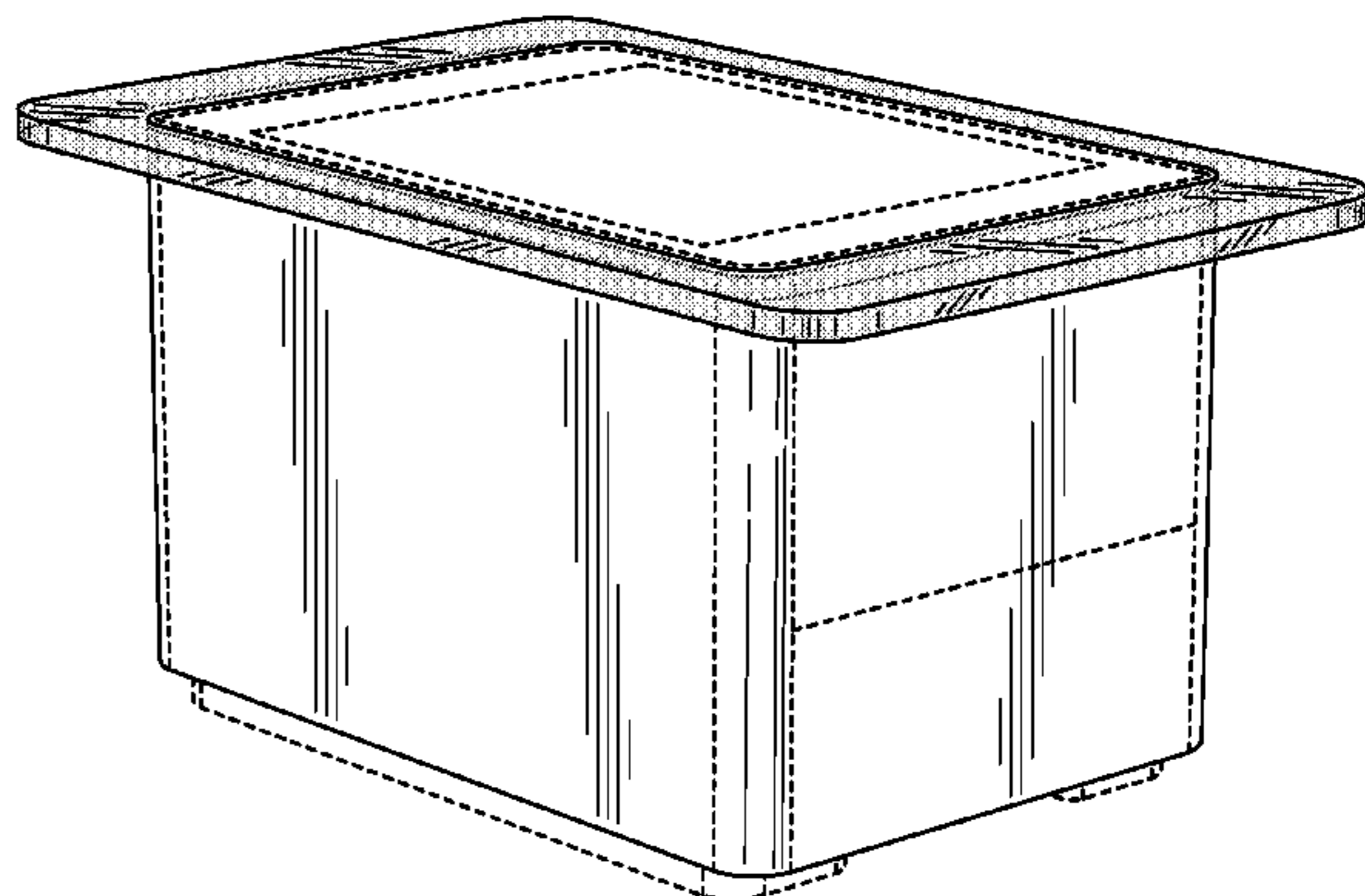
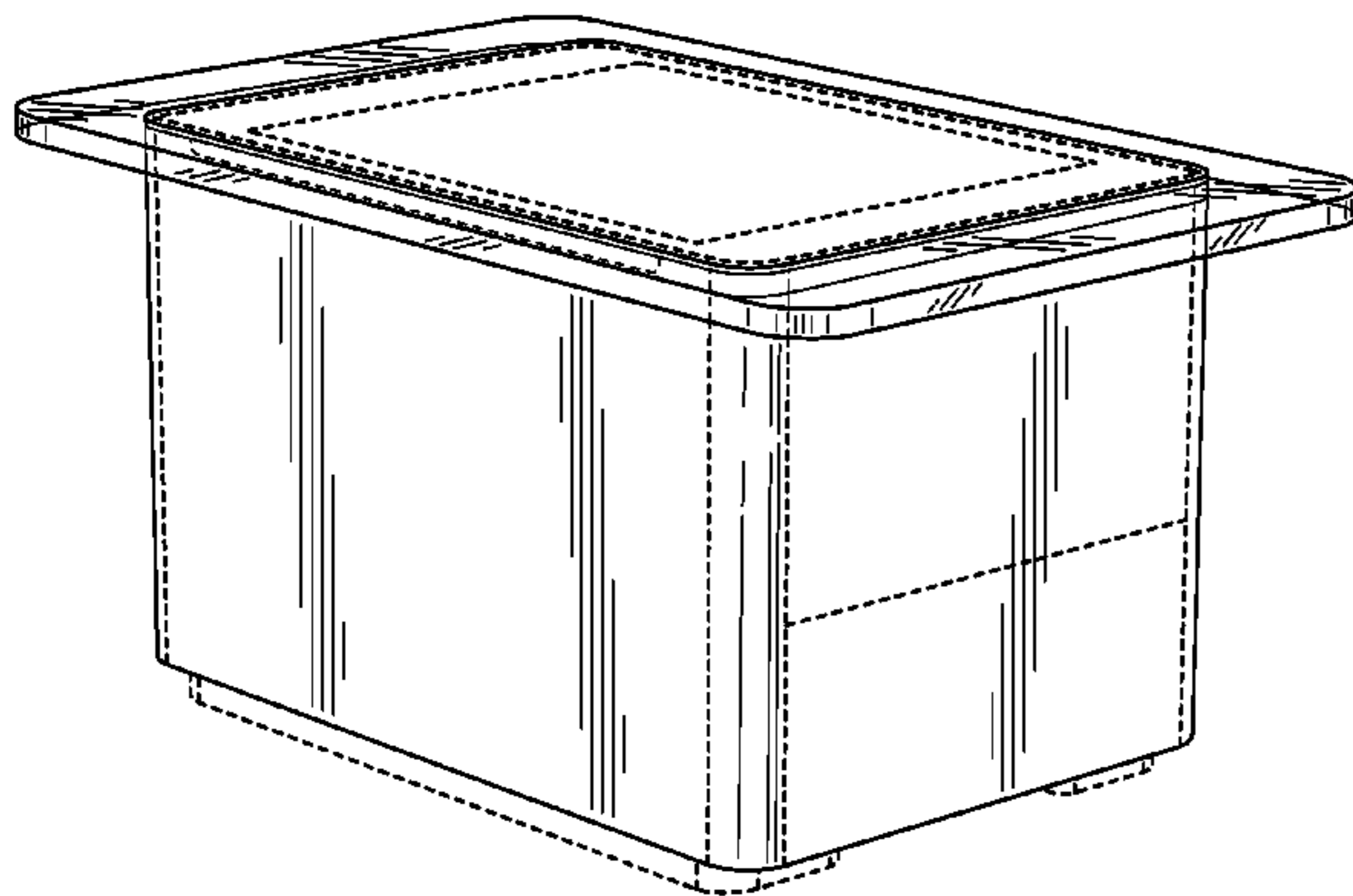
FIG. 16 is a right side view thereof;

FIG. 17 is a left side view thereof; and,

FIG. 18 is a top view thereof.

The tone shown in FIGS. 7-12 is representative of a semi-transparent appearance. The broken line showing of contour lines and various regions and the unshaded areas there within form no part of the claimed design.

**1 Claim, 12 Drawing Sheets**



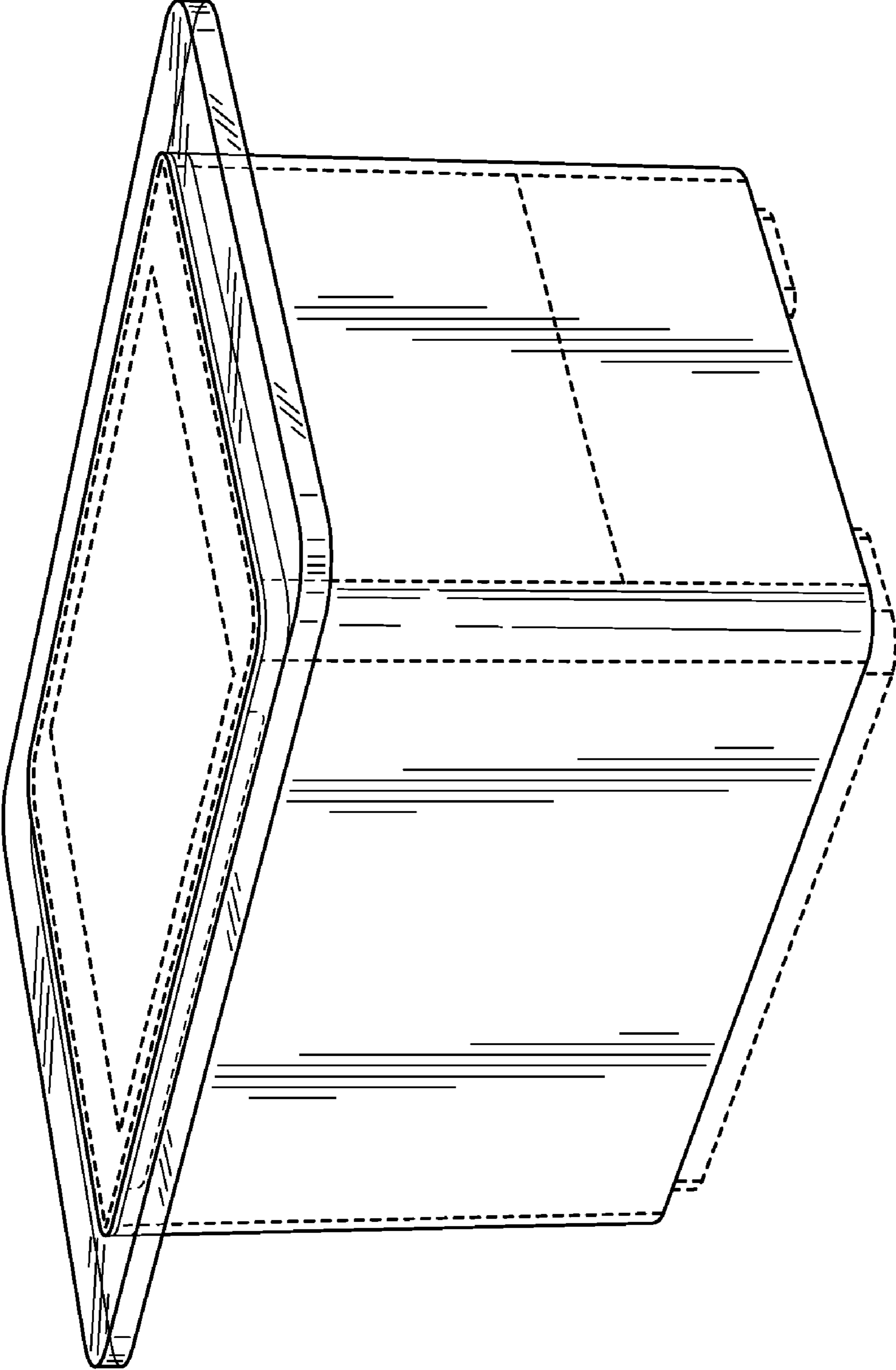


FIG. 1

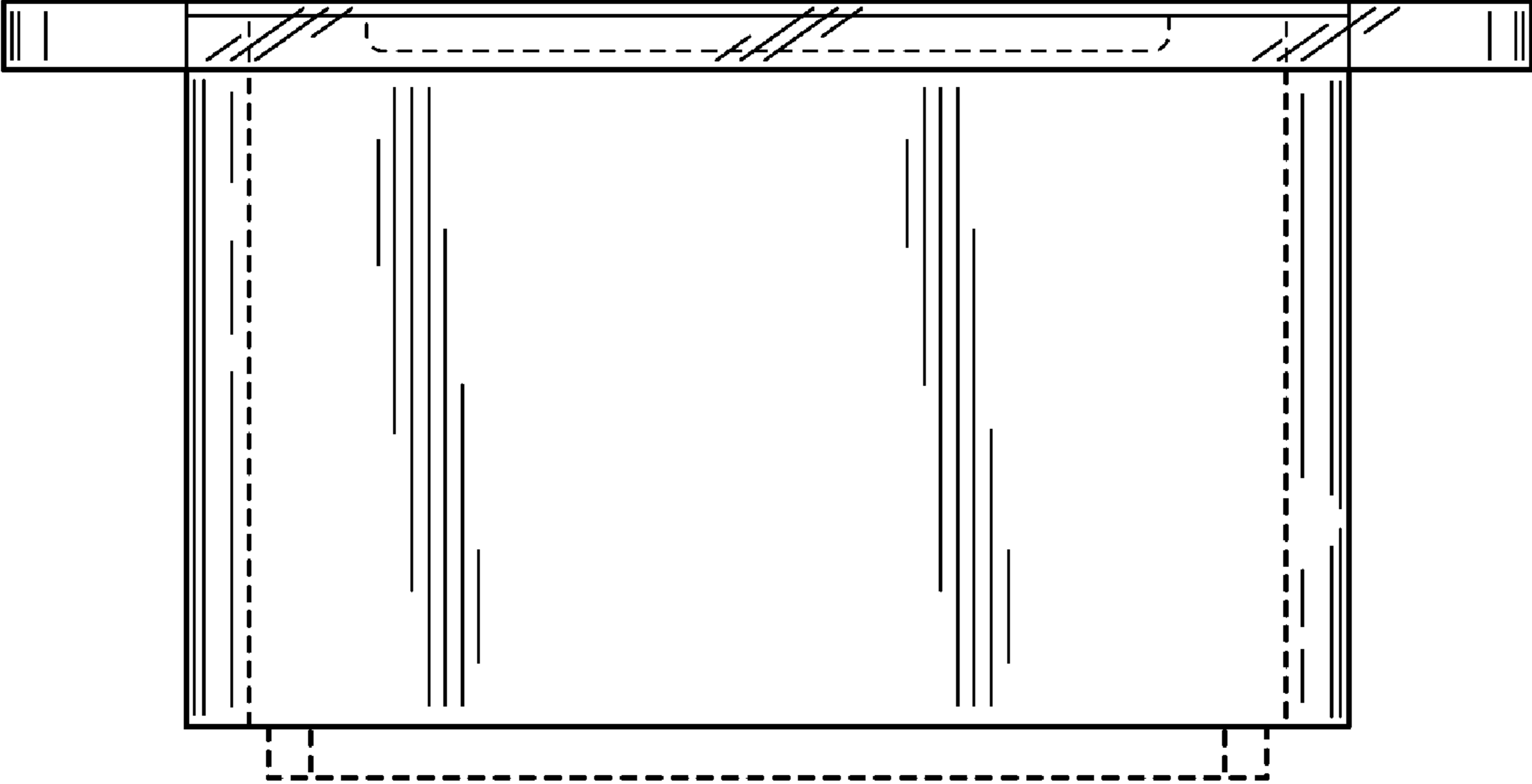


FIG. 2

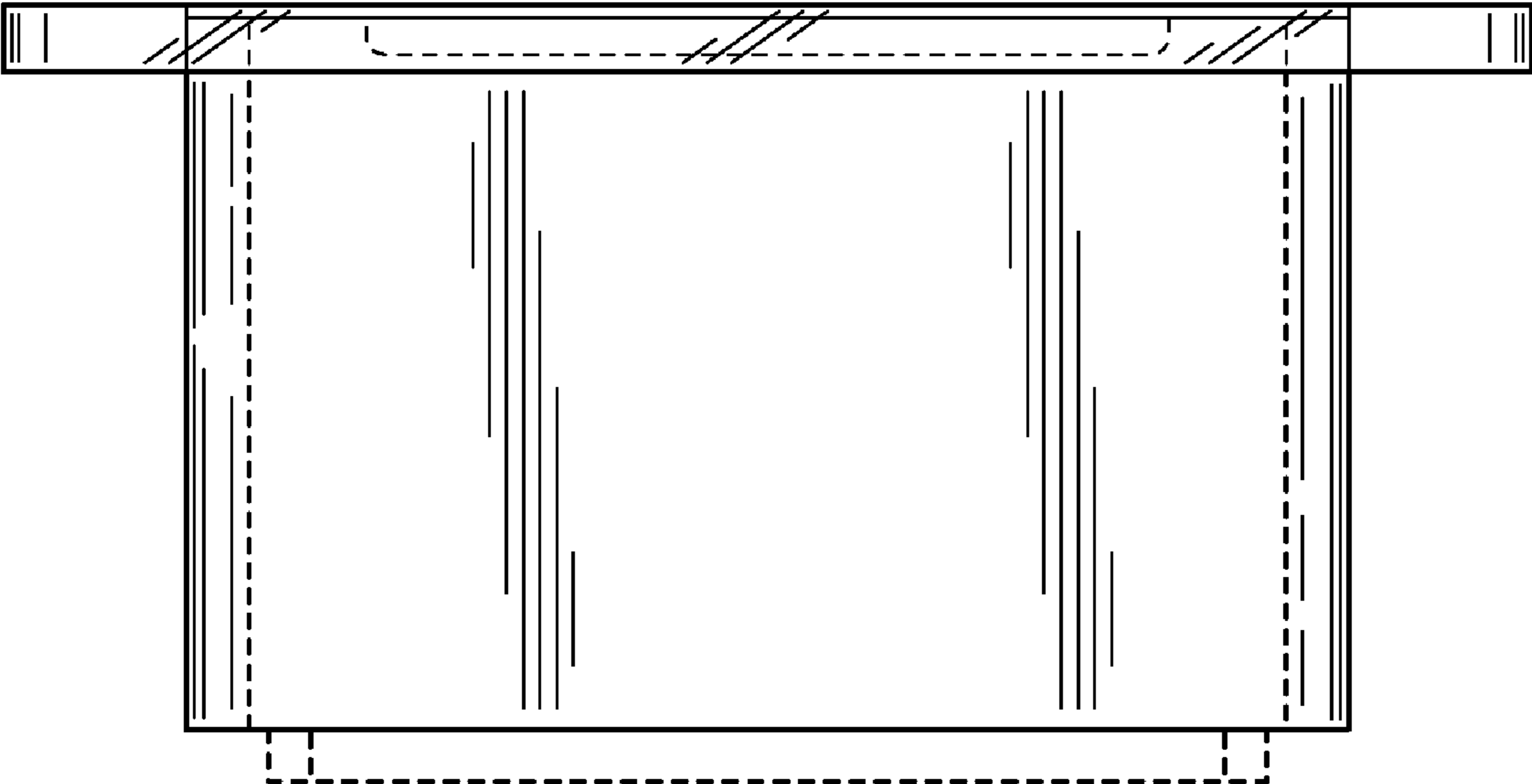


FIG. 3

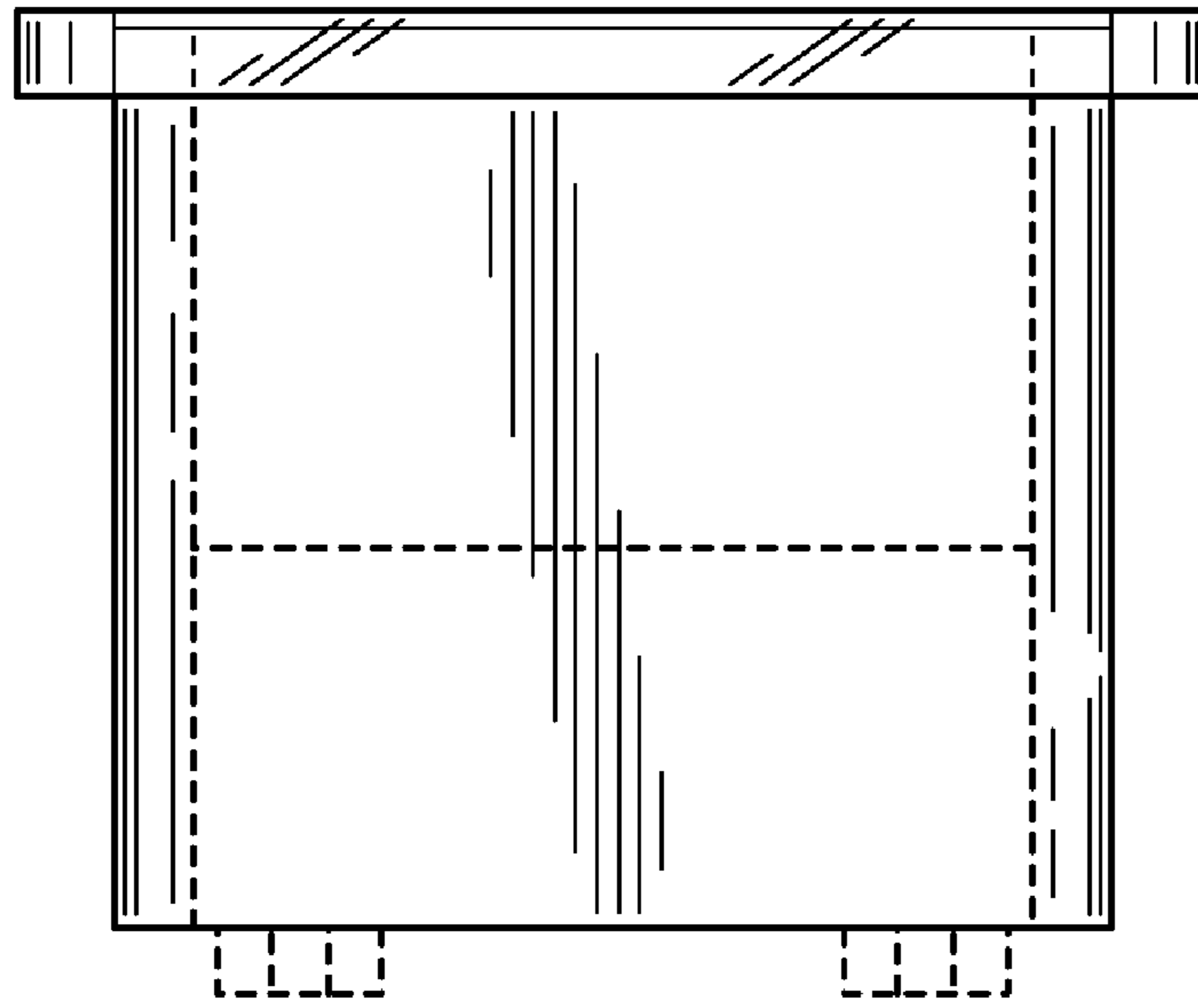


FIG. 4

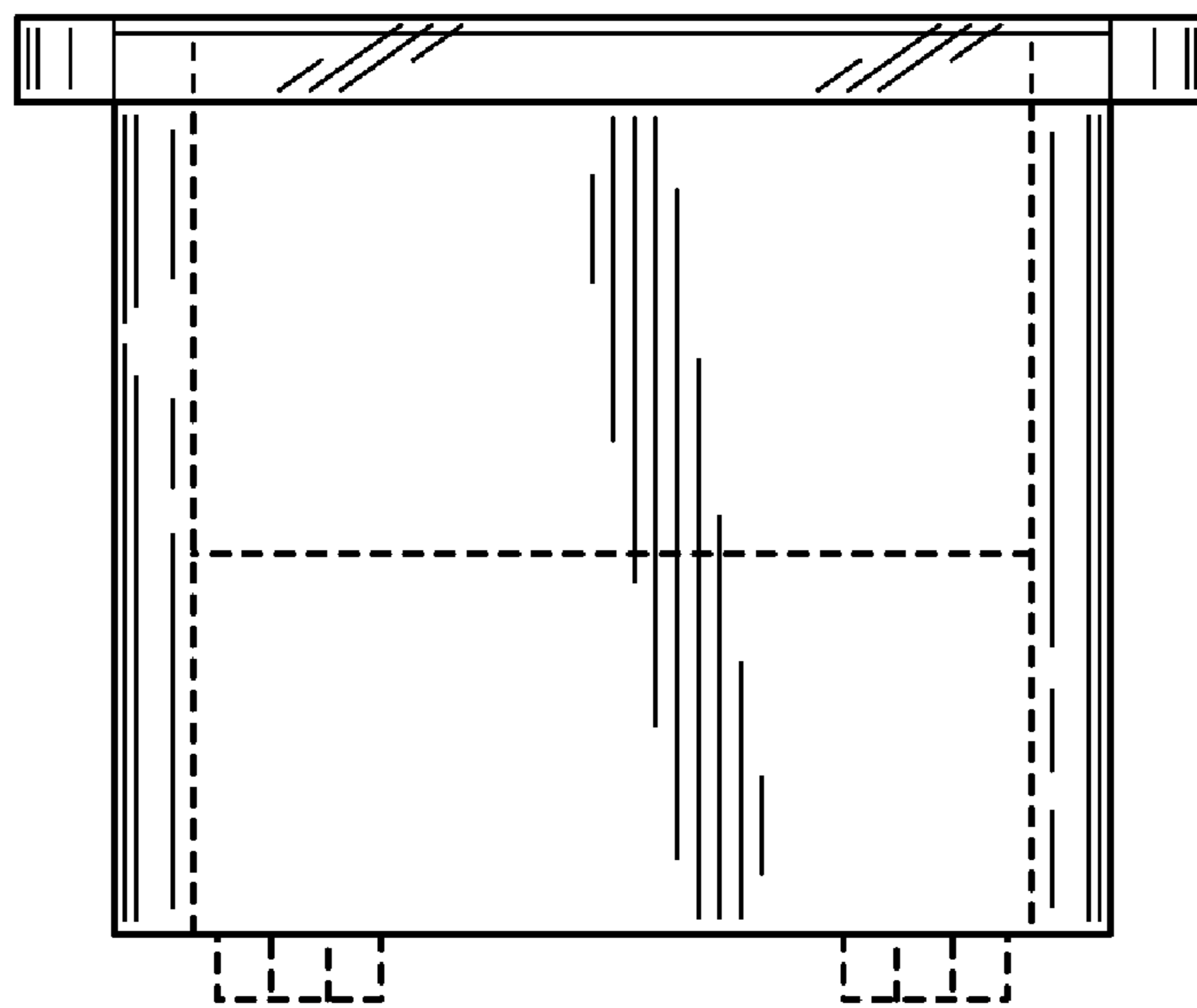


FIG. 5

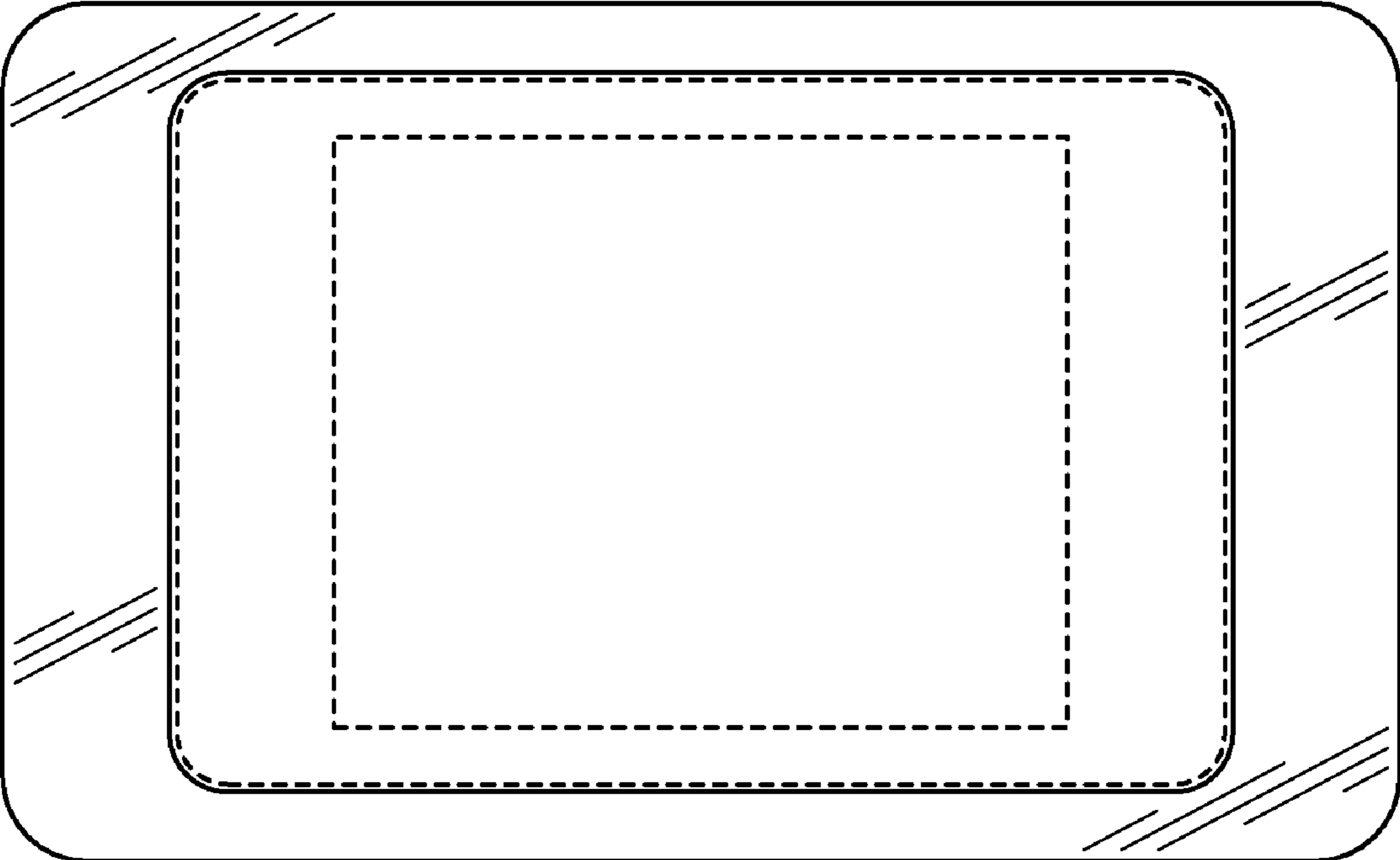


FIG. 6

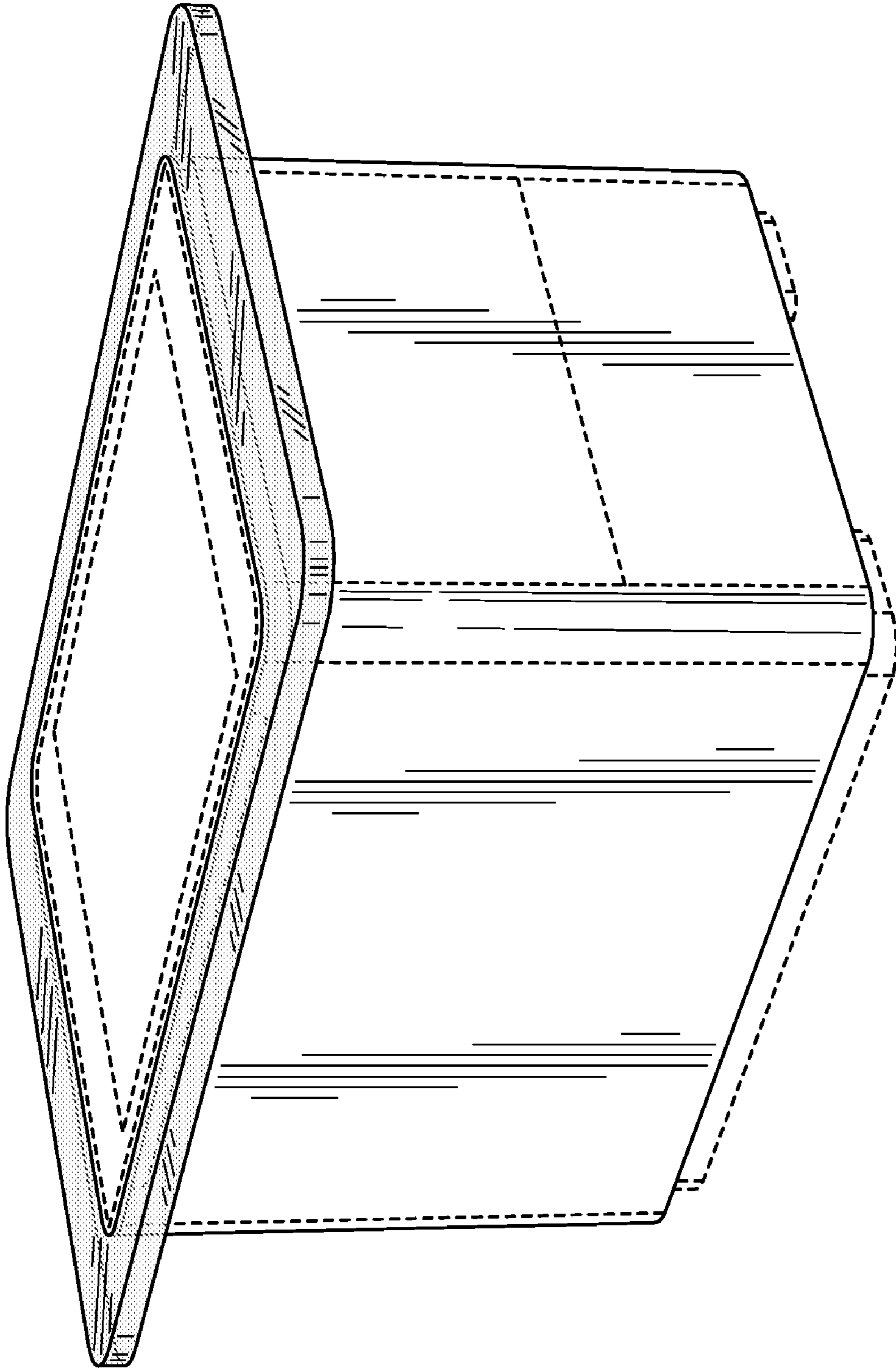


FIG. 7

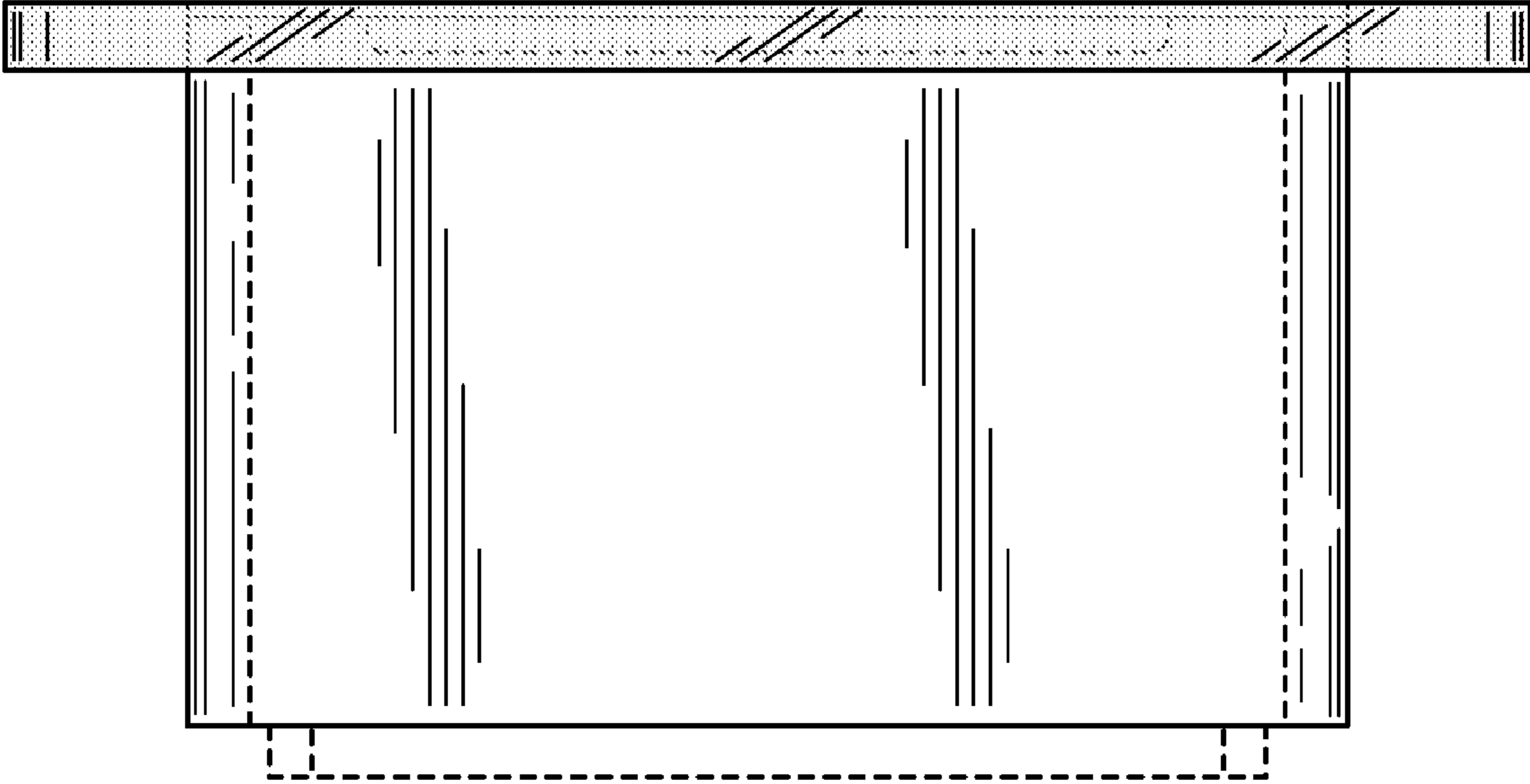


FIG. 8

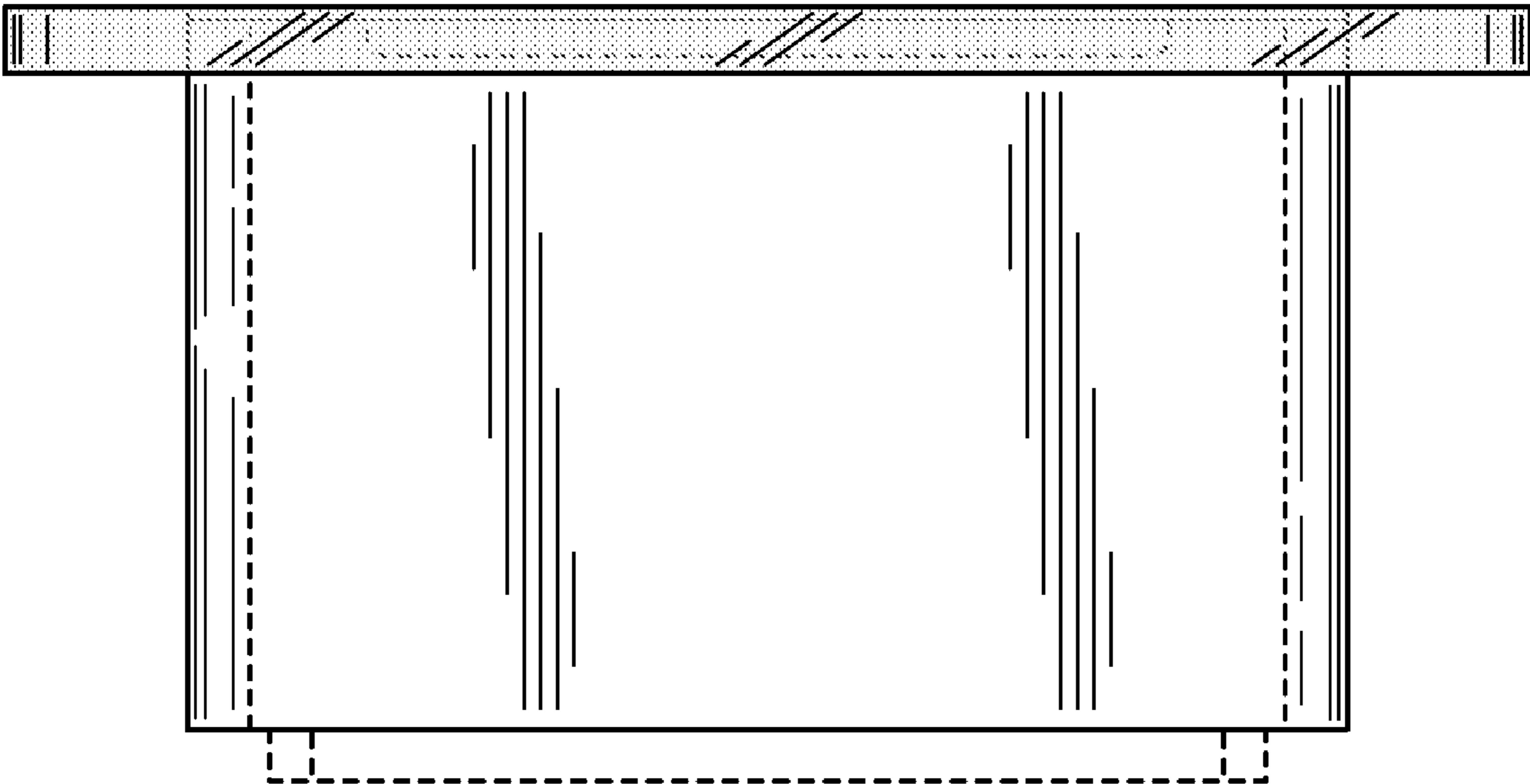


FIG. 9

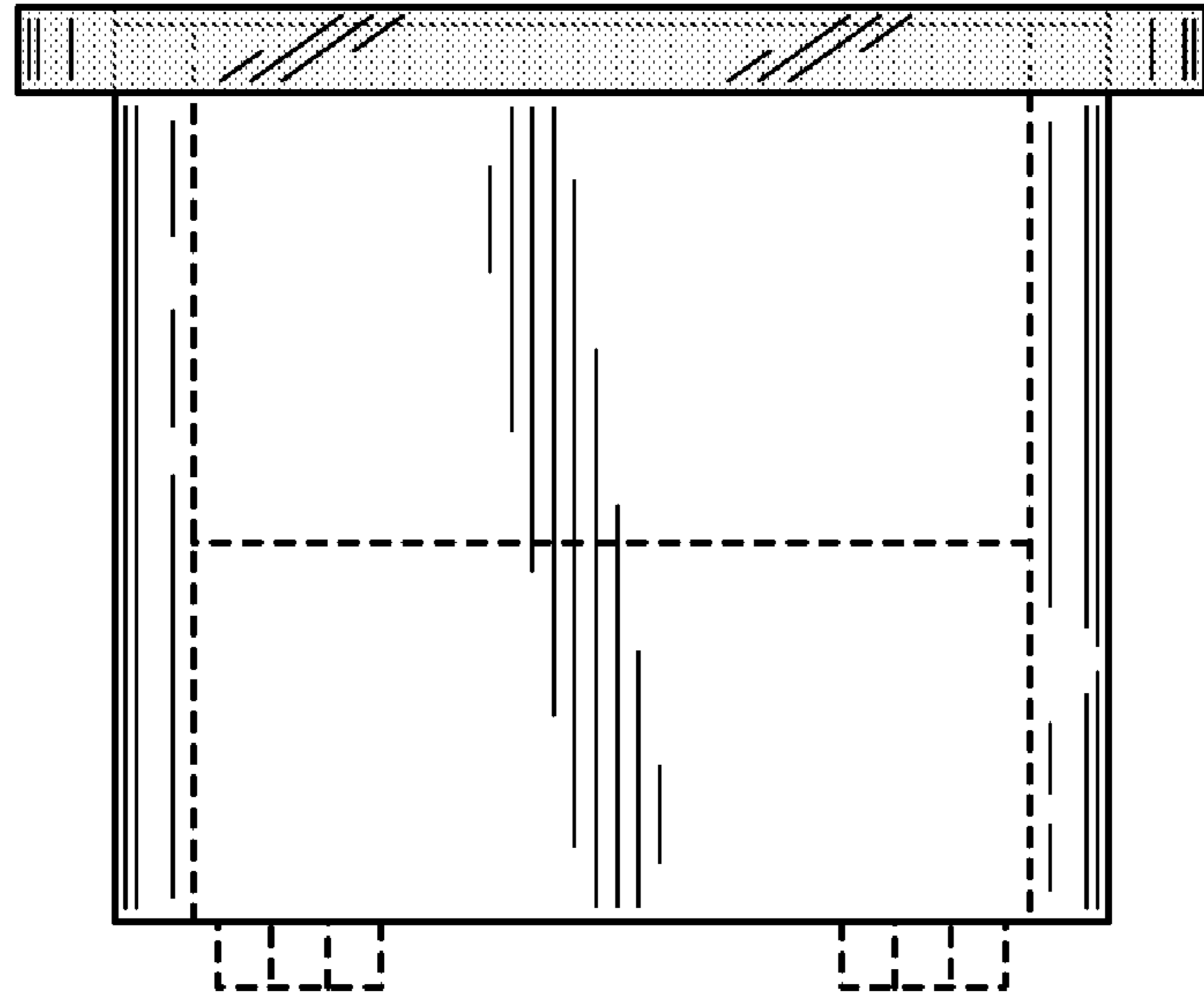


FIG. 10

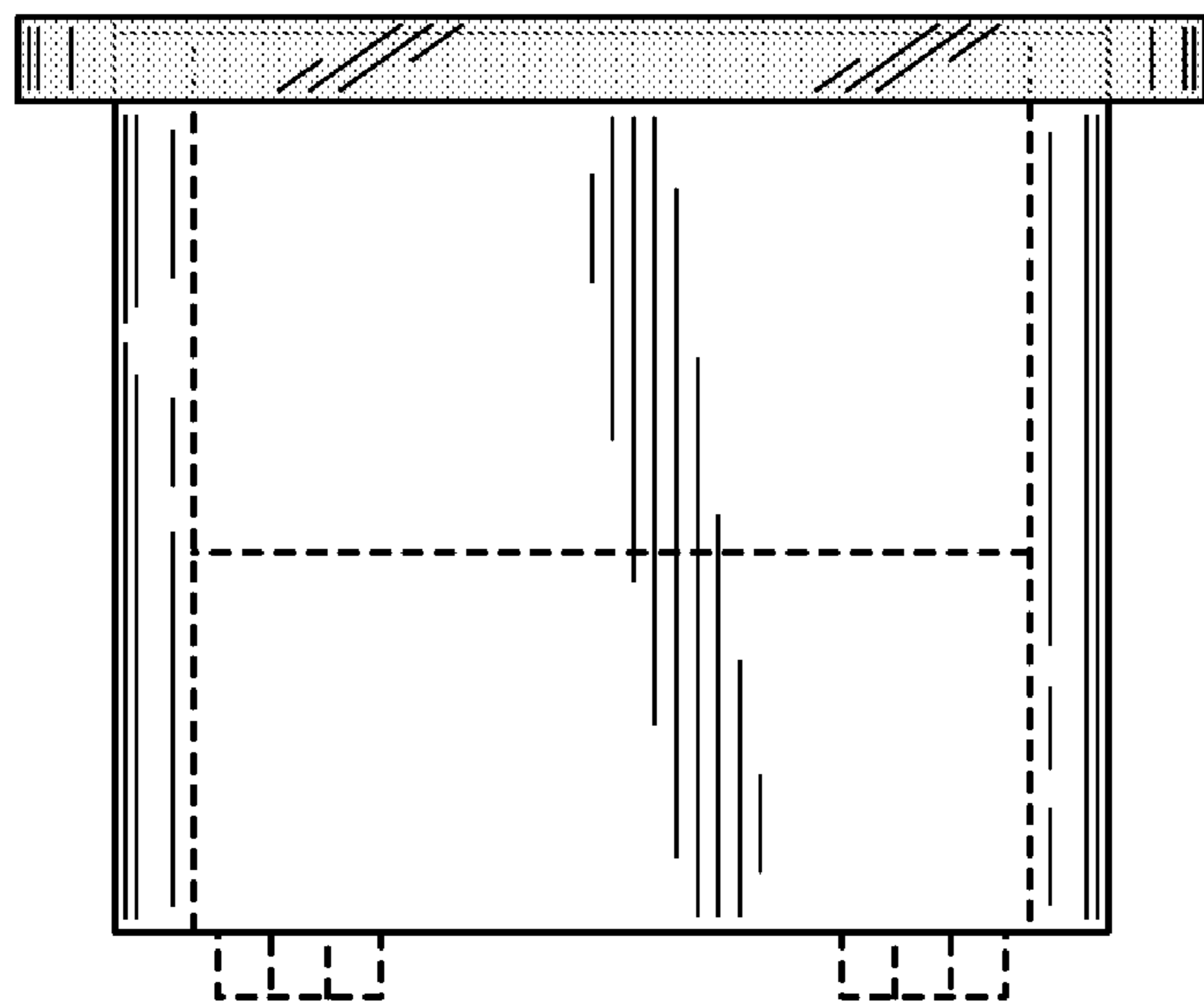


FIG. 11



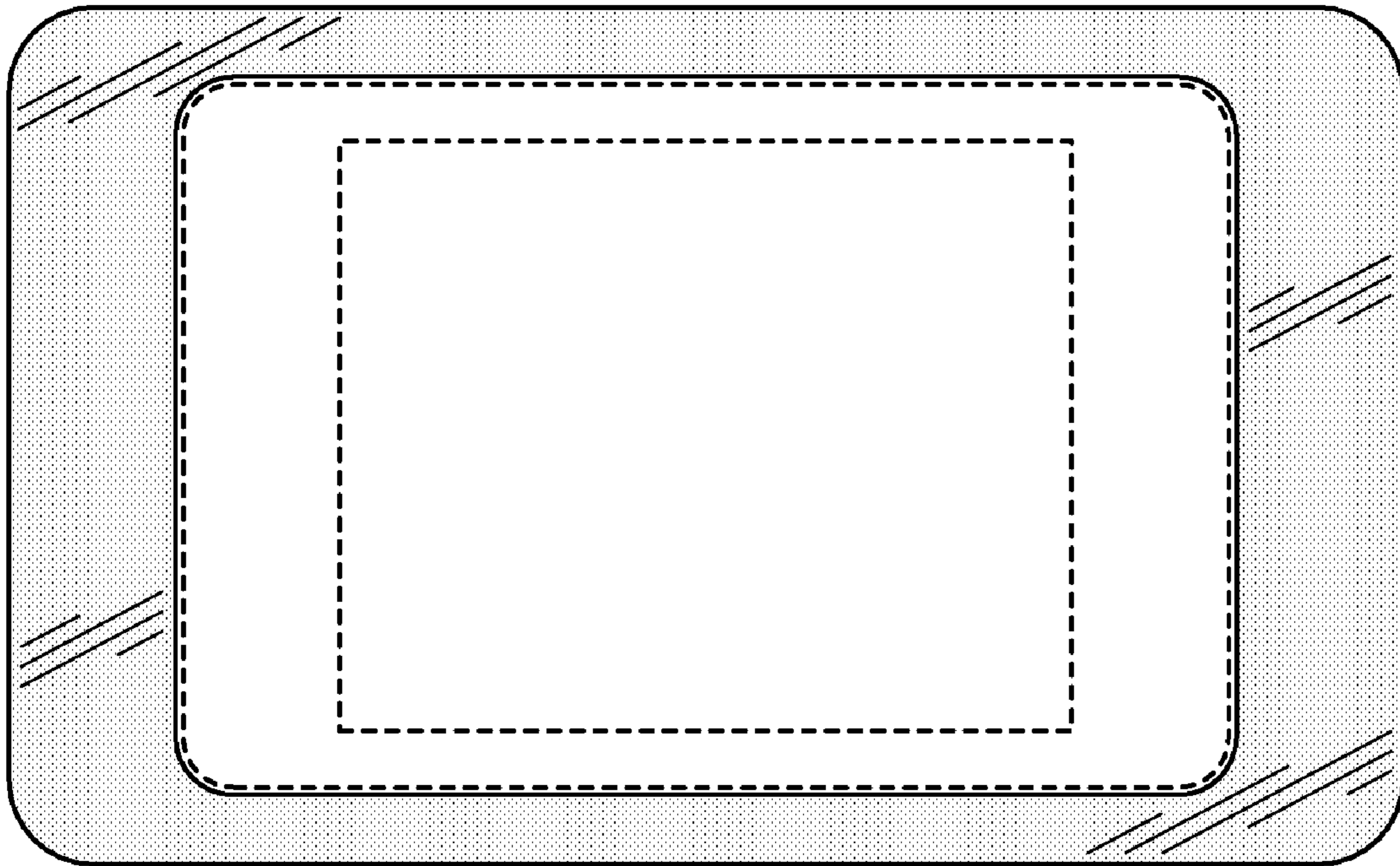


FIG. 12

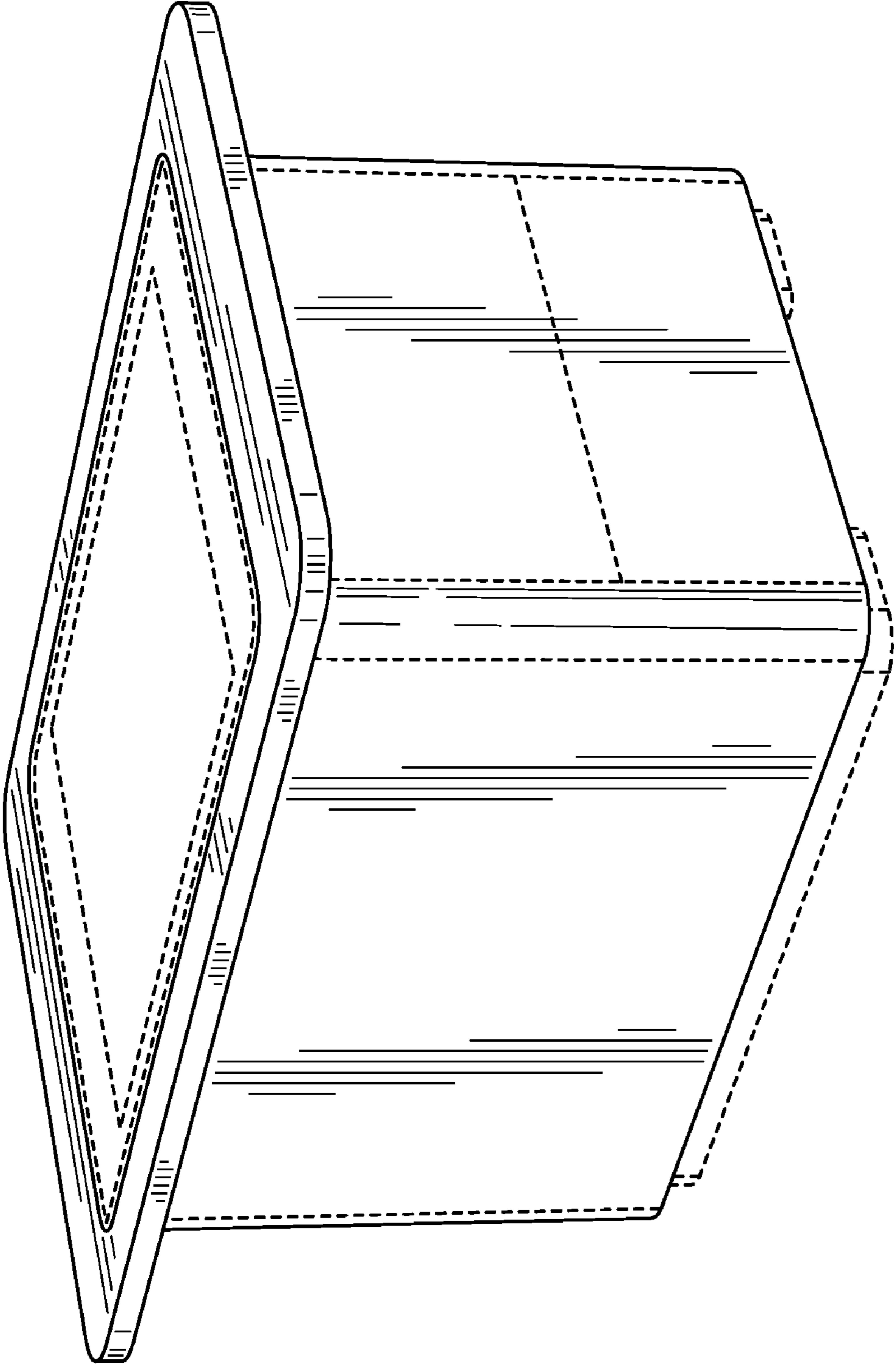


FIG. 13

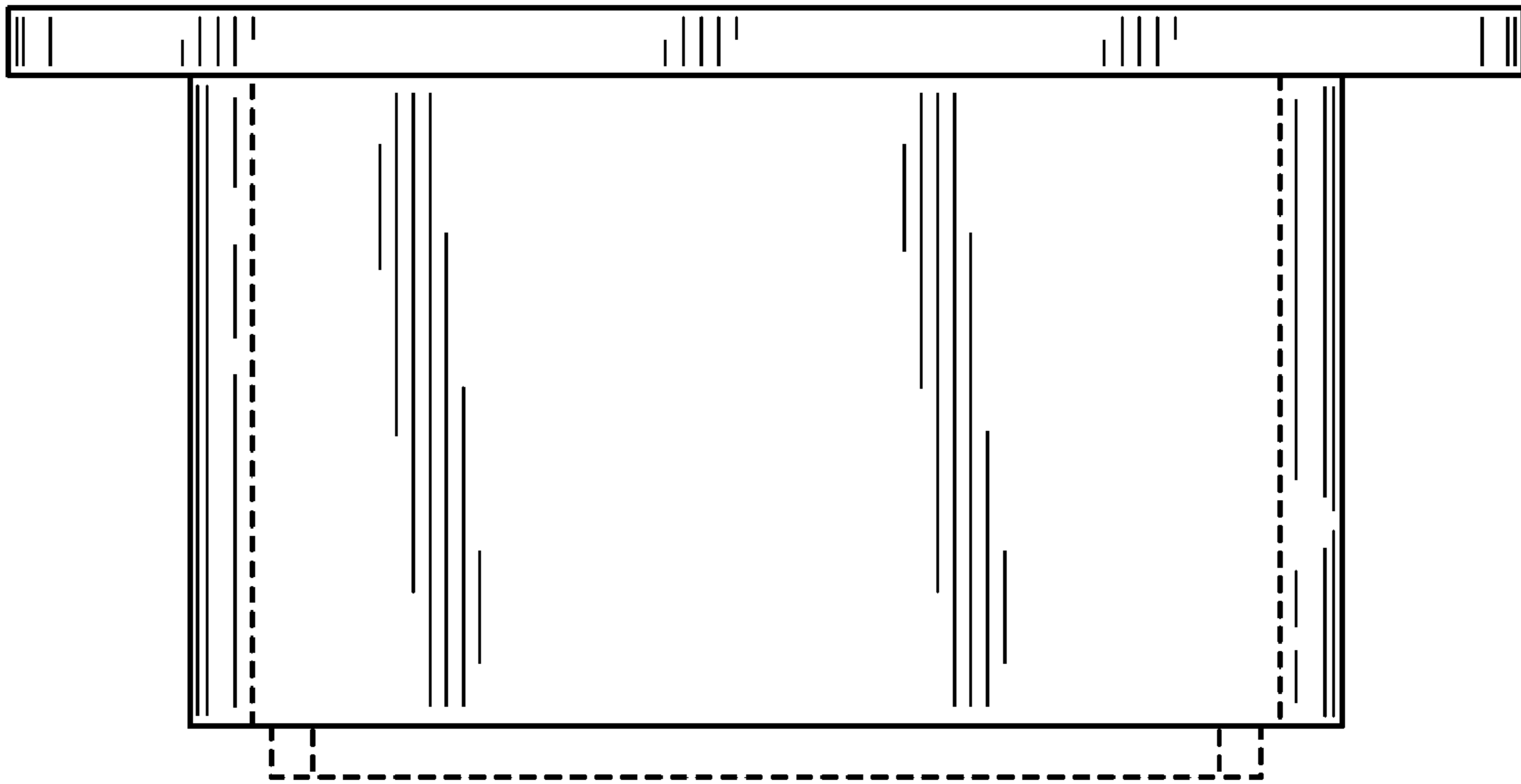


FIG. 14

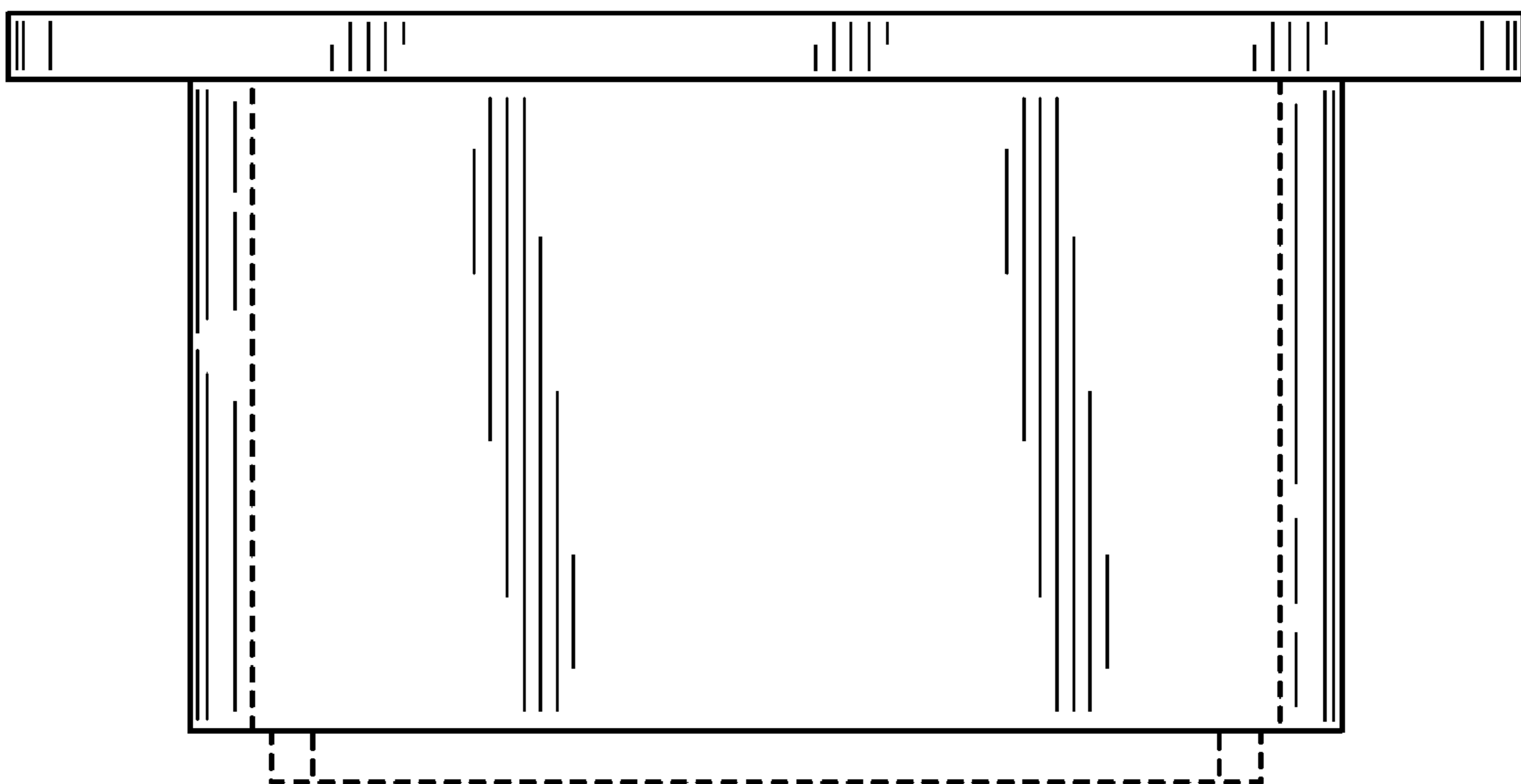


FIG. 15

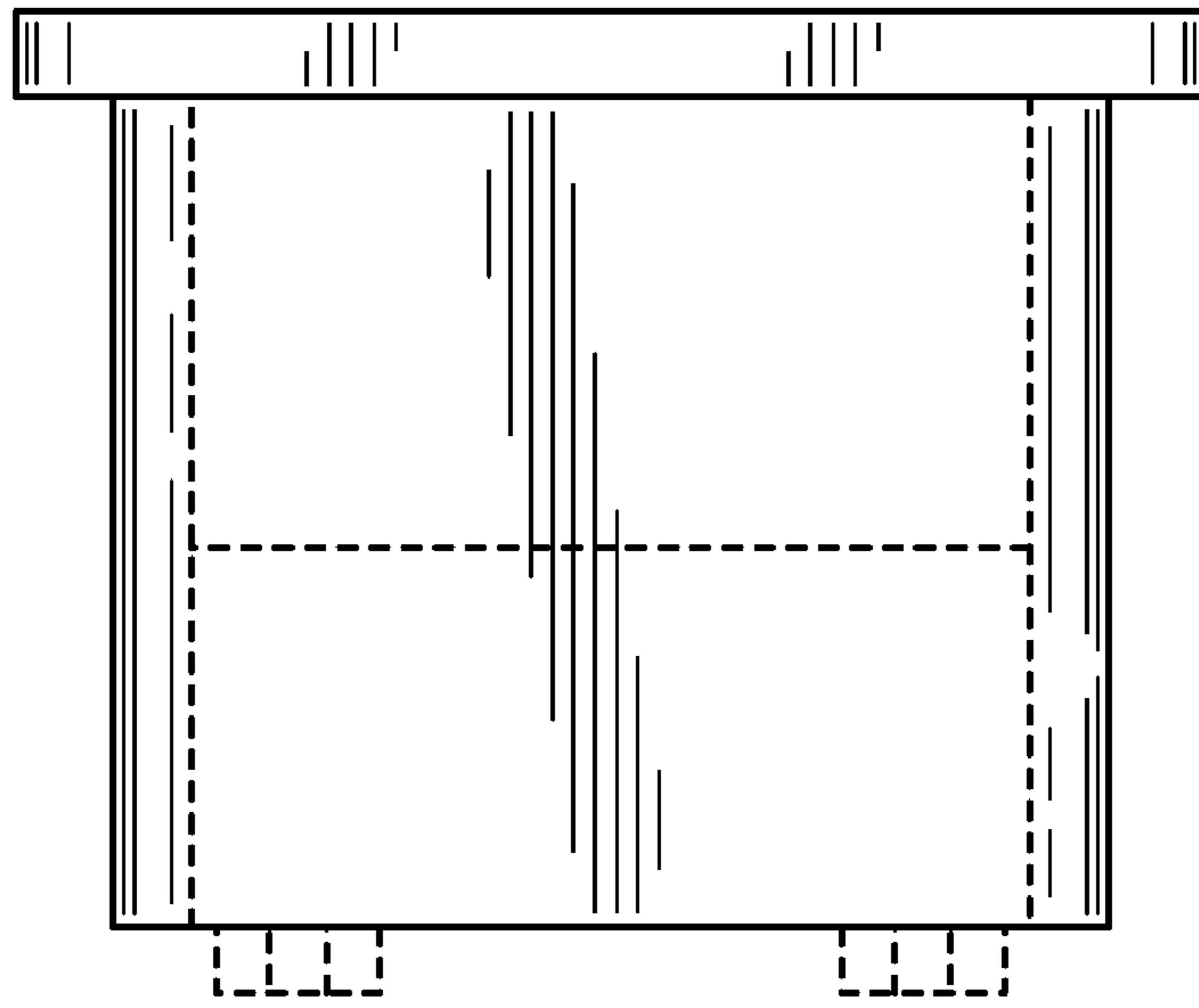


FIG. 16

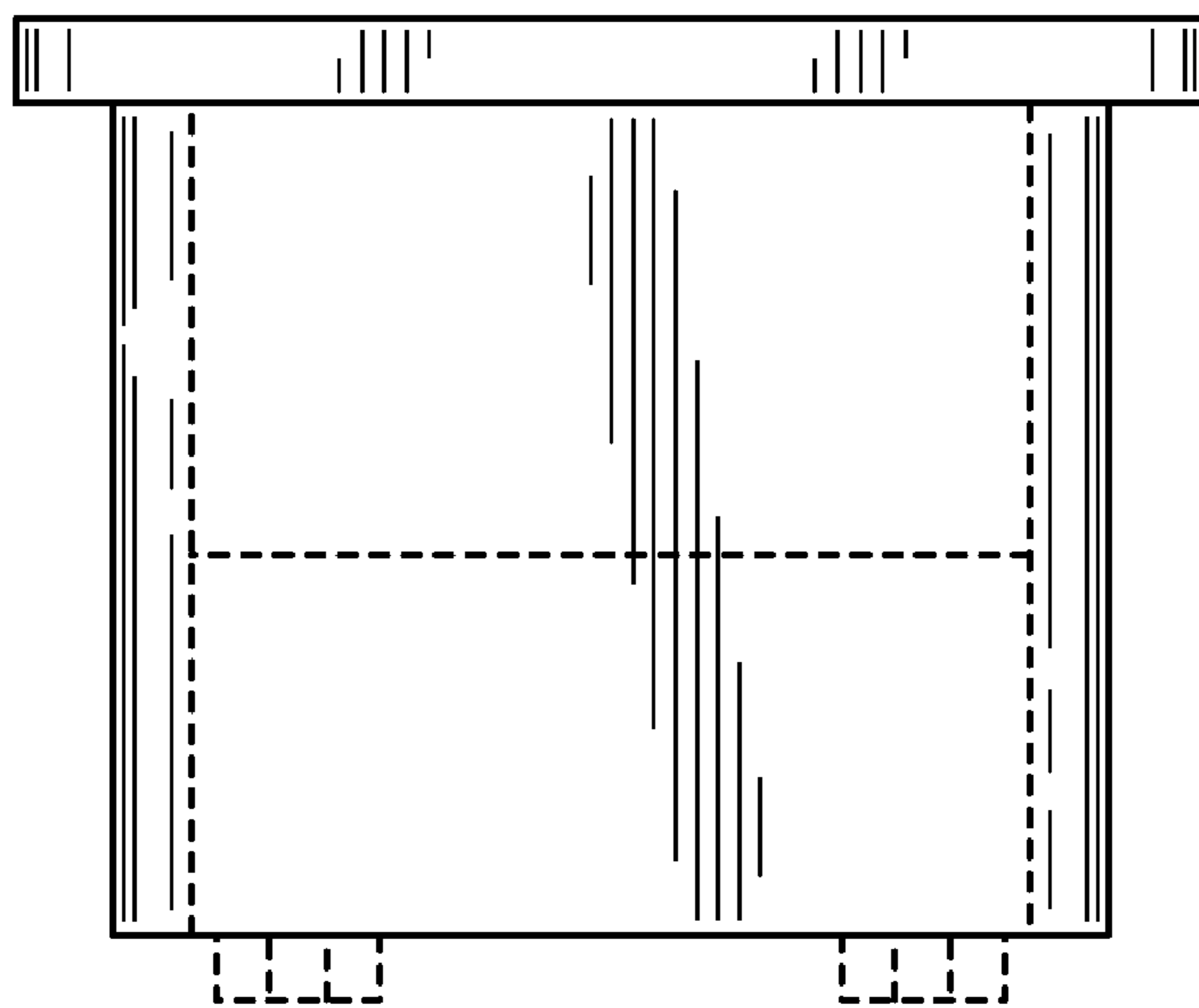


FIG. 17

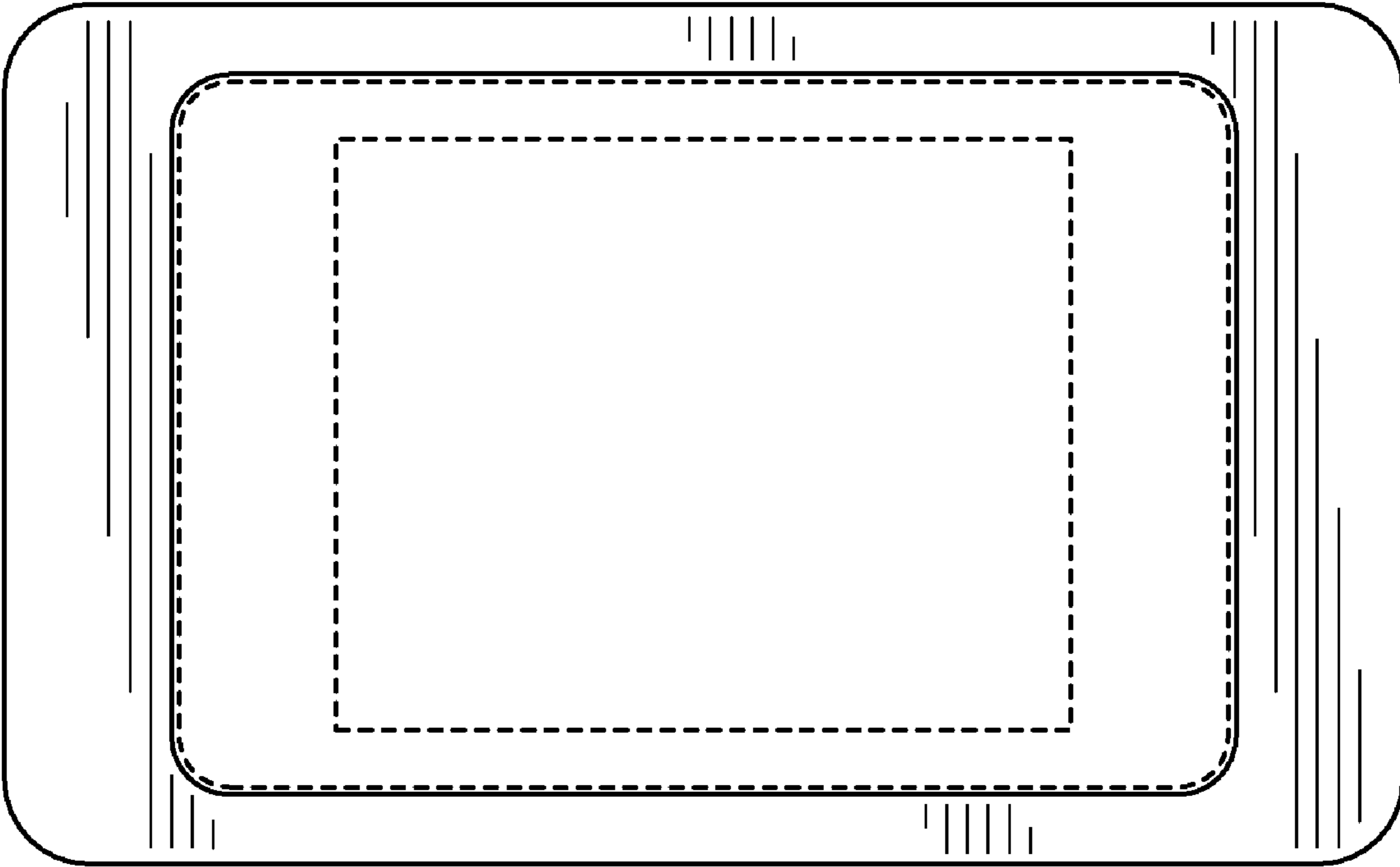


FIG. 18