



US00D571802S

(12) **United States Design Patent**
Morelock et al.

(10) **Patent No.:** **US D571,802 S**
(45) **Date of Patent:** **** Jun. 24, 2008**

(54) **PORTION OF A HOUSING FOR AN ELECTRONIC DEVICE**

(75) Inventors: **David M. Morelock**, Kenmore, WA (US); **Fernd van Engelen**, Bothell, WA (US); **Tim Hulford**, Seattle, WA (US); **Rob Hubler**, Woodenville, WA (US); **Oliver Grabes**, Hann (DE)

(73) Assignee: **Microsoft Corporation**, Redmond, WA (US)

(**) Term: **14 Years**

(21) Appl. No.: **29/295,916**

(22) Filed: **Oct. 10, 2007**

Related U.S. Application Data

(63) Continuation of application No. 29/280,528, filed on May 30, 2007.

(51) **LOC (8) Cl.** **14-02**

(52) **U.S. Cl.** **D14/371**

(58) **Field of Classification Search** D14/300-308, D14/311, 312, 463; D18/36-39; D16/221; 355/18, 78, 82, 83, 113, 114, 68; 356/432, 356/445; 358/475, 487; 705/36 R
See application file for complete search history.

(56) **References Cited**

U.S. PATENT DOCUMENTS

2,492,476	A *	12/1949	Harvey	355/82
4,111,549	A *	9/1978	Cazel et al.	355/68
5,245,535	A *	9/1993	Weiss et al.	705/36 R
D353,368	S *	12/1994	Poulos	D14/305
5,786,902	A *	7/1998	Morton	358/475
D462,678	S *	9/2002	Abboud	D14/304
6,867,886	B2 *	3/2005	Lassen	358/487

* cited by examiner

Primary Examiner—Freda S Nunn

(74) *Attorney, Agent, or Firm*—Banner & Witcoff, Ltd.

(57) **CLAIM**

The ornamental design for a portion of a housing for an electronic device, as shown and described.

DESCRIPTION

FIG. 1 is a front perspective view of a portion of a housing for an electronic device showing our new design with a transparent surface portion;

FIG. 2 is a front view thereof;

FIG. 3 is a rear view thereof;

FIG. 4 is a right side view thereof;

FIG. 5 is a left side view thereof;

FIG. 6 is a top view thereof;

FIG. 7 is a front perspective view of a second embodiment of a portion of a housing for an electronic device showing our new design with a semi-transparent surface portion;

FIG. 8 is a front view thereof;

FIG. 9 is a rear view thereof;

FIG. 10 is a right side view thereof;

FIG. 11 is a left side view thereof;

FIG. 12 is a top view thereof;

FIG. 13 is a front perspective view of a third embodiment of a portion of a housing for an electronic device showing our new design with an opaque surface portion;

FIG. 14 is a front view thereof;

FIG. 15 is a rear view thereof;

FIG. 16 is a right side view thereof;

FIG. 17 is a left side view thereof;

FIG. 18 is a top view thereof;

FIG. 19 is a front perspective view of a fourth embodiment of a portion of a housing for an electronic device showing our new design with a transparent surface portion;

FIG. 20 is a front view thereof;

FIG. 21 is a rear view thereof;

FIG. 22 is a right side view thereof;

FIG. 23 is a left side view thereof;

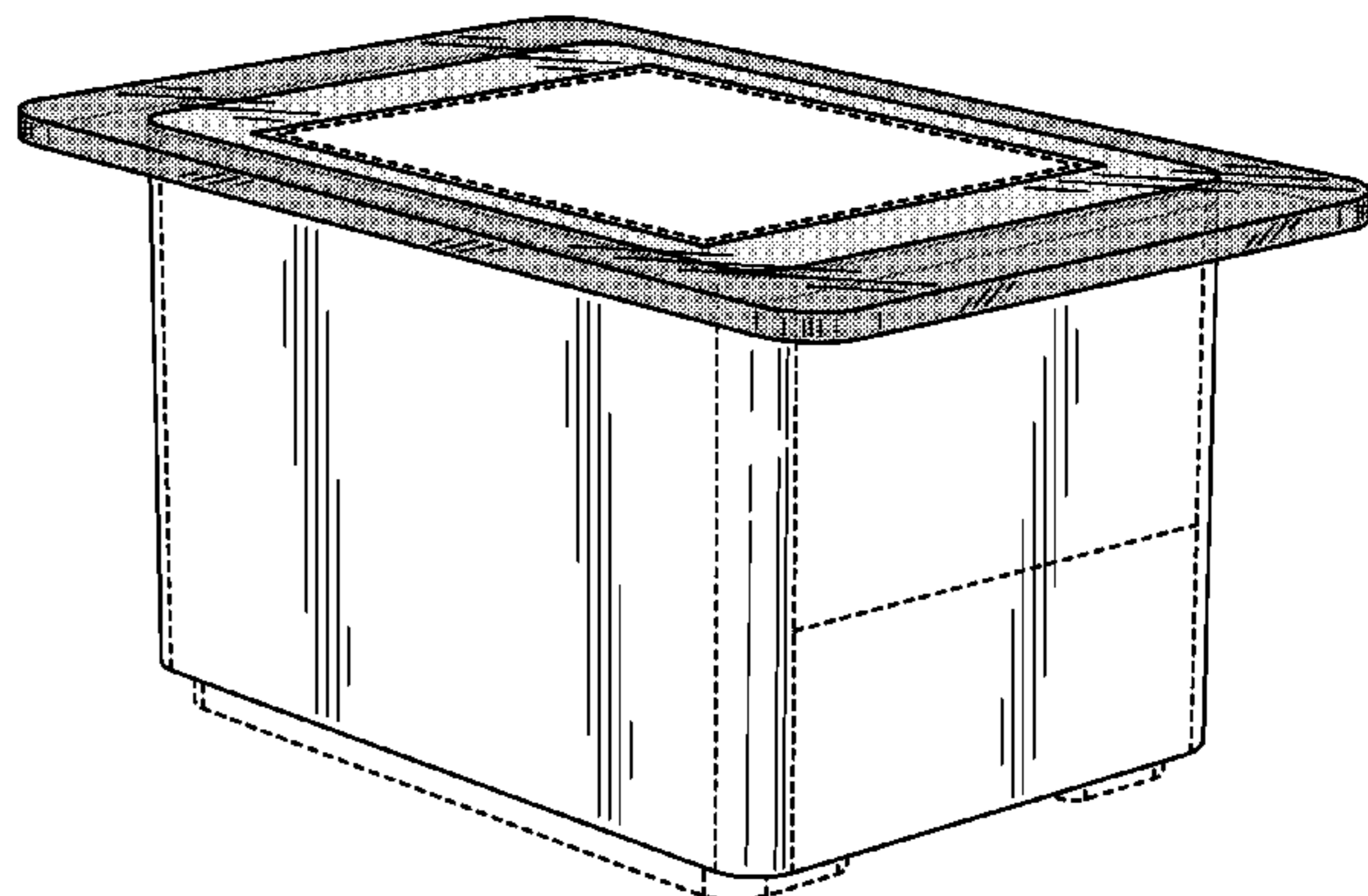
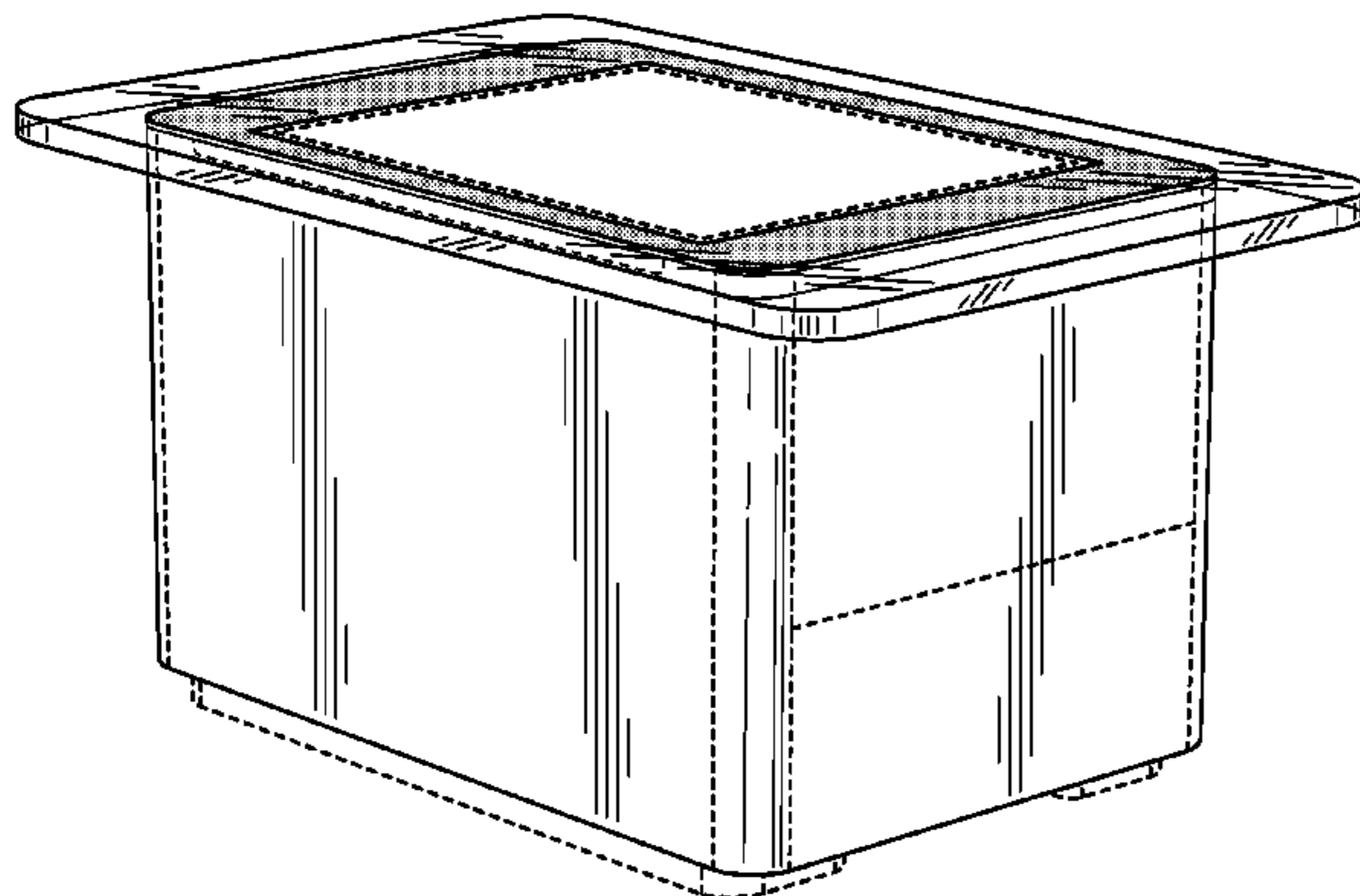


FIG. 24 is a top view thereof;

FIG. 25 is a front perspective view of a fifth embodiment of a portion of a housing for an electronic device showing our new design with a semi-transparent surface portion;

FIG. 26 is a front view thereof;

FIG. 27 is a rear view thereof;

FIG. 28 is a right side view thereof;

FIG. 29 is a left side view thereof;

FIG. 30 is a top view thereof;

FIG. 31 is a front perspective view of a sixth embodiment of a portion of a housing for an electronic device showing our new design with an opaque surface portion;

FIG. 32 is a front view thereof;

FIG. 33 is a rear view thereof;

FIG. 34 is a right side view thereof;

FIG. 35 is a left side view thereof; and,

FIG. 36 is a top view thereof.

The tone in the outermost surface area shown in FIGS. 7–12 and 25–30 is representative of a semi-transparent appearance. The broken line showing of various regions and the unshaded areas there within form no part of the claimed design.

1 Claim, 24 Drawing Sheets

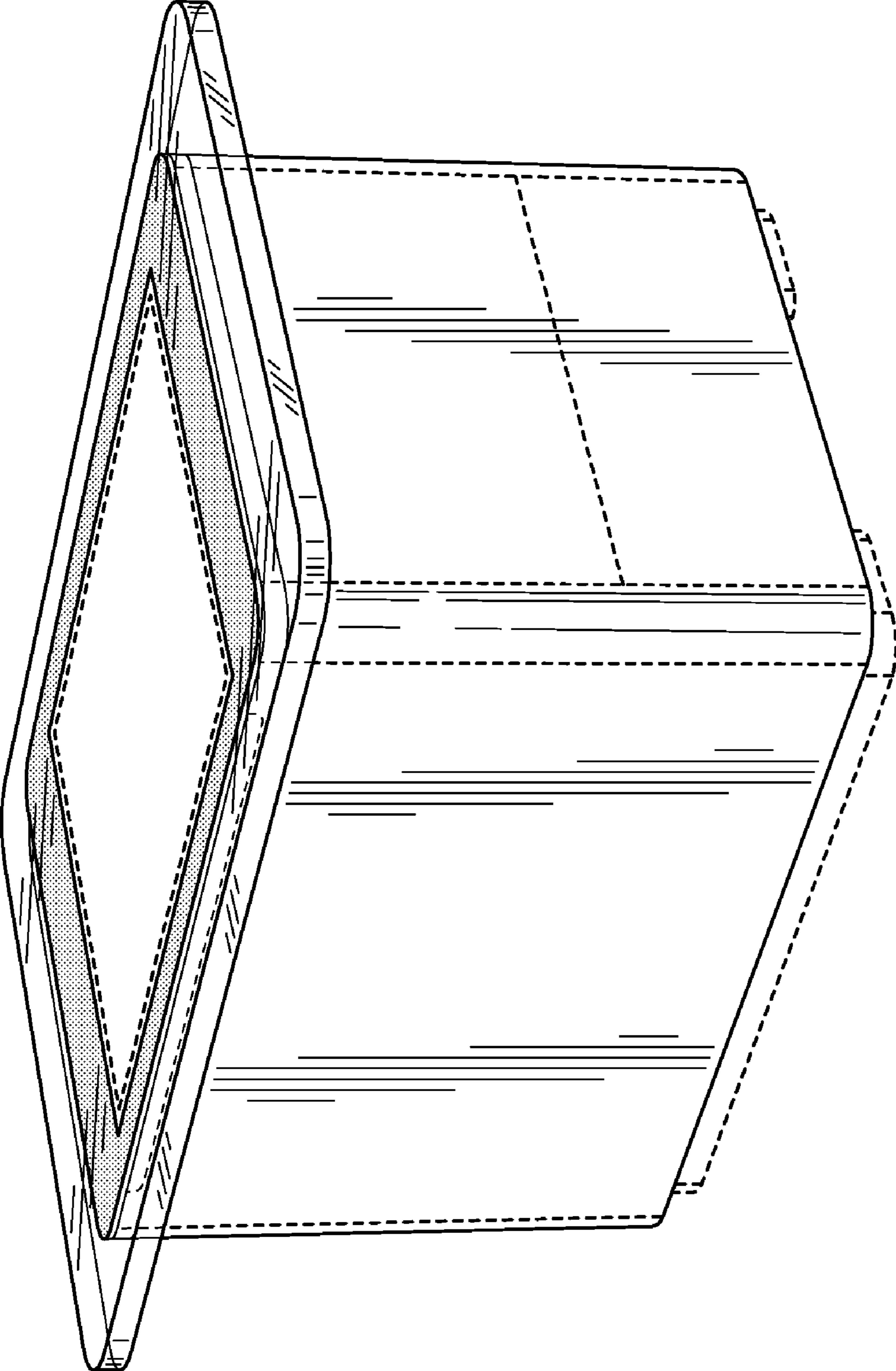


FIG. 1

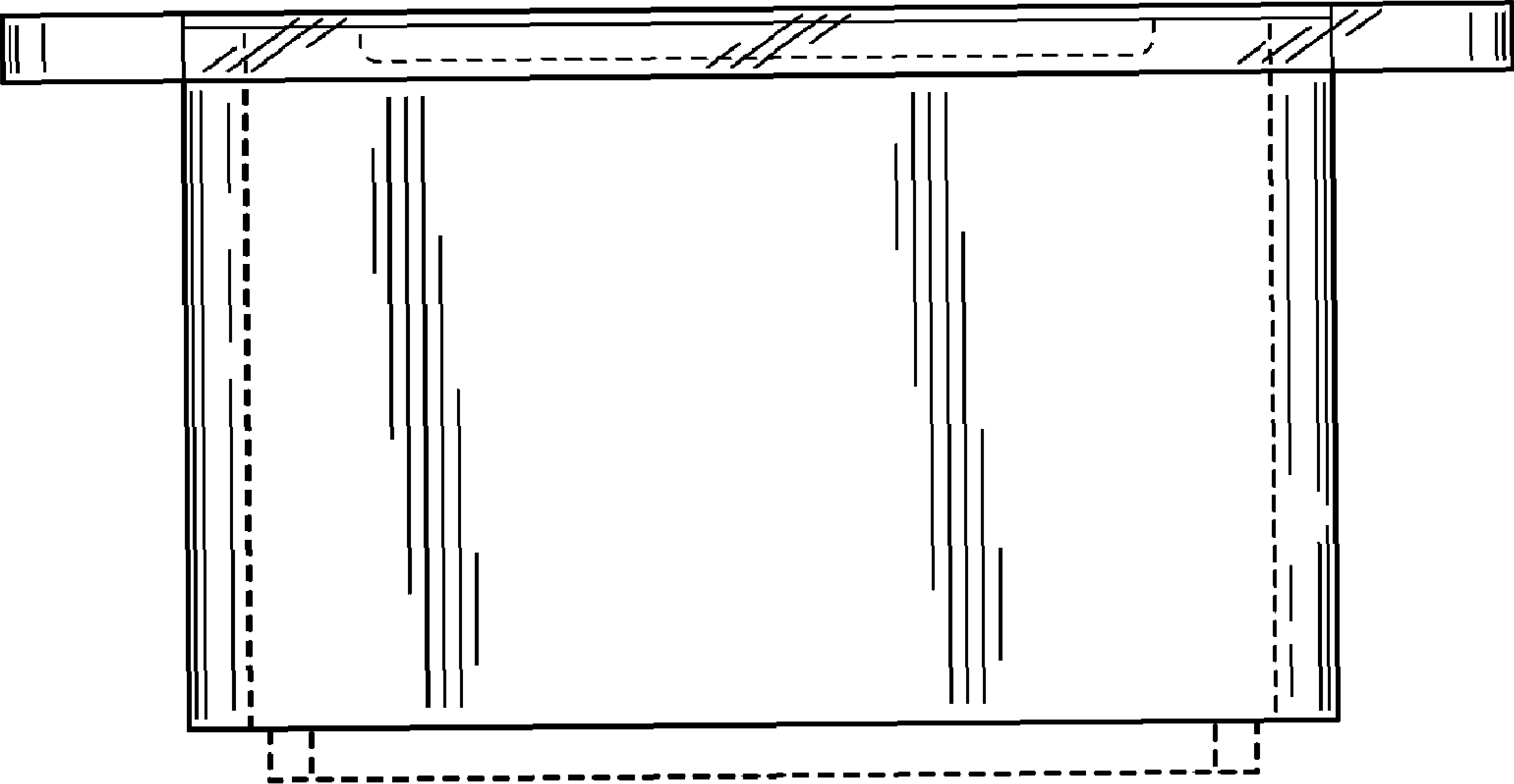


FIG. 2

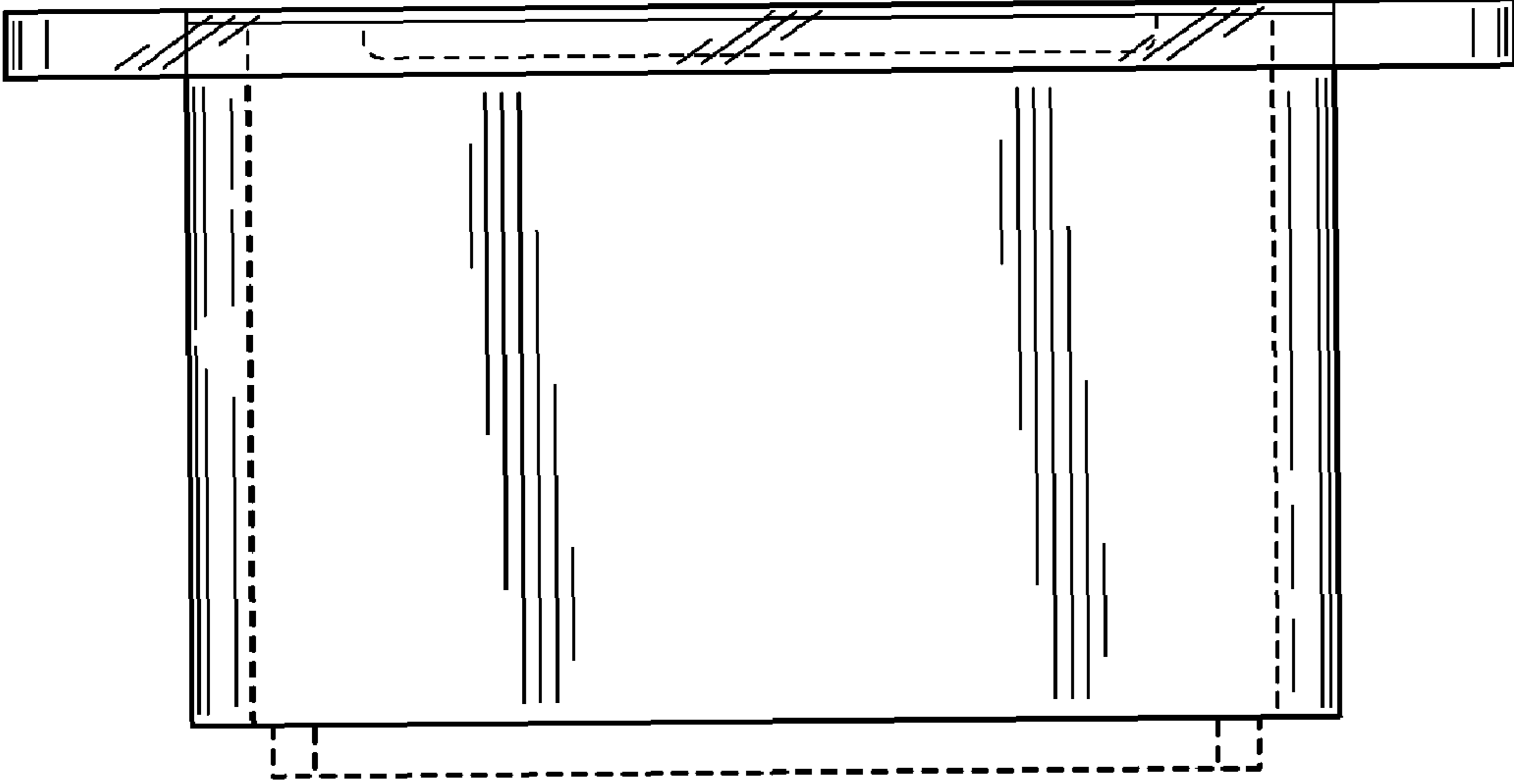


FIG. 3

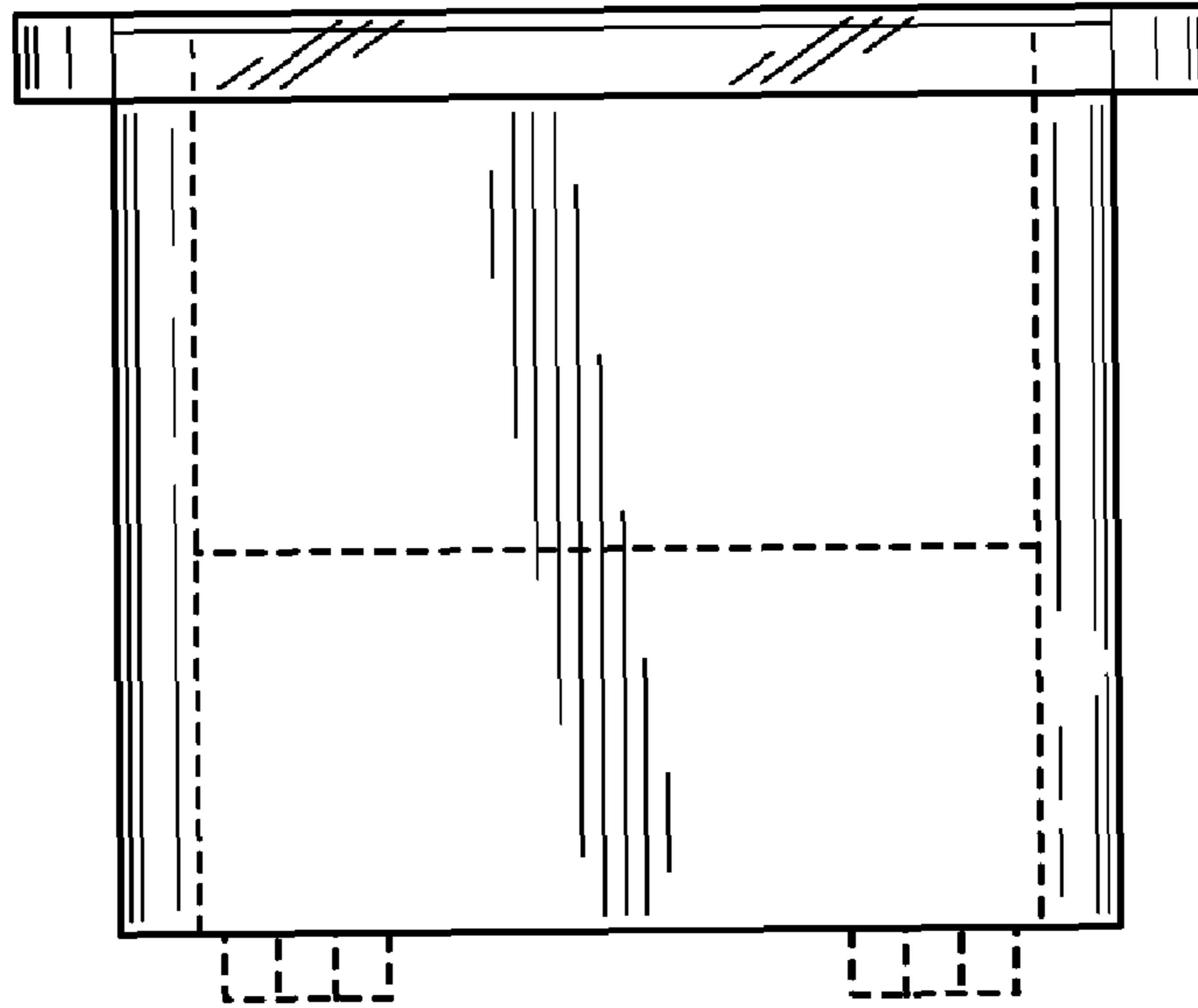


FIG. 4

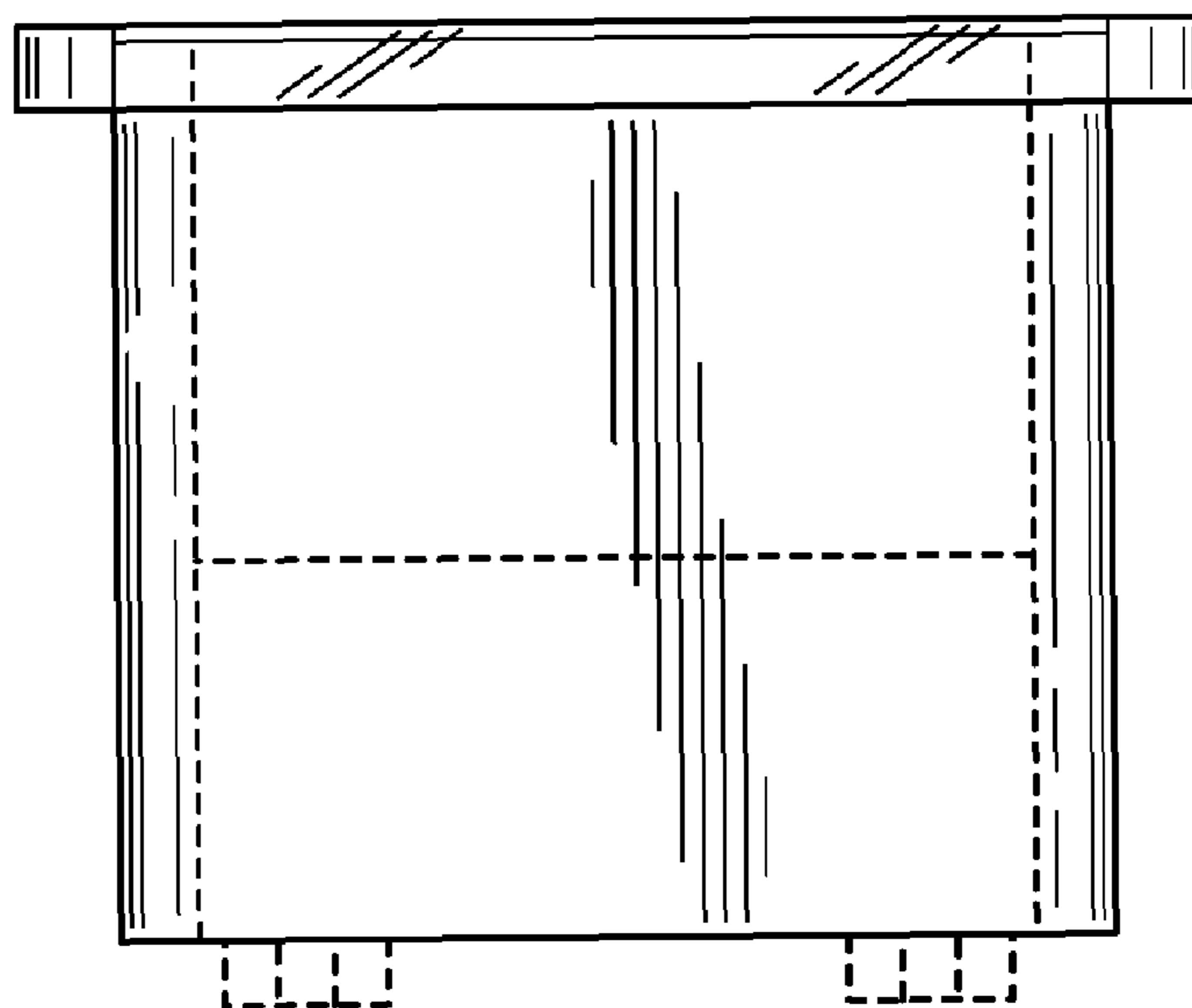


FIG. 5

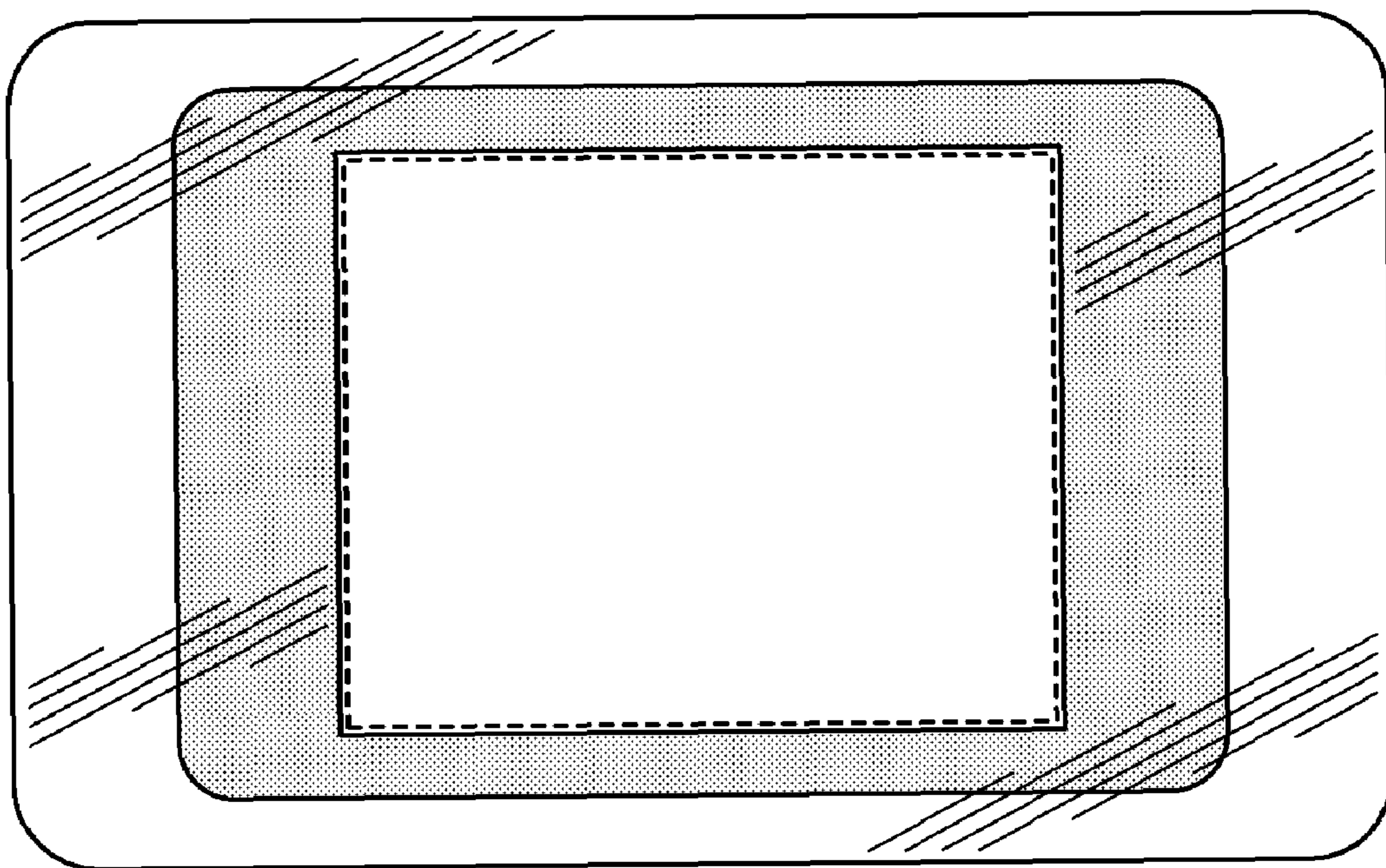


FIG. 6

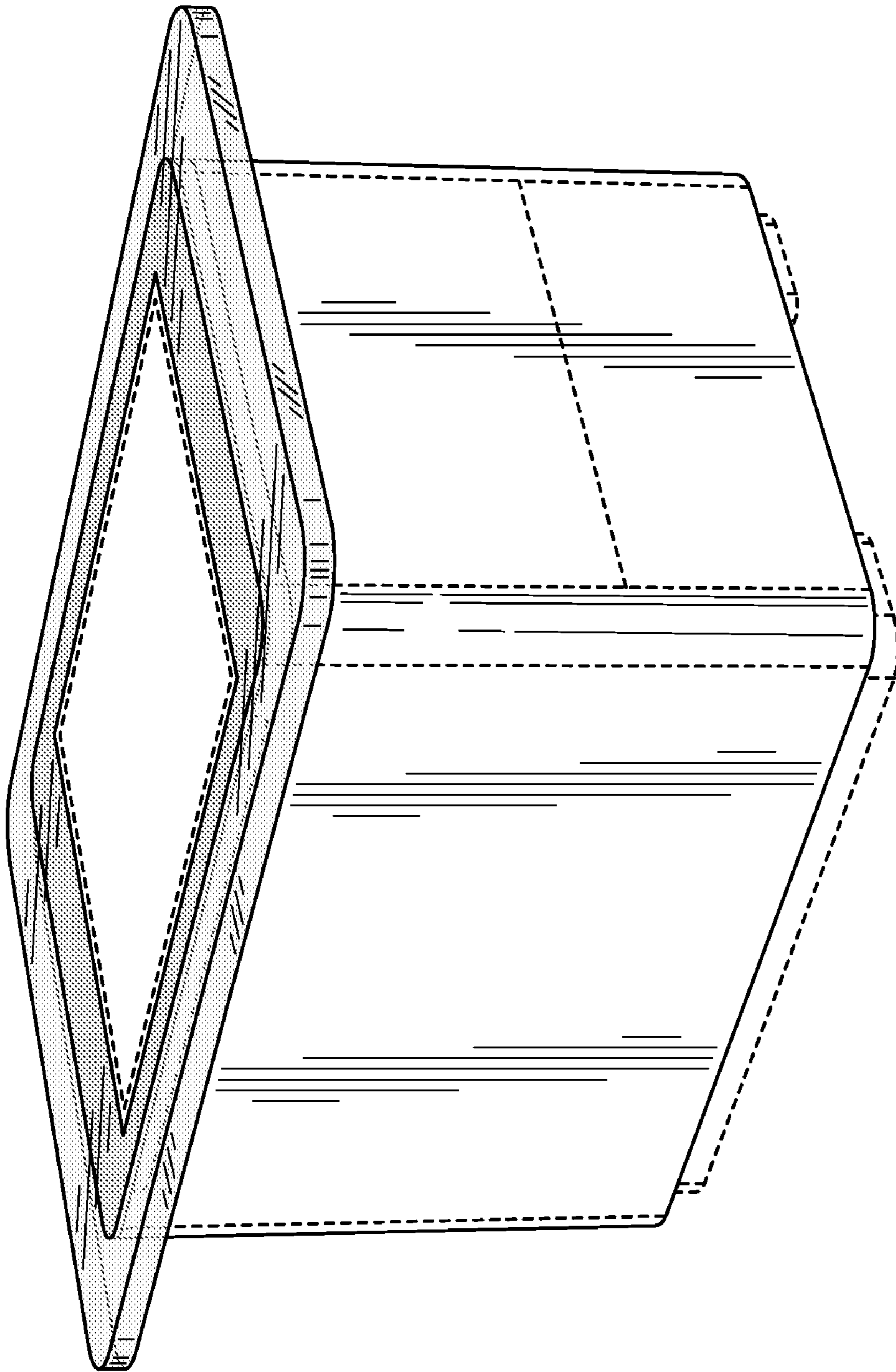


FIG. 7

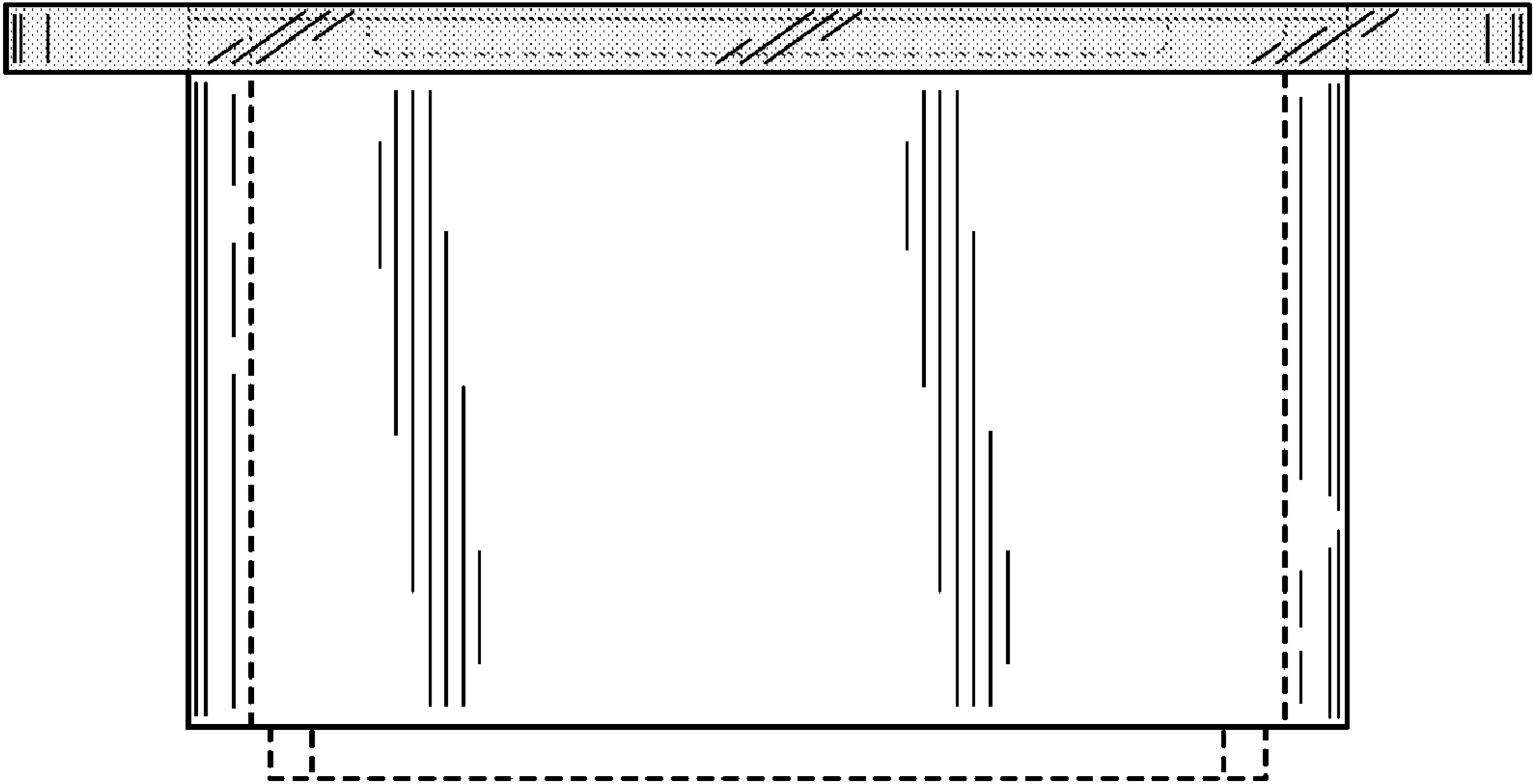


FIG. 8

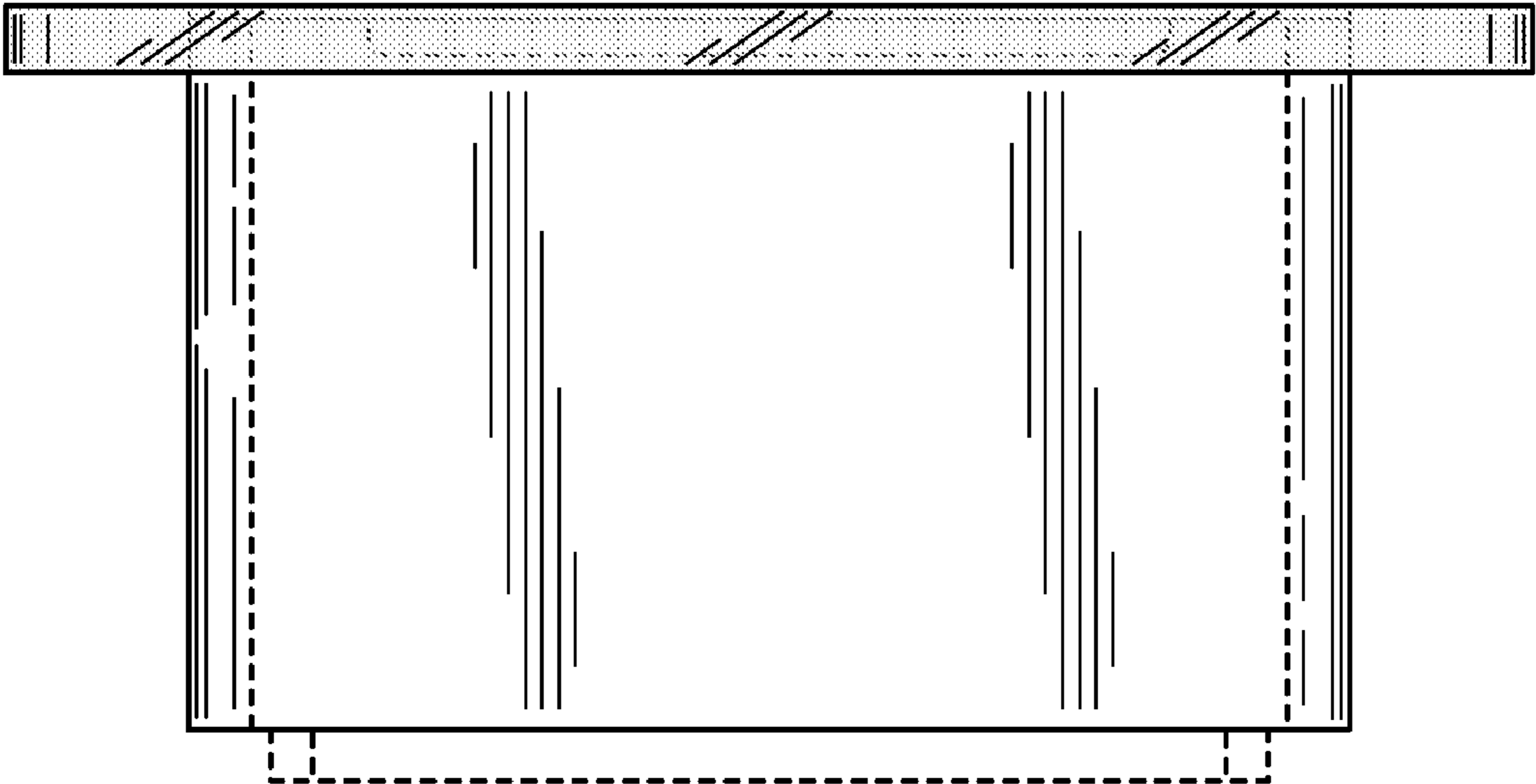


FIG. 9

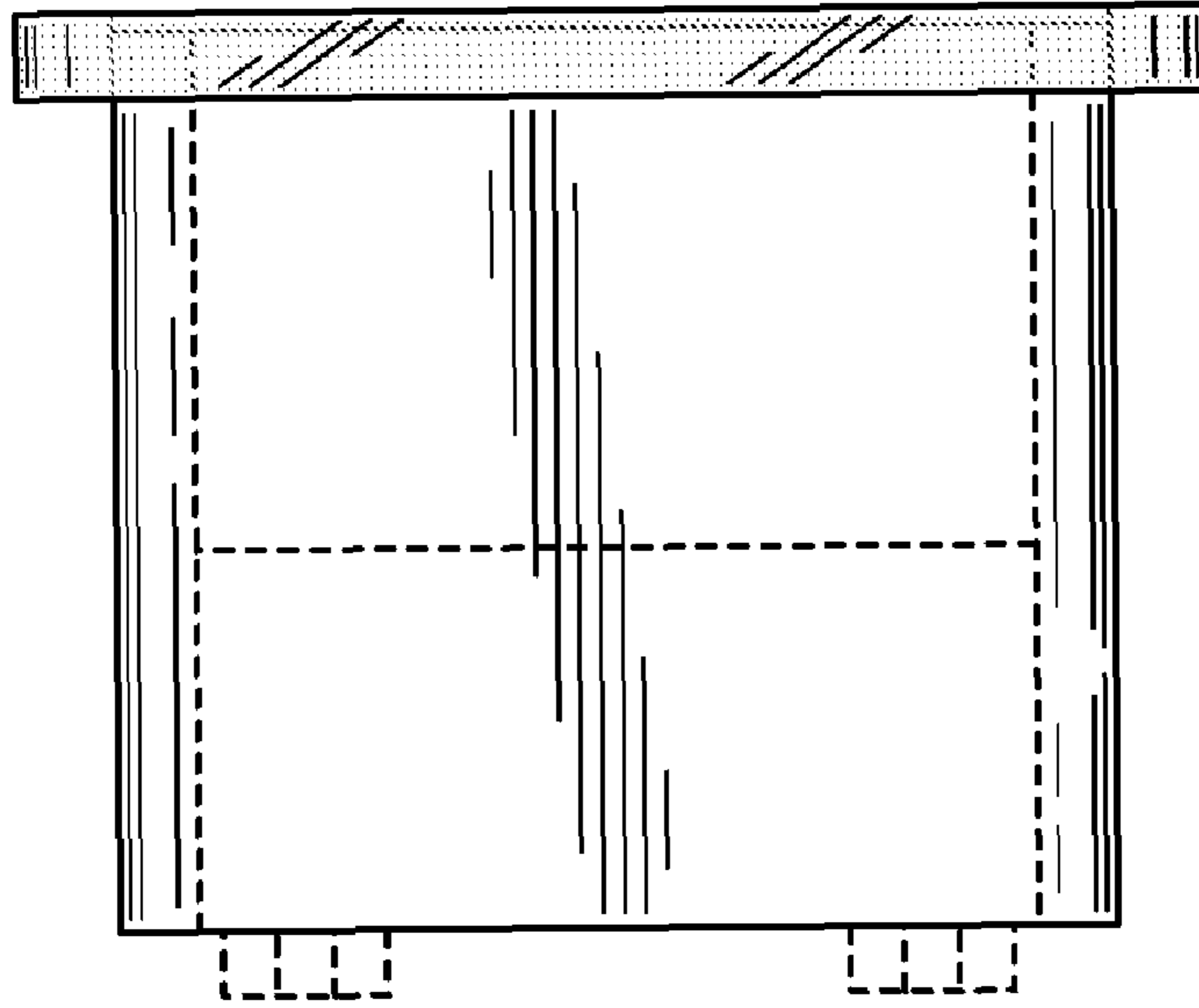


FIG. 10

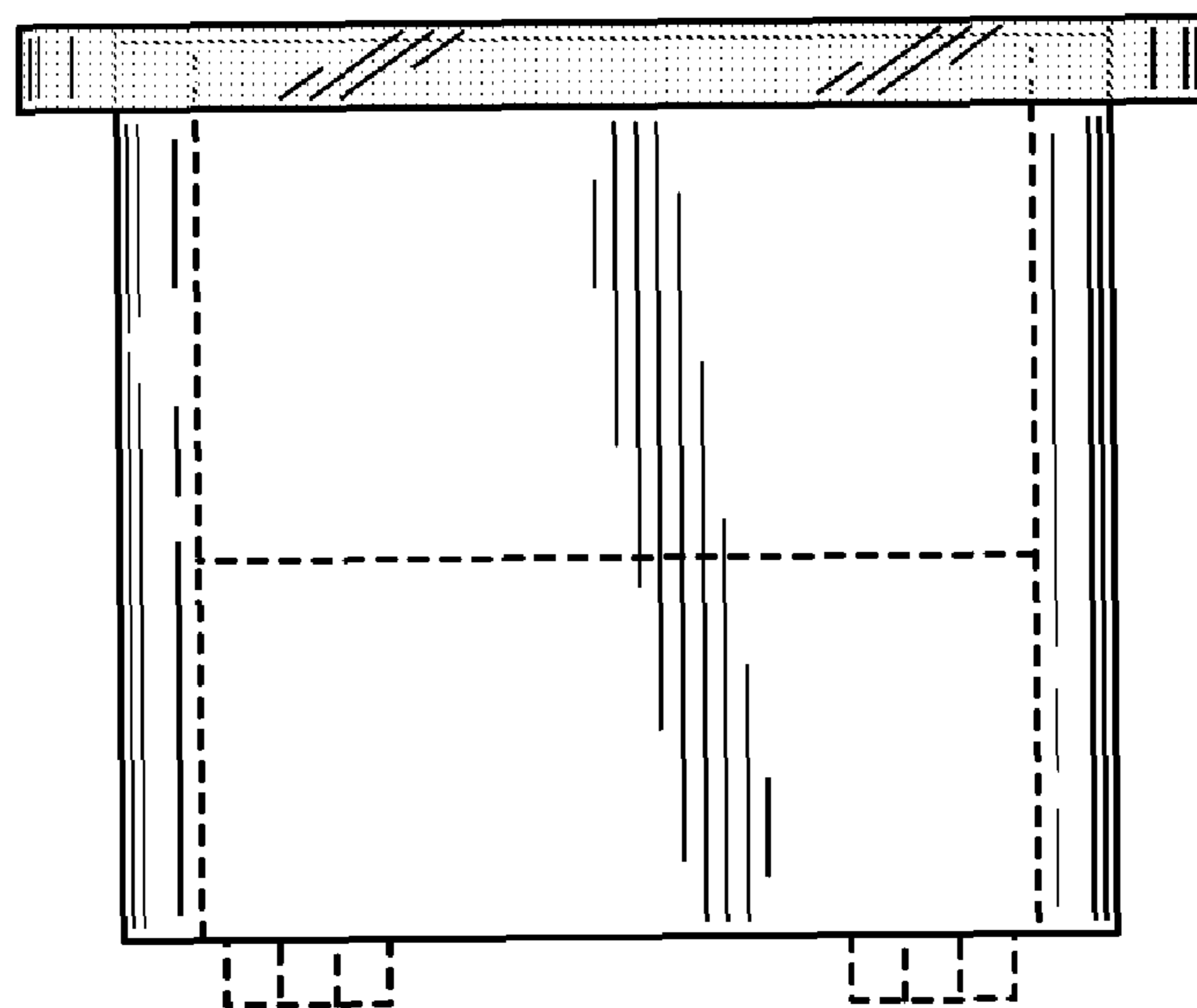


FIG. 11

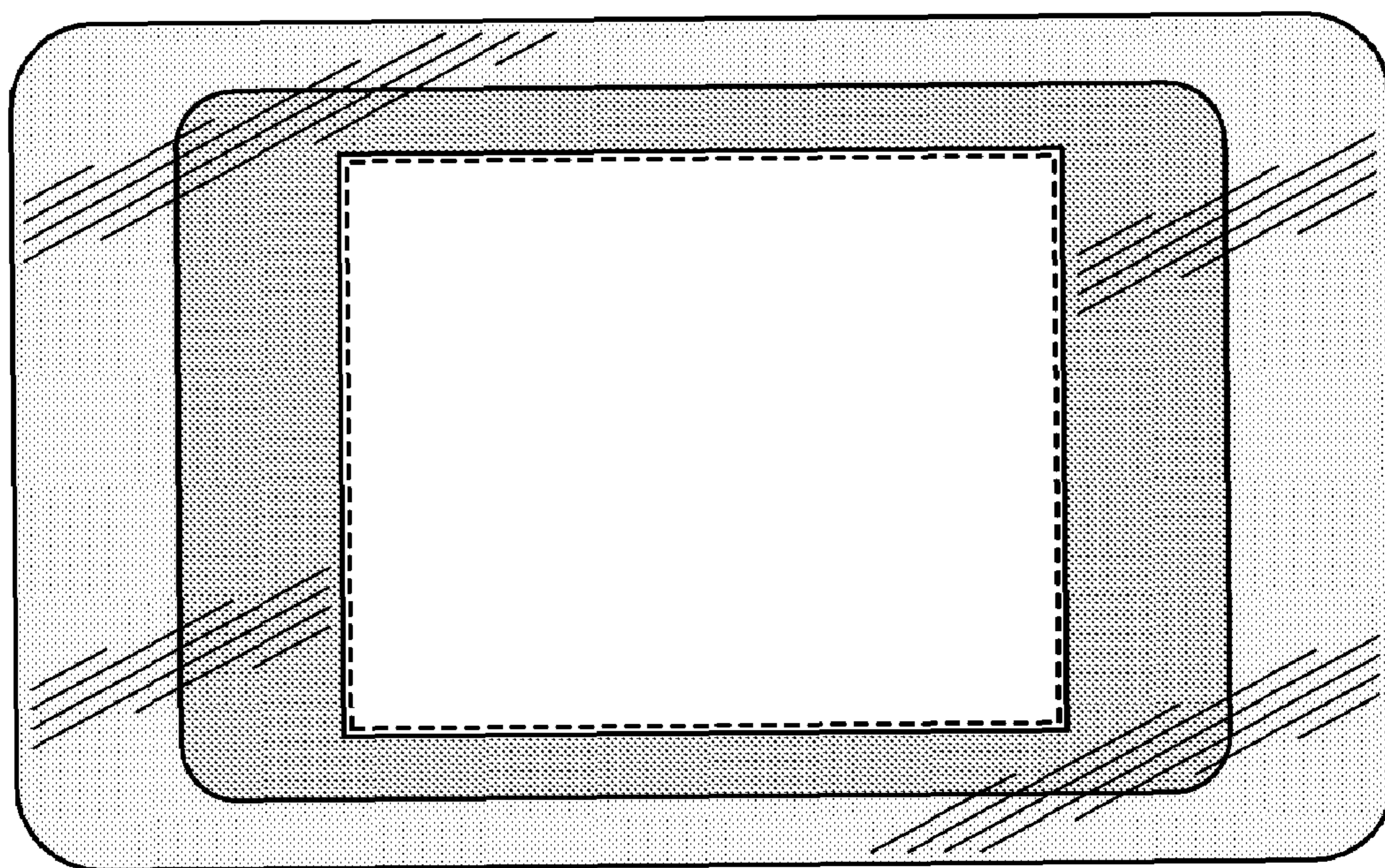


FIG. 12

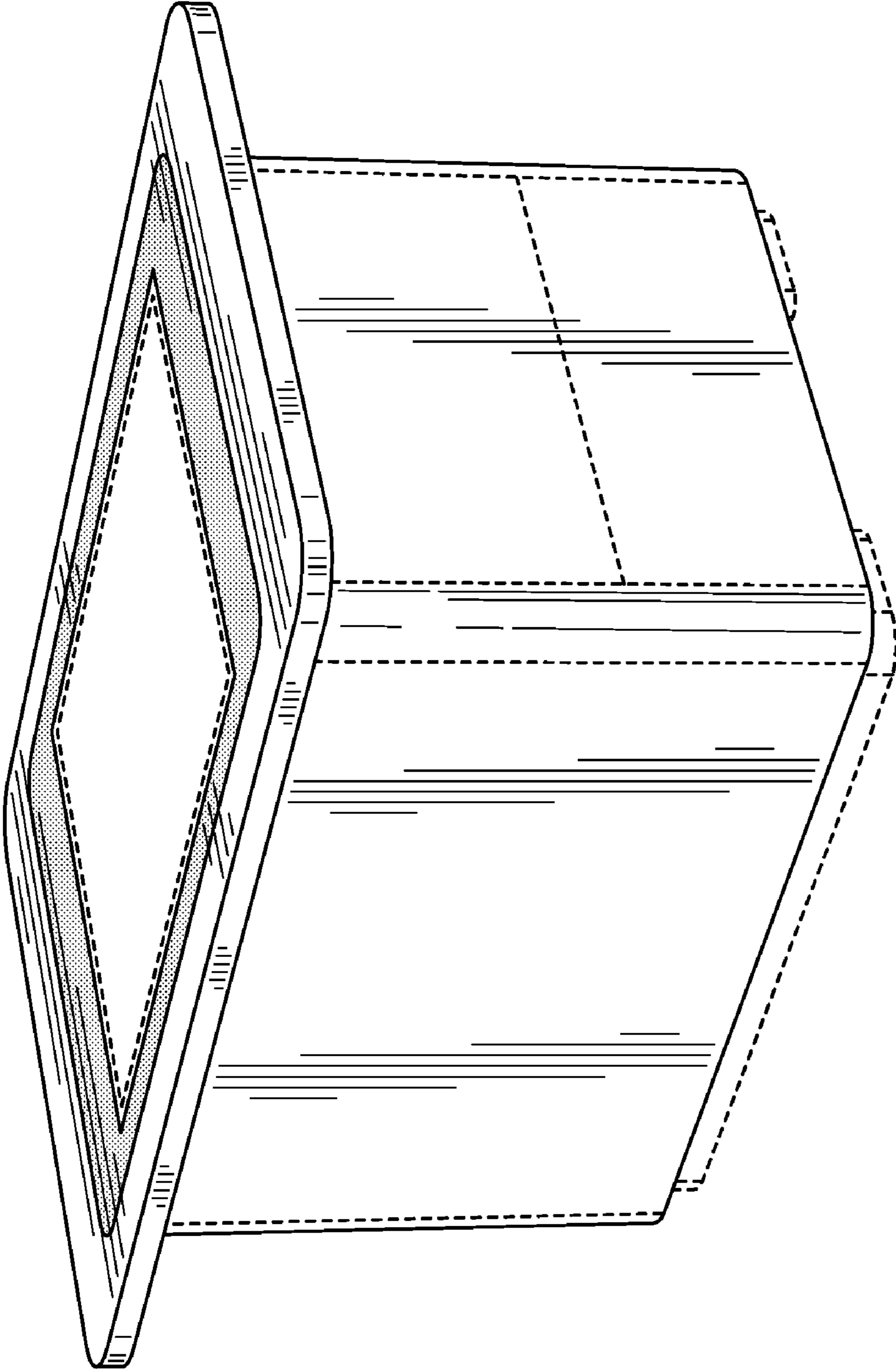


FIG. 13

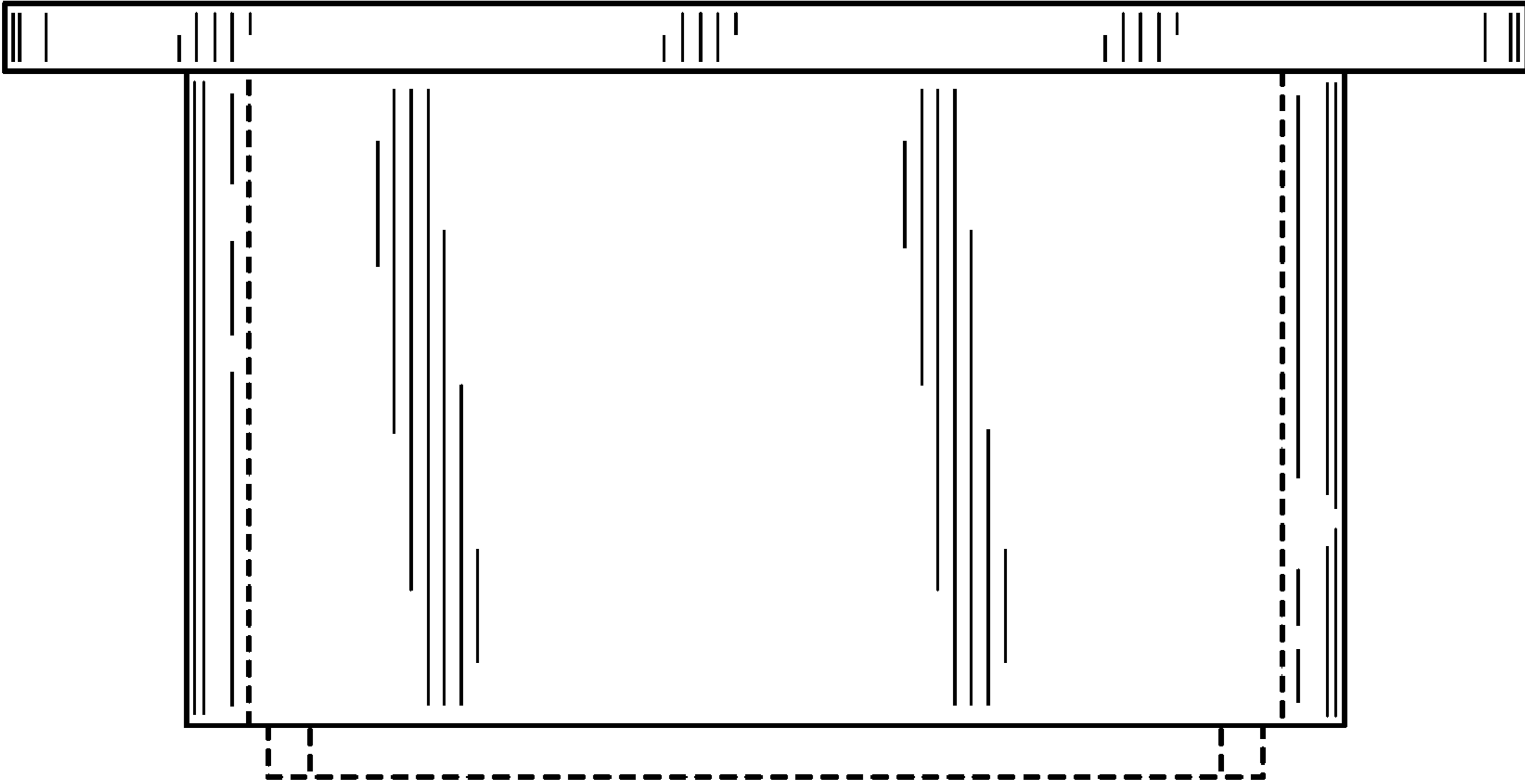


FIG. 14

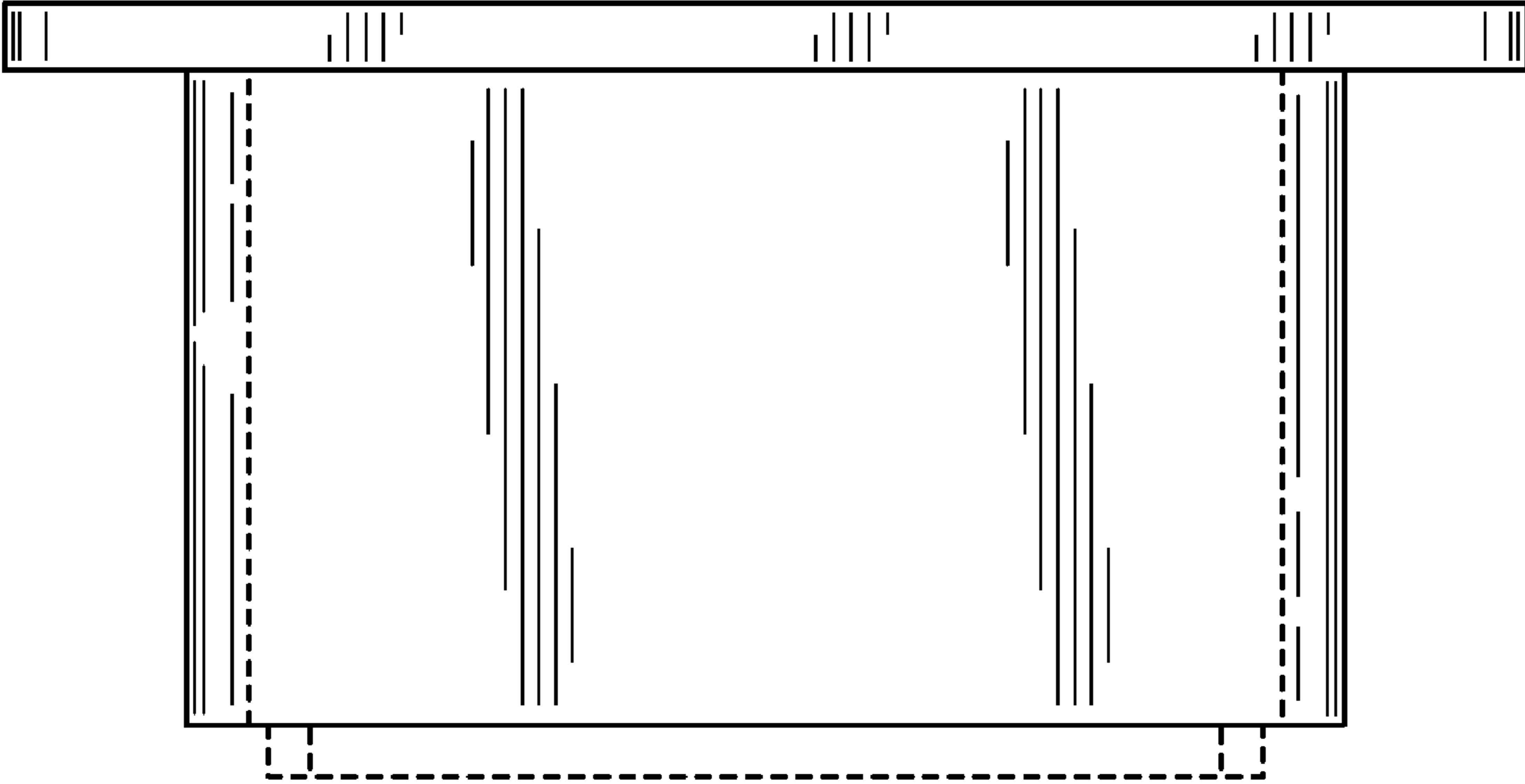


FIG. 15

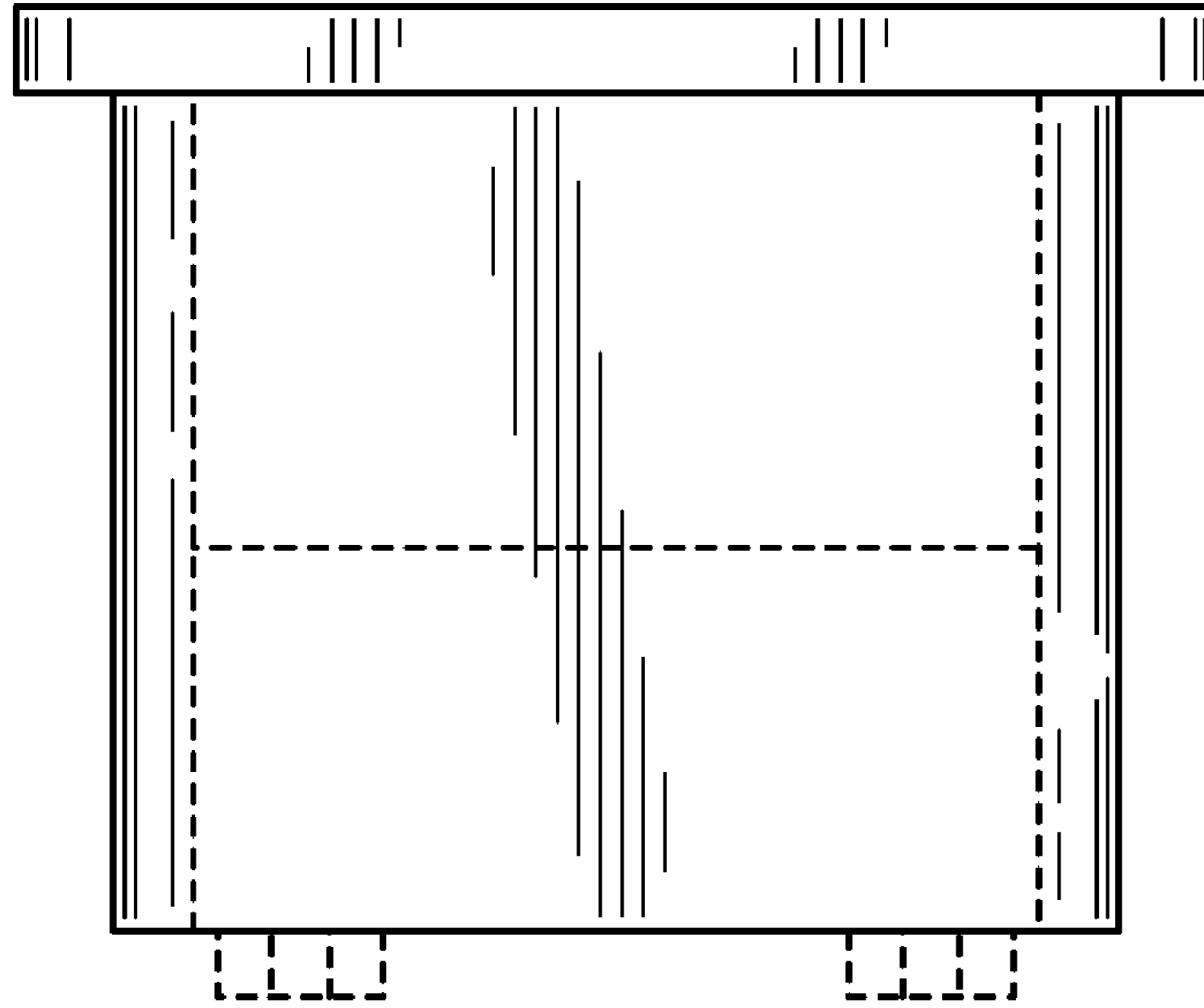


FIG. 16

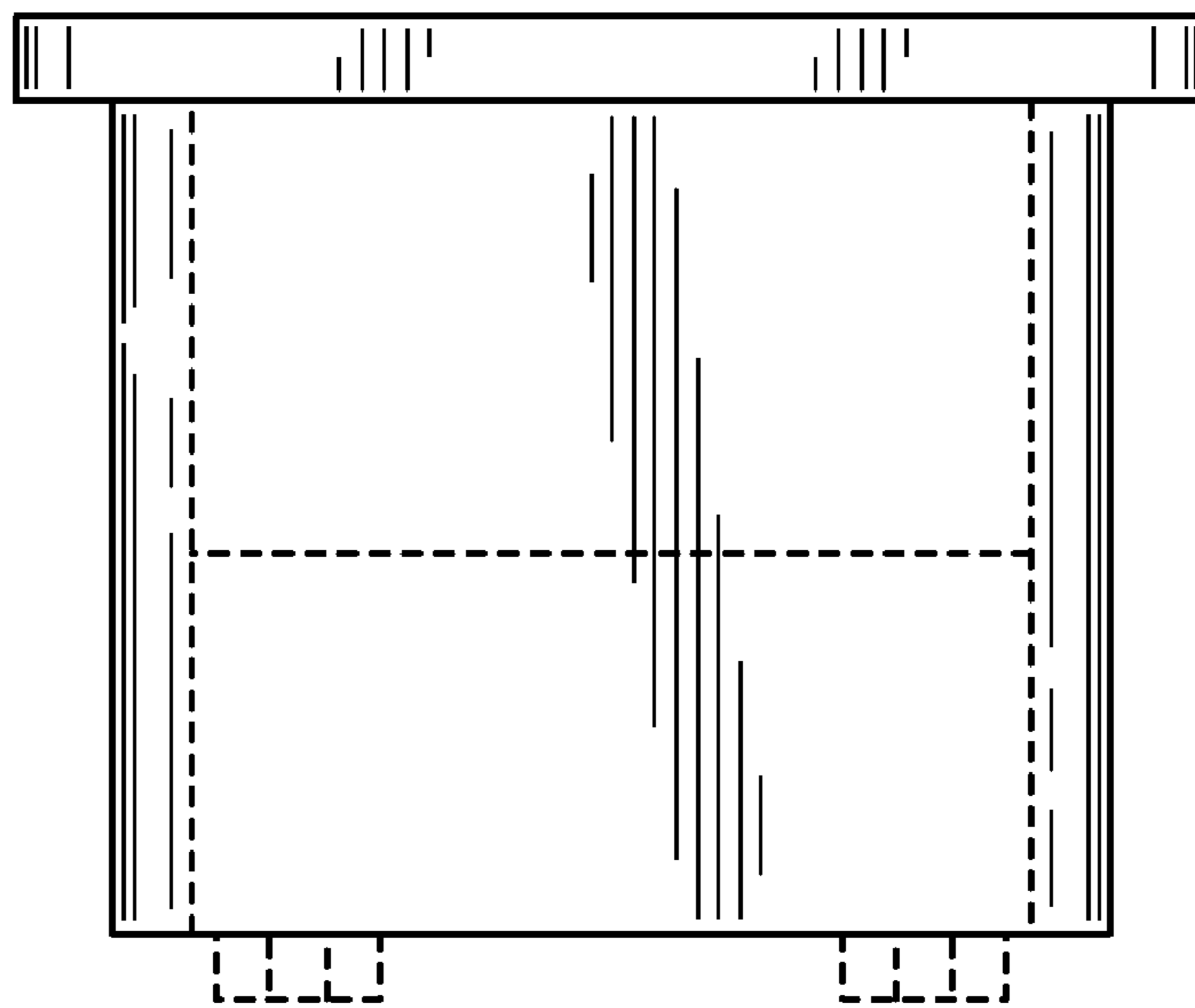


FIG. 17

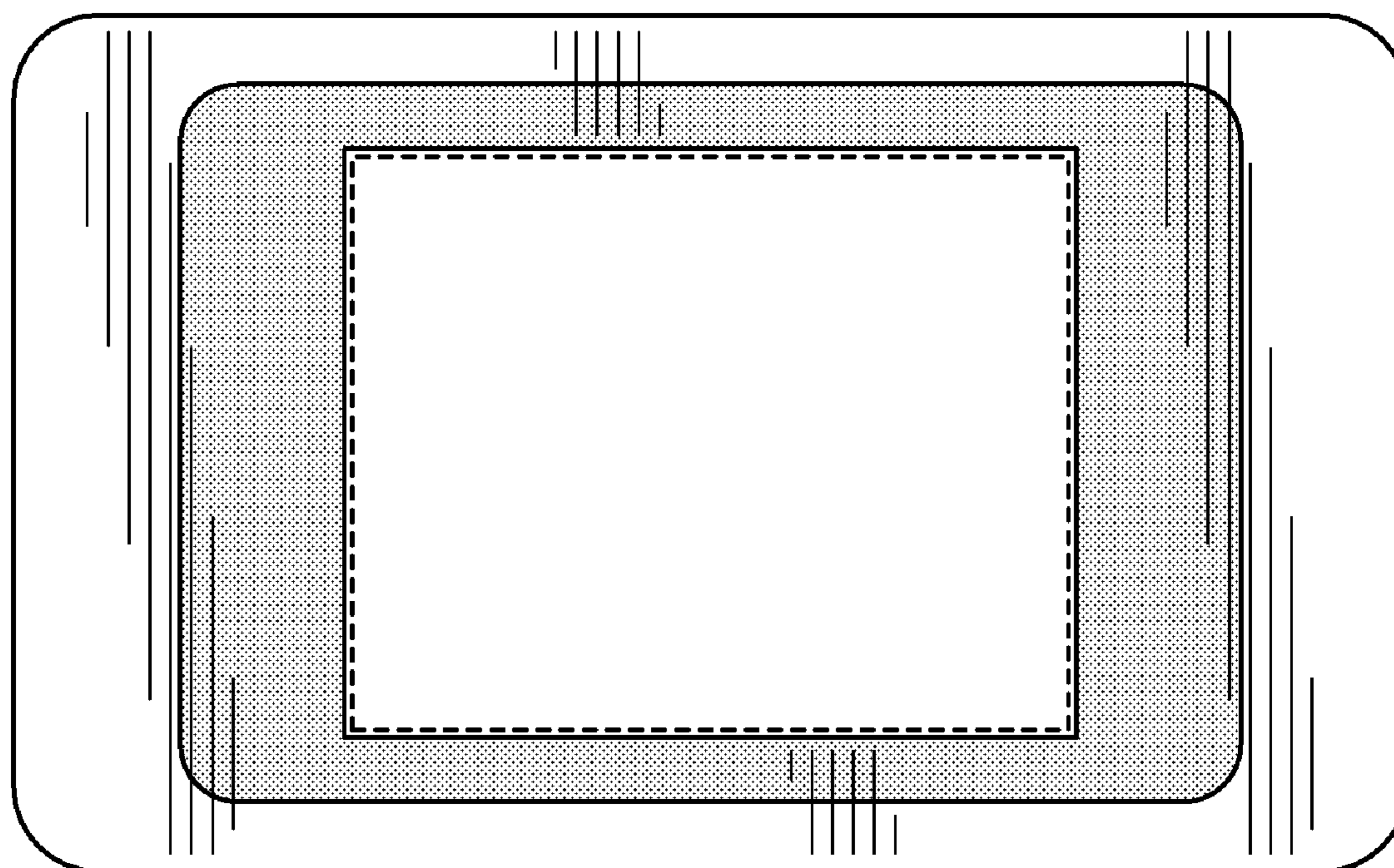


FIG. 18

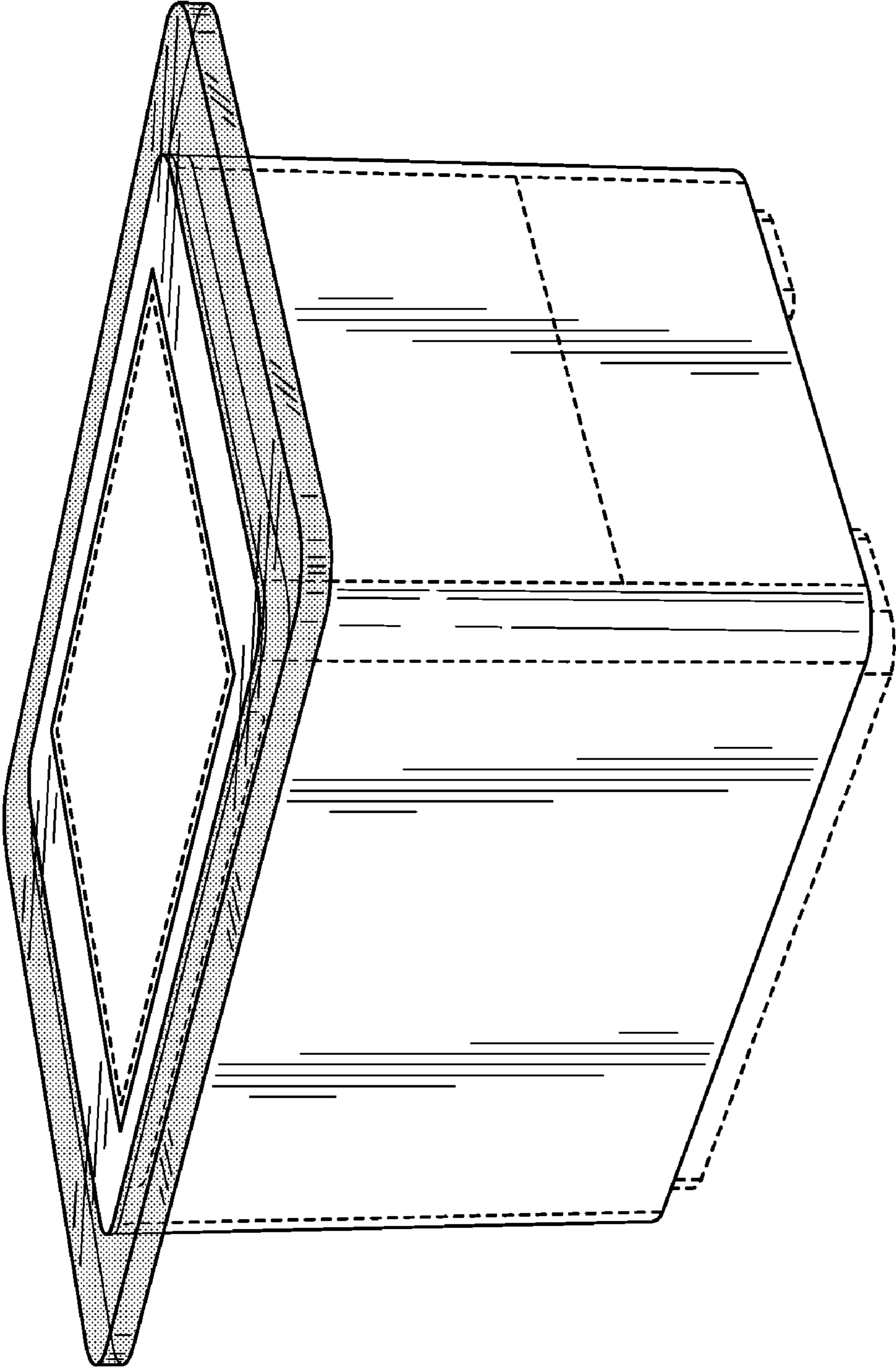


FIG. 19

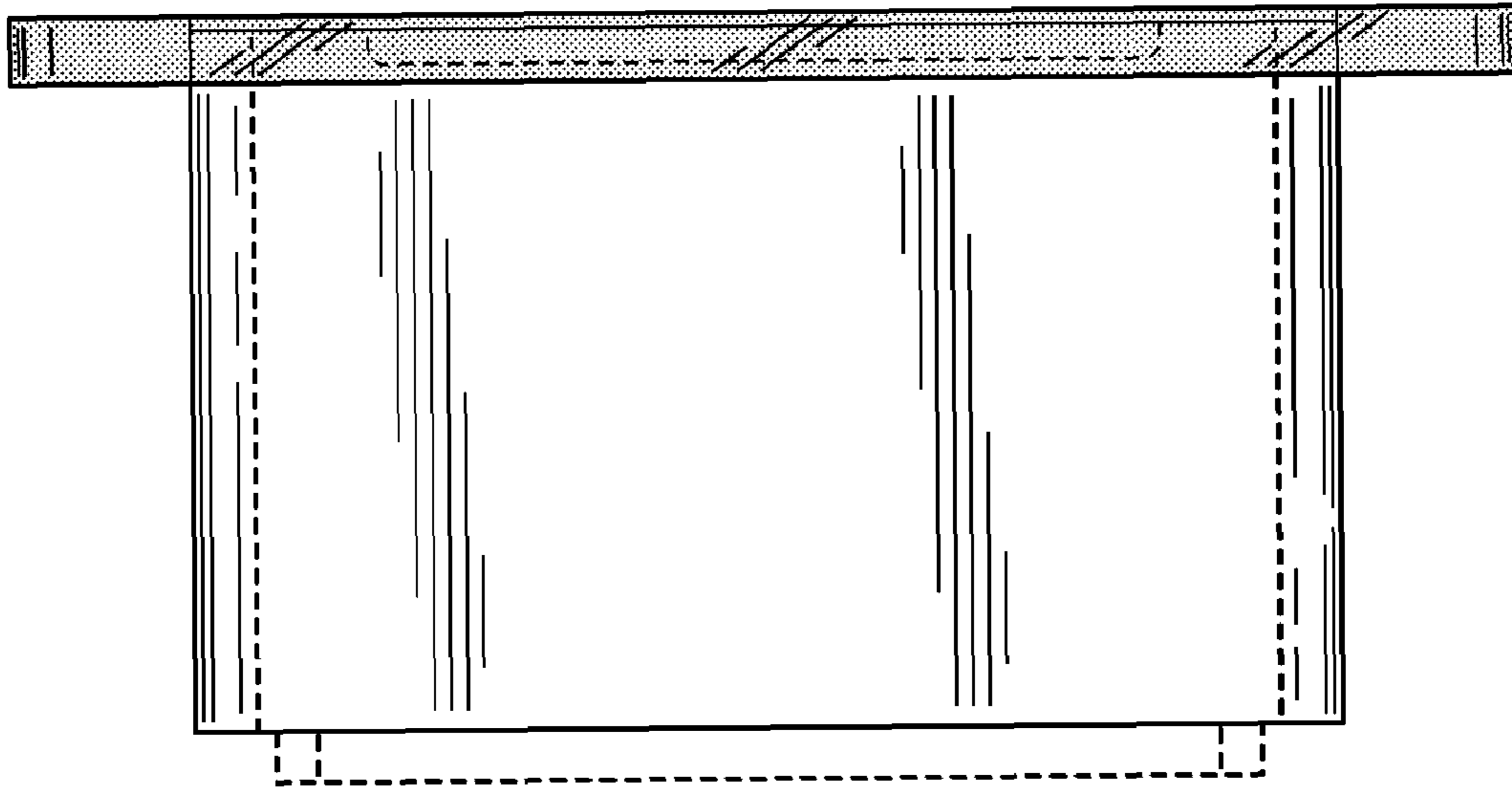


FIG. 20

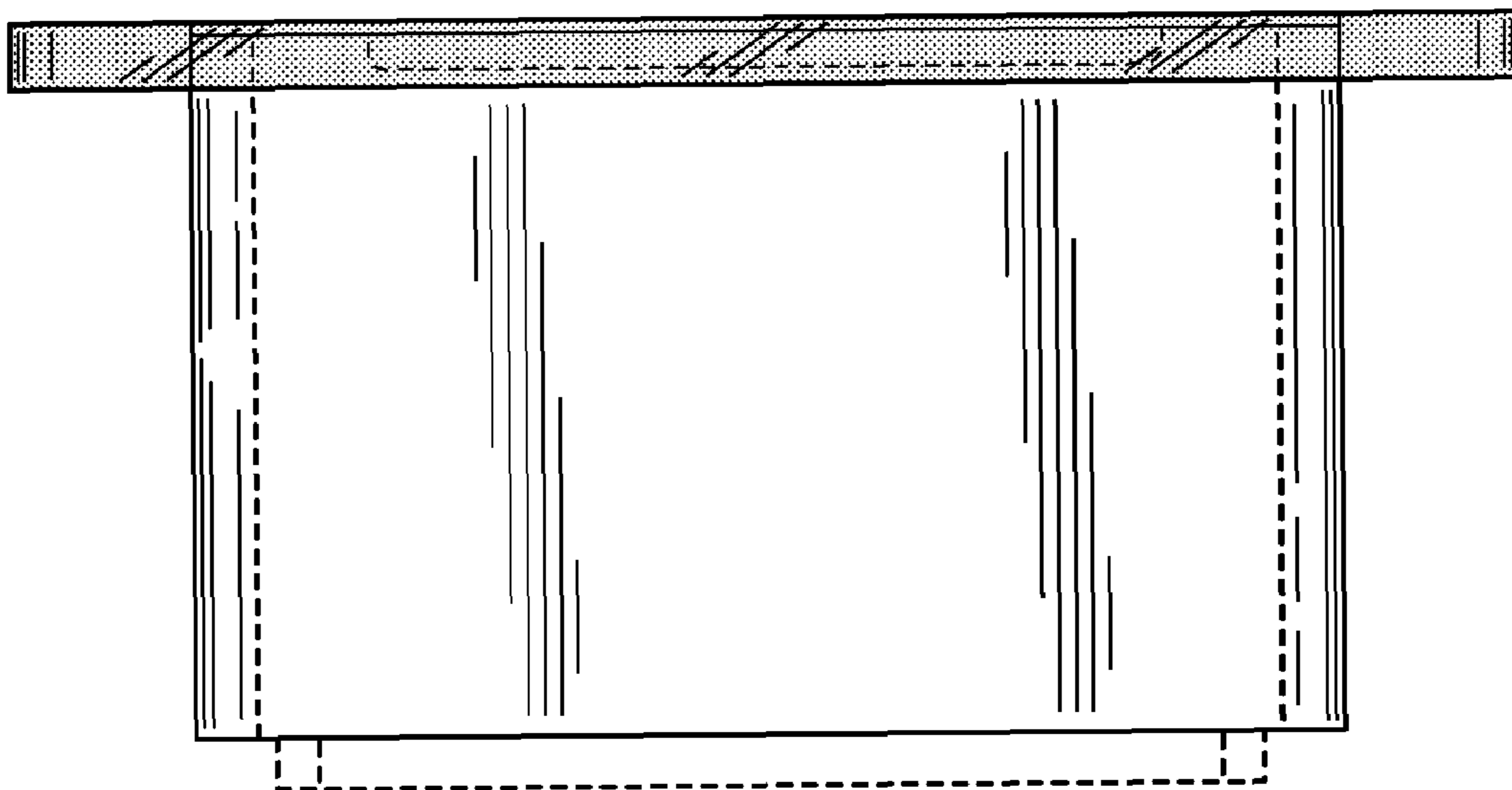


FIG. 21

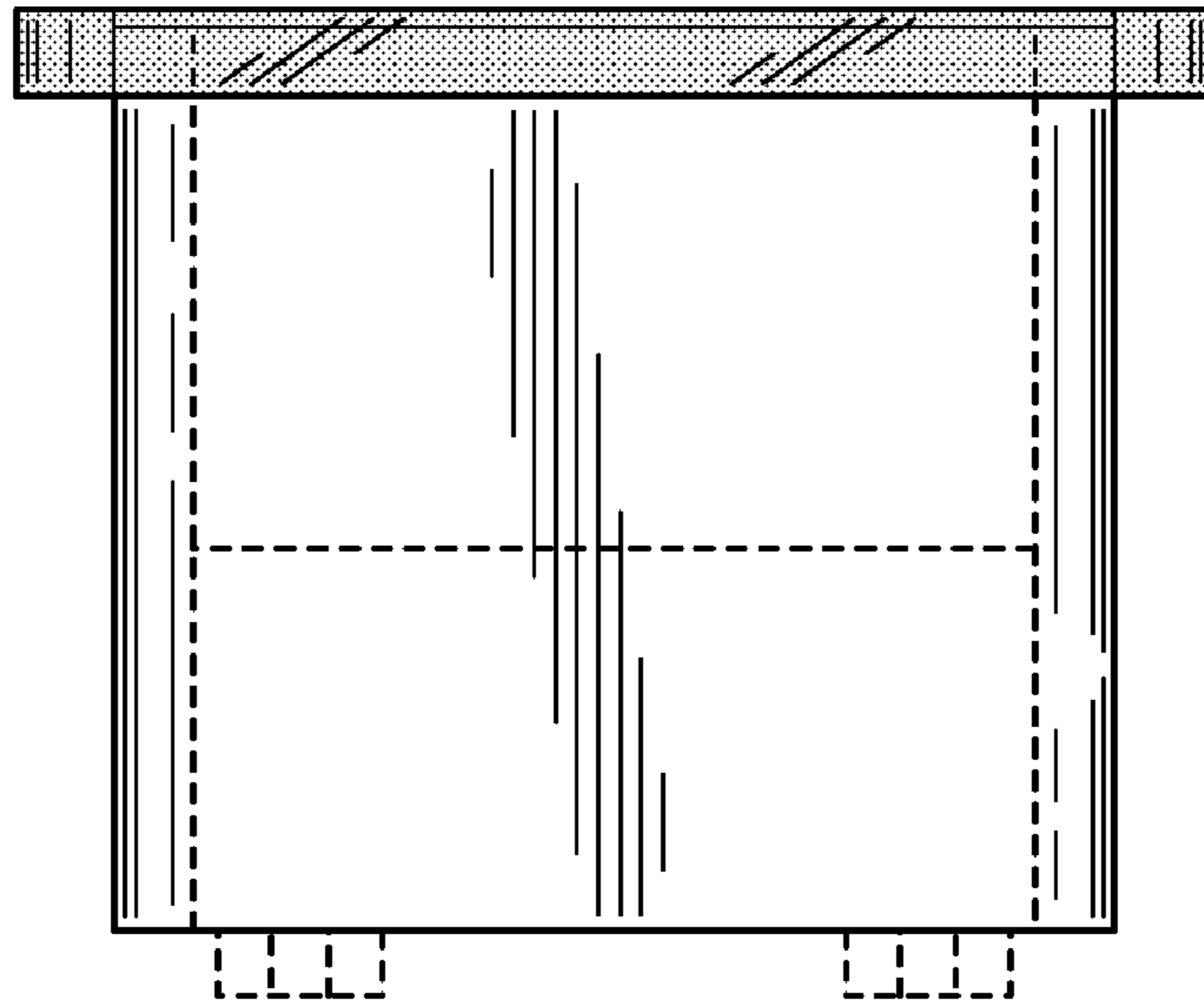


FIG. 22

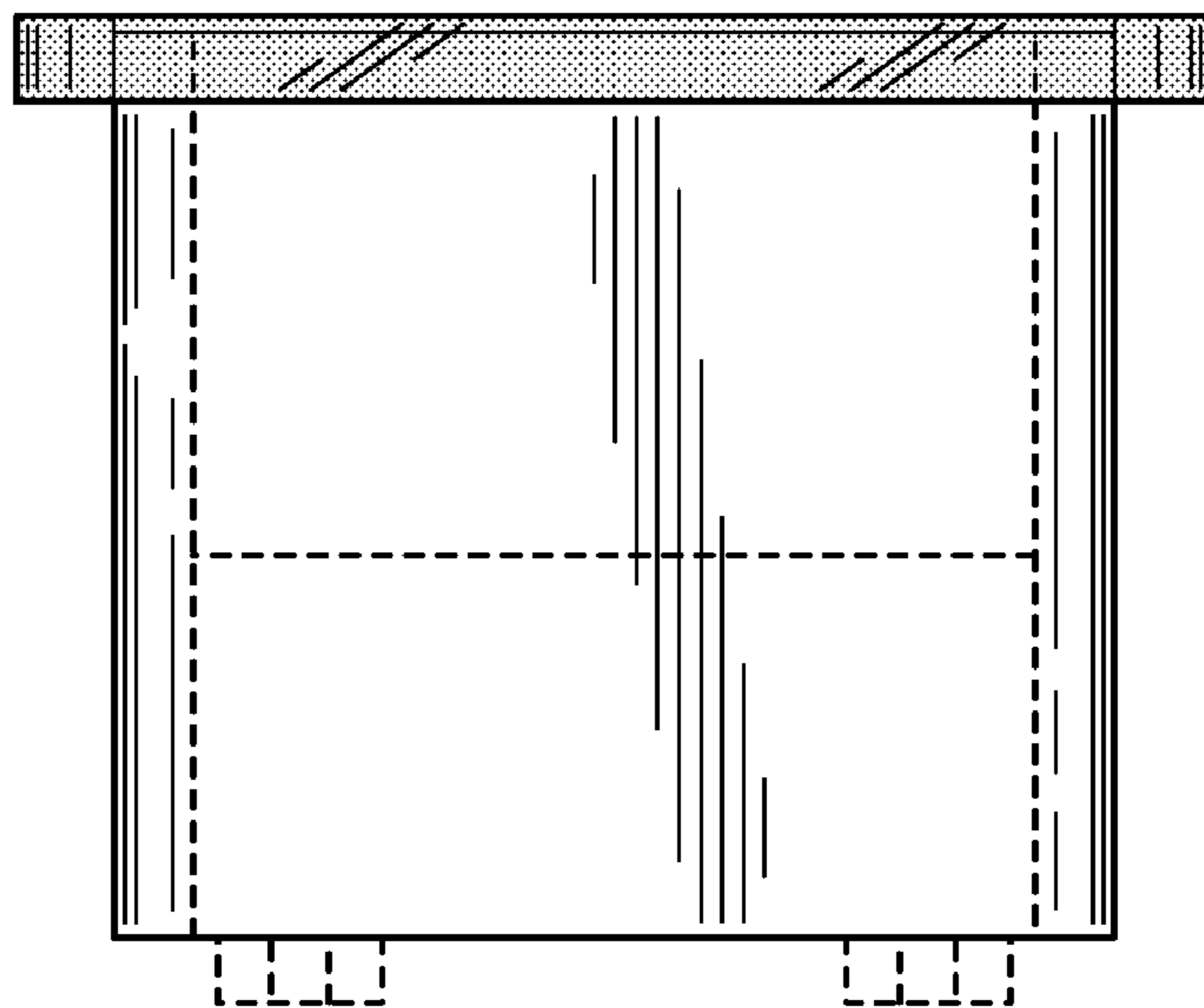


FIG. 23

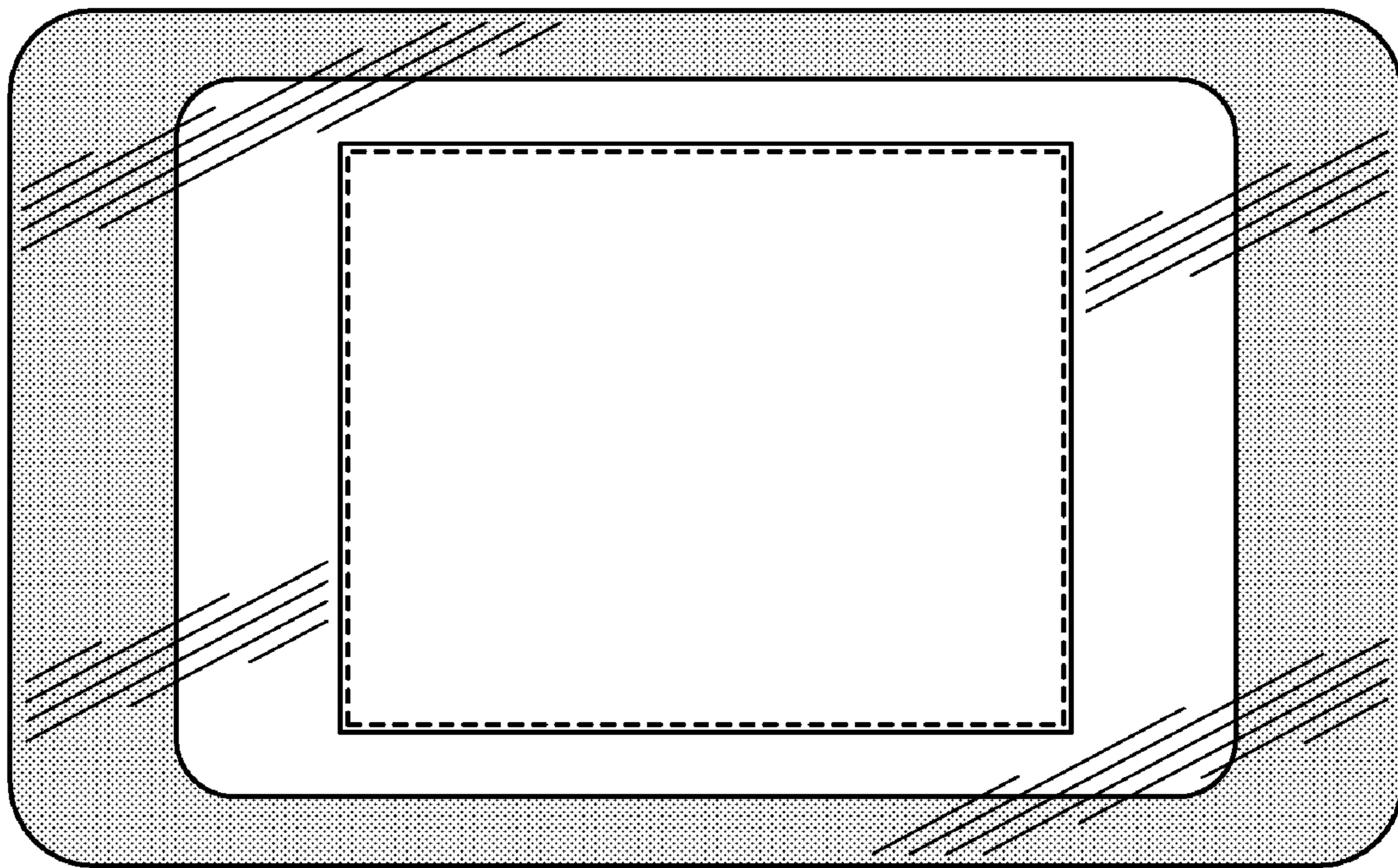


FIG. 24

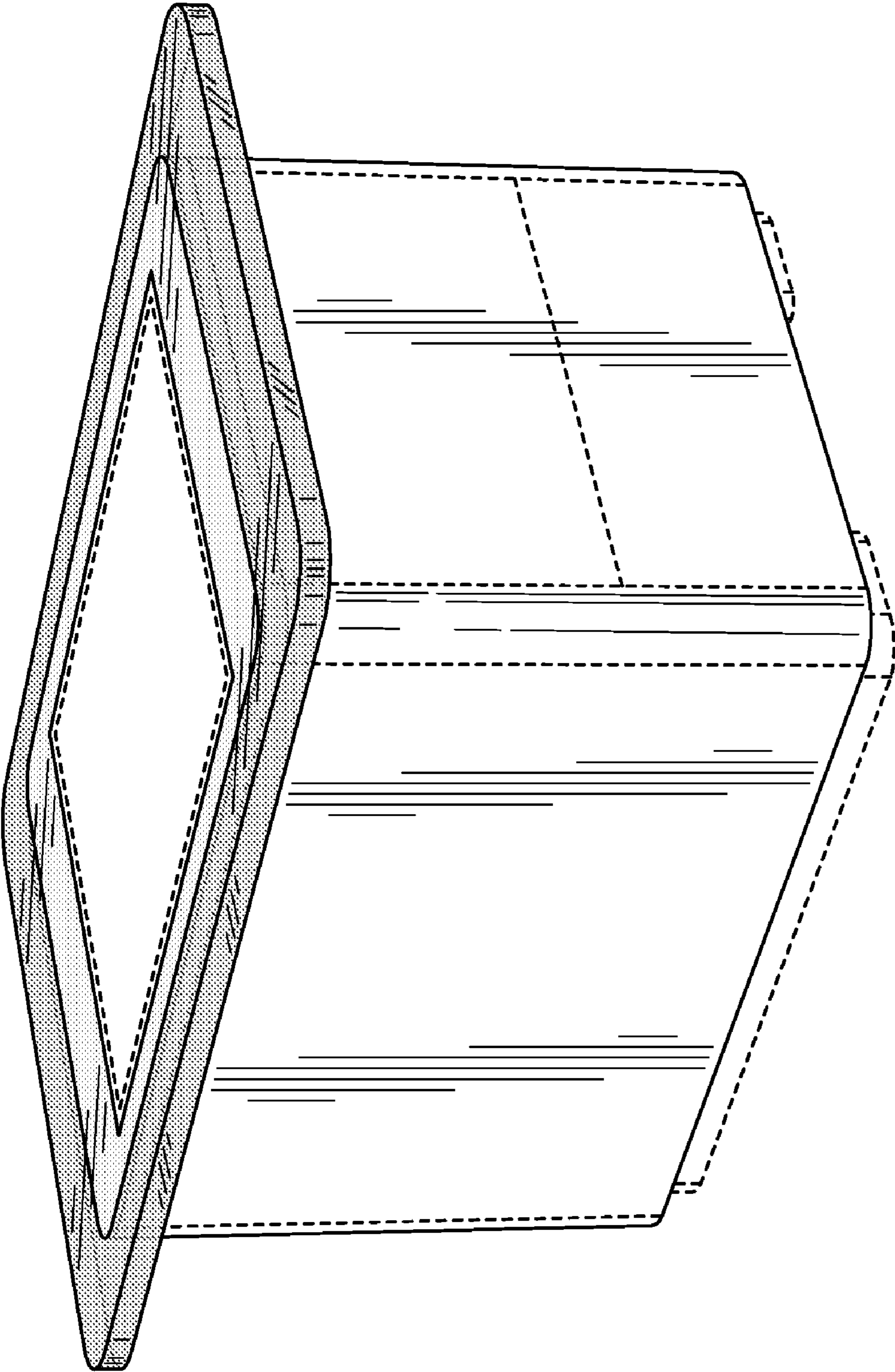


FIG. 25

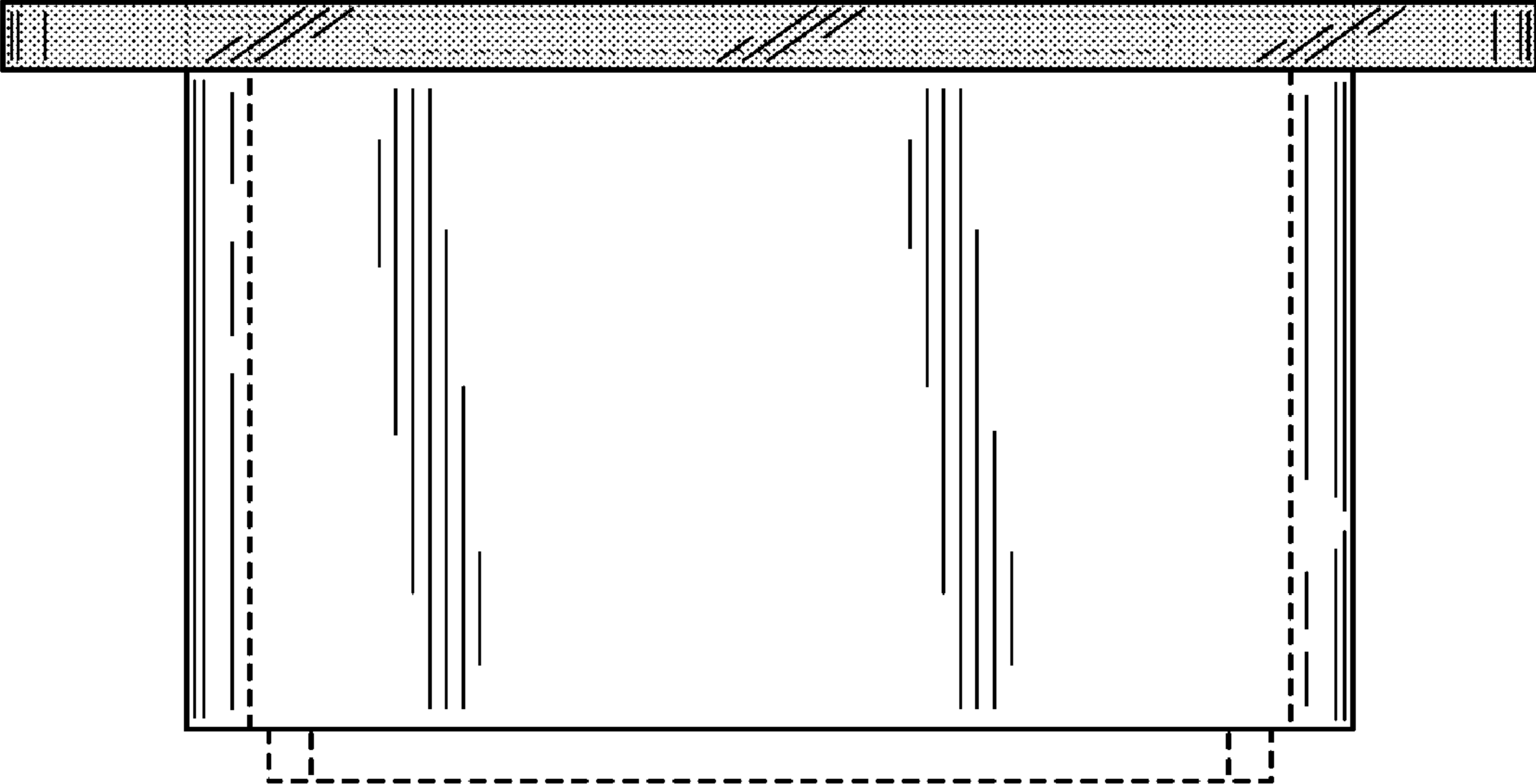


FIG. 26

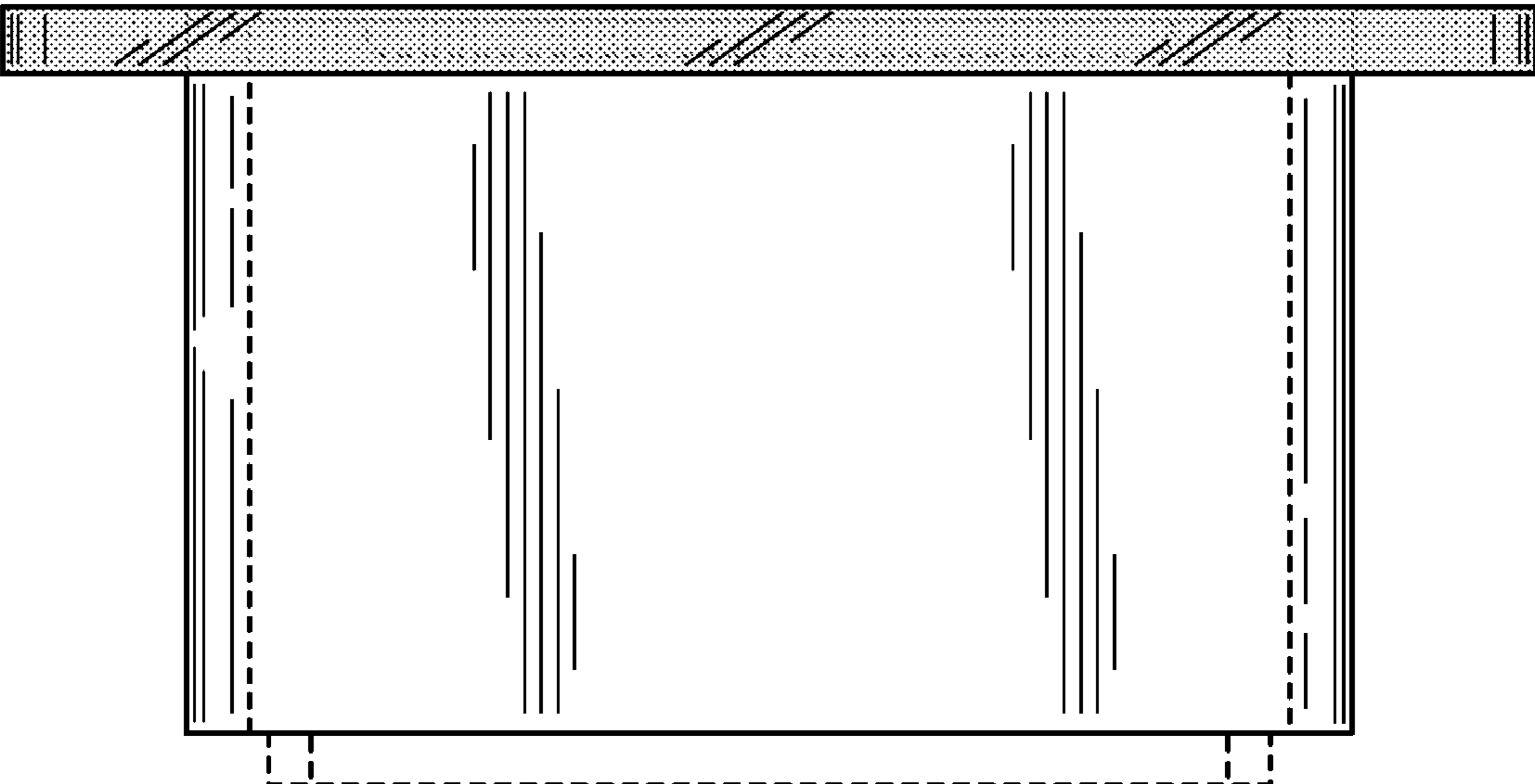


FIG. 27

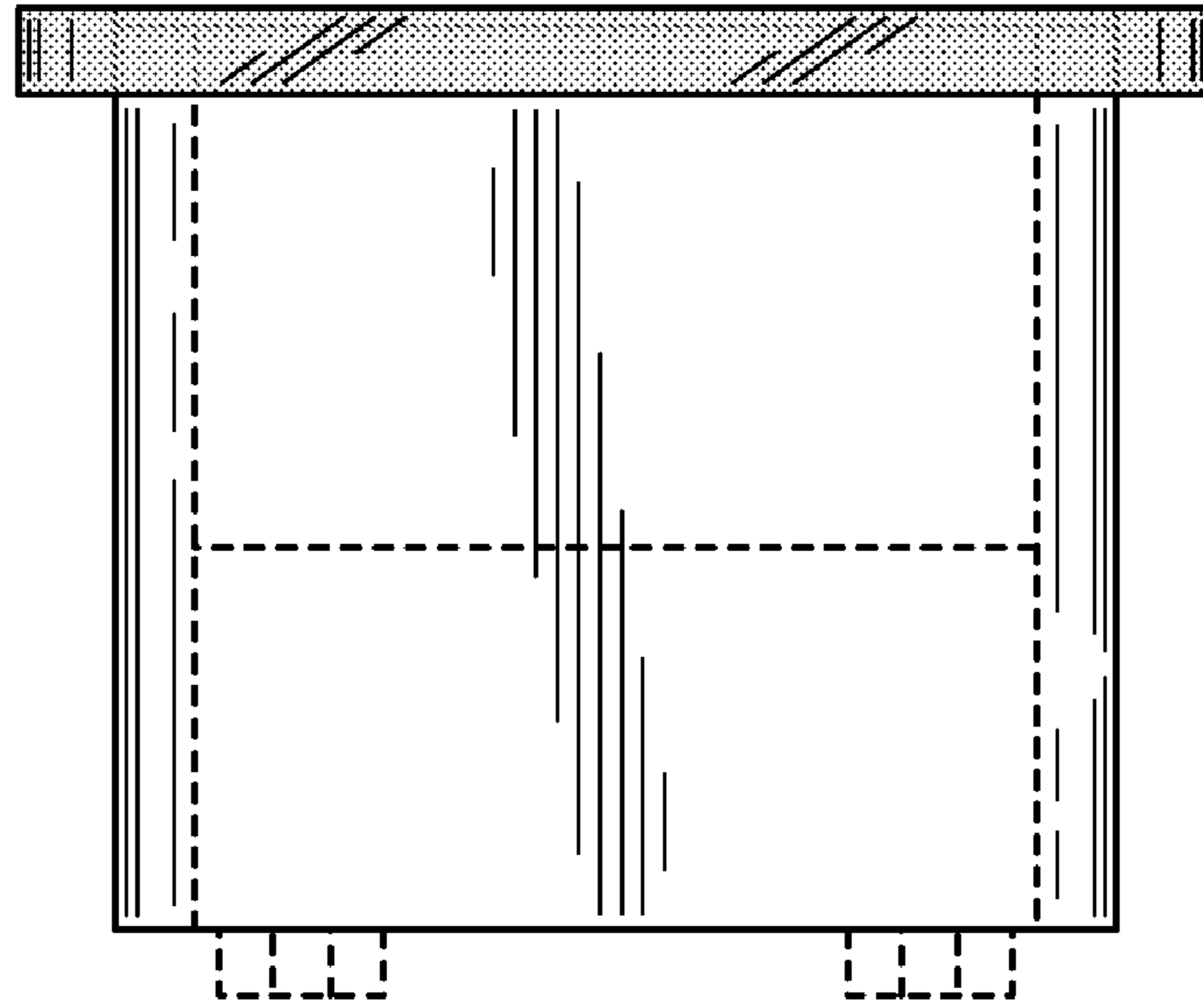


FIG. 28

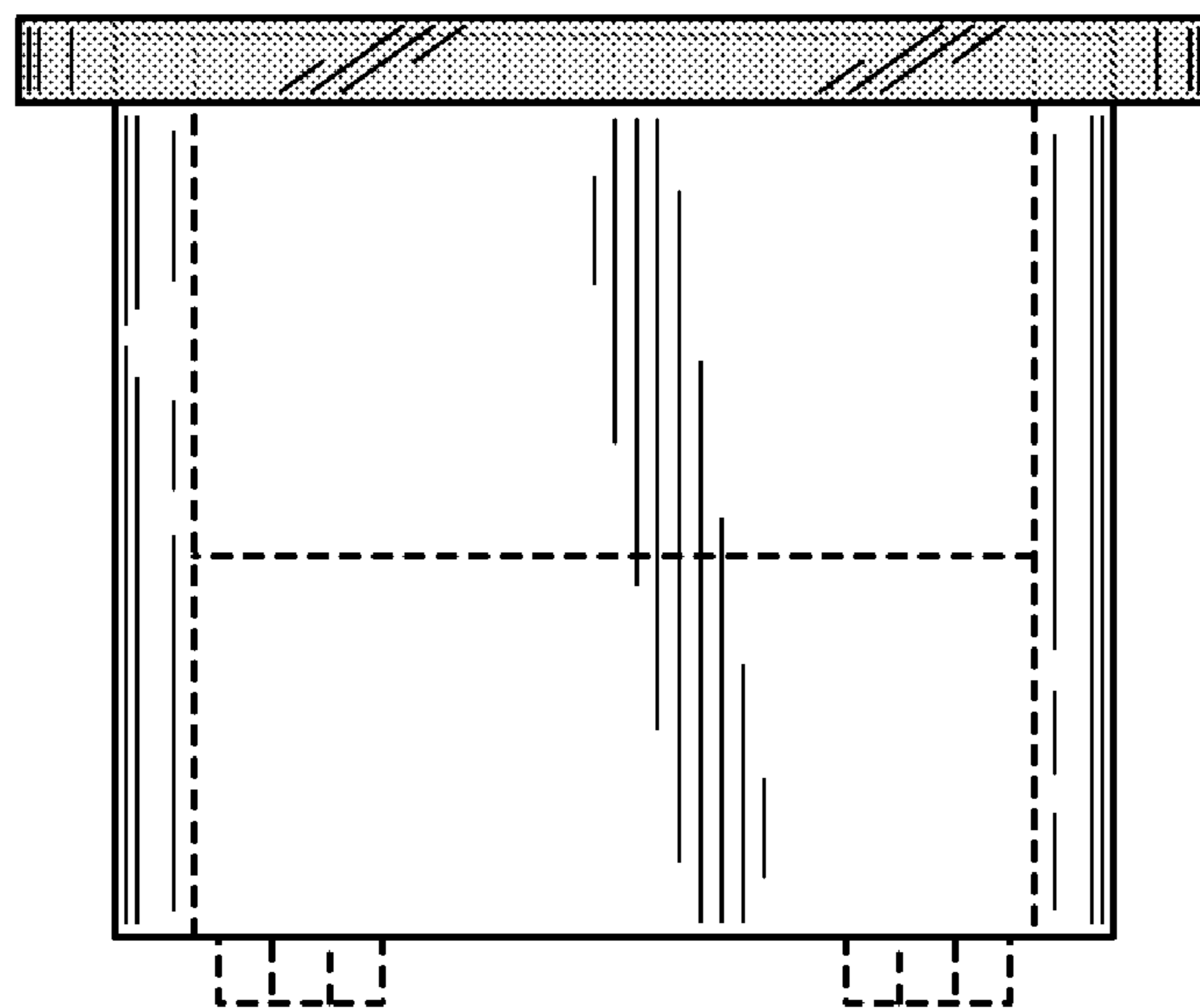


FIG. 29

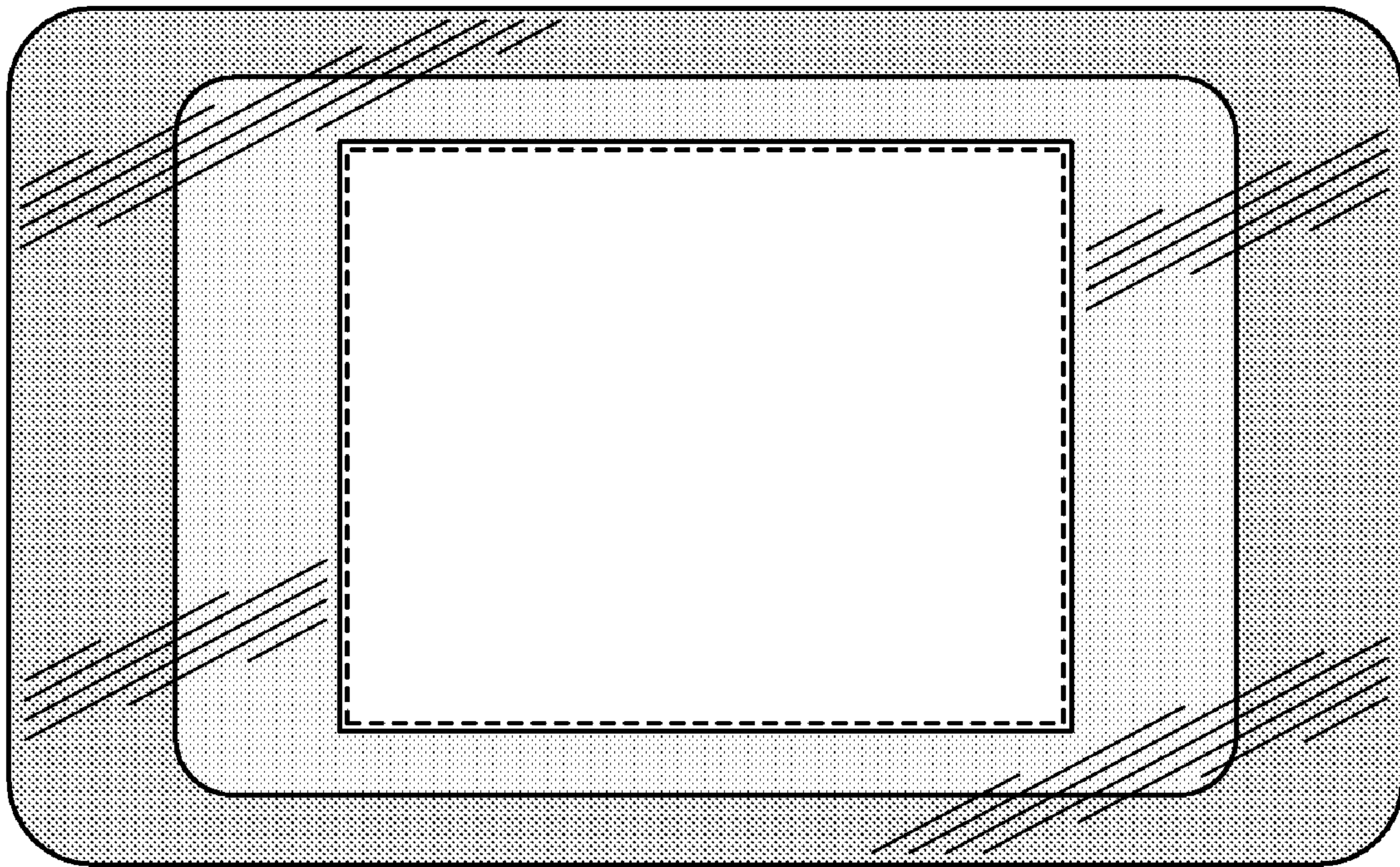


FIG. 30

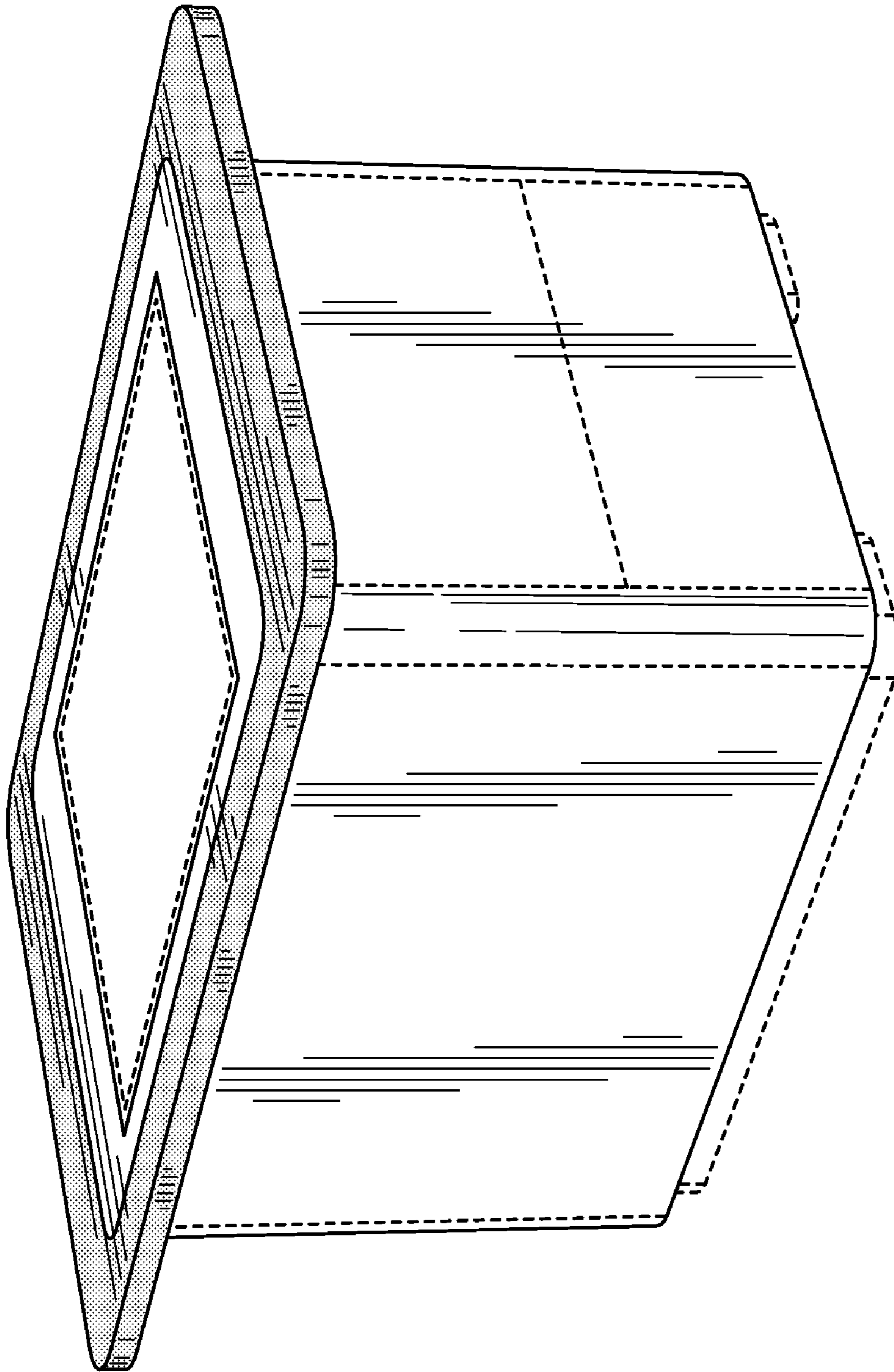


FIG. 31

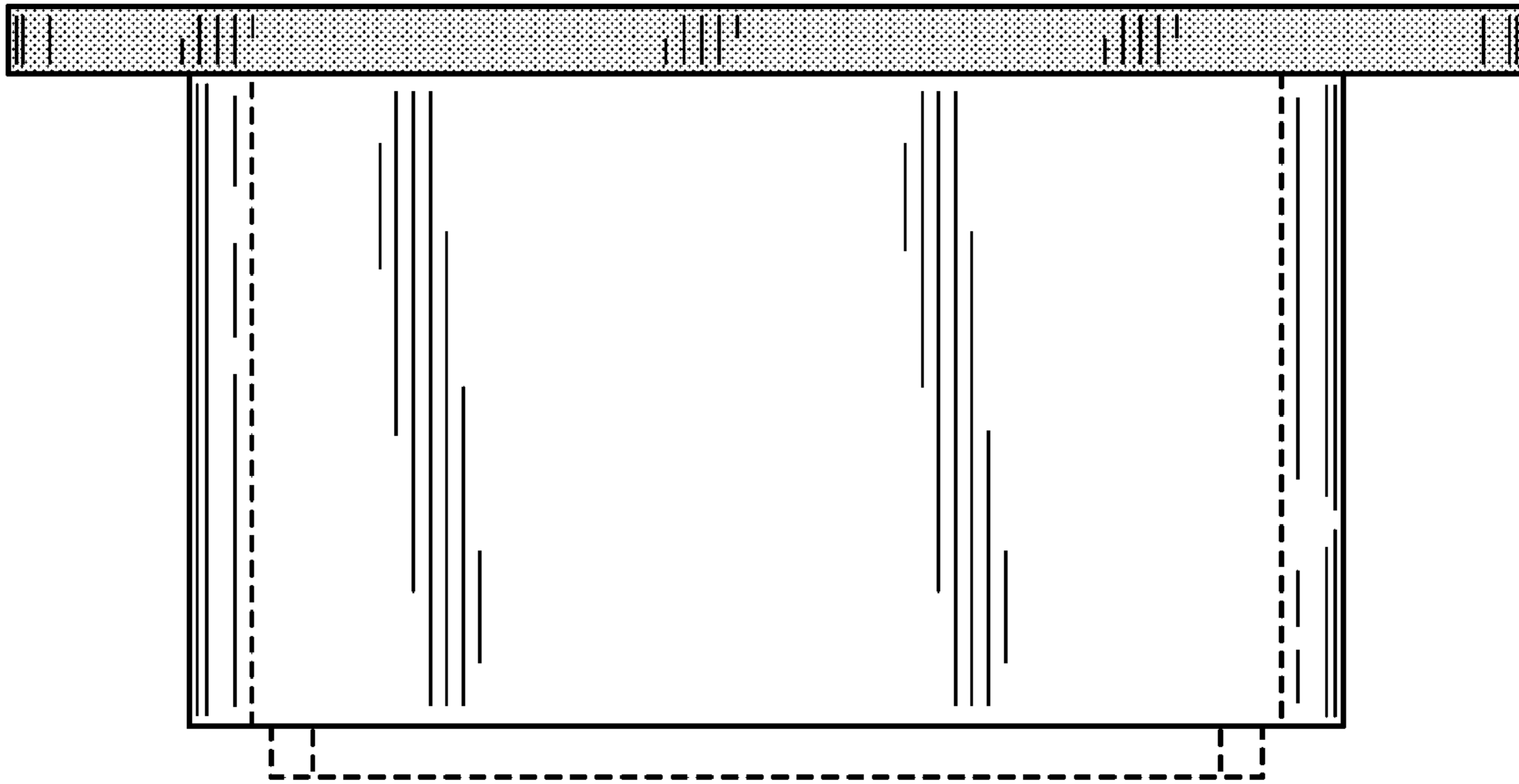


FIG. 32

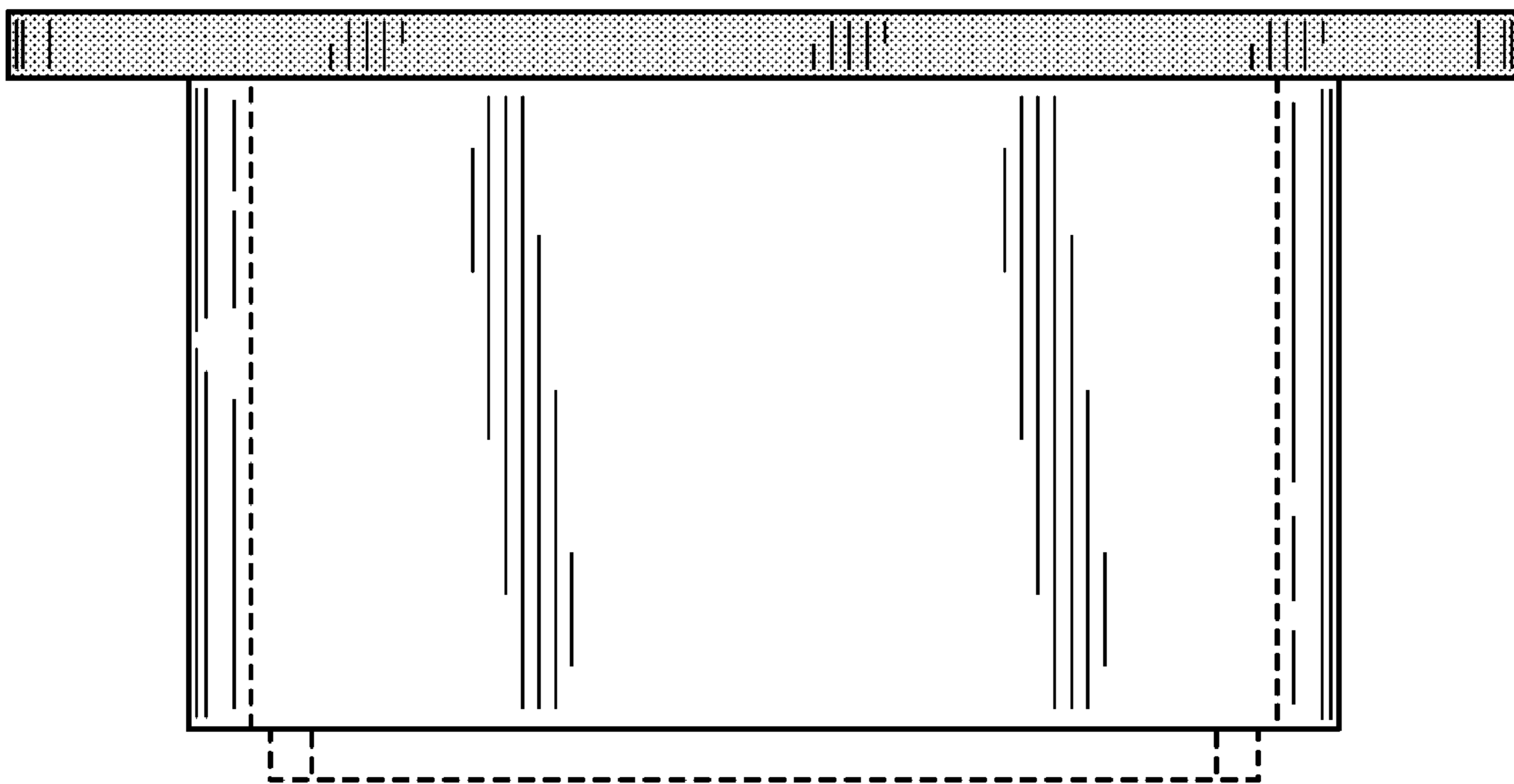


FIG. 33

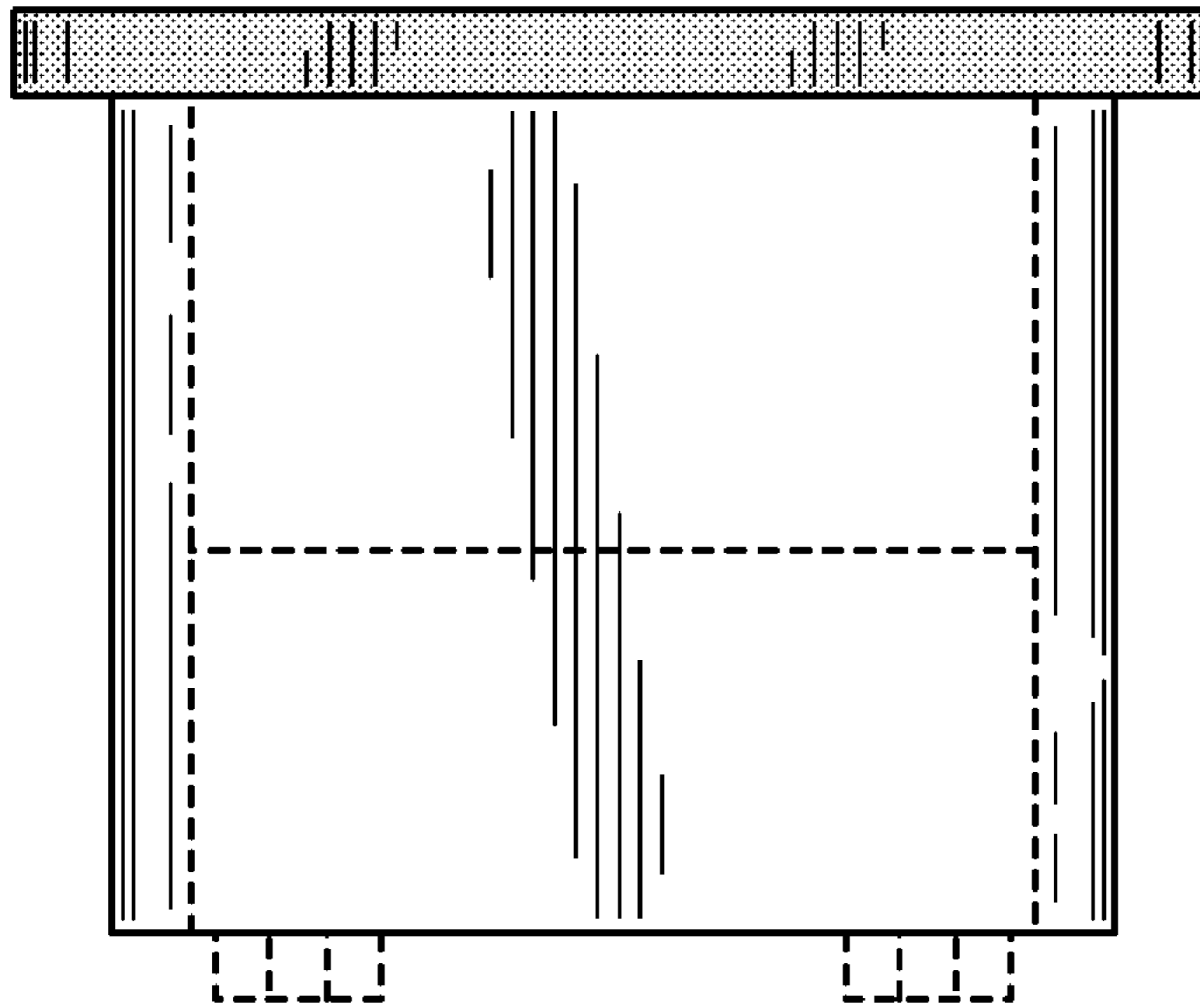


FIG. 34

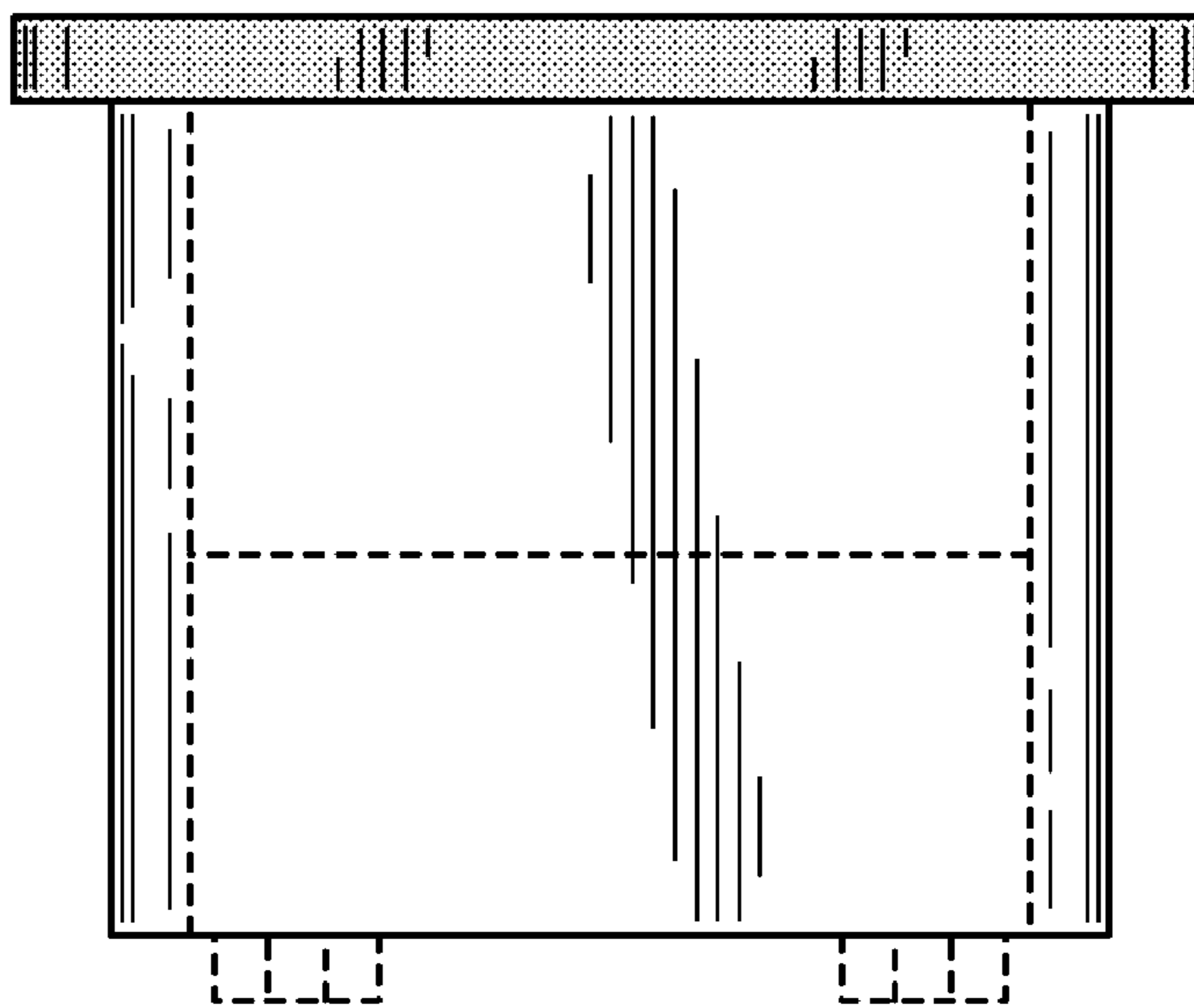


FIG. 35

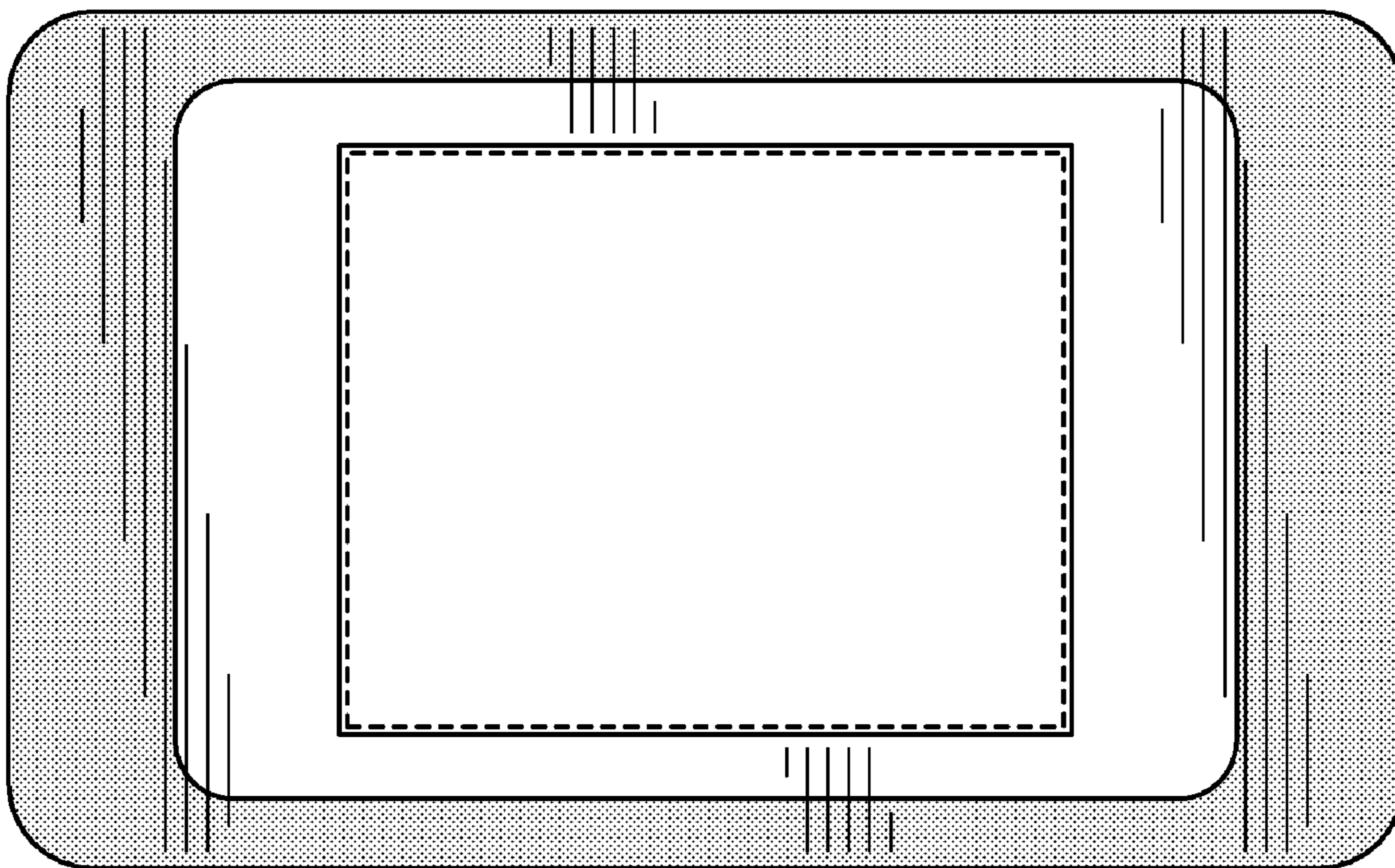


FIG. 36