



US00D571800S

(12) **United States Design Patent**  
**Tamaki et al.**

(10) **Patent No.:** **US D571,800 S**  
(45) **Date of Patent:** **\*\* Jun. 24, 2008**

(54) **MOBILE COMMUNICATION DEVICE**

(75) Inventors: **Hidetoshi Tamaki**, Nara (JP); **Matias Duarte**, Los Angeles, CA (US)

(73) Assignee: **Sharp Kabushiki Kaisha**, Osaka (JP)

(\*\*) Term: **14 Years**

(21) Appl. No.: **29/269,488**

(22) Filed: **Dec. 1, 2006**

(30) **Foreign Application Priority Data**

Jun. 5, 2006 (JP) ..... 2006-014398

(51) **LOC (8) Cl.** ..... **14-03**

(52) **U.S. Cl.** ..... **D14/345; D10/65**

(58) **Field of Classification Search** ..... D14/137,  
D14/138, 147, 148, 247, 248, 144, 496, 156,  
D14/341-347, 191-192; D16/208; D21/329,  
D21/331, 333; 379/433.01-433.13; 455/575.4,  
455/566, 575.1, 556.1, 556.2, 90.3, 41.2;  
D10/65; D18/208

See application file for complete search history.

(56) **References Cited**

**U.S. PATENT DOCUMENTS**

D360,621 S 7/1995 Schoening  
D444,466 S \* 7/2001 Nishida ..... D14/345  
D526,983 S \* 8/2006 Gong et al. .... D14/138  
D543,528 S \* 5/2007 Kim et al. .... D14/138  
7,292,882 B2 \* 11/2007 Lee et al. .... 455/575.4

**OTHER PUBLICATIONS**

CNet Reviews: T-Mobile Sidekick series, <http://reviews.cnet.com/cell-phones/t-mobile-sidekick-ii/4652-6454.html?tag=series>. (Items 6-10). 7-30981614.

\* cited by examiner

*Primary Examiner*—Antoine D Davis

(74) *Attorney, Agent, or Firm*—Nixon & Vanderhye, PC

(57) **CLAIM**

The ornamental design for a “mobile communication device,” shown and described.

**DESCRIPTION**

FIG. 1 is a right top front perspective view of a mobile communications device with a hinged cover in the closed position;

FIG. 2 is a front elevation view thereof;

FIG. 3 is a rear elevation view thereof;

FIG. 4 is a top plan view thereof;

FIG. 5 is a bottom plan view thereof;

FIG. 6 is a right side elevation view thereof;

FIG. 7 is a left side elevation view thereof;

FIG. 8 is a right top front perspective view with a cover shown in the open position;

FIG. 9 is a front elevation view thereof;

FIG. 10 is a rear elevation view thereof;

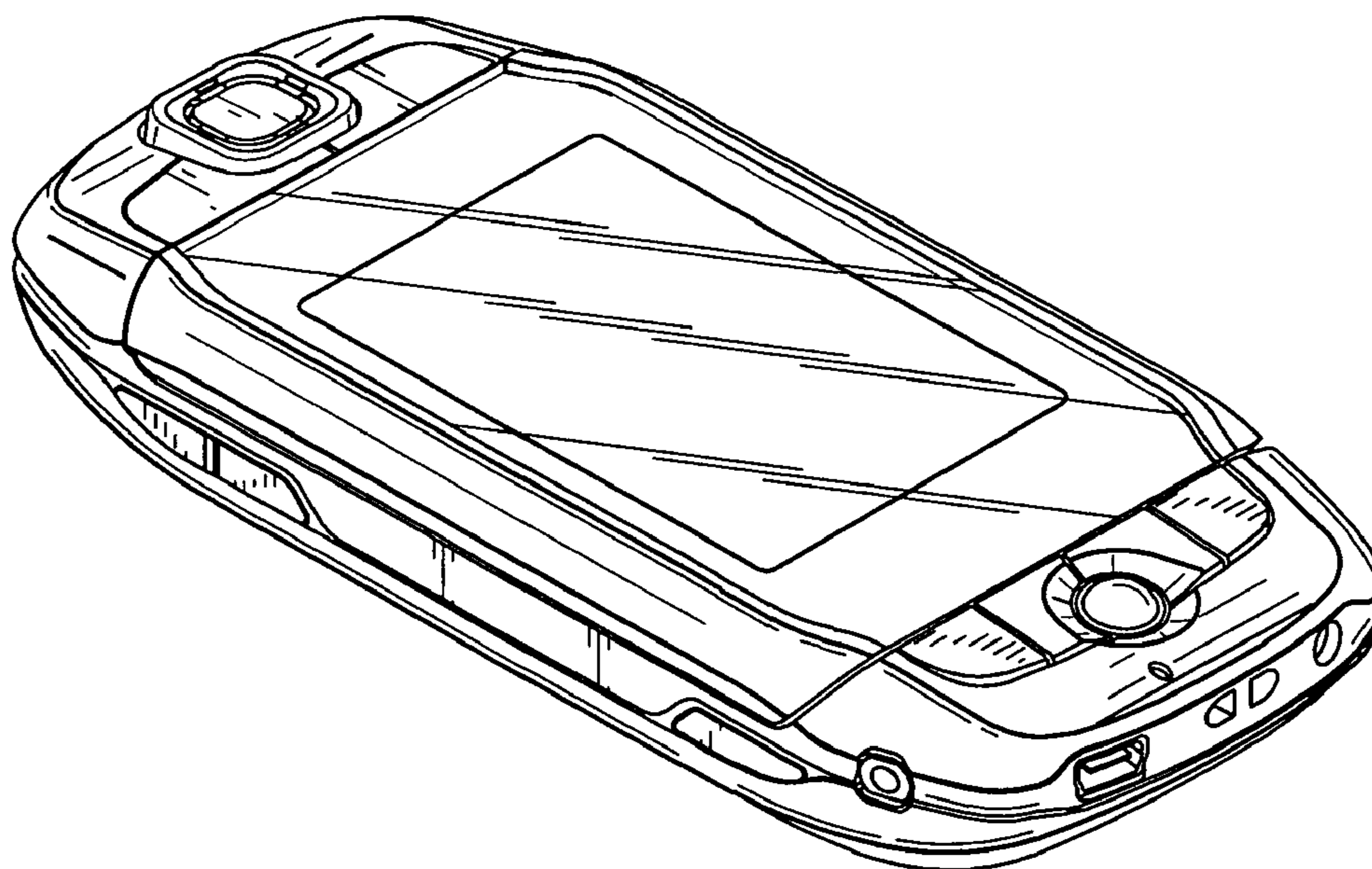
FIG. 11 is a top plan view thereof;

FIG. 12 is a bottom plan view thereof;

FIG. 13 is a right side elevation view thereof; and,

FIG. 14 is a left side elevation view thereof.

**1 Claim, 5 Drawing Sheets**



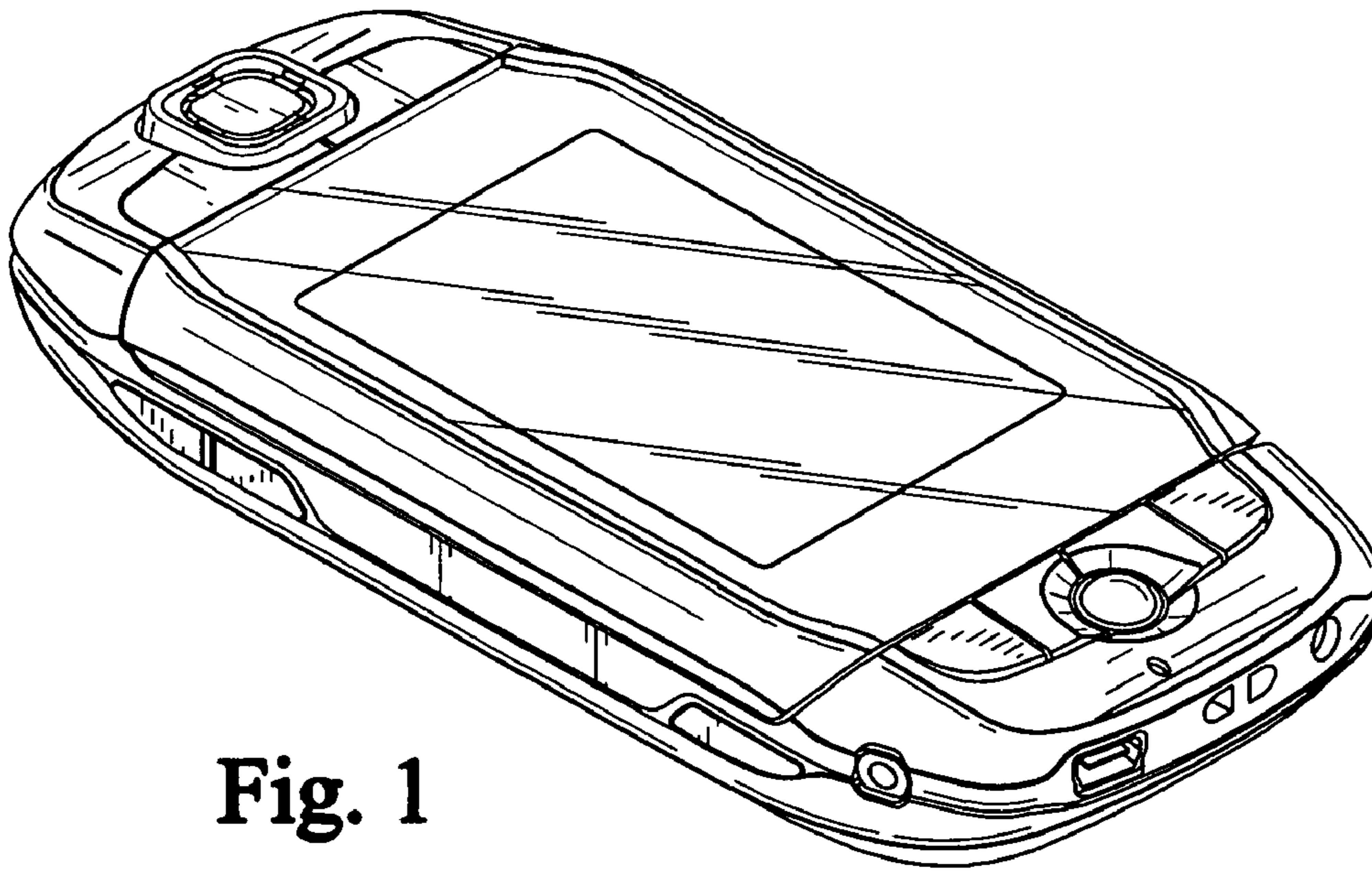


Fig. 1

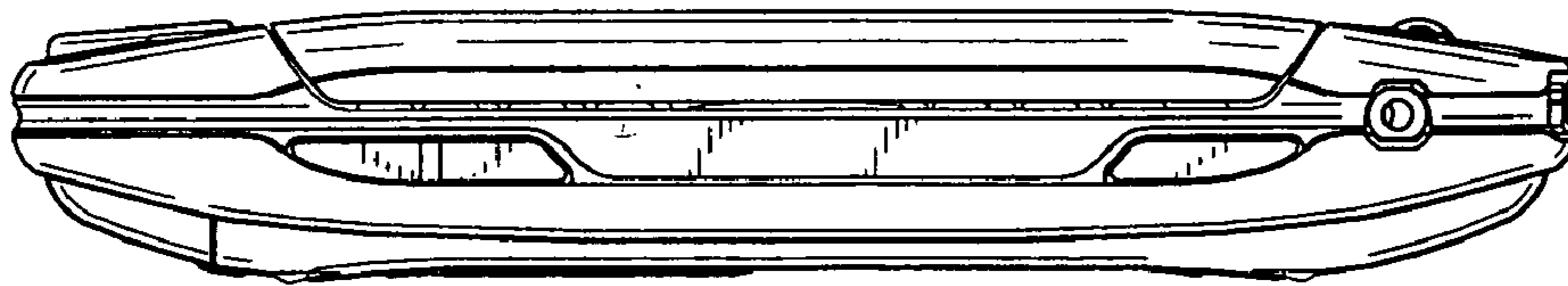


Fig. 2

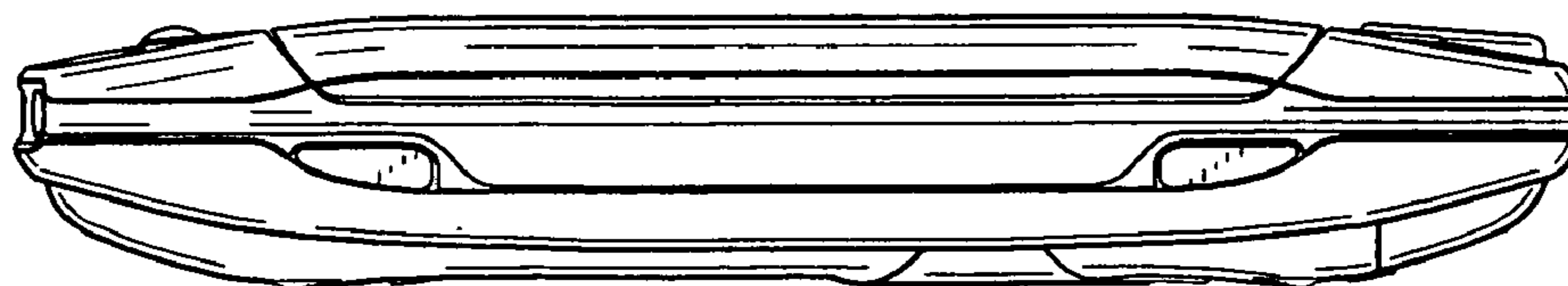
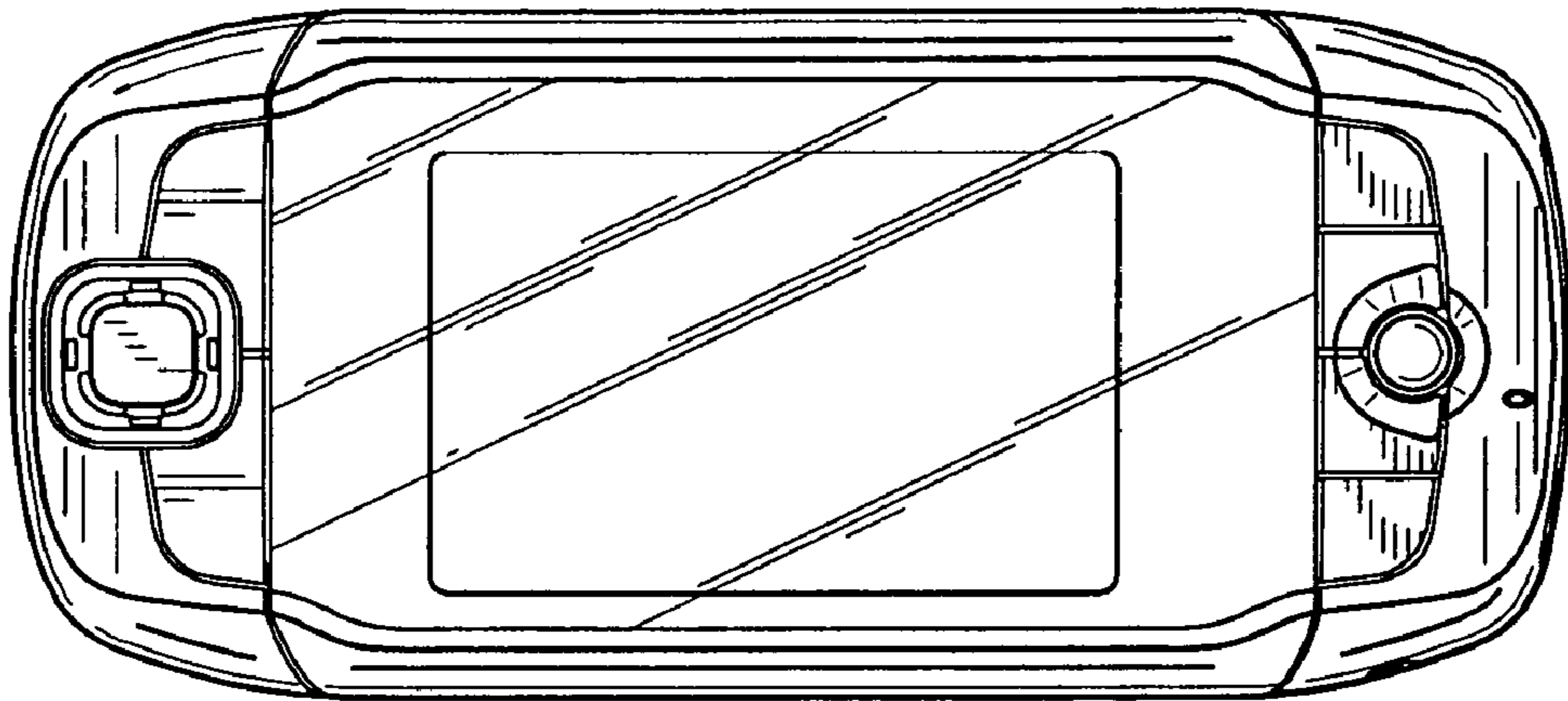
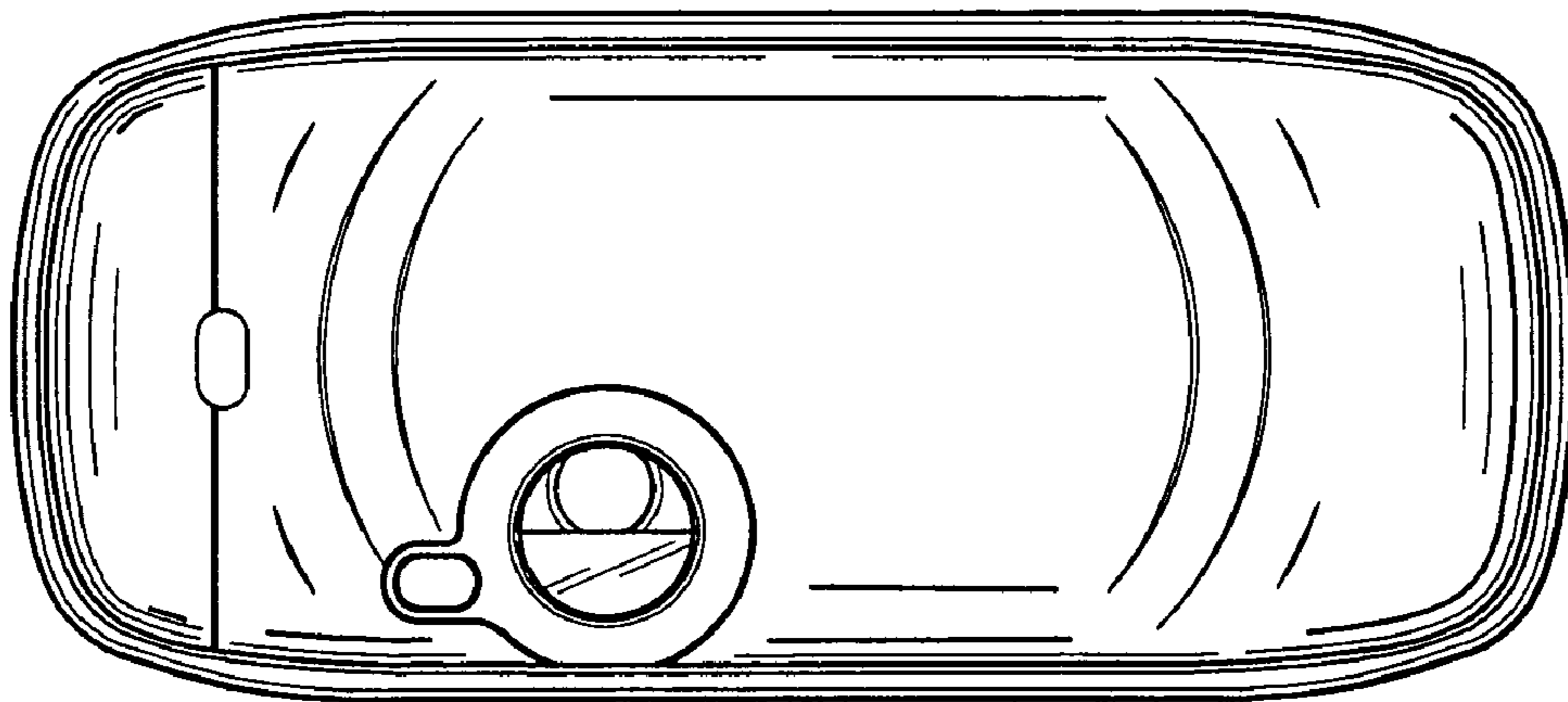


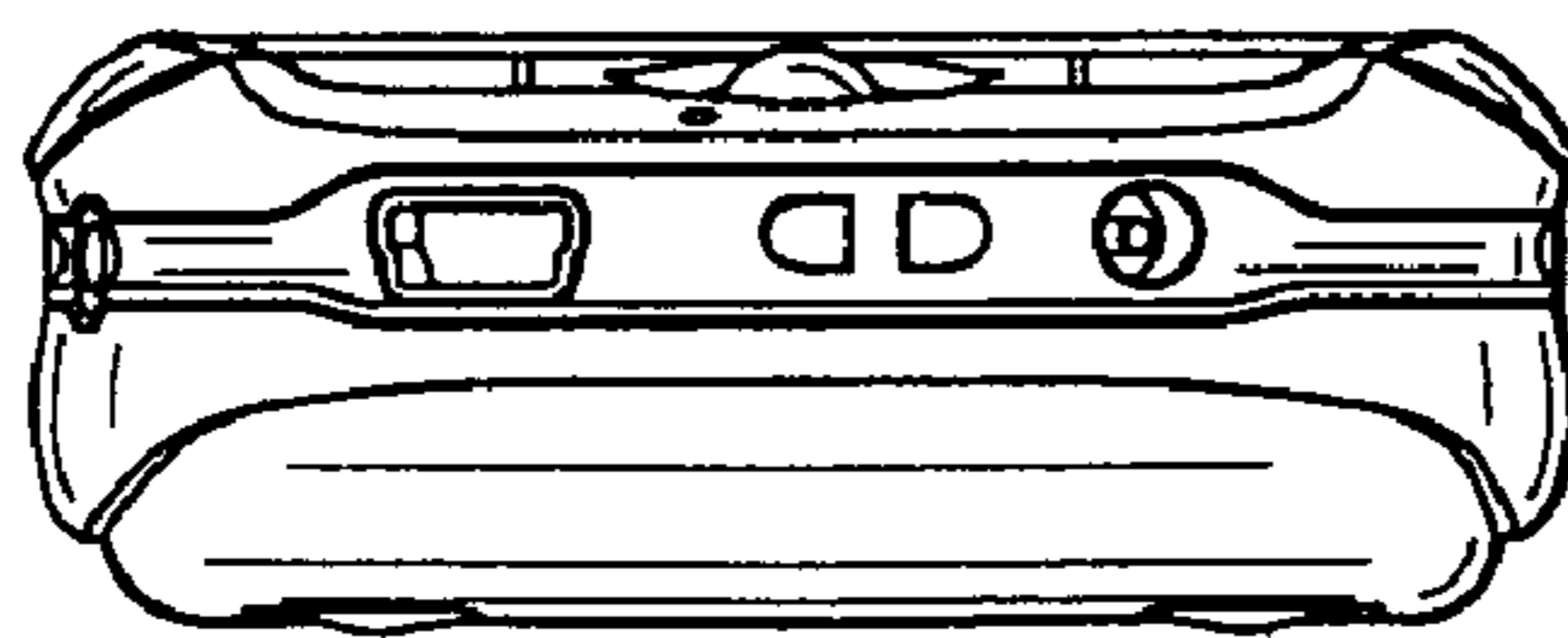
Fig. 3



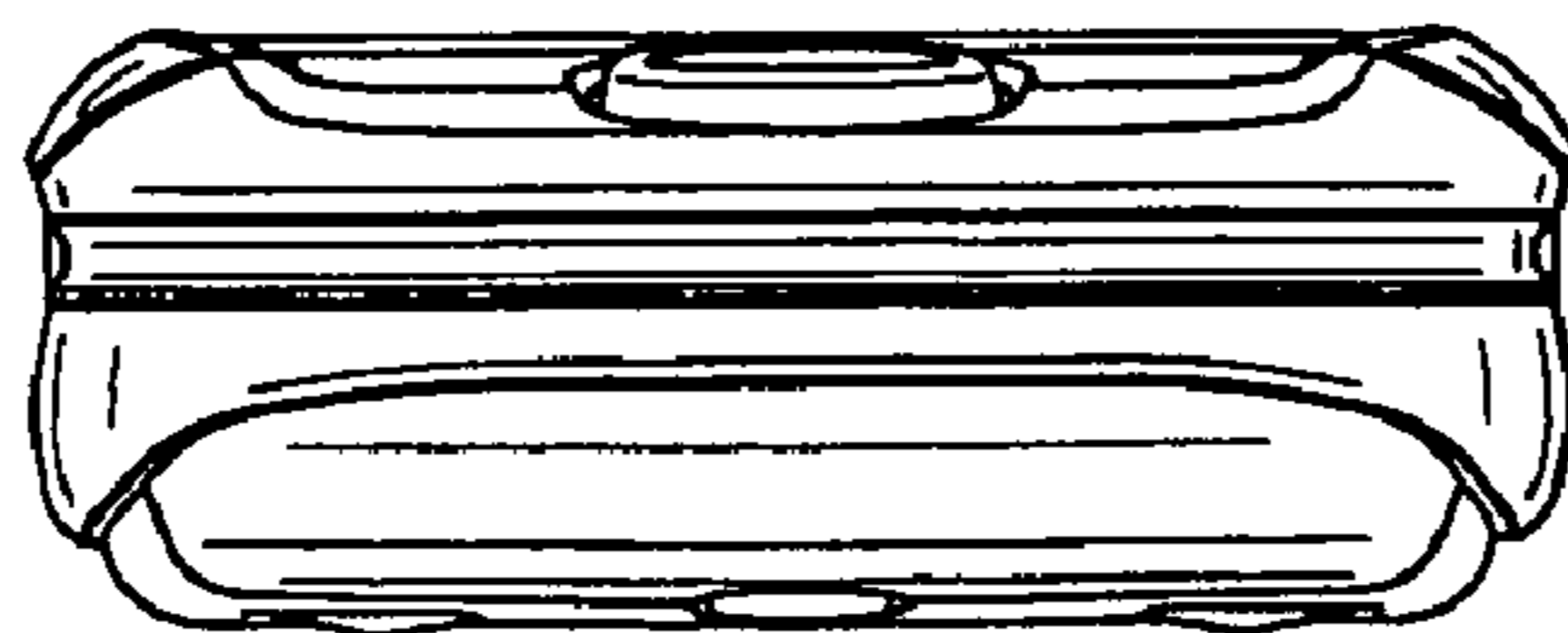
**Fig. 4**



**Fig. 5**



**Fig. 6**



**Fig. 7**



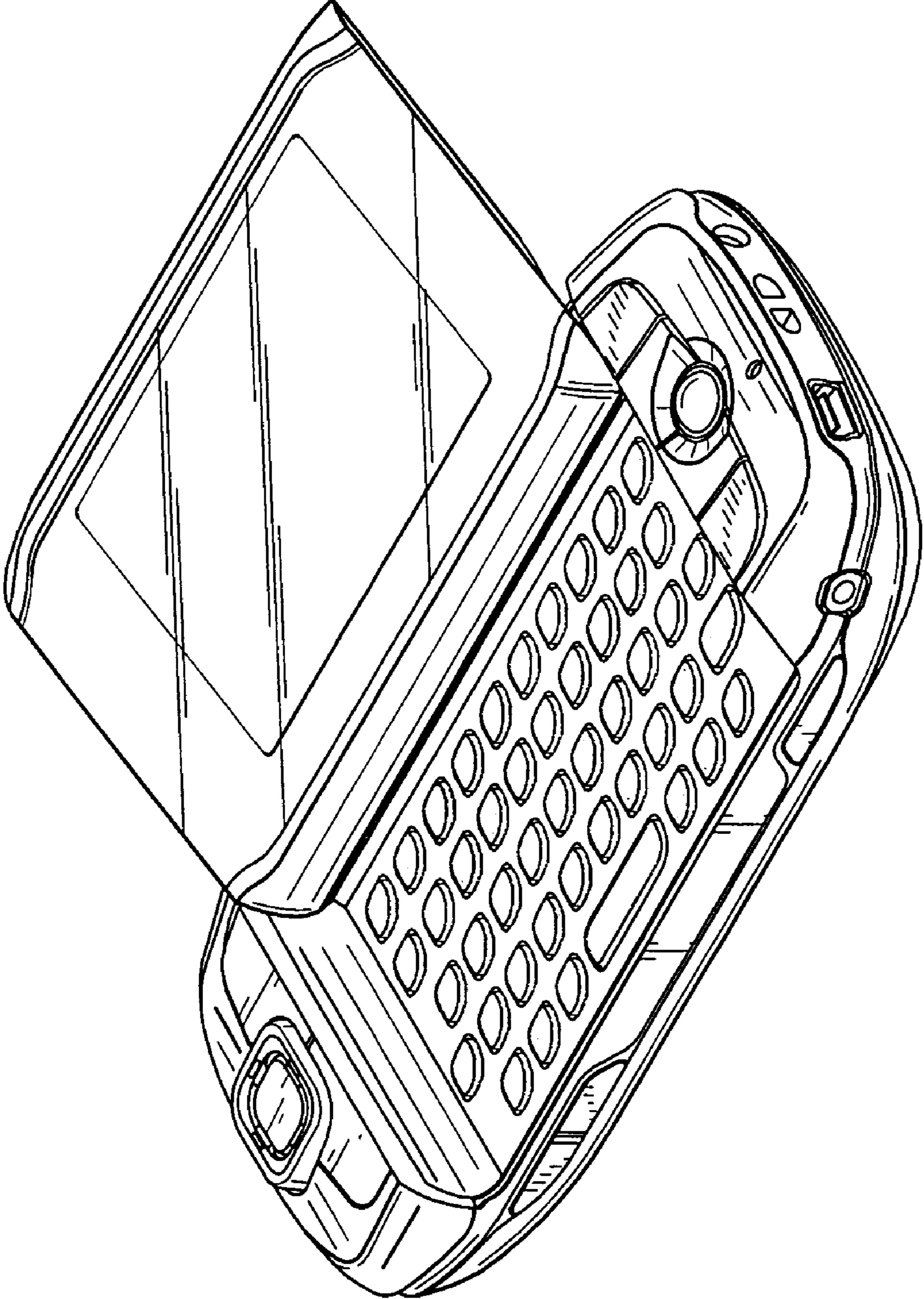
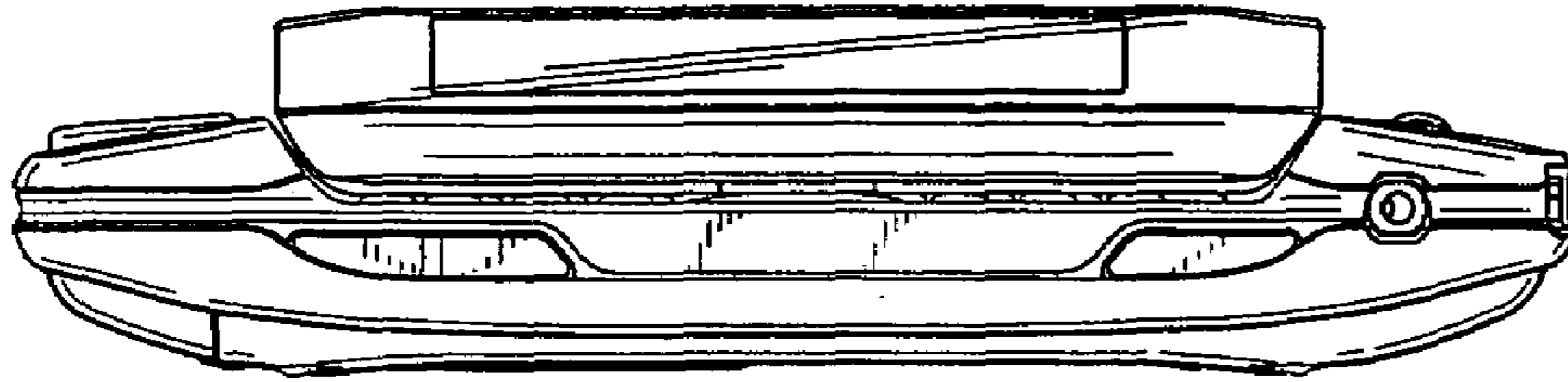
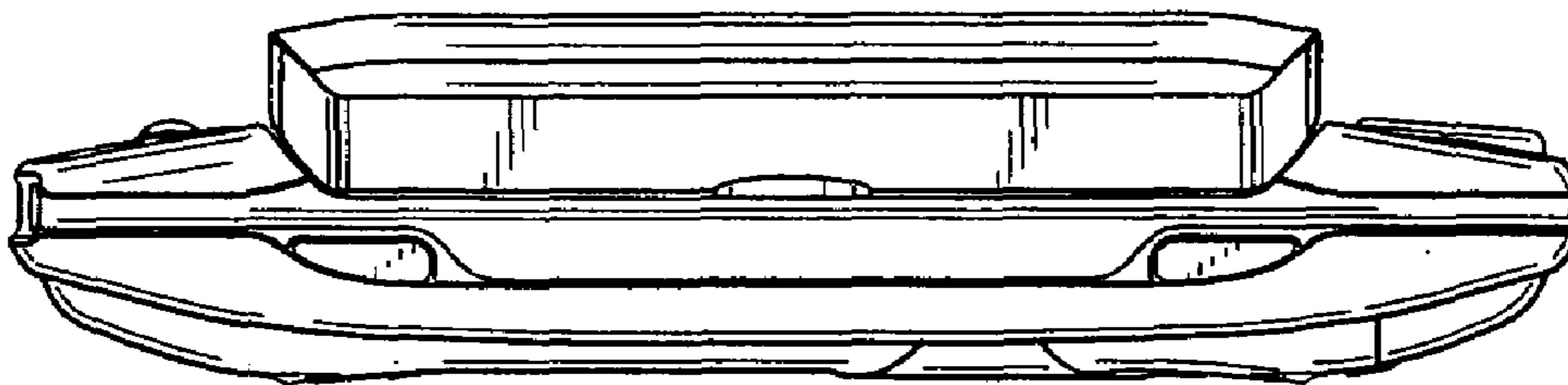


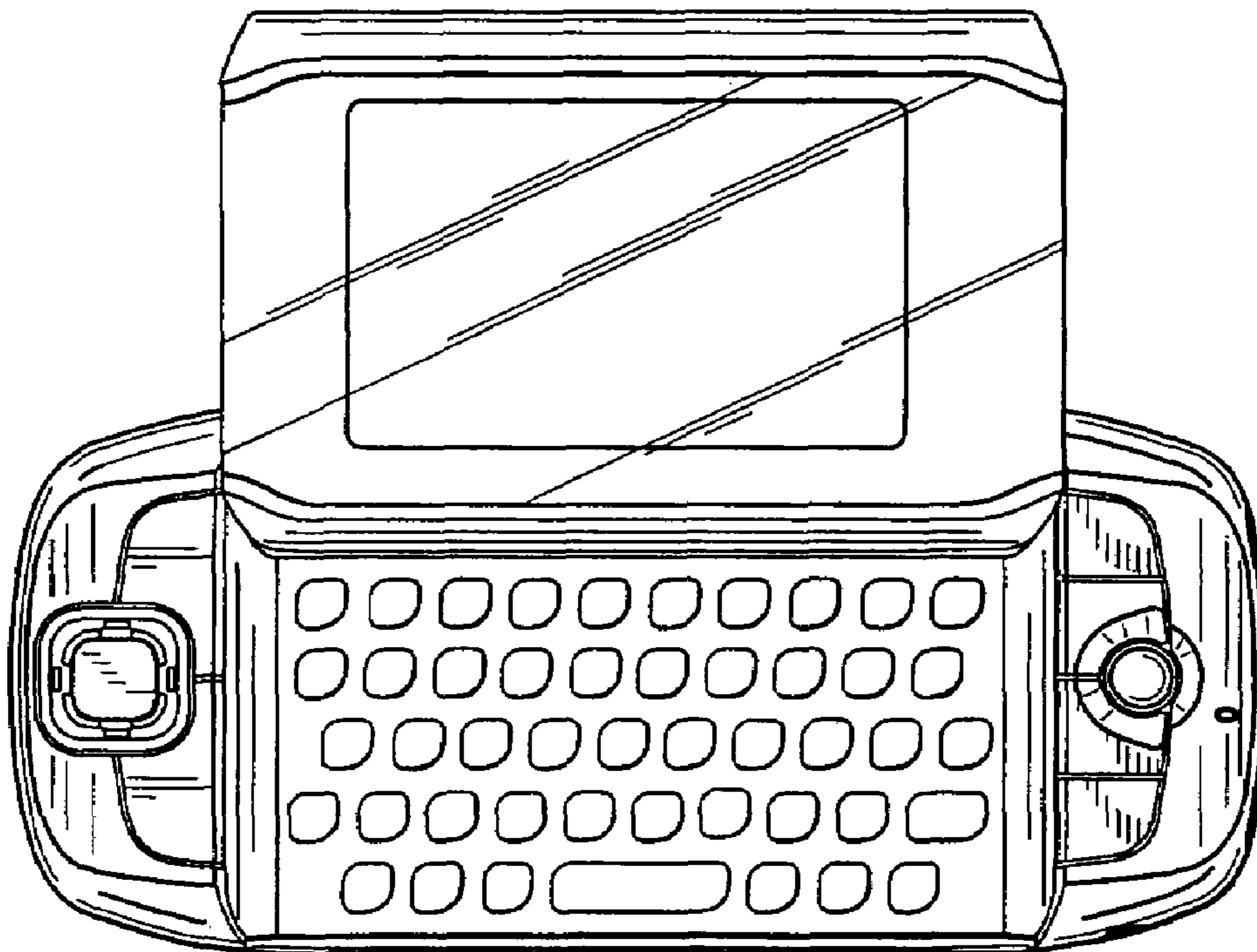
Fig. 8



**Fig. 9**



**Fig. 10**



**Fig. 11**

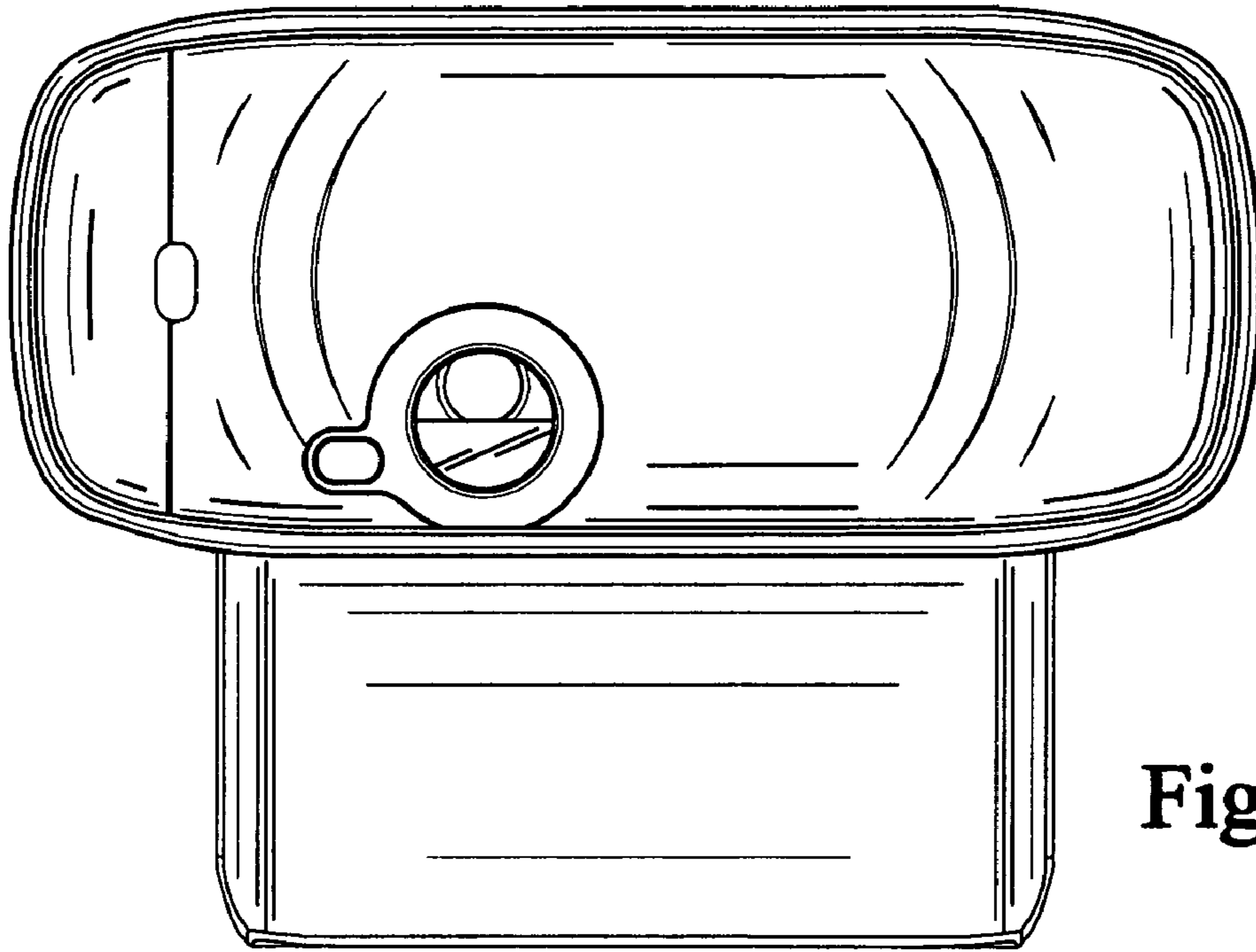


Fig. 12

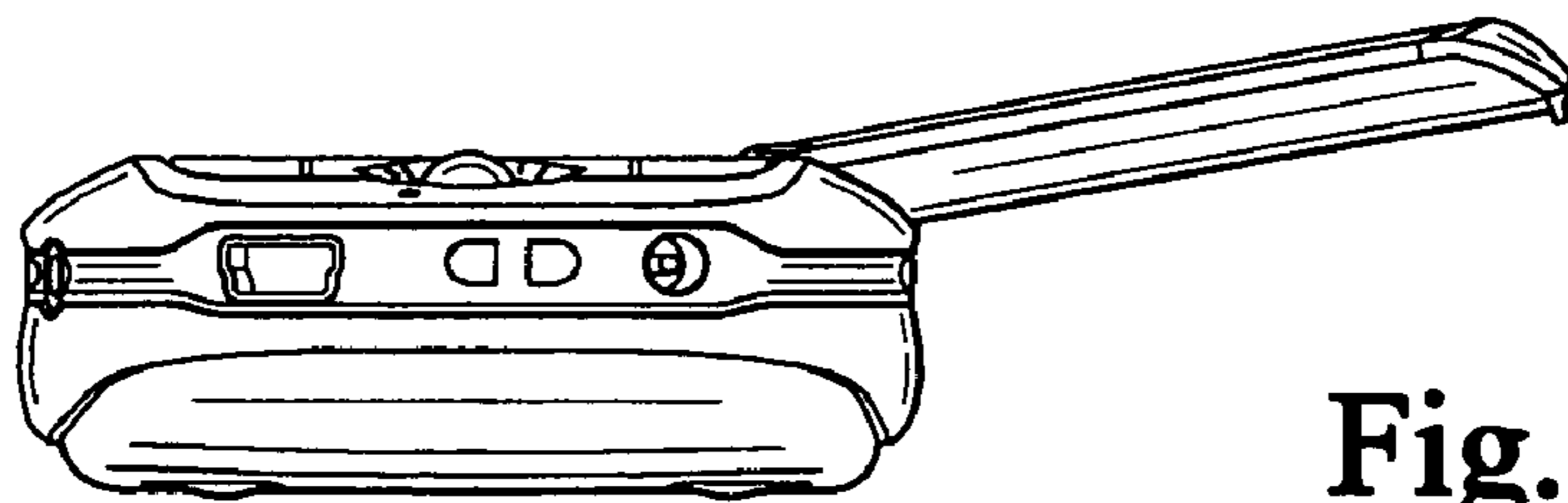


Fig. 13

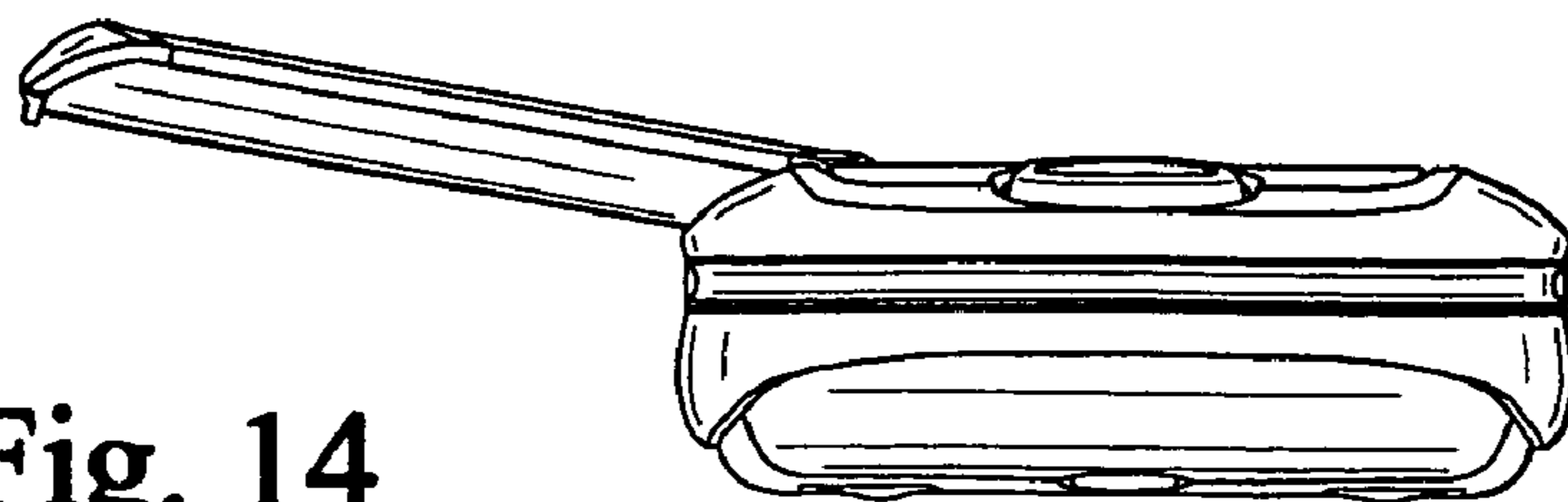


Fig. 14