



US00D571799S

(12) **United States Design Patent**
Ogasawara

(10) **Patent No.:** **US D571,799 S**
(45) **Date of Patent:** **** Jun. 24, 2008**

(54) **COMPUTER**

(75) Inventor: **Shinichi Ogasawara**, Tokyo (JP)

(73) Assignee: **Sony Corporation**, Tokyo (JP)

(**) Term: **14 Years**

(21) Appl. No.: **29/268,563**

(22) Filed: **Nov. 9, 2006**

(30) **Foreign Application Priority Data**

May 12, 2006 (JP) D2006-012040

(51) **LOC (8) Cl.** **14-02**

(52) **U.S. Cl.** **D14/341**

(58) **Field of Classification Search** D14/341,
D14/342, 343, 344, 345, 346, 347, 452, 374,
D14/426, 496, 137, 138, 247, 248, 455, 456,
D14/420, 427, 432, 439, 440, 441, 448, 125,
D14/129, 130, 250, 389, 147, 218, 156, 126;
D21/517, 329, 331, 686; D18/7, 6; D10/65,
D10/104; 345/169, 173; 379/433.04, 433.06,
379/433.07, 433.11, 433.12, 433.13; 348/14.02;
455/556.1, 556.2, 566, 575.1, 575.4, 90.3,
455/575.3; 349/12; D13/168; D6/596, 601,
D6/605; 361/814; 341/22

See application file for complete search history.

(56) **References Cited**

U.S. PATENT DOCUMENTS

D462,956 S 9/2002 Ogasawara
6,483,445 B1 * 11/2002 England 341/22
D484,503 S * 12/2003 Duarte et al. D14/346
D489,731 S * 5/2004 Huang D14/496
D492,323 S * 6/2004 Wang D14/496
D506,753 S * 6/2005 Duarte et al. D14/346
D508,692 S 8/2005 Morisawa
D508,693 S 8/2005 Morisawa
D508,913 S 8/2005 Morisawa

D512,998 S 12/2005 Sogabe
7,016,182 B2 * 3/2006 Brandenburg et al. 361/683
D524,809 S * 7/2006 Alcouloumre et al. D14/341
D531,070 S * 10/2006 Chun et al. D10/65
D543,193 S * 5/2007 Chung et al. D14/138
D551,664 S * 9/2007 Lin et al. D14/341
7,292,882 B2 * 11/2007 Lee et al. 455/575.4
D558,706 S * 1/2008 Salmi D14/138
2007/0105606 A1 * 5/2007 Yoon et al. 455/575.4

OTHER PUBLICATIONS

Web page "AVARATEC" <http://www.generationmp3.com/index.php/2006/04/12/2907-avatec-ahi-alternative-a-lumpc>, 1 sheet, Generatonmp3 (Oct. 2006).

Web page "OQO" <http://www.oqo.com/hardware/features/>, 1 sheet, OQO (Apr. 2006).

Web page "W-ZERO3" <http://www.willcom-inc.com/ja/lineup/ws/003sh/index.html>, 3 sheets, Willcom (Apr. 2006).

* cited by examiner

Primary Examiner—Cathron Brooks

Assistant Examiner—Angela J Lee

(74) *Attorney, Agent, or Firm*—Rader, Fishman & Grauer, PLLC

(57) **CLAIM**

The ornamental design for a computer, as shown.

DESCRIPTION

FIG. 1 is a perspective view of a computer showing my new design;

FIG. 2 is a front elevational view thereof;

FIG. 3 is a rear elevational view thereof;

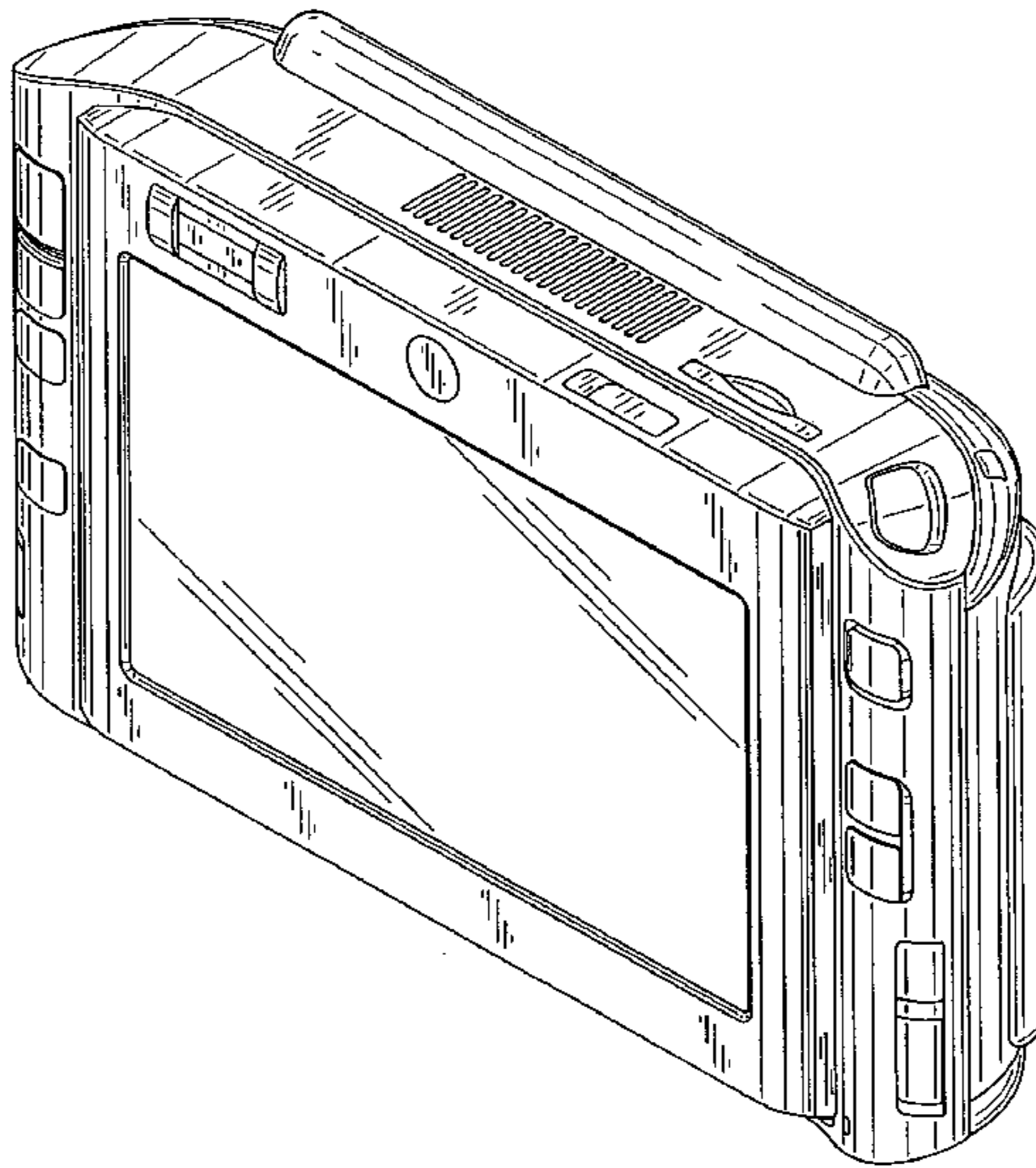
FIG. 4 is a left side elevational view thereof;

FIG. 5 is a right side elevational view thereof;

FIG. 6 is a top plan view thereof; and,

FIG. 7 is a bottom plan view thereof.

1 Claim, 7 Drawing Sheets



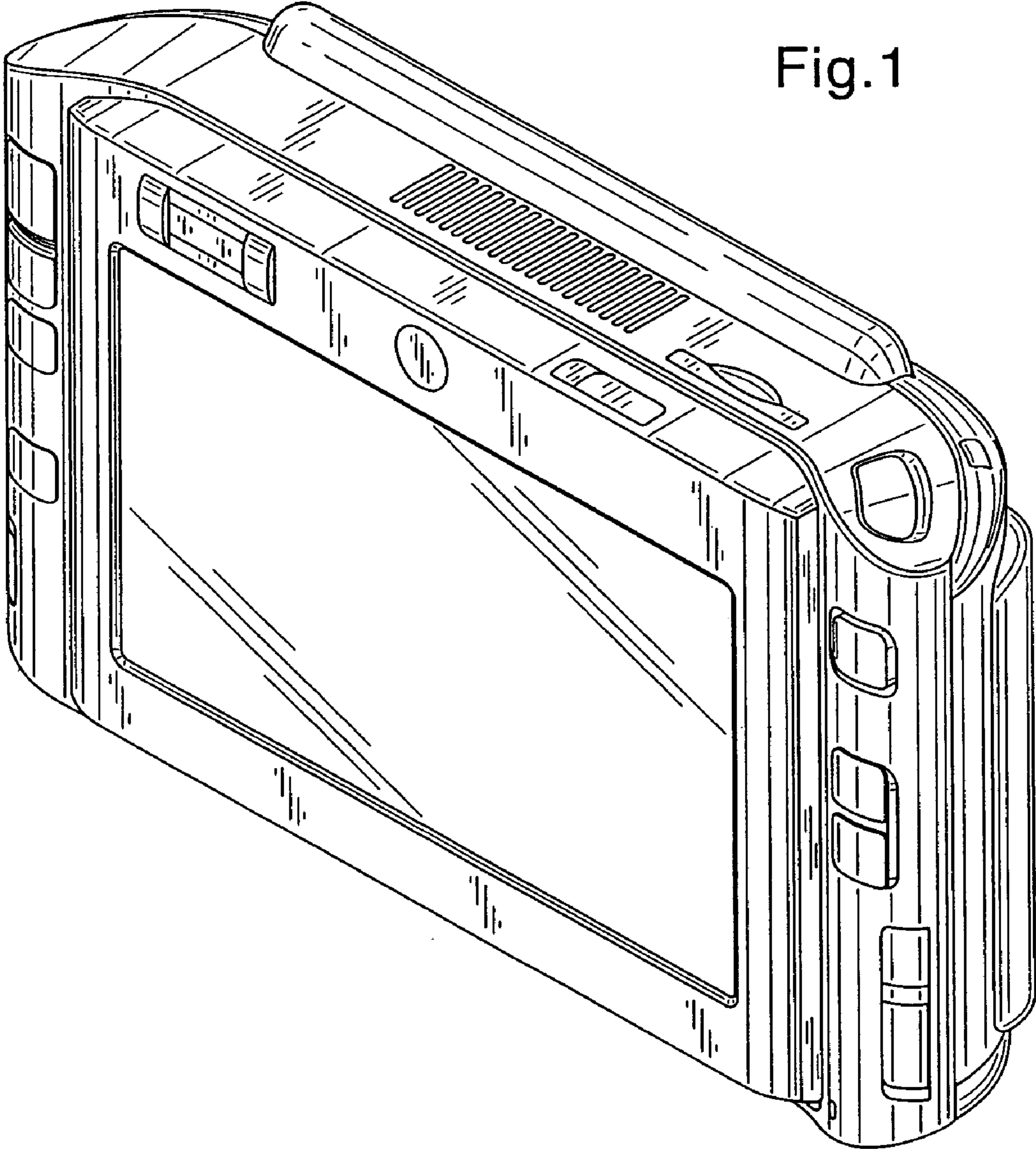


Fig. 1

Fig.2

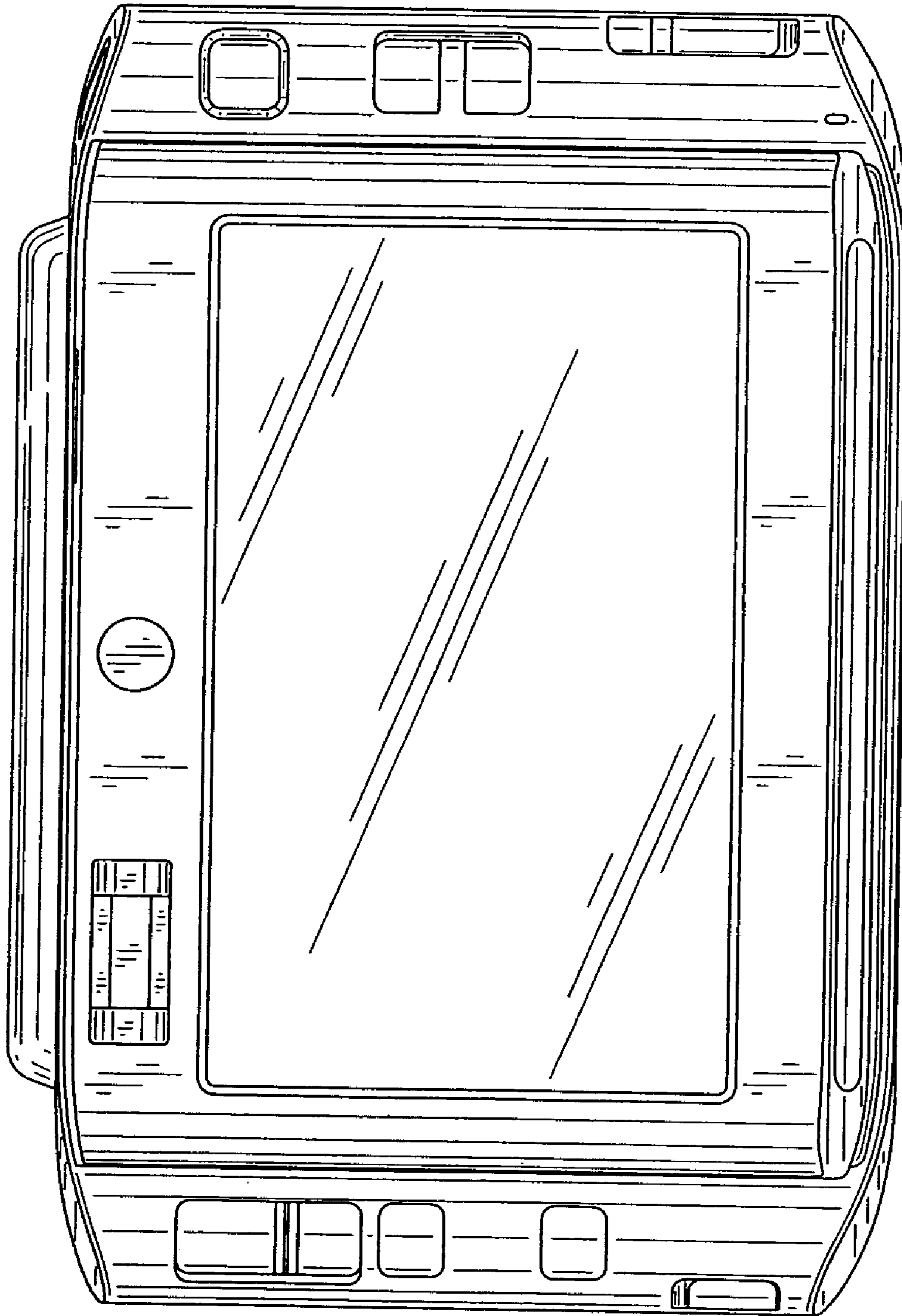


Fig. 3

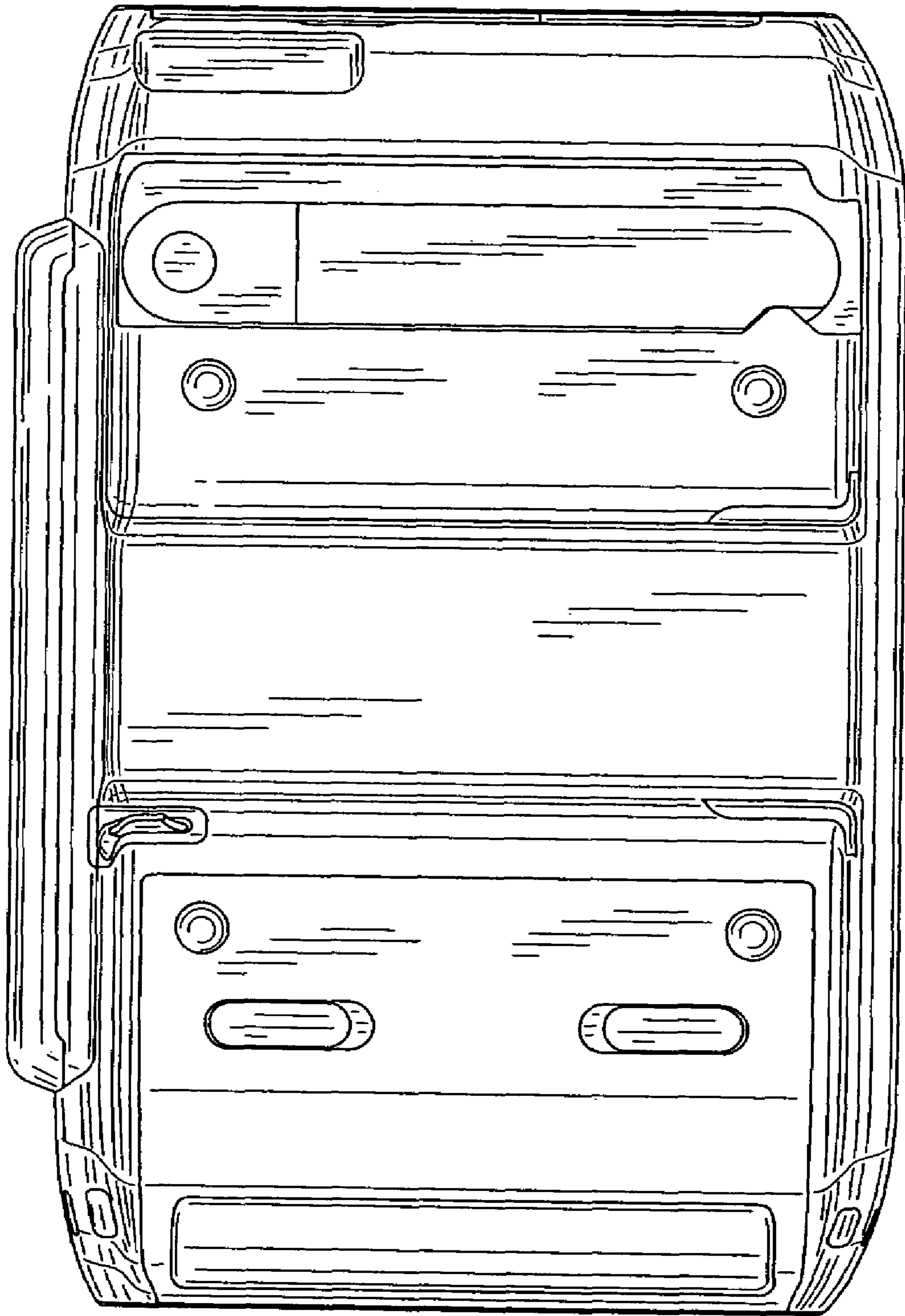


Fig.4

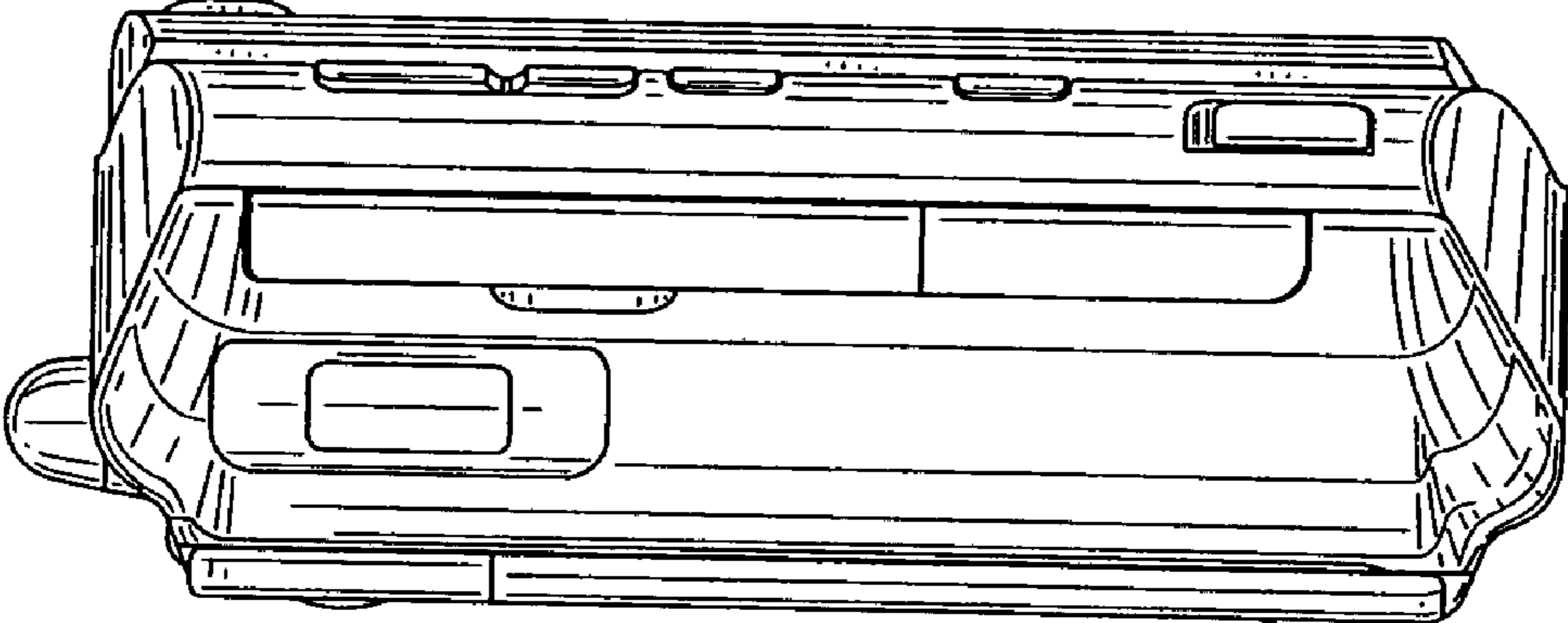


Fig. 5

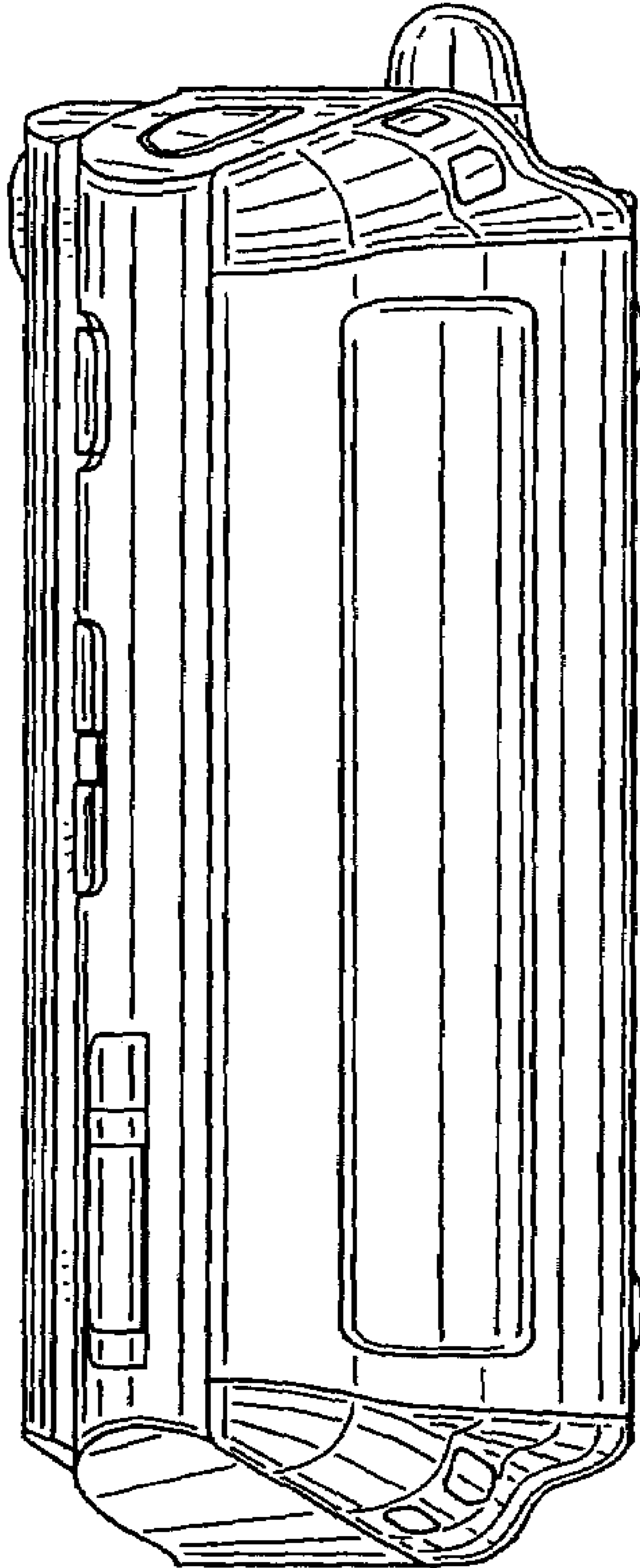


Fig.6

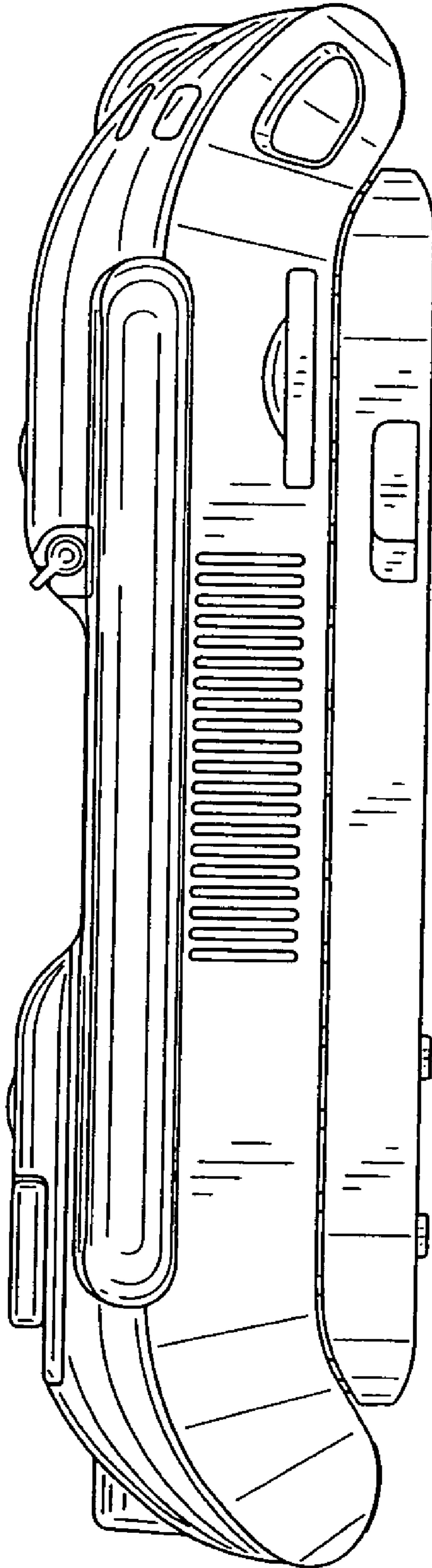


Fig. 7

