



US00D571798S

(12) **United States Design Patent**
Ogasawara

(10) **Patent No.:** **US D571,798 S**
(45) **Date of Patent:** **** Jun. 24, 2008**

(54) **COMPUTER**

(75) Inventor: **Shinichi Ogasawara**, Tokyo (JP)

(73) Assignee: **Sony Corporation**, Tokyo (JP)

(**) Term: **14 Years**

(21) Appl. No.: **29/268,562**

(22) Filed: **Nov. 9, 2006**

(30) **Foreign Application Priority Data**

May 12, 2006 (JP) D2006-012035

(51) **LOC (8) Cl.** **14-02**

(52) **U.S. Cl.** **D14/341**

(58) **Field of Classification Search** D14/341,
D14/342, 343, 344, 345, 346, 347, 452, 374,
D14/426, 496, 137, 138, 247, 248, 455, 456,
D14/420, 427, 432, 439, 440, 441, 448, 125,
D14/129, 130, 250, 389, 147, 218, 156, 126;
D21/517, 329, 331, 686; D18/7, 6; D10/65,
D10/104; 345/169, 173; 379/433.04, 433.06,
379/433.07, 433.11, 433.12, 433.13; 348/14.02;
455/556.1, 556.2, 566, 575.1, 575.4, 90.3,
455/575.3; 349/12; D13/168; D6/596, 601,
D6/605; 361/814; 341/22

See application file for complete search history.

(56) **References Cited**

U.S. PATENT DOCUMENTS

D408,794 S 4/1999 Ogasawara
D428,448 S * 7/2000 Kitamori D21/329
D452,280 S * 12/2001 Ota et al. D21/329
D453,536 S * 2/2002 Ota et al. D21/329
D461,175 S 8/2002 Yokota
D489,731 S * 5/2004 Huang D14/496

D492,323 S * 6/2004 Wang D14/496
D499,423 S * 12/2004 Bahroocha et al. D14/496
D504,890 S * 5/2005 Sung et al. D14/346
D507,003 S * 7/2005 Pai et al. D14/496
D531,070 S * 10/2006 Chun et al. D10/65
D548,734 S * 8/2007 Huttunen et al. D14/341
D551,664 S * 9/2007 Lin et al. D14/341
D557,151 S * 12/2007 Clift D10/65
D558,706 S * 1/2008 Salmi D14/138

* cited by examiner

Primary Examiner—Cathron Brooks

Assistant Examiner—Angela J Lee

(74) *Attorney, Agent, or Firm*—Rader, Fishman & Grauer, PLLC

(57) **CLAIM**

The ornamental design for a computer, as shown and described.

DESCRIPTION

FIG. 1 is a perspective view of a computer showing my new design;

FIG. 2 is a front elevational view thereof;

FIG. 3 is a rear elevational view thereof;

FIG. 4 is a left side elevational view thereof;

FIG. 5 is a right side elevational view thereof;

FIG. 6 is a top plan view thereof; and,

FIG. 7 is a bottom plan view thereof.

Portions of FIGS. 1–7 that are shown as broken lines are for illustrative purpose only and form no part of the claimed design.

The broken line showing of portions of the computer forms no part of the claimed design.

1 Claim, 7 Drawing Sheets

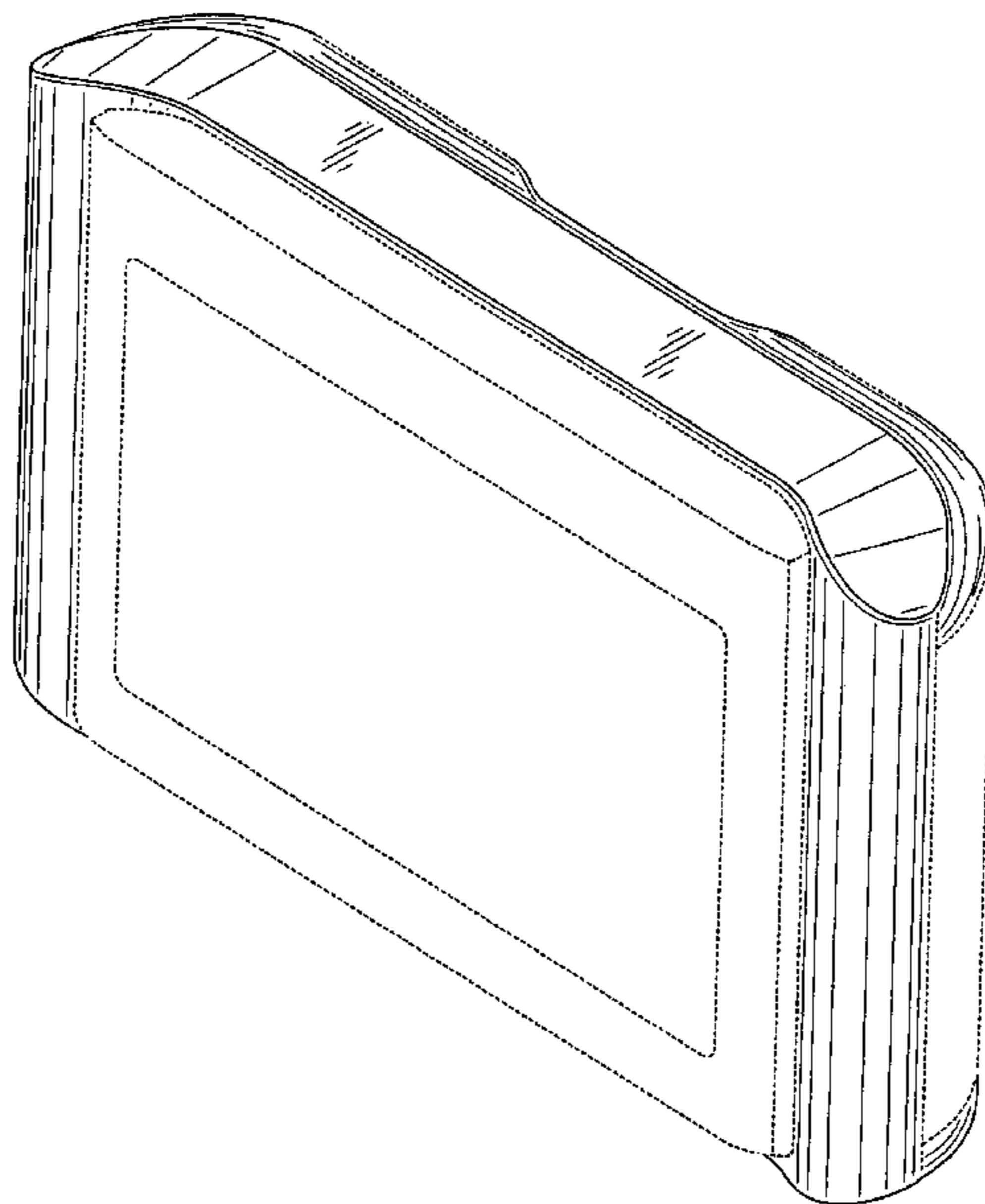


Fig. 1

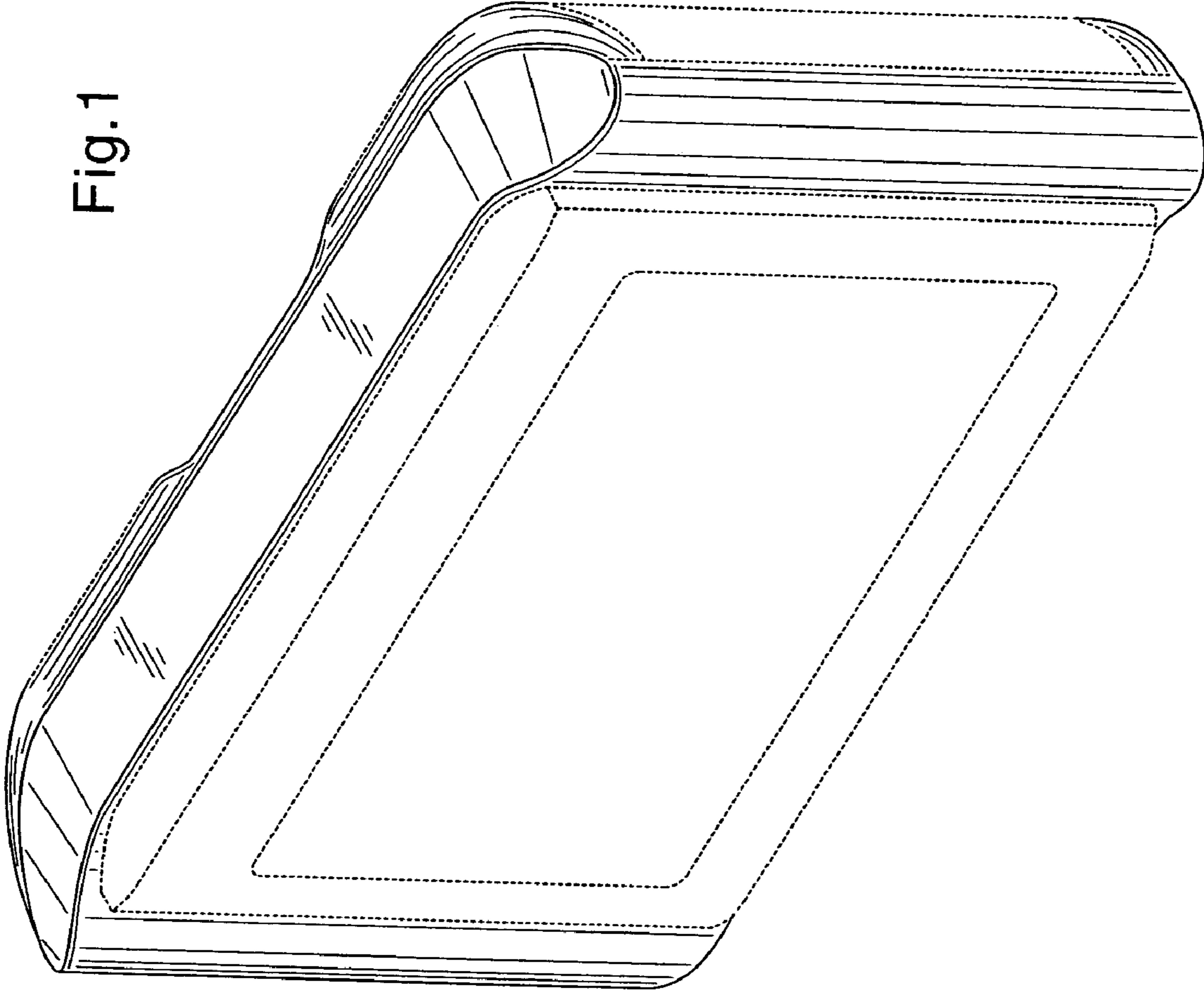


Fig.2

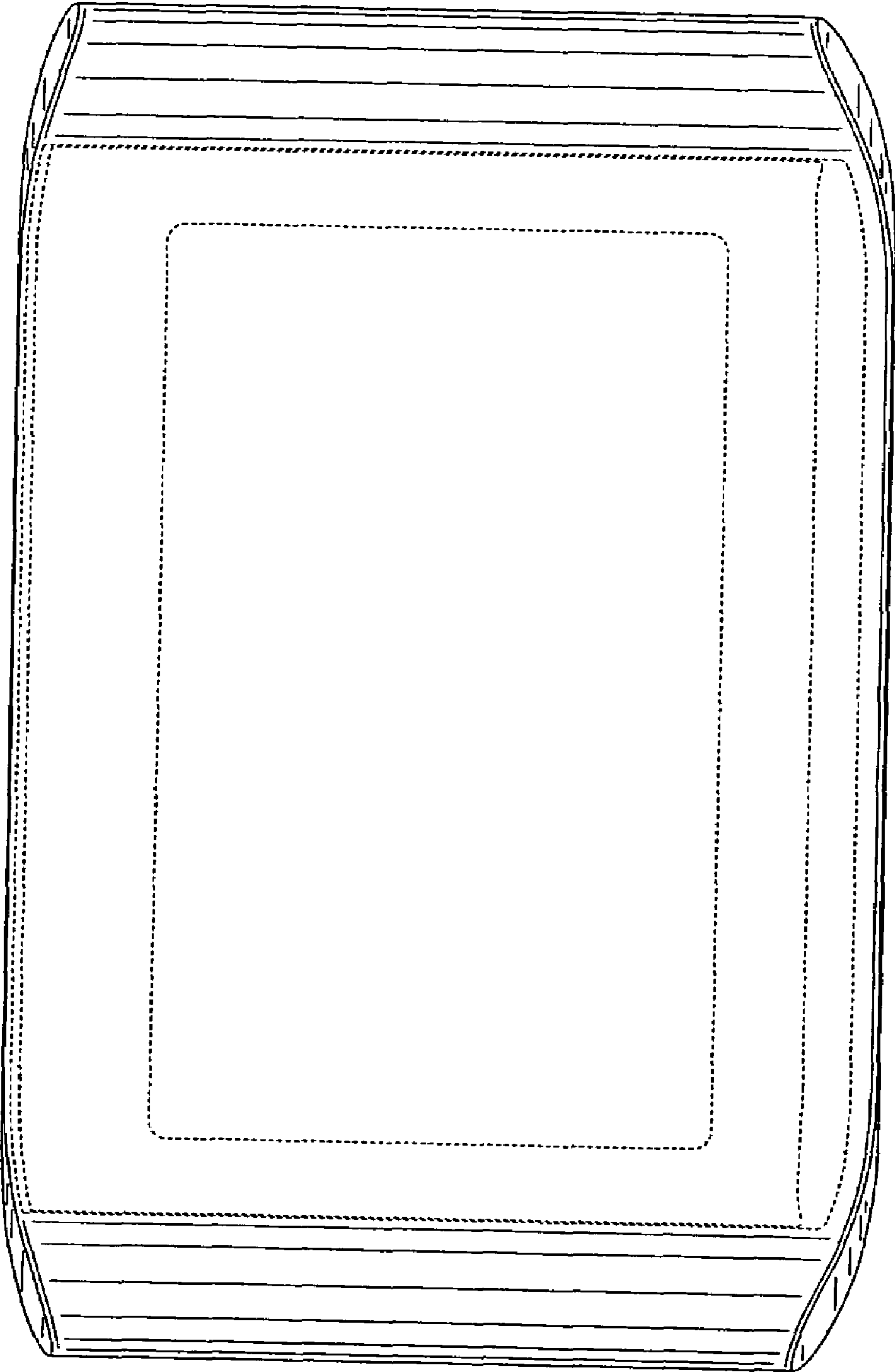


Fig.3

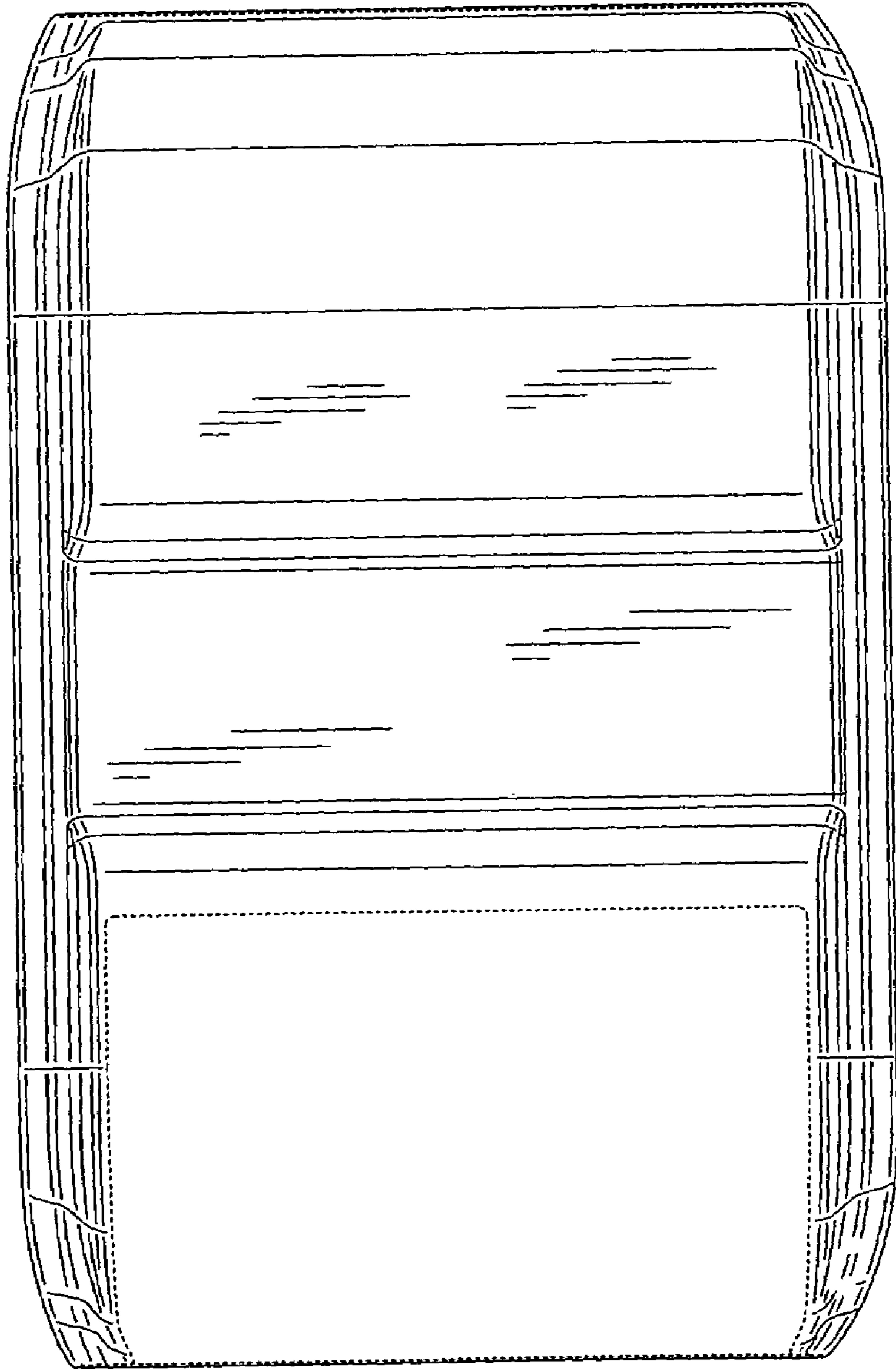


Fig.4

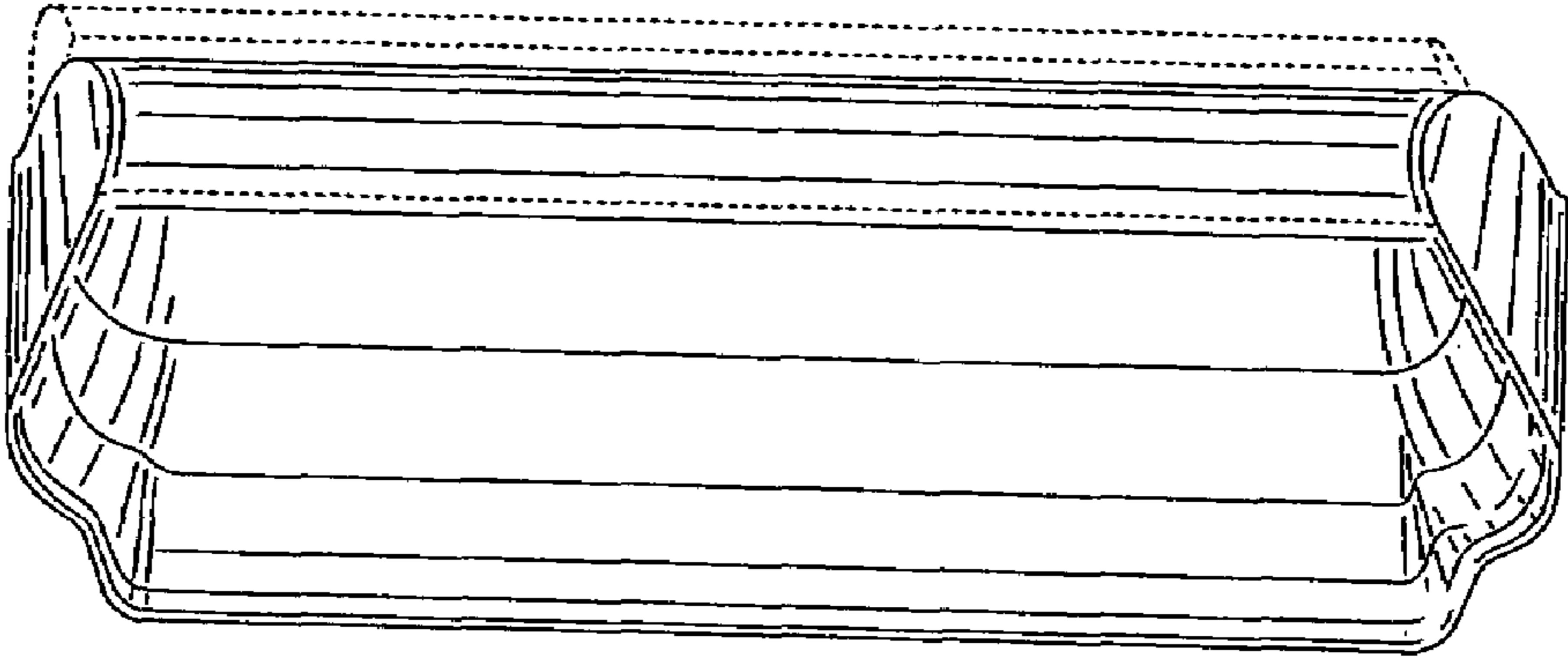


Fig. 5

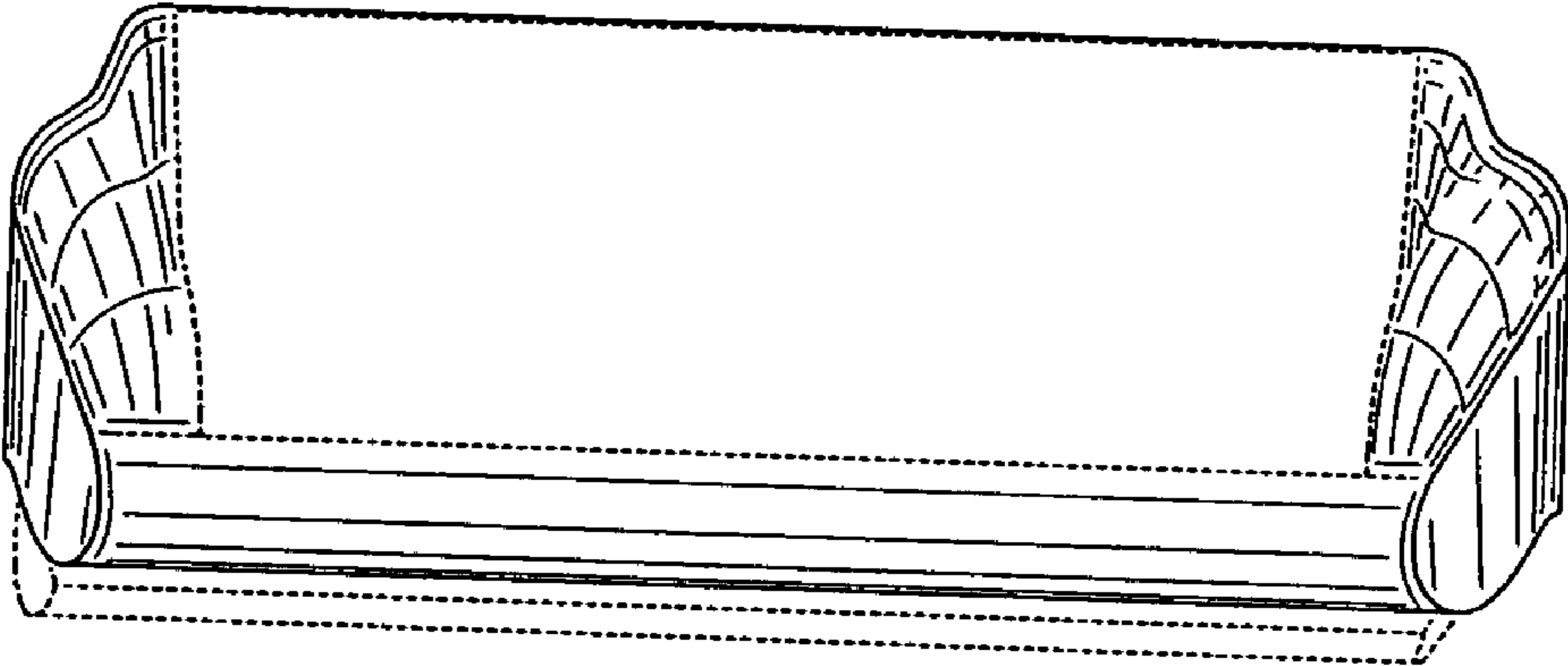


Fig.6

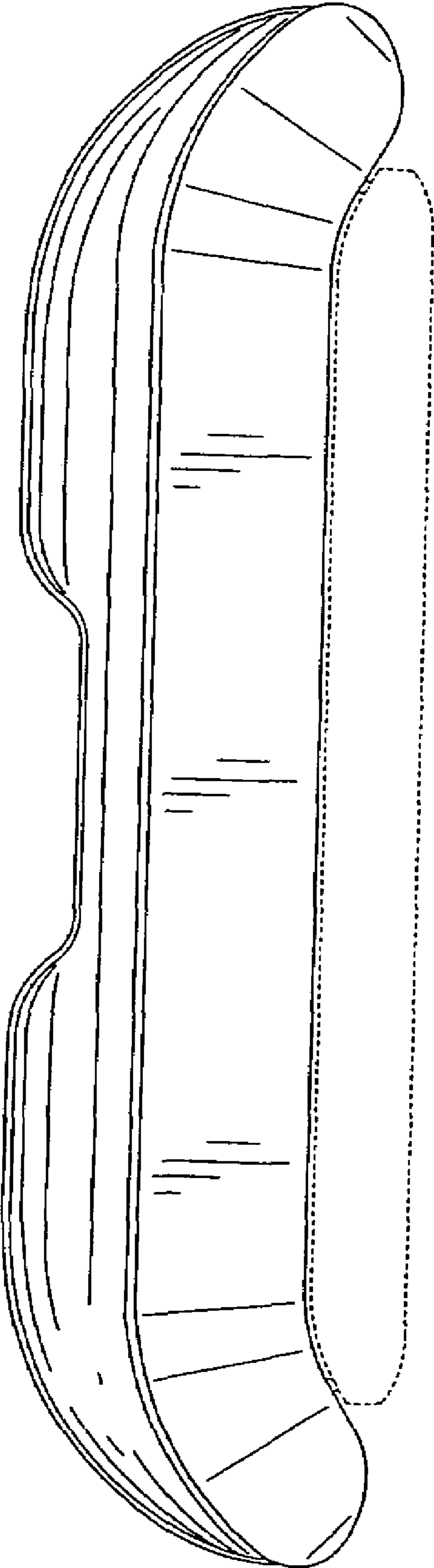


Fig. 7

