



US00D571796S

(12) **United States Design Patent**
Mamizuka et al.

(10) **Patent No.:** **US D571,796 S**
(45) **Date of Patent:** **** Jun. 24, 2008**

(54) **TELEPHONE LEG**

(75) Inventors: **Satoki Mamizuka**, Kawasaki (JP);
Naoki Kato, Tokyo (JP)

(73) Assignee: **NEC Infrontia Corporation**, Kanagawa (JP)

(**) Term: **14 Years**

(21) Appl. No.: **29/259,484**

(22) Filed: **May 9, 2006**

Related U.S. Application Data

(62) Division of application No. 29/252,017, filed on Jan. 18, 2006, now Pat. No. Des. 535,277.

(30) **Foreign Application Priority Data**

Jul. 22, 2005 (JP) 2005-021374
Jul. 22, 2005 (JP) 2005-021375
Jul. 22, 2005 (JP) 2005-021395

(51) **LOC (8) Cl.** **14-03**

(52) **U.S. Cl.** **D14/251**

(58) **Field of Classification Search** D14/125-126,
D14/137-138, 140, 142, 144, 147-151, 240,
D14/248, 251, 375-376, 447; 379/419, 434-436,
379/440, 447, 454-455; D10/26; 248/677
See application file for complete search history.

(56) **References Cited**

U.S. PATENT DOCUMENTS

D298,831 S * 12/1988 Hughes et al. D14/151
D319,054 S * 8/1991 Appleby D14/151
D319,641 S * 9/1991 Sugi et al. D14/151
D323,324 S * 1/1992 Suda D14/125
D413,119 S * 8/1999 Schnell et al. D14/151
D418,835 S * 1/2000 Corazon Climent D14/151
D427,985 S * 7/2000 Takayama et al. D14/151
D439,234 S * 3/2001 Narrillos Hortiguela ... D14/151
D444,712 S * 7/2001 Versace D10/26
D461,180 S * 8/2002 Van Egmond et al. D14/240
D470,141 S * 2/2003 Lin D14/376

D472,227 S * 3/2003 Takayama et al. D14/151
D481,038 S * 10/2003 Borsboom et al. D14/375
D482,035 S * 11/2003 Olson et al. D14/375
D484,131 S * 12/2003 Olson et al. D14/375
D490,394 S * 5/2004 Taniguchi et al. D14/151
D499,713 S * 12/2004 Shibata et al. D14/151

(Continued)

OTHER PUBLICATIONS

NEC NEC-80573 Corded Phone, <URL:www.dealtime.com>, retrieved from internet Dec. 6, 2007.*

Design of Telephone, p. 8 of catalog "Gold Star Digital Key Telephone System GDK-162."

Design of Telephone, p. 11 of catalog "Multiple Communication System PX-3000," issued by Nitsuko Kabushiki Kaisha.

Primary Examiner—Ian Simmons

Assistant Examiner—Carla Wright

(74) *Attorney, Agent, or Firm*—Seyfarth Shaw LLP

(57) **CLAIM**

The ornamental design for a telephone leg, as shown and described.

DESCRIPTION

FIG. 1 is a rear perspective view of the telephone leg showing our new design;

FIG. 2 is a rear elevation view thereof;

FIG. 3 is a front elevation view thereof;

FIG. 4 is a side elevational view of one side thereof;

FIG. 5 is a side elevational view of the other side thereof;

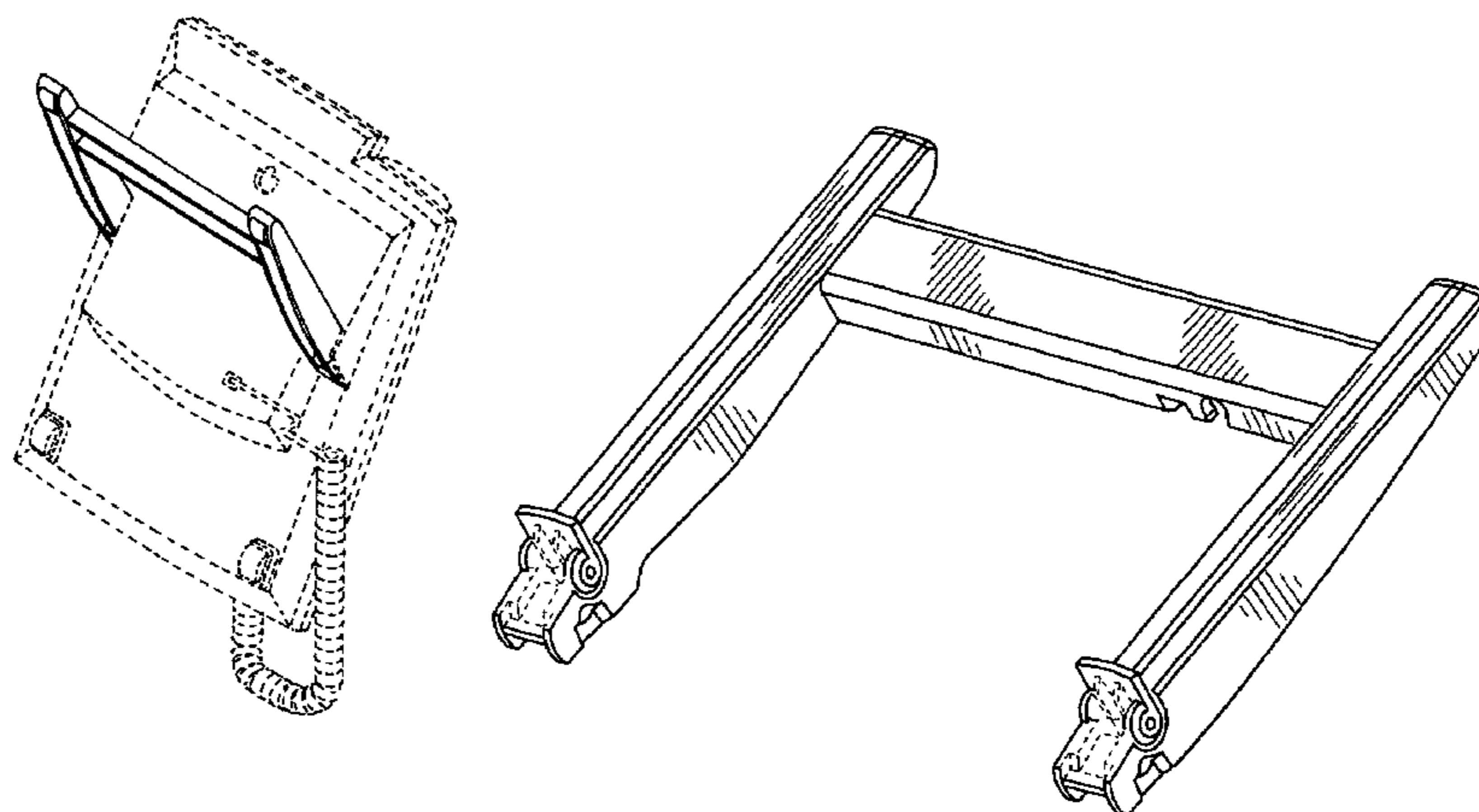
FIG. 6 is an end view of one end thereof;

FIG. 7 is an end view of the other end thereof; and,

FIG. 8 is a front perspective view thereof.

The broken line showing of environmental structures is for illustrative purposes only and forms no part of the claimed design.

1 Claim, 2 Drawing Sheets



US D571,796 S

Page 2

U.S. PATENT DOCUMENTS

D521,962 S *	5/2006	Voege et al.	D14/126	D537,065 S *	2/2007	Chen	D14/151
D522,984 S *	6/2006	Rhoades et al.	D14/126	D552,588 S *	10/2007	Park et al.	D14/151
D528,081 S *	9/2006	Brunner et al.	D14/126	D555,143 S *	11/2007	Chou	D14/151
7,130,421 B2 *	10/2006	Xue	379/435	2007/0235626 A1 *	10/2007	Mamizuka et al.	248/677
D531,599 S *	11/2006	Nakata	D14/126				

* cited by examiner

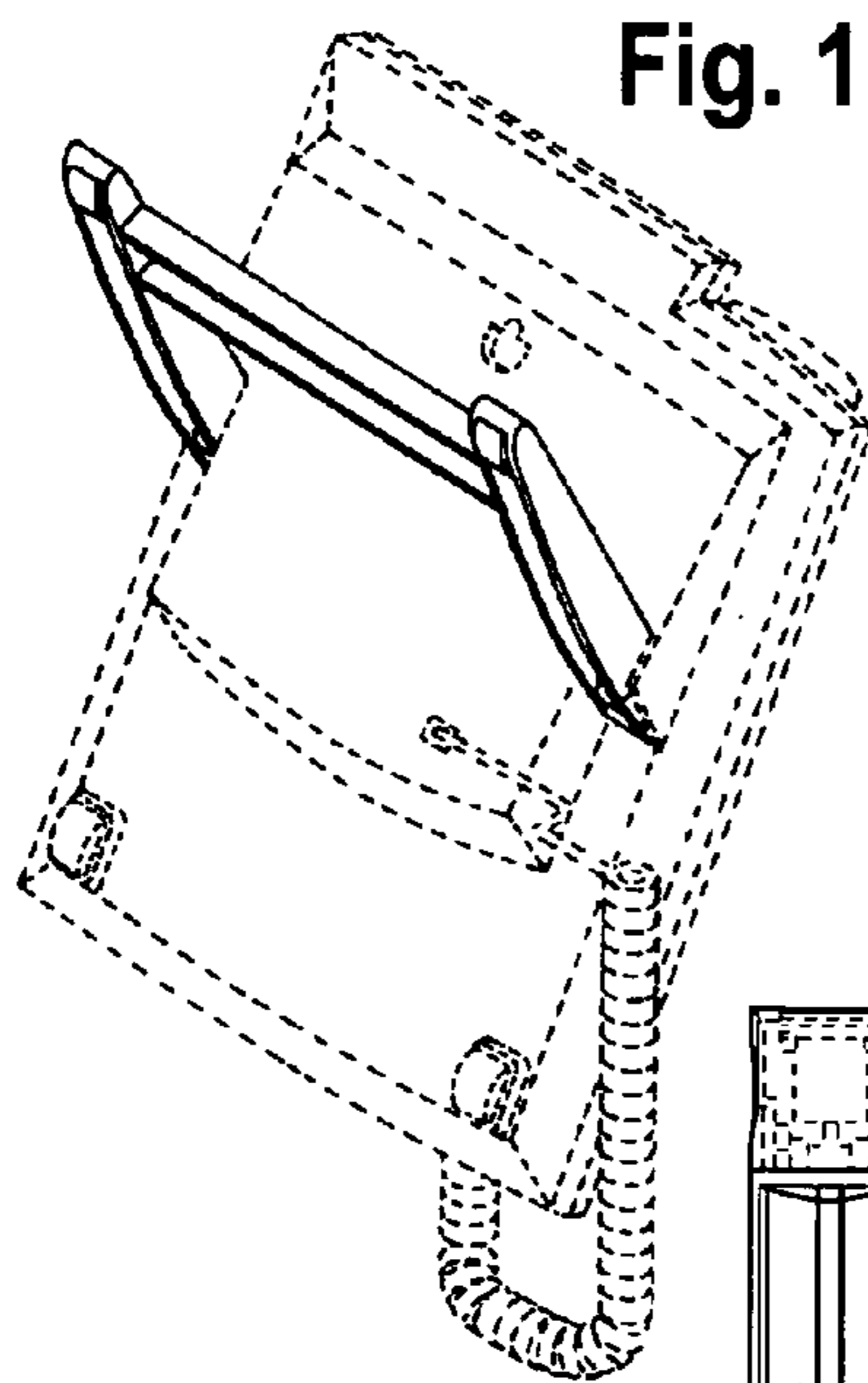


Fig. 2

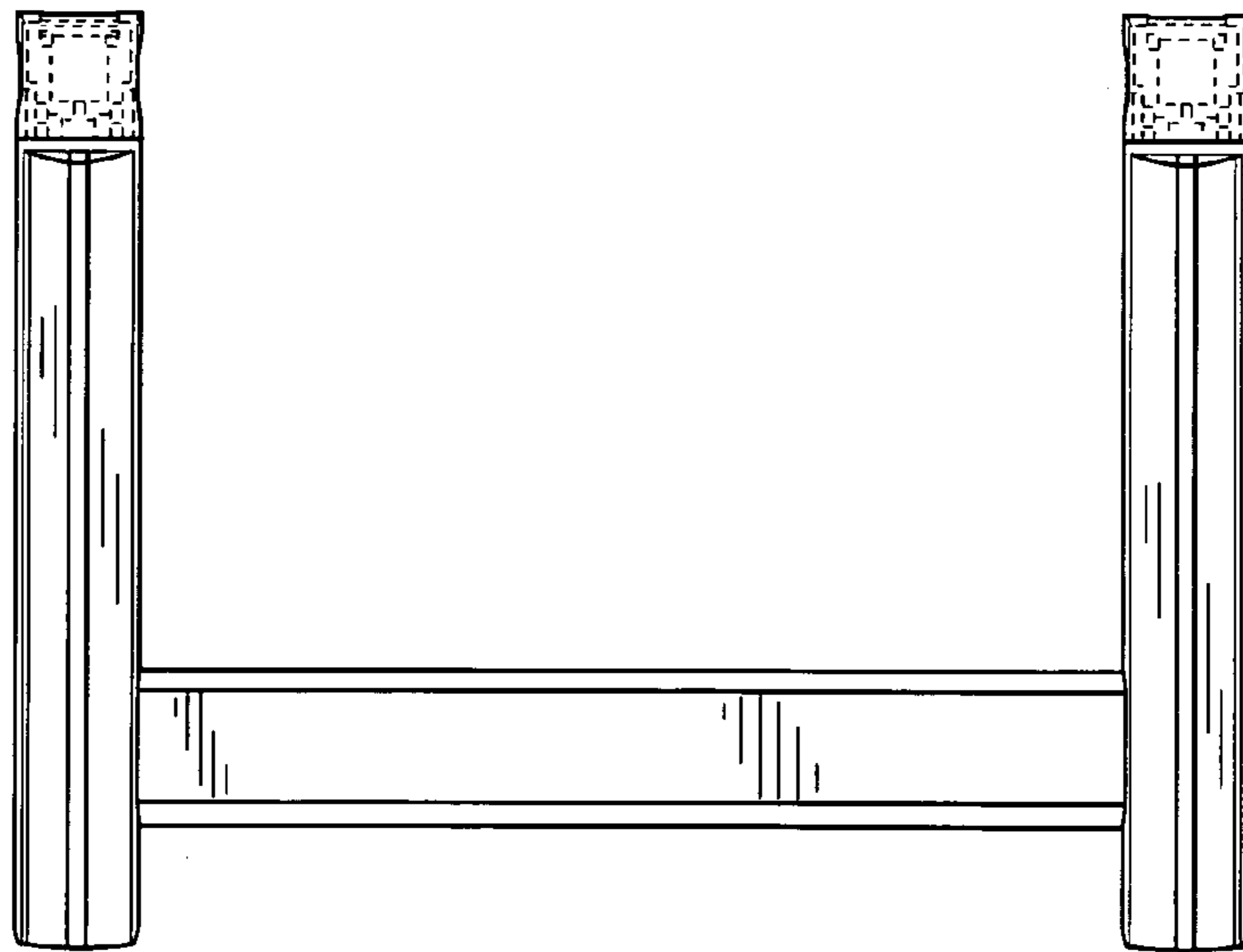


Fig. 3

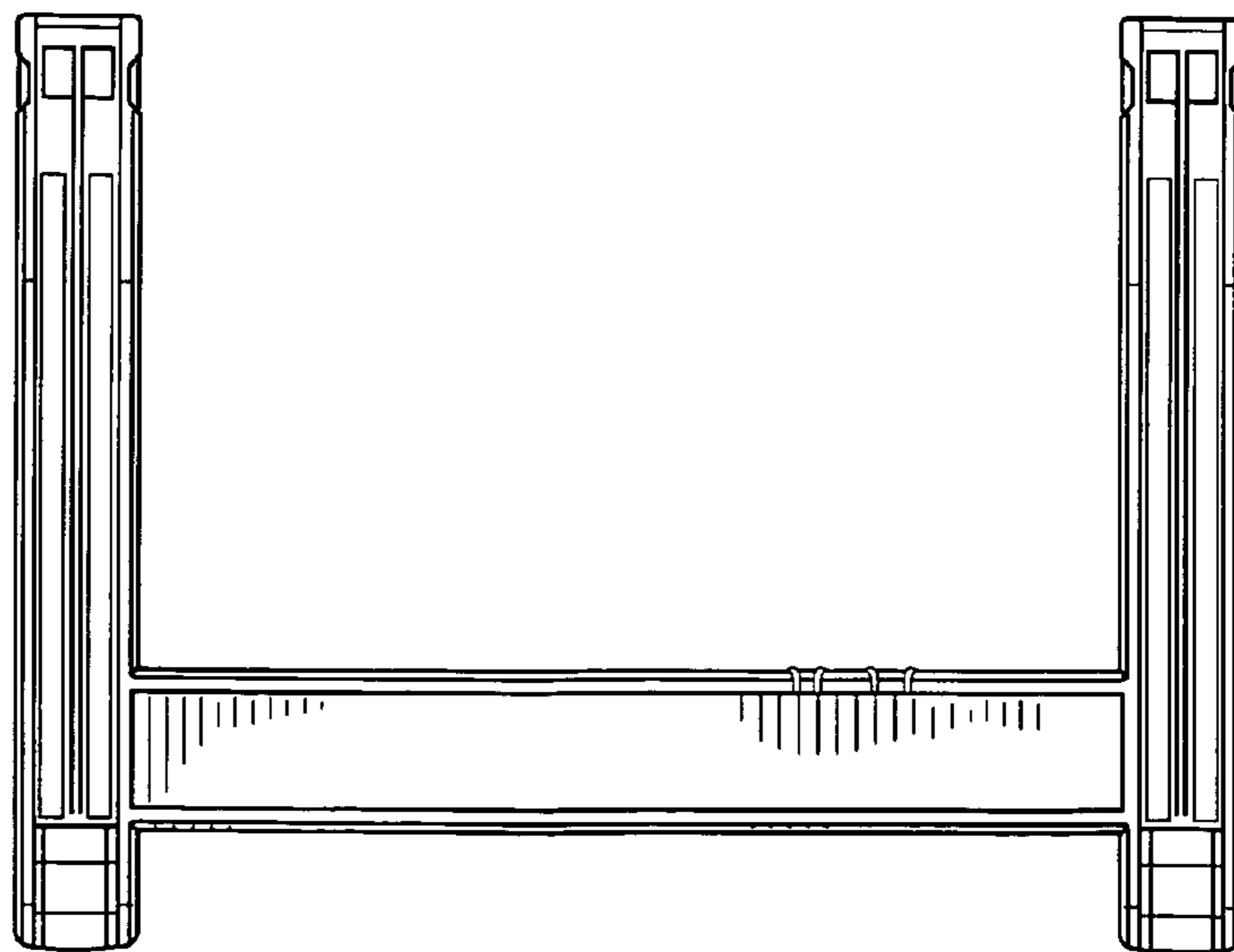


Fig. 4

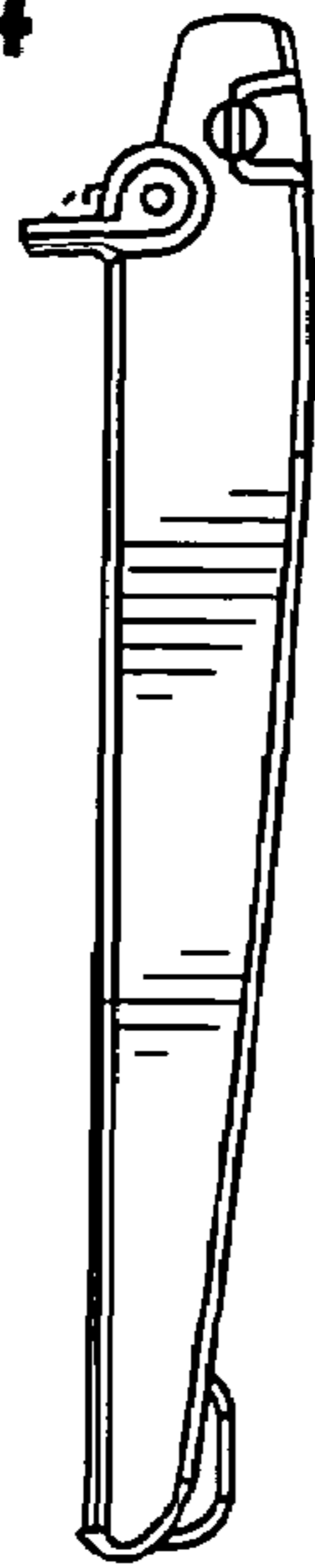


Fig. 5

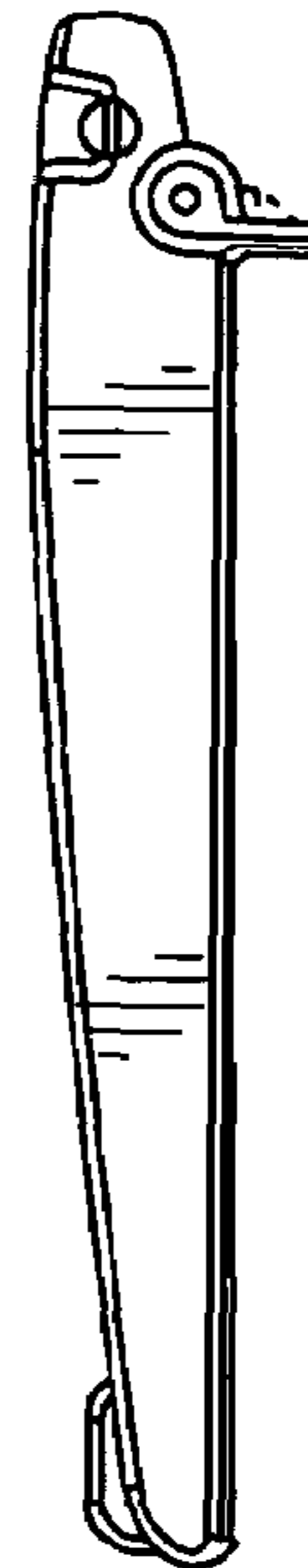


Fig. 6

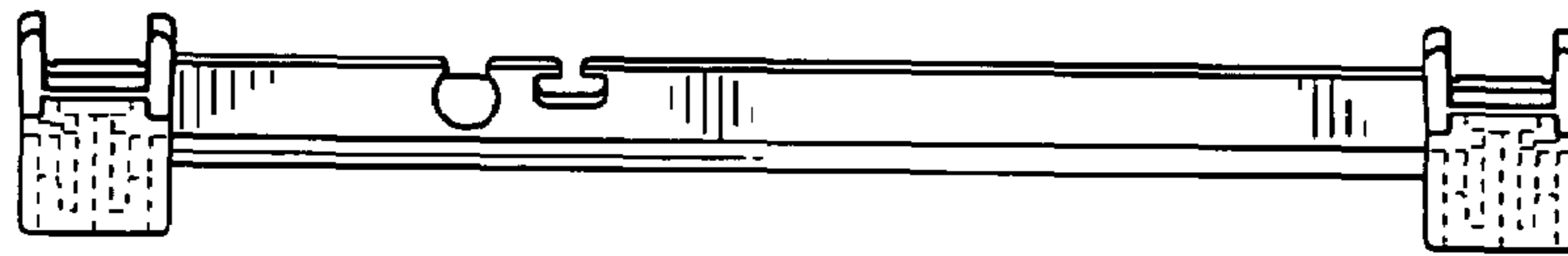


Fig. 7

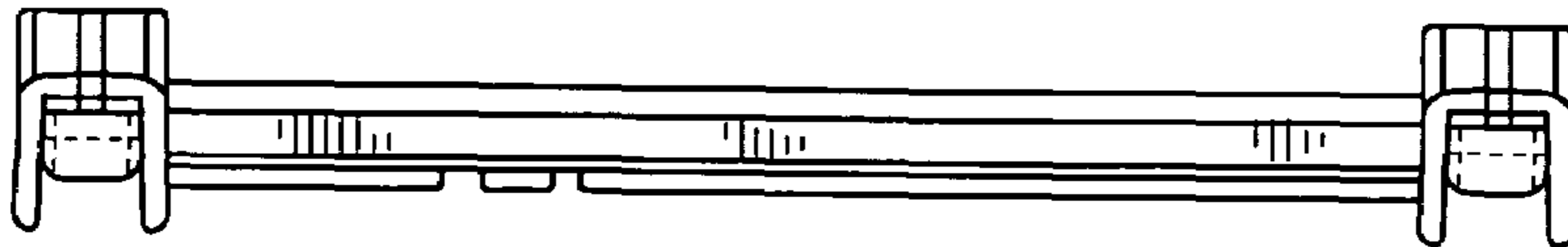


Fig. 8

