



US00D571786S

(12) **United States Design Patent**  
**Cho**

(10) **Patent No.:** **US D571,786 S**  
(45) **Date of Patent:** **\*\* Jun. 24, 2008**

(54) **SPEAKER**

- (75) Inventor: **Ju-Won Cho**, Seoul (KR)
- (73) Assignee: **Samsung Electronics Co., Ltd.**, Suwon, Kyunggi-Do (KR)
- (\*\*) Term: **14 Years**
- (21) Appl. No.: **29/286,867**
- (22) Filed: **May 21, 2007**

- (51) **LOC (8) Cl.** ..... **14-01**
- (52) **U.S. Cl.** ..... **D14/215**
- (58) **Field of Classification Search** ..... D14/204, D14/207, 210–216, 172; 181/143–144, 147–148, 181/150–153, 157, 198–199; 381/300–303, 381/306, 332–333, 336, 345, 361–364, 386–388  
See application file for complete search history.

(56) **References Cited**

**U.S. PATENT DOCUMENTS**

D382,270 S *	8/1997	Matsuoka	.....	D14/214
D417,217 S *	11/1999	Heath	.....	D14/215
D435,539 S *	12/2000	Tsuge	.....	D14/214
D485,257 S *	1/2004	Allen	.....	D14/215
D509,212 S *	9/2005	Hioki	.....	D14/215

**OTHER PUBLICATIONS**

U.S. Appl. No. 29/258,373, Applicant: Jae-Hyung Kim, filed Apr. 20, 2006 entitled Speaker for Home Theater.  
U.S. Appl. No. 29/286,869, Applicant: Ju-Won Cho, filed May 21, 2007 entitled Speaker.

\* cited by examiner

*Primary Examiner*—Nanda Bondade  
(74) *Attorney, Agent, or Firm*—Flynn, Thiel, Boutell & Tanis, P.C.

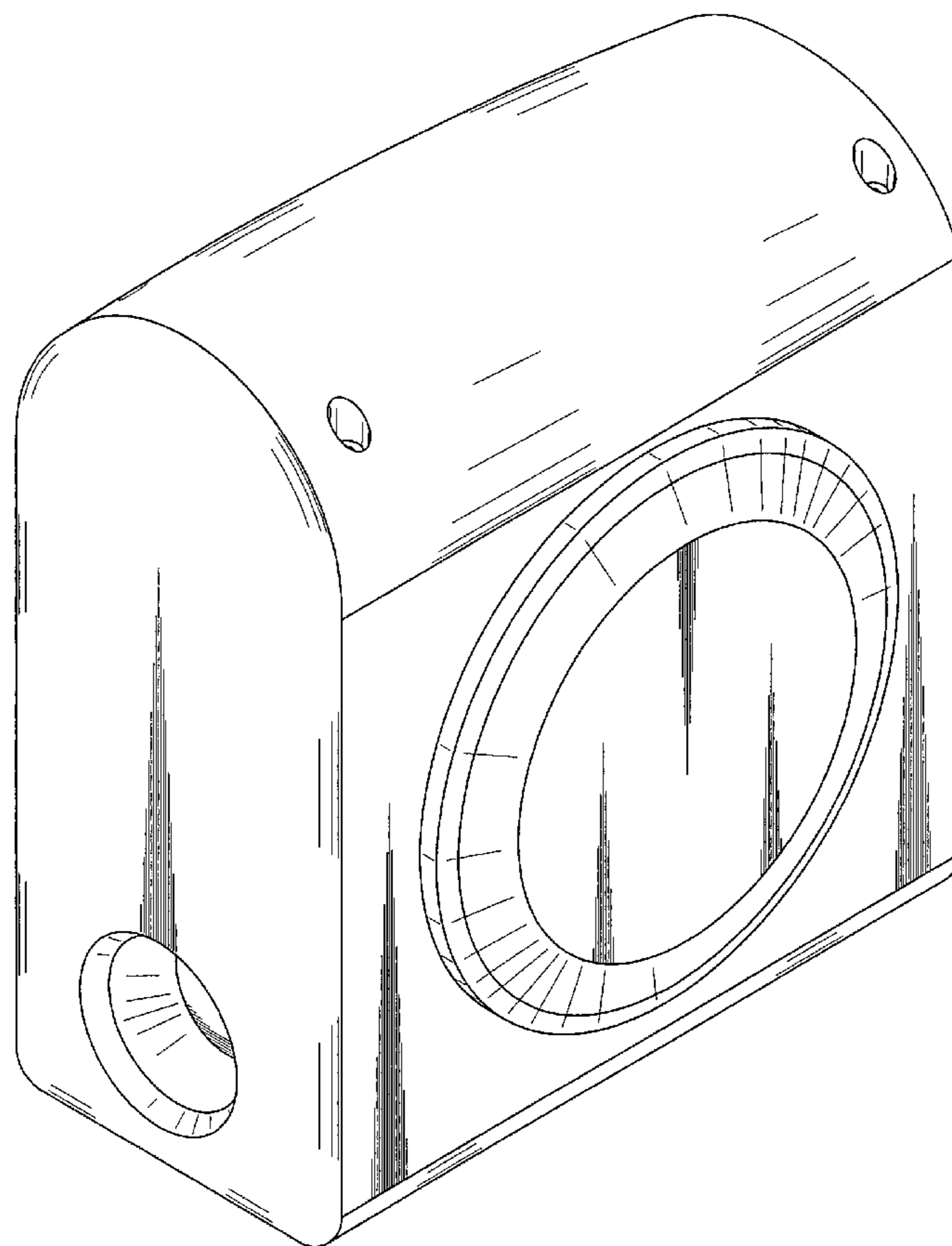
(57) **CLAIM**

The ornamental design for a speaker, as shown and described.

**DESCRIPTION**

FIG. 1 is a top front perspective view of a speaker showing my new design;  
FIG. 2 is a front elevational view thereof;  
FIG. 3 is a rear elevational view thereof;  
FIG. 4 is a left side elevational view thereof;  
FIG. 5 is a right side elevational view thereof;  
FIG. 6 is a top plan view thereof; and,  
FIG. 7 is a bottom plan view thereof.

**1 Claim, 5 Drawing Sheets**



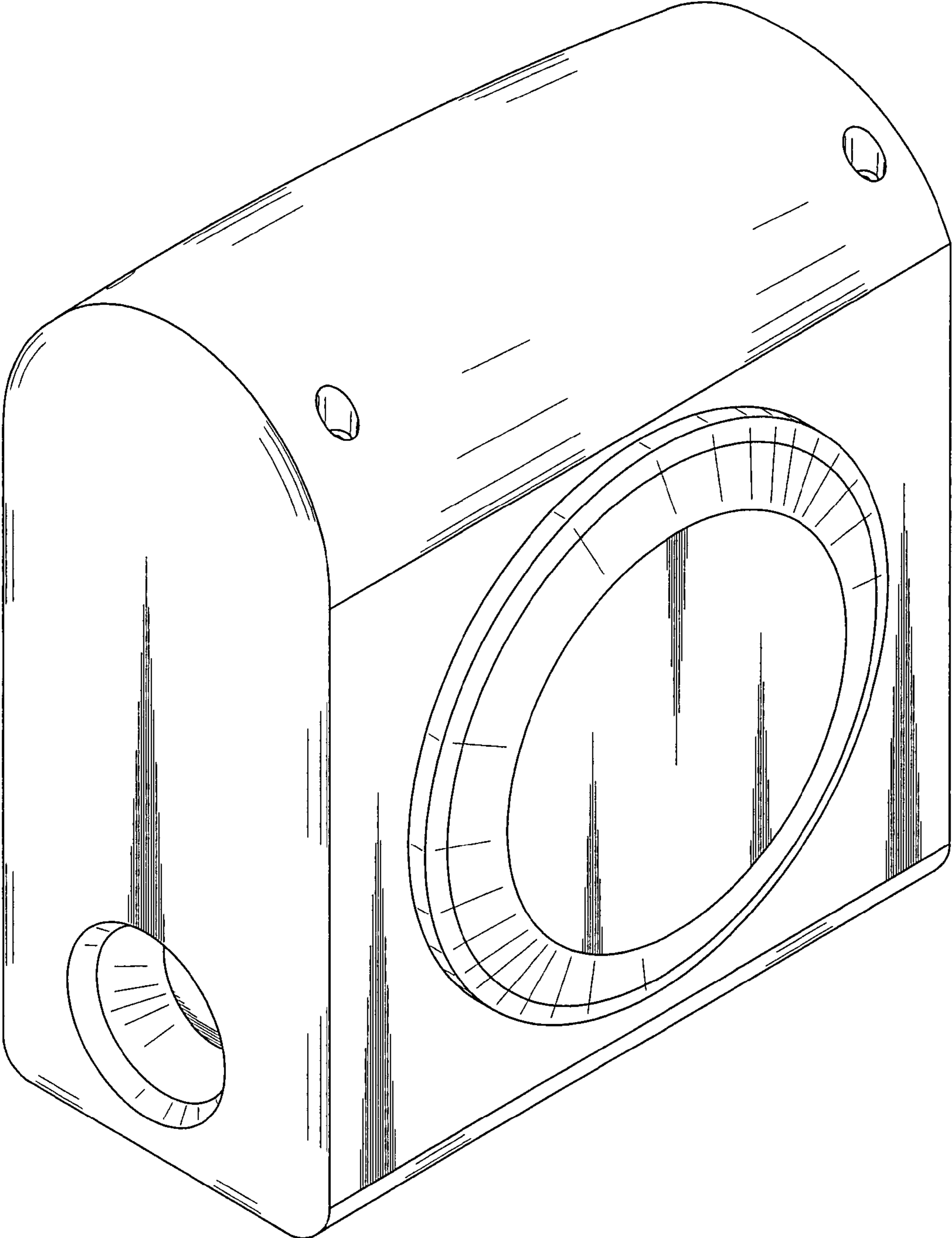


FIG. 1

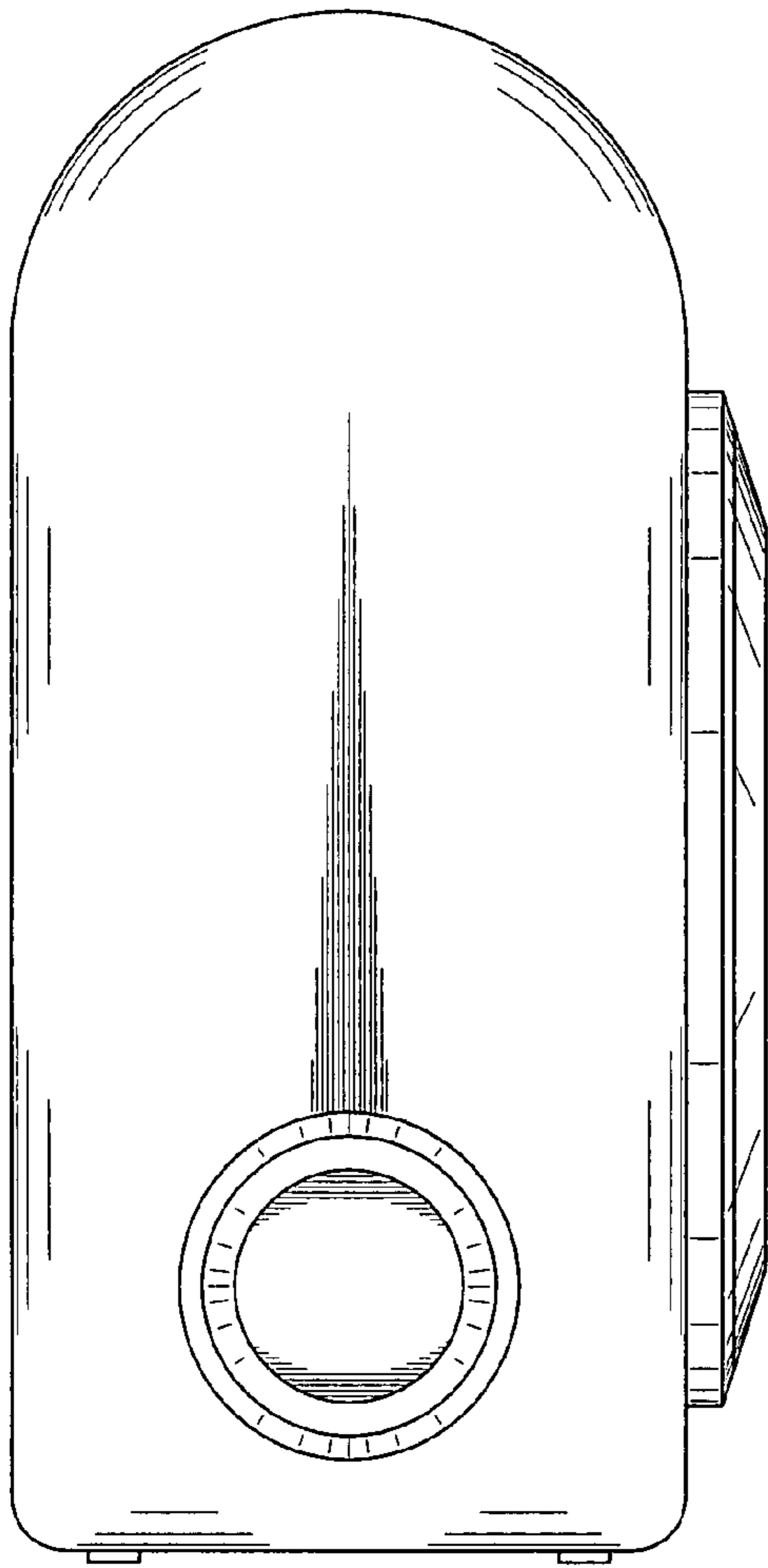


FIG. 2

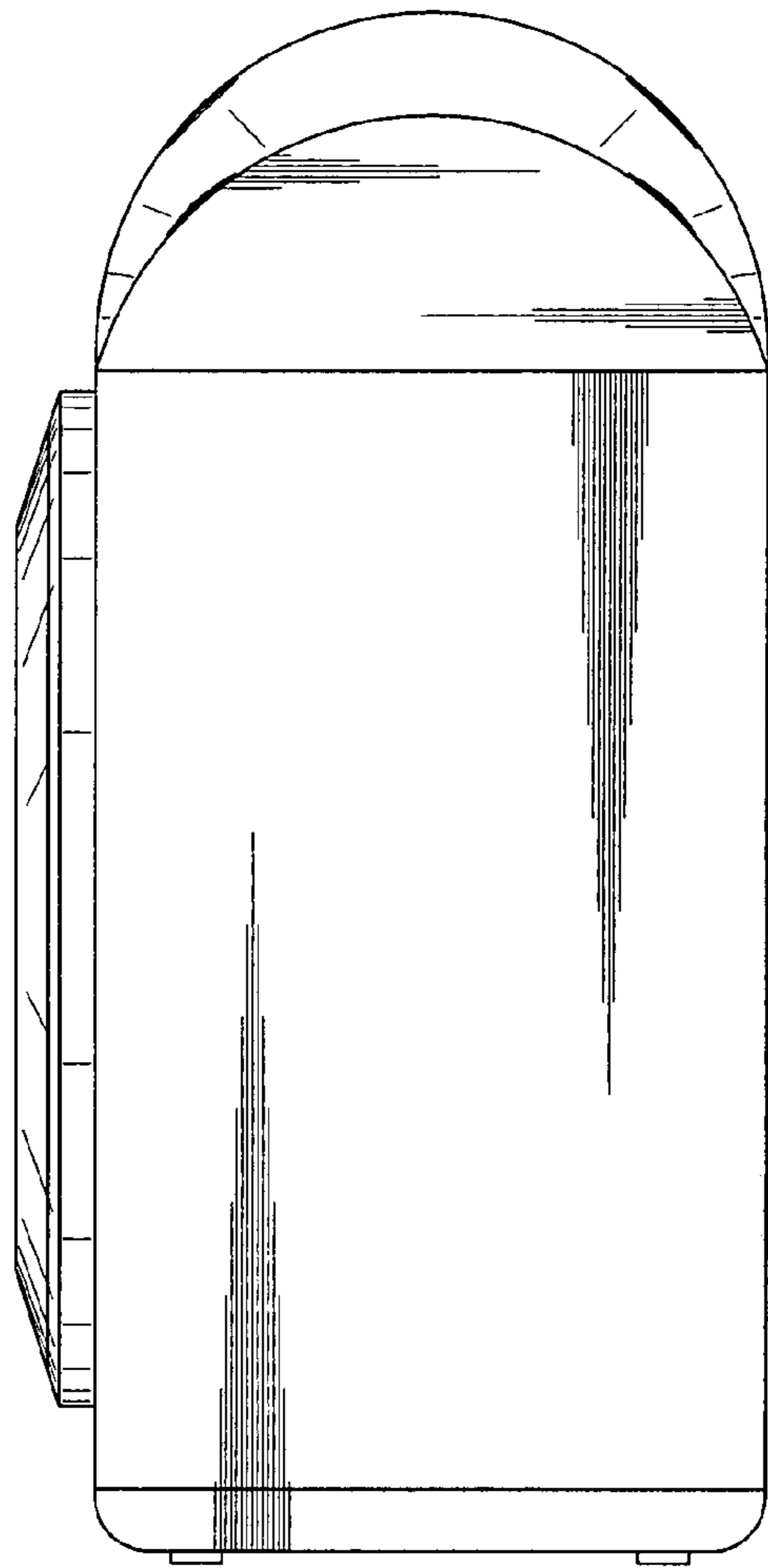


FIG. 3

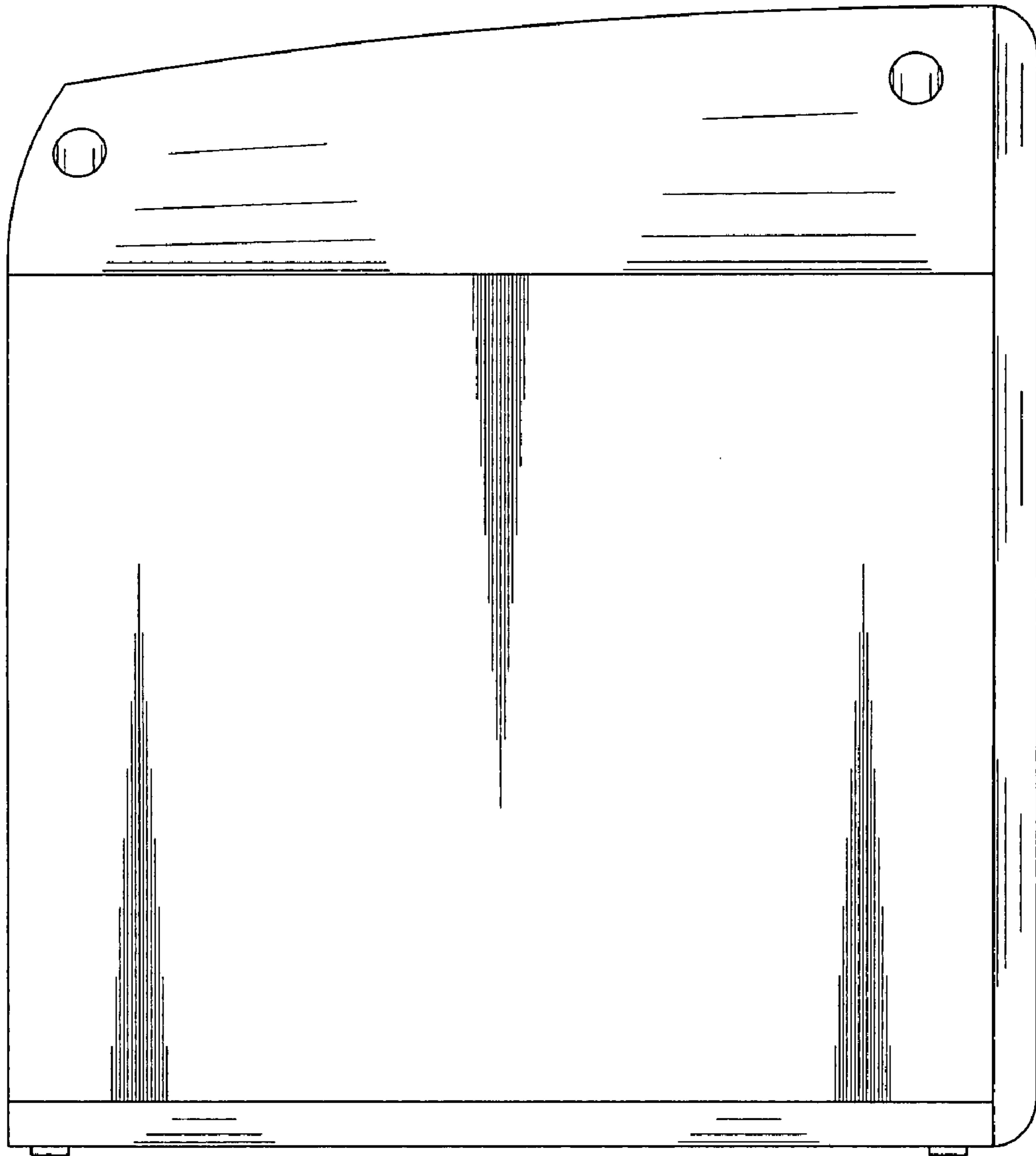


FIG. 4

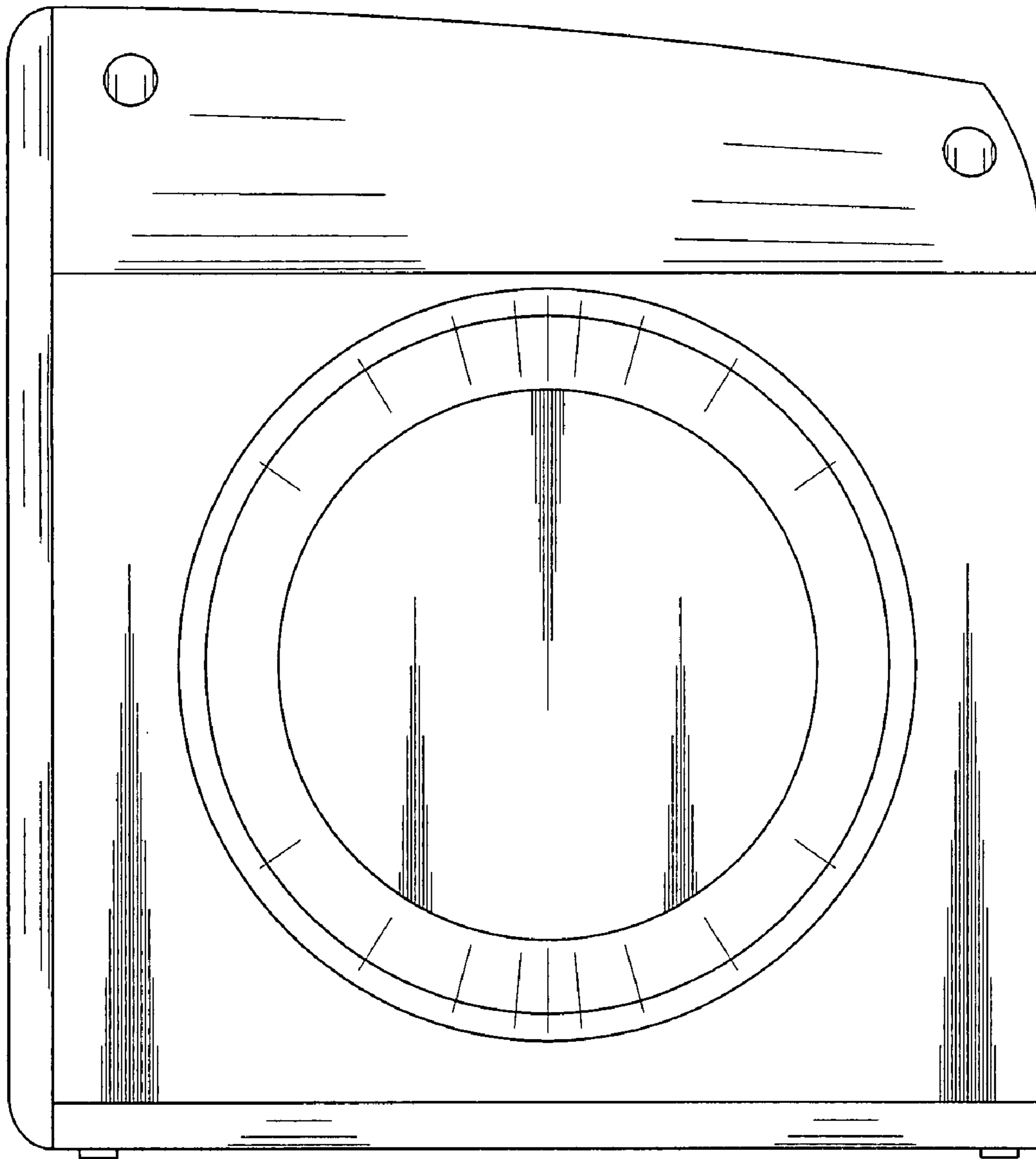


FIG. 5

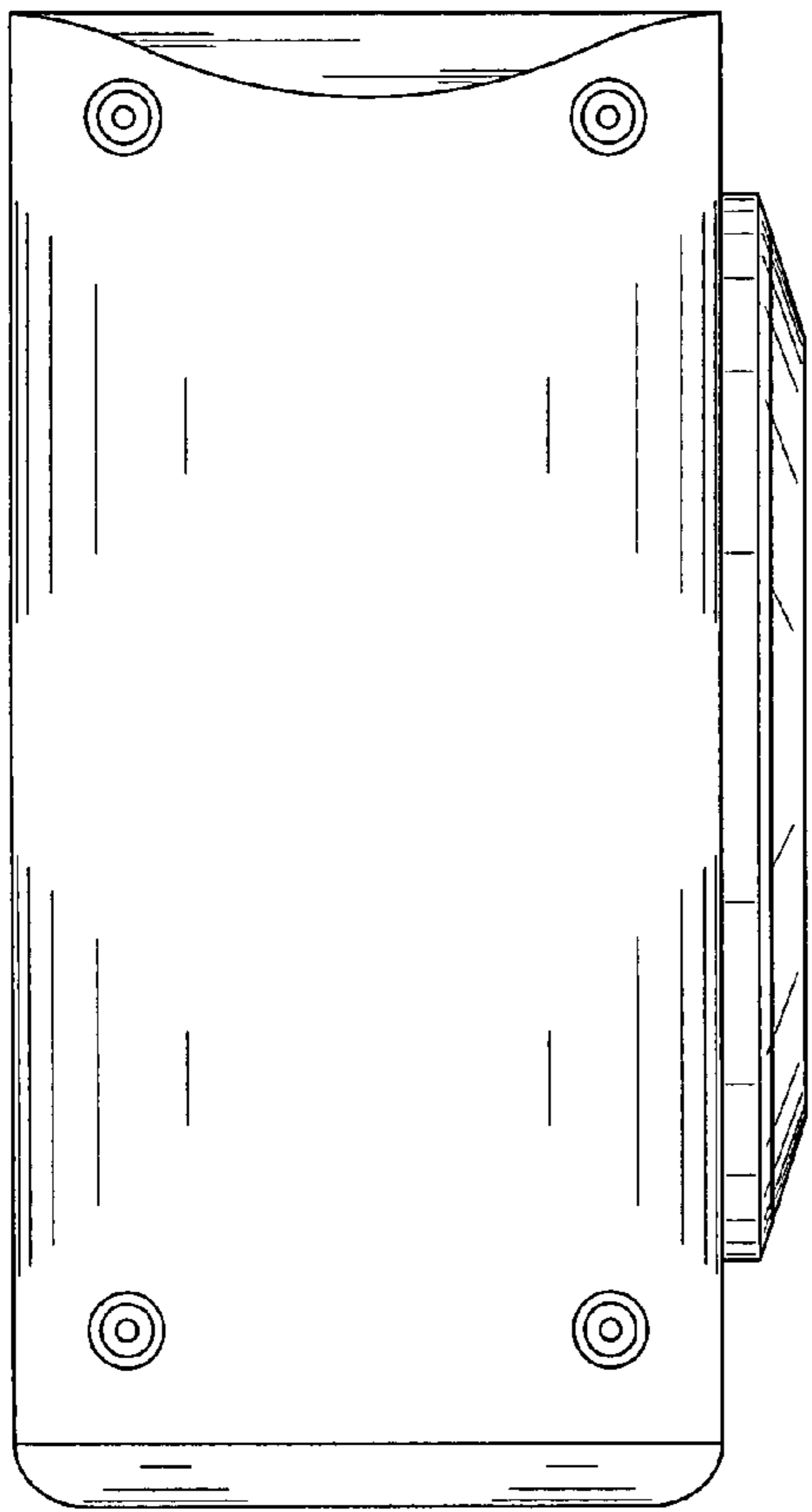


FIG. 6

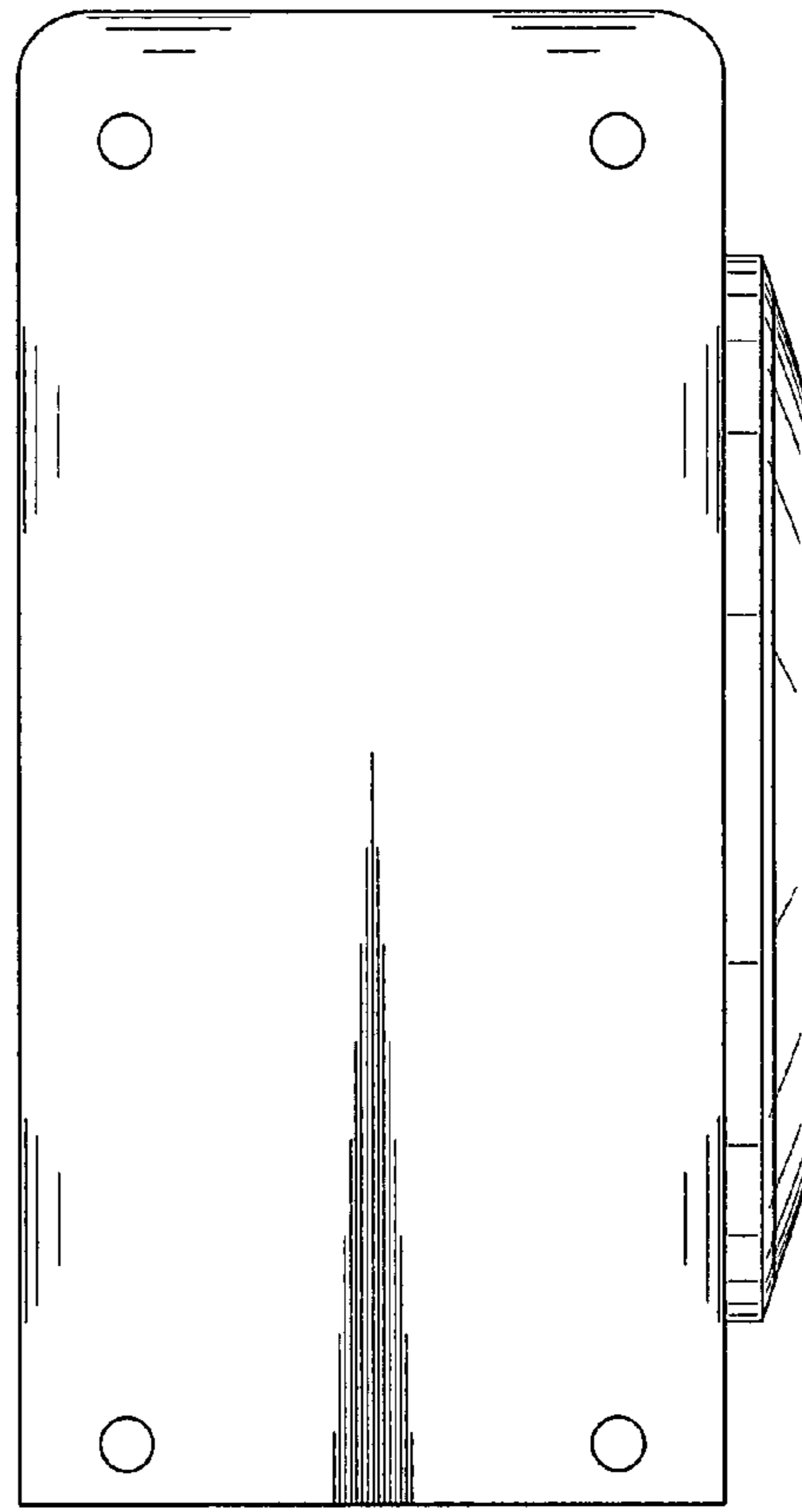


FIG. 7