



US00D571785S

(12) **United States Design Patent**
Kim

(10) **Patent No.:** **US D571,785 S**

(45) **Date of Patent:** **** Jun. 24, 2008**

(54) **SPEAKER**

(75) Inventor: **Jae Hyung Kim**, Seoul (KR)

(73) Assignee: **Samsung Electronics Co., Ltd.**, Suwon (KR)

(**) Term: **14 Years**

(21) Appl. No.: **29/271,410**

(22) Filed: **Jan. 18, 2007**

(51) **LOC (8) Cl.** **14-01**

(52) **U.S. Cl.** **D14/211**

(58) **Field of Classification Search** D14/204,
D14/209–216; 181/143–144, 147–148, 150,
181/157, 198–199, 151, 153; 381/300–302,
381/306, 333, 345, 361–364, 386–388, 332,
381/336

See application file for complete search history.

(56) **References Cited**

U.S. PATENT DOCUMENTS

D354,750 S * 1/1995 Lewis D14/216

D437,843 S * 2/2001 Masui D14/215
D483,026 S * 12/2003 Koskinen D14/211
D496,349 S * 9/2004 Allen D14/211
D512,987 S * 12/2005 Tsuge D14/211

* cited by examiner

Primary Examiner—Nanda Bondade

(74) *Attorney, Agent, or Firm*—Ladas and Parry LLP

(57) **CLAIM**

I claim the ornamental design for speaker, as shown.

DESCRIPTION

FIG. 1 is a front/right-side/top perspective view of a speaker showing our new design;

FIG. 2 is a front elevational view thereof;

FIG. 3 is a rear elevational view thereof;

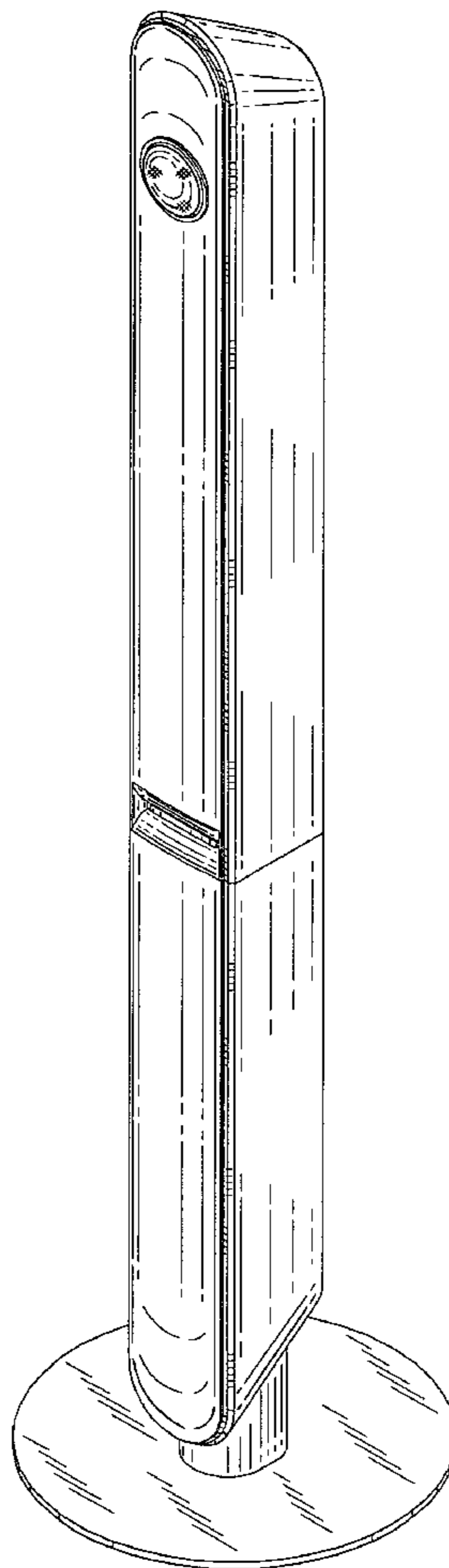
FIG. 4 is a left-side elevational view thereof;

FIG. 5 is a right-side elevational view thereof;

FIG. 6 is a top plan view thereof; and,

FIG. 7 is a bottom plan view thereof.

1 Claim, 4 Drawing Sheets



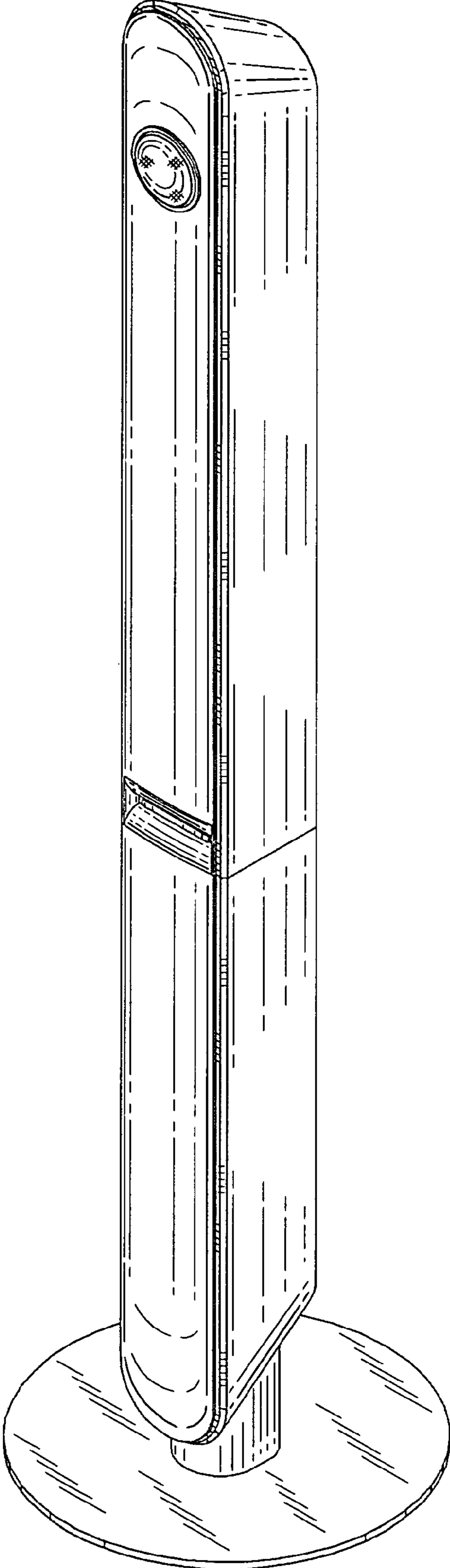


FIG. 1

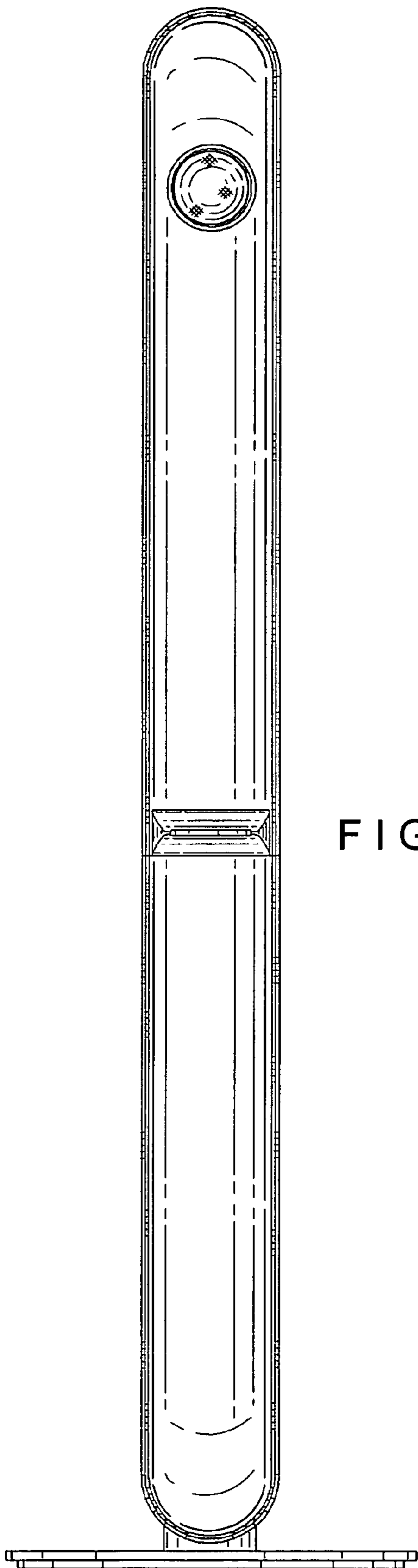


FIG. 2

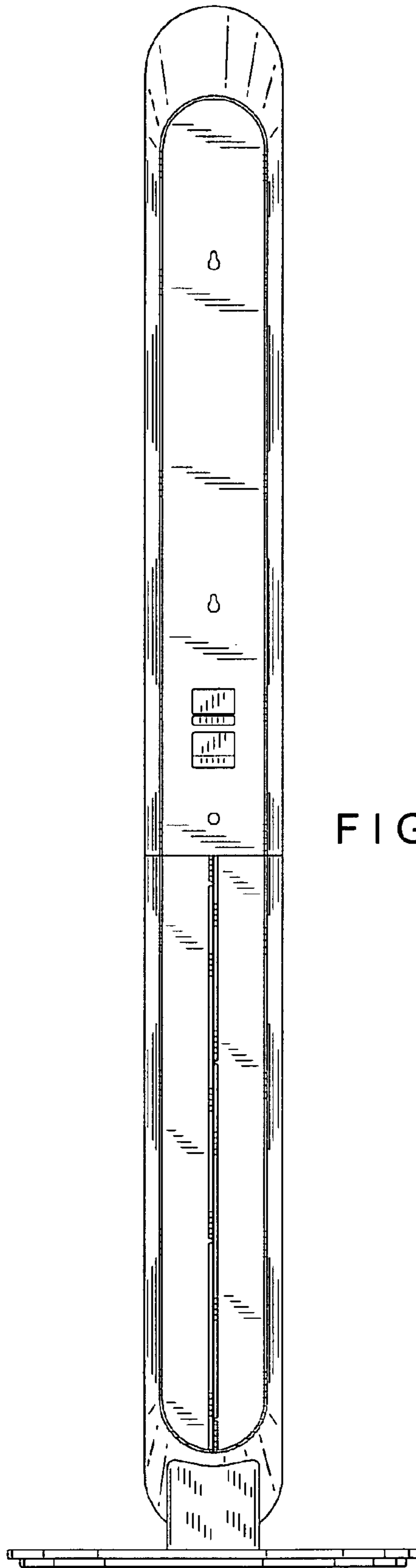


FIG. 3

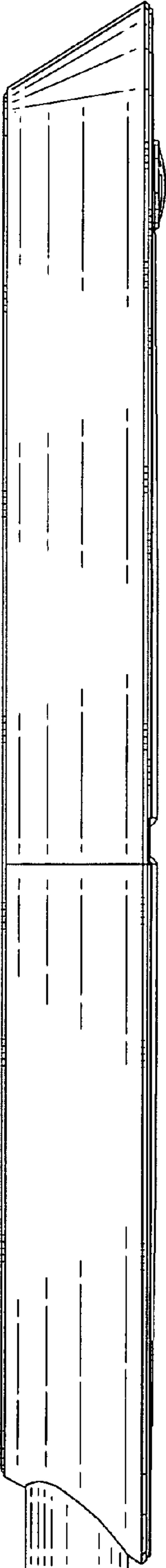


FIG. 4

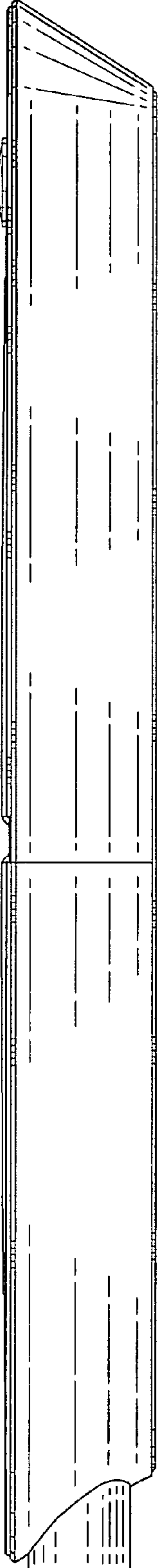


FIG. 5

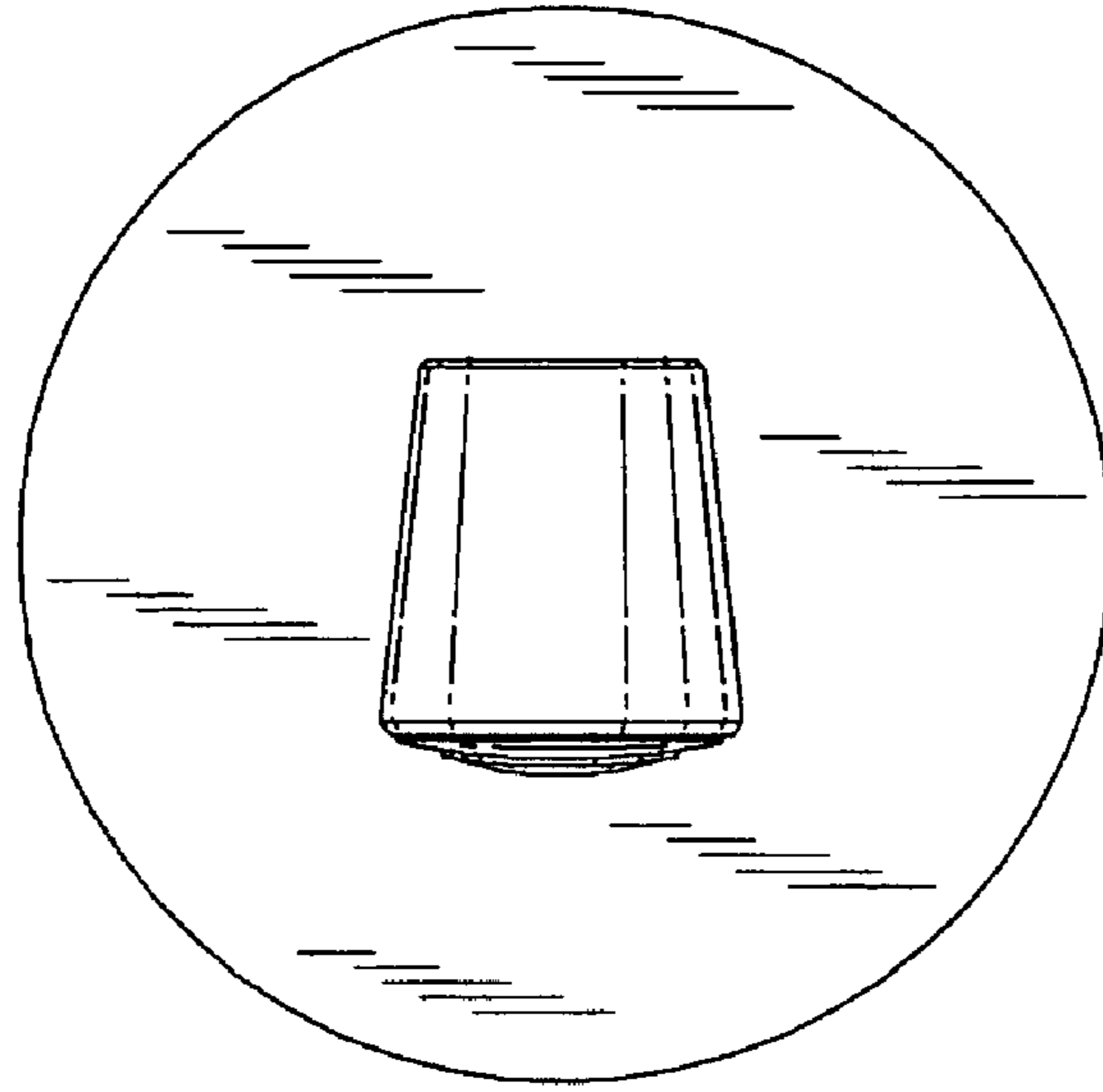


FIG. 6

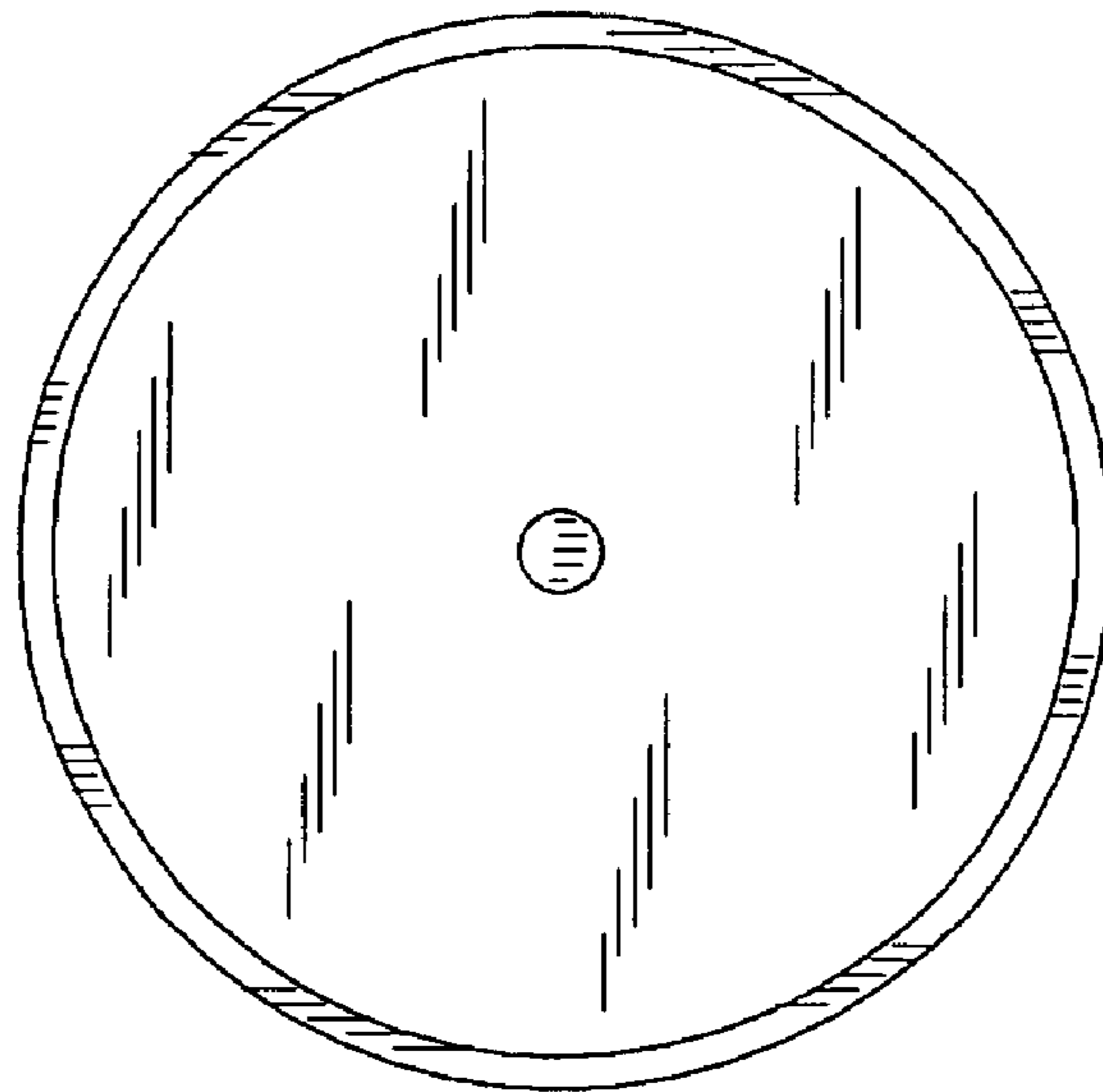


FIG. 7