

US00D571782S

(12) **United States Design Patent**  
**Moldauer et al.**

(10) **Patent No.:** **US D571,782 S**  
(45) **Date of Patent:** **\*\* Jun. 24, 2008**

(54) **NETWORK MEDIA PLAYER**

(75) Inventors: **John Moldauer**, Hoboken, NJ (US);  
**Adam Sanchez**, Nutley, NJ (US); **Paul Lacotta**, Tenafly, NJ (US); **William Fiebel**, Succasunna, NJ (US)

(73) Assignee: **Altec Lansing, a division of Plantronics, Inc.**, Milford, PA (US)

(\*\*) Term: **14 Years**

(21) Appl. No.: **29/278,813**

(22) Filed: **Apr. 10, 2007**

(51) **LOC (8) Cl.** ..... **14-03**

(52) **U.S. Cl.** ..... **D14/198; D14/496; D14/188**

(58) **Field of Classification Search** ..... D14/137,  
D14/155, 168, 169, 188, 192-198, 204, 217,  
D14/257, 258, 265, 496; 455/344-351; 369/6-12  
See application file for complete search history.

(56) **References Cited**

**U.S. PATENT DOCUMENTS**

D229,616 S	*	12/1973	Robson	.....	D14/217
D319,237 S	*	8/1991	Ito et al.	.....	D14/164
D423,505 S	*	4/2000	Harrell et al.	.....	D14/197
D451,083 S	*	11/2001	Ito et al.	.....	D14/188
D477,329 S	*	7/2003	Heath et al.	.....	D14/496

D502,696 S	*	3/2005	Ishibashi	.....	D14/198
D523,023 S	*	6/2006	Hsiung et al.	.....	D14/496
D537,067 S	*	2/2007	Oikawa	.....	D14/188
D537,435 S	*	2/2007	Oikawa	.....	D14/188
D557,680 S	*	12/2007	Corsini	.....	D14/168

\* cited by examiner

*Primary Examiner*—Stella M. Reid

*Assistant Examiner*—Keli L Acker

(74) *Attorney, Agent, or Firm*—Greenberg Traurig LLP;  
Richard E. Kurtz

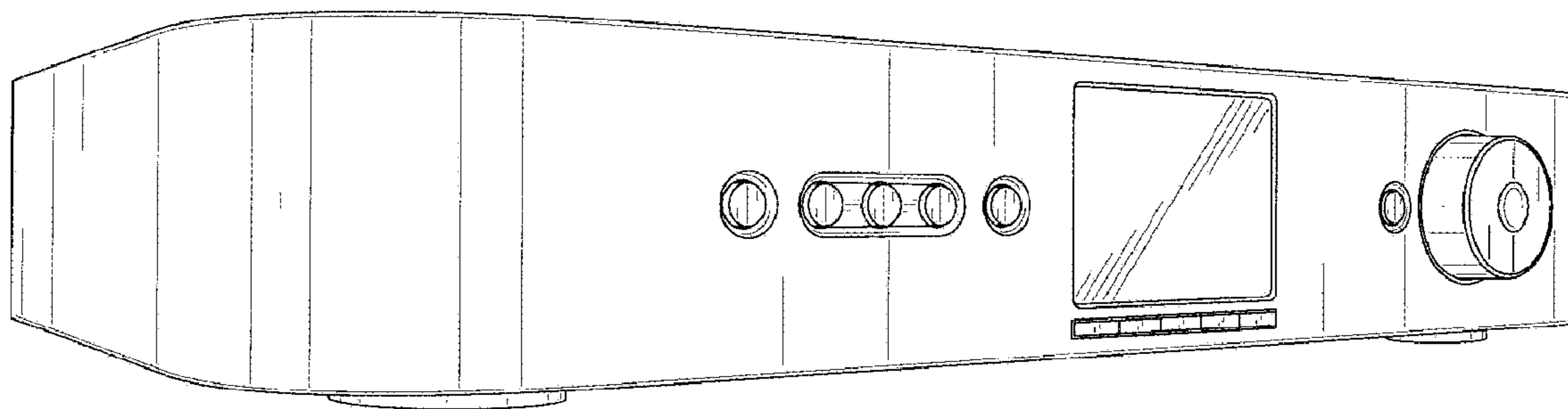
(57) **CLAIM**

The ornamental design for a network media player, as shown and described.

**DESCRIPTION**

FIG. 1 is a perspective view of the present design;  
FIG. 2 is a front elevation view of the present design;  
FIG. 3 is a rear elevation view of the present design;  
FIG. 4 is a left elevation view of the present design;  
FIG. 5 is a right elevation view of the present design;  
FIG. 6 is a top view of the present design; and,  
FIG. 7 is a bottom view of the present design.

**1 Claim, 3 Drawing Sheets**



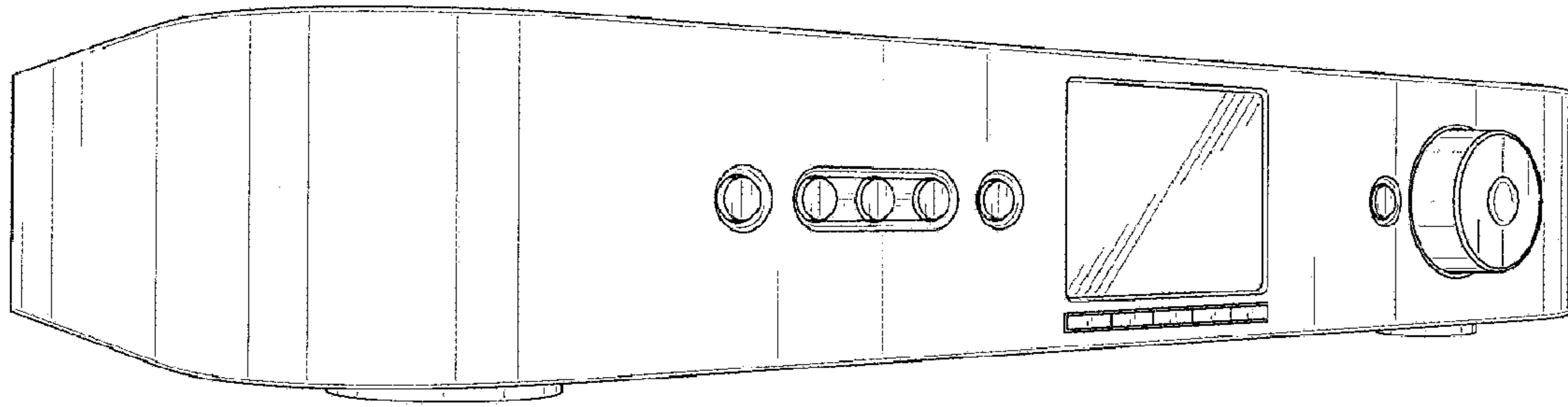


Figure 1

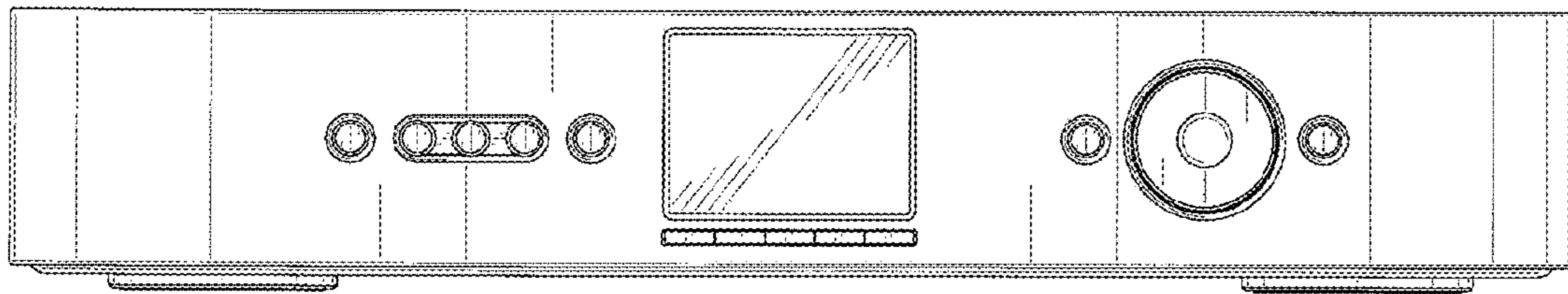


Figure 2

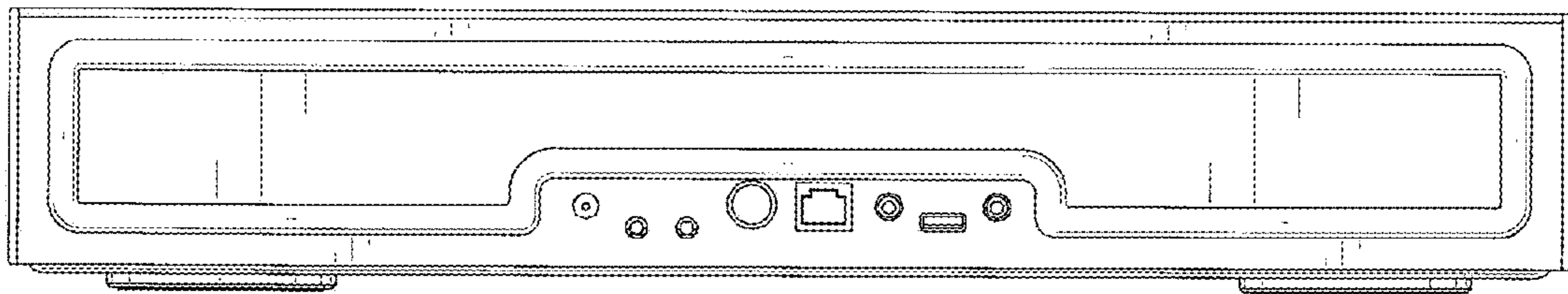


Figure 3

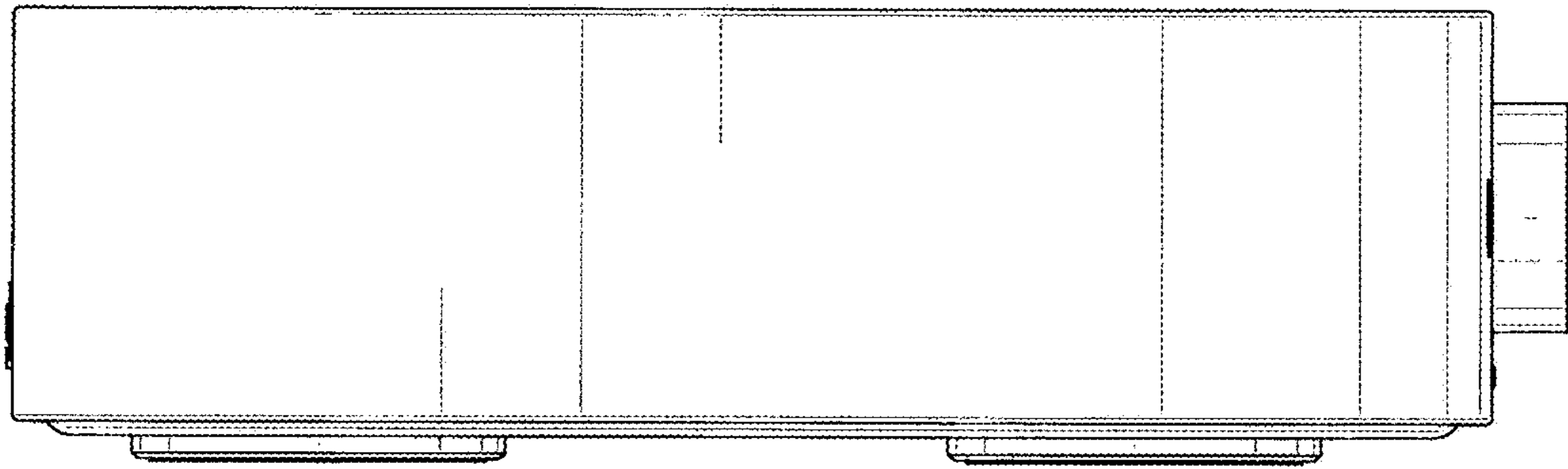


Figure 4

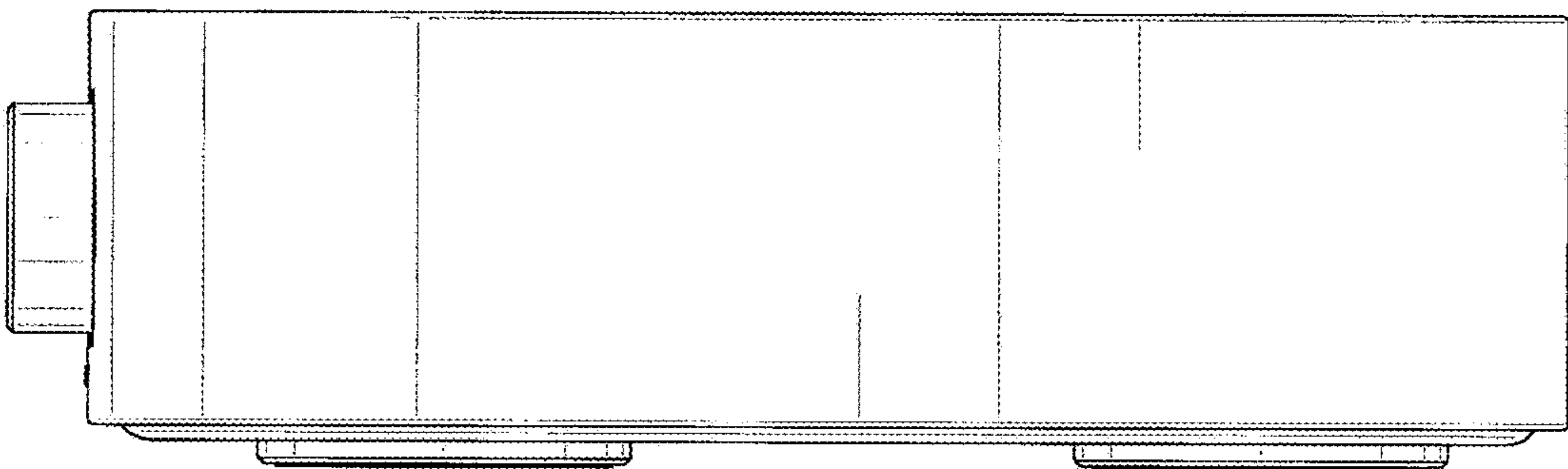


Figure 5

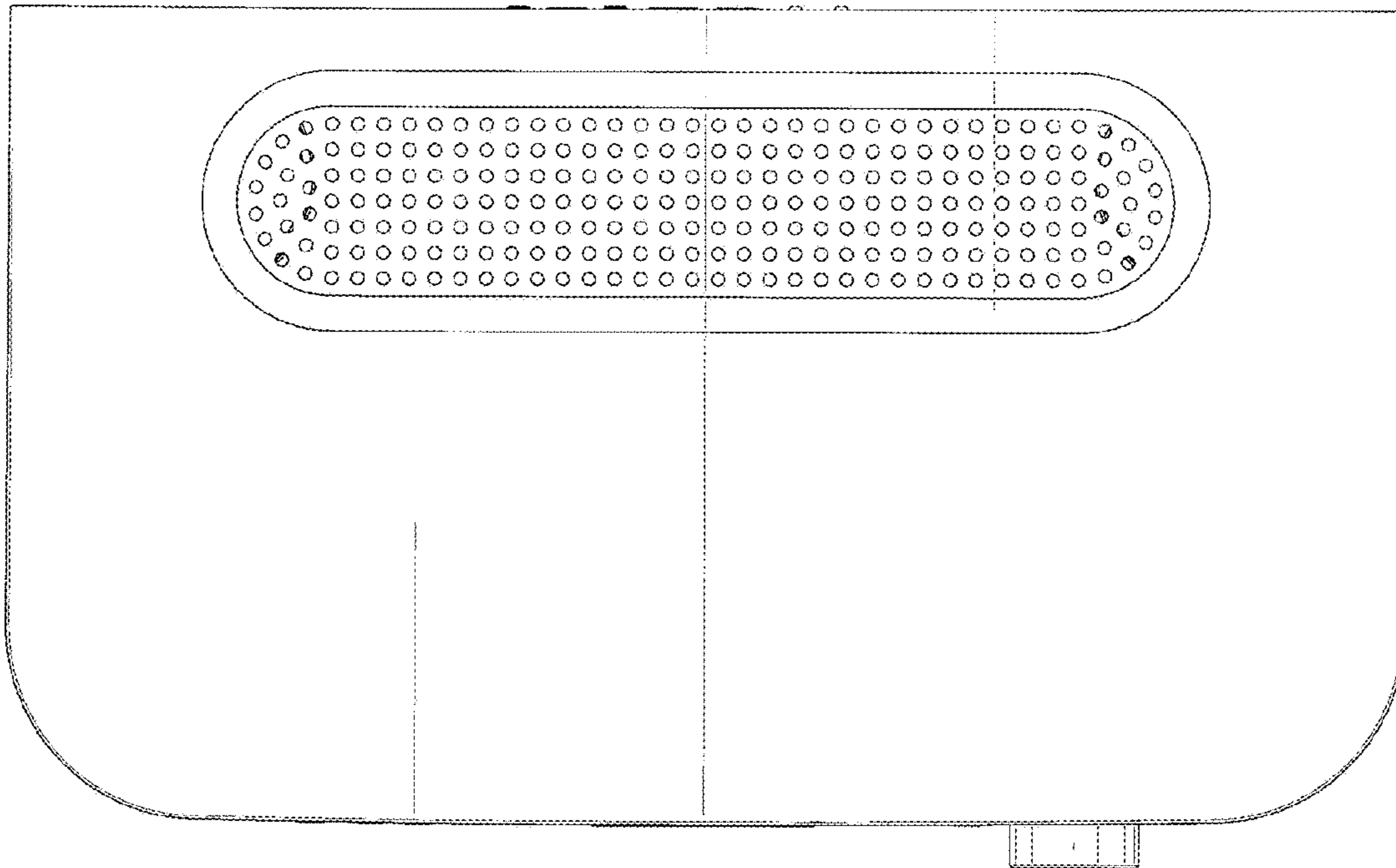


Figure 6

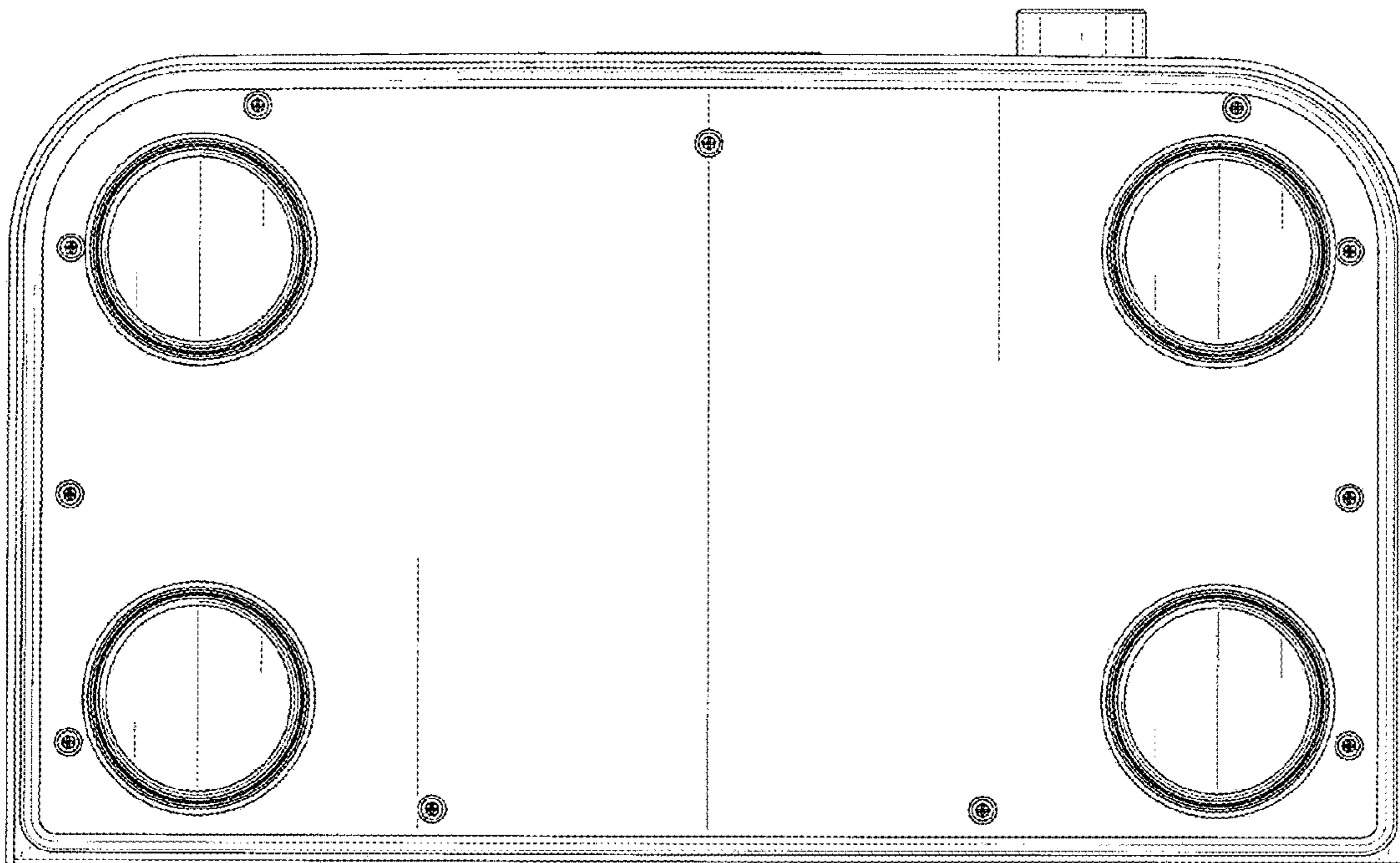


Figure 7