



US00D571779S

(12) **United States Design Patent**  
**Matsuoka**

(10) **Patent No.:** **US D571,779 S**  
(45) **Date of Patent:** **\*\* Jun. 24, 2008**

(54) **COMBINED TELEVISION STAND, SPEAKER, AND AMPLIFIER**

(75) Inventor: **Shoichiro Matsuoka**, Tokyo (JP)

(73) Assignee: **Sony Corporation**, Tokyo (JP)

(\*\*) Term: **14 Years**

(21) Appl. No.: **29/274,072**

(22) Filed: **Mar. 27, 2007**

(30) **Foreign Application Priority Data**

Sep. 29, 2006 (JP) ..... 2006-026367  
Sep. 29, 2006 (JP) ..... 2006-026368

(51) **LOC (8) Cl.** ..... **14-01**

(52) **U.S. Cl.** ..... **D14/168; D6/477**

(58) **Field of Classification Search** ..... D14/168,  
D14/172, 188, 204, 224, 229; 108/106, 50.2;  
211/135, 186, 188; D6/466, 468, 477-479,  
D6/483-484

See application file for complete search history.

(56) **References Cited**

**U.S. PATENT DOCUMENTS**

D249,857 S \* 10/1978 Adkinson ..... D6/477  
(Continued)

**FOREIGN PATENT DOCUMENTS**

JP D931735 S 8/1995  
(Continued)

*Primary Examiner*—Nanda Bondade

(74) *Attorney, Agent, or Firm*—Rader, Fishman & Grauer, PLLC

(57) **CLAIM**

The ornamental design for a combined television stand, speaker, and amplifier, as shown and described.

**DESCRIPTION**

FIG. 1 is a perspective view of a first embodiment of a combined television stand, speaker, and amplifier showing my new design;

FIG. 2 is a front elevational view thereof;

FIG. 3 is a rear elevational view thereof;

FIG. 4 is a left side elevational view thereof;

FIG. 5 is a right side elevational view thereof;

FIG. 6 is a top plan view thereof;

FIG. 7 is a bottom plan view thereof;

FIG. 8 is a perspective view of a second embodiment a combined television stand, speaker, and amplifier showing my new design;

FIG. 9 is a front elevational view thereof;

FIG. 10 is a rear elevational view thereof;

FIG. 11 is a left side elevational view thereof;

FIG. 12 is a right side elevational view thereof;

FIG. 13 is a top plan view thereof;

FIG. 14 is a bottom plan view thereof;

FIG. 15 is a perspective view of a third embodiment a combined television stand, speaker, and amplifier showing my new design;

FIG. 16 is a front elevational view thereof;

FIG. 17 is a rear elevational view thereof;

FIG. 18 is a left side elevational view thereof;

FIG. 19 is a right side elevational view thereof;

FIG. 20 is a top plan view thereof;

FIG. 21 is a bottom plan view thereof;

FIG. 22 is a perspective view of a fourth embodiment a combined television stand, speaker, and amplifier showing my new design;

FIG. 23 is a front elevational view thereof;

FIG. 24 is a rear elevational view thereof;

FIG. 25 is a left side elevational view thereof;

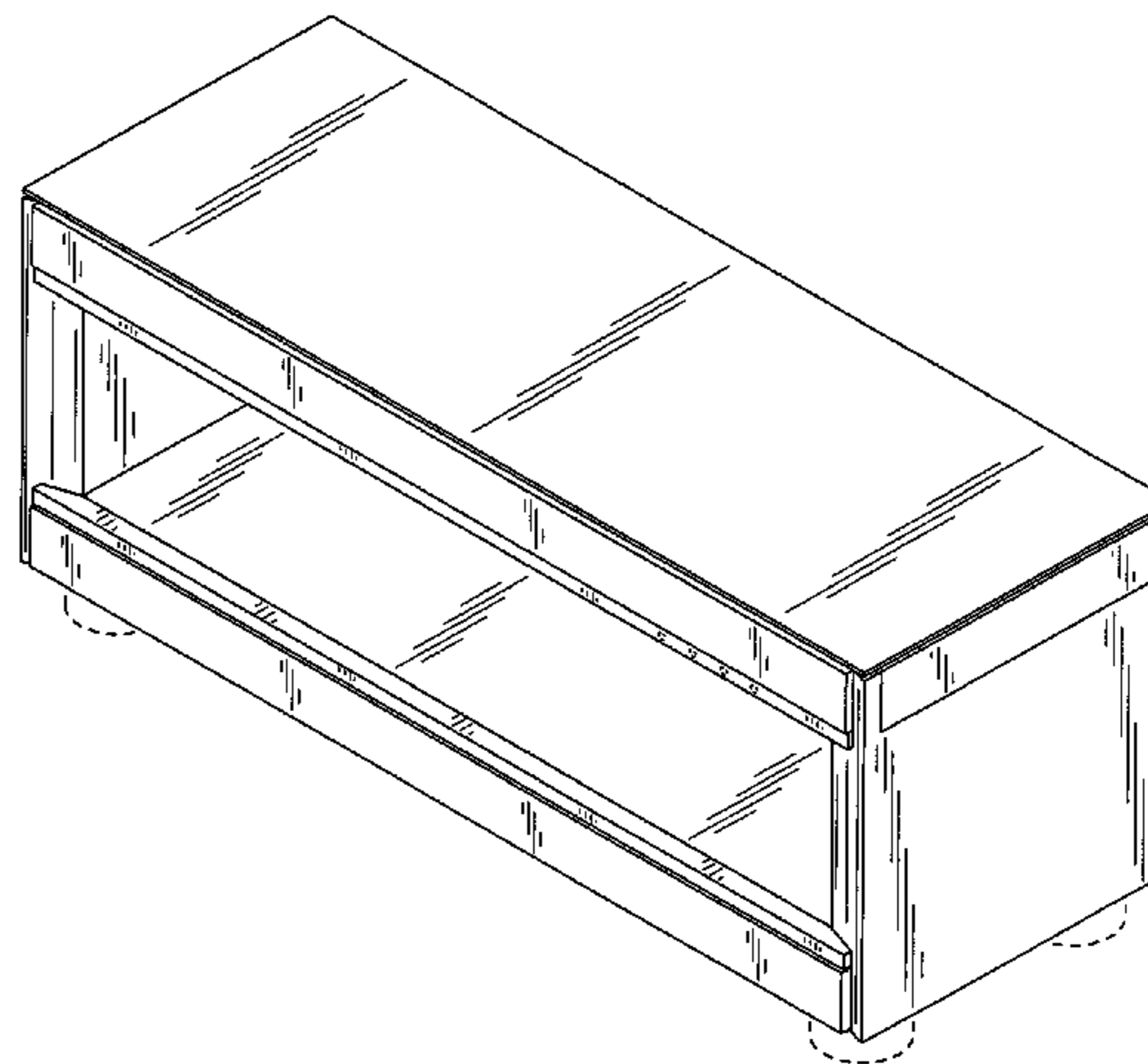
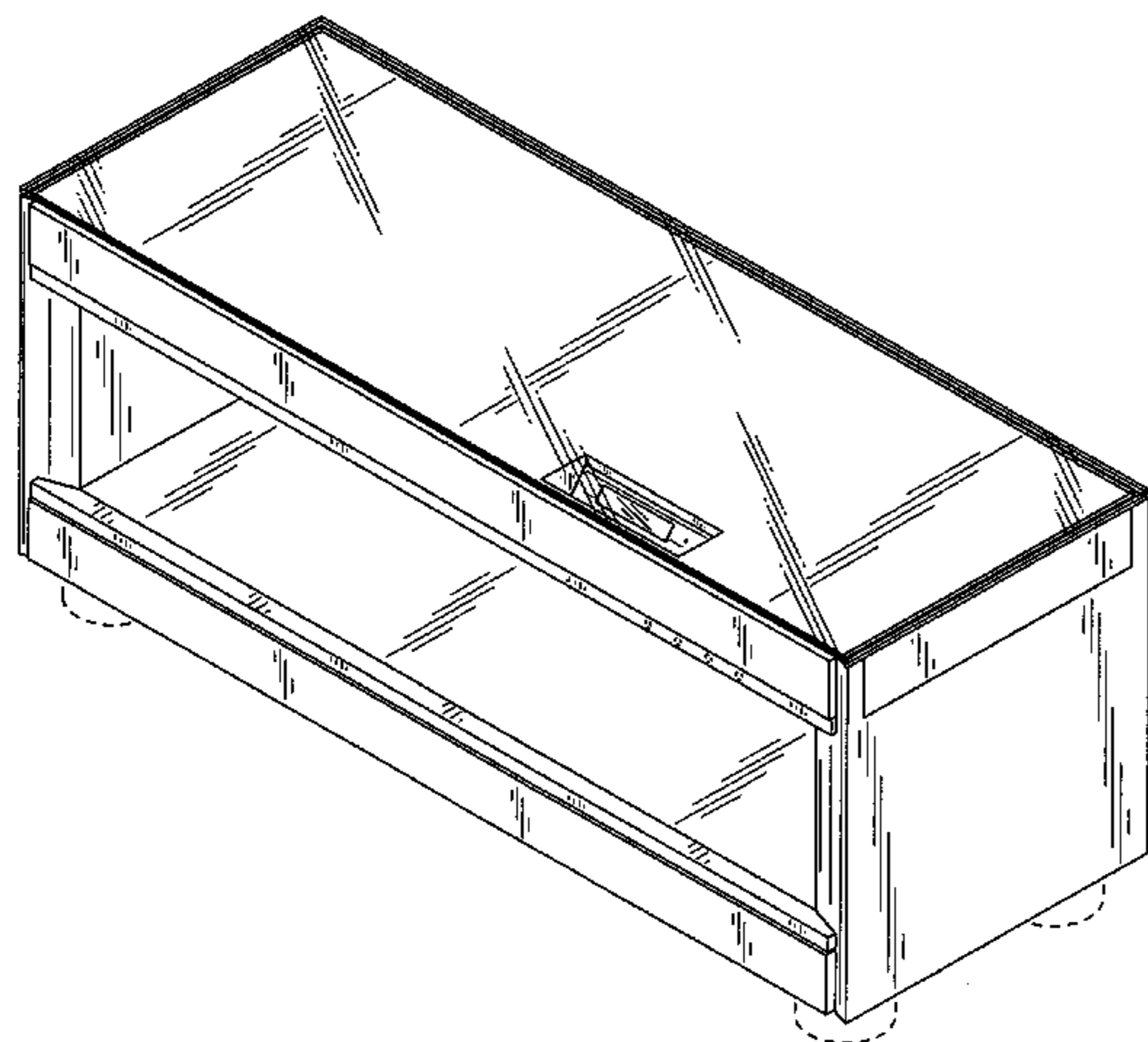
FIG. 26 is a right side elevational view thereof;

FIG. 27 is a top plan view thereof; and,

FIG. 28 is a bottom plan view thereof.

Portions of FIGS. 1-5, 7-12, 14-19, 21-26, and 28 that are shown as broken lines are for illustrative purpose only and form no part of the claimed design.

**1 Claim, 28 Drawing Sheets**



# US D571,779 S

Page 2

---

## U.S. PATENT DOCUMENTS

D267,374 S \* 12/1982 Karson ..... D6/483  
D326,199 S \* 5/1992 Heiligenthal et al. .... D6/477  
D529,314 S 10/2006 Tako  
D529,316 S 10/2006 Fujiki  
D534,379 S \* 1/2007 Juneau ..... D6/484  
2005/0238195 A1 10/2005 Furuno et al.

## FOREIGN PATENT DOCUMENTS

JP D1224919 S 12/2004  
JP D1225442 S 12/2004  
JP 2005-311988 A 11/2005  
JP D1265960 S 3/2006

\* cited by examiner

Fig.1

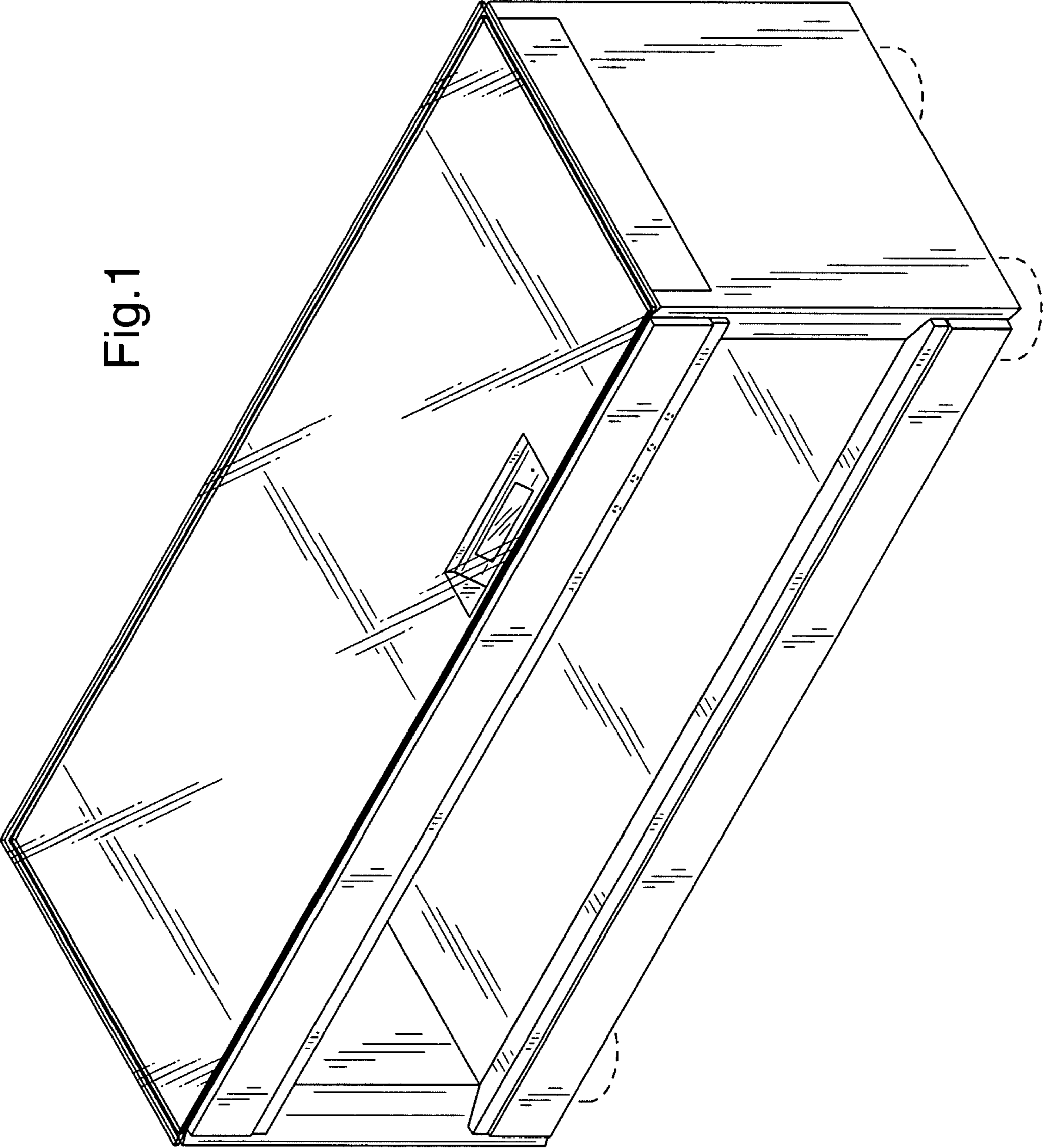


Fig.2

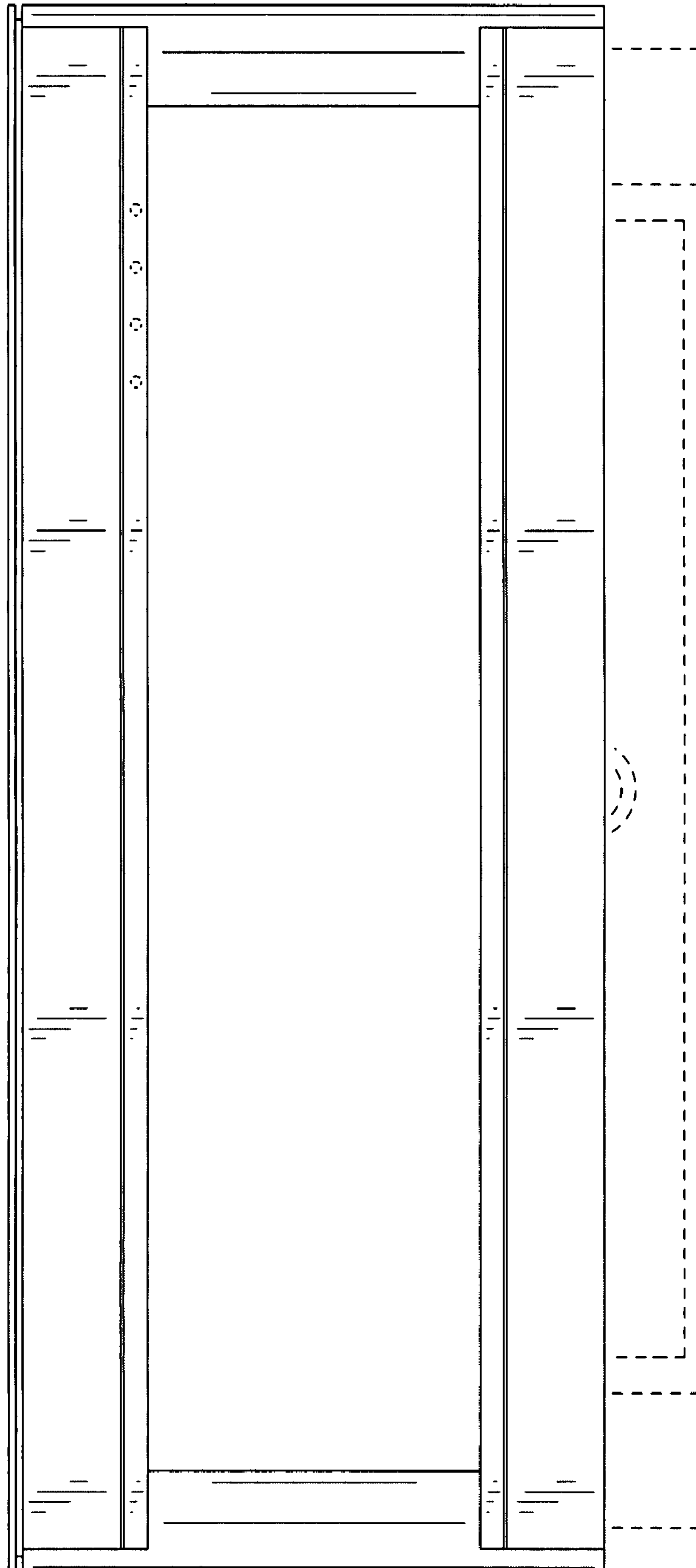


Fig.3

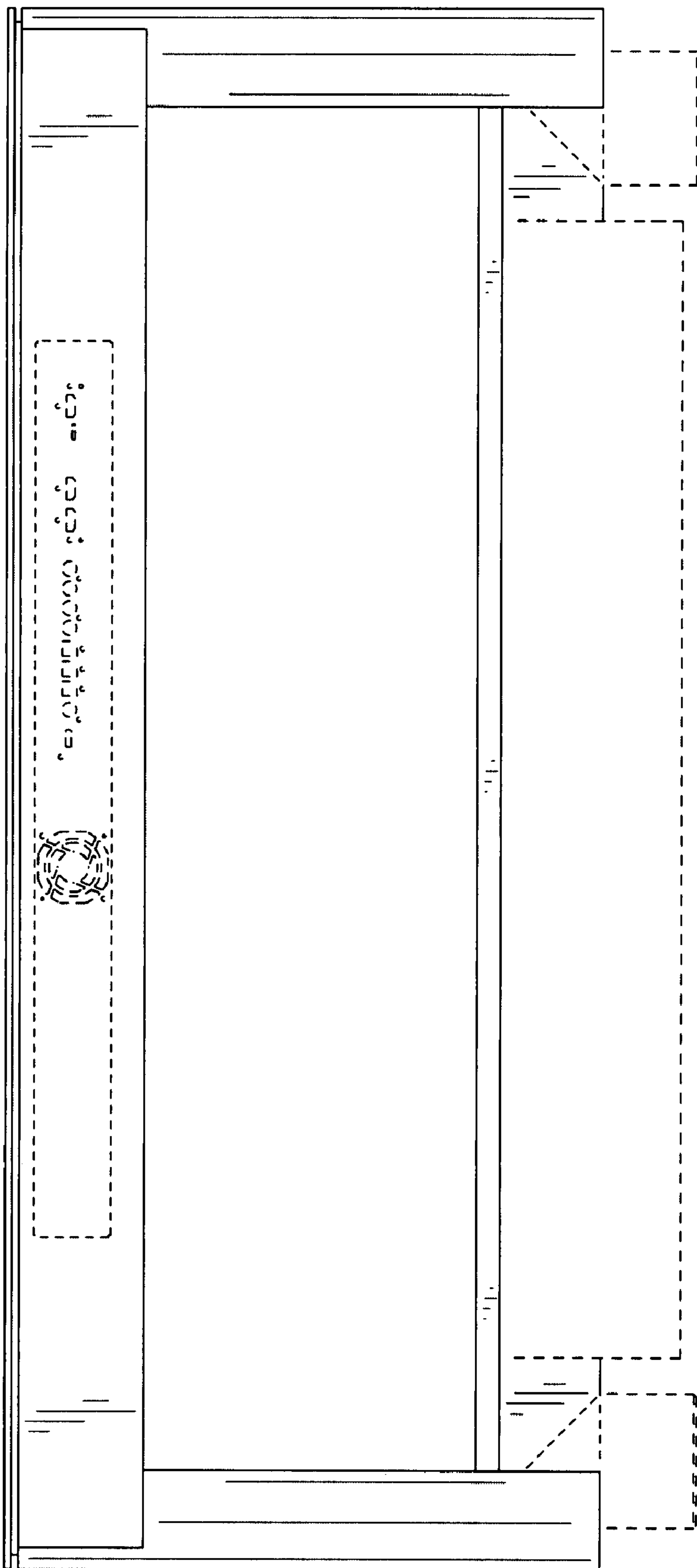


Fig. 4

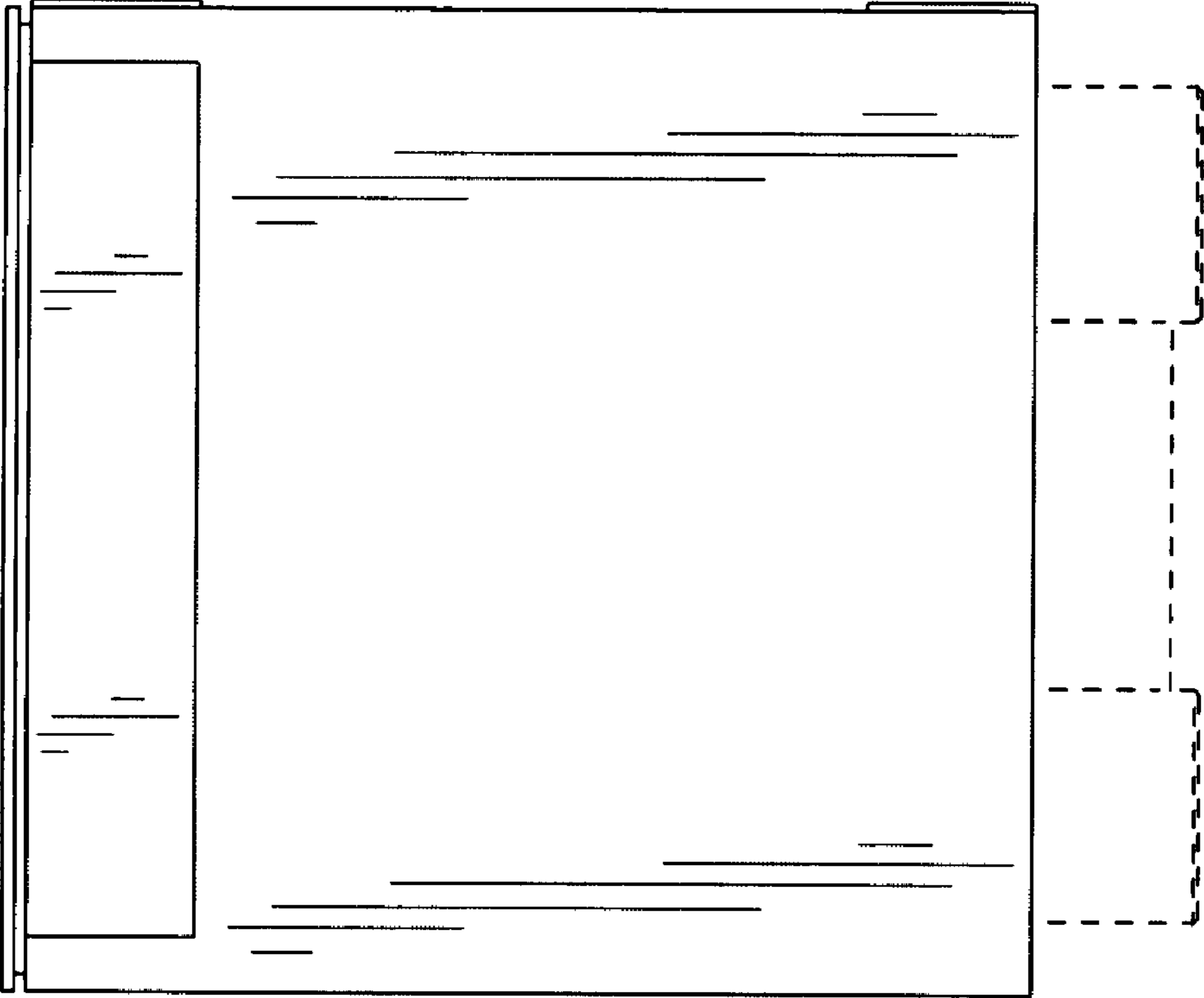


Fig.5

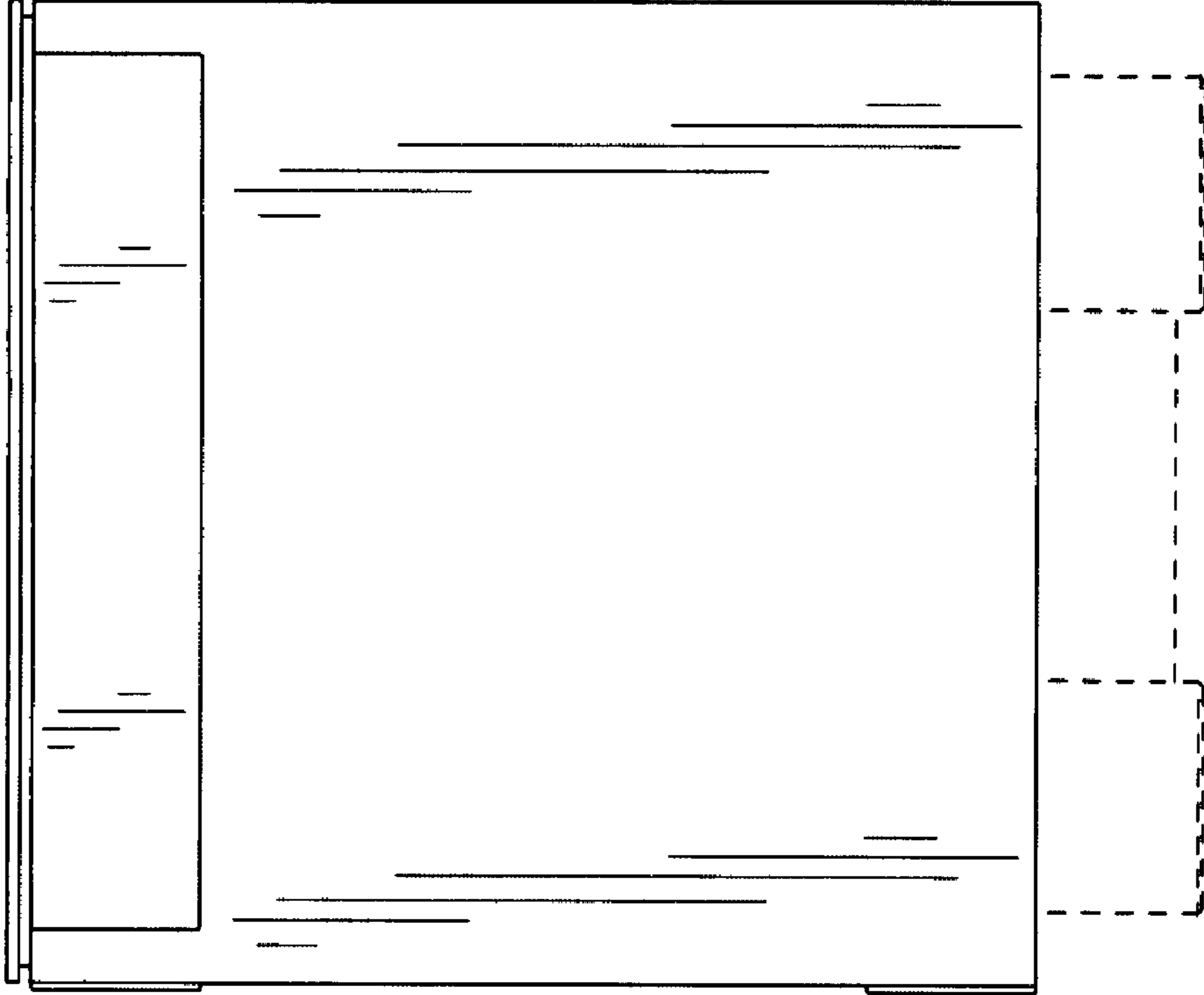


Fig.6

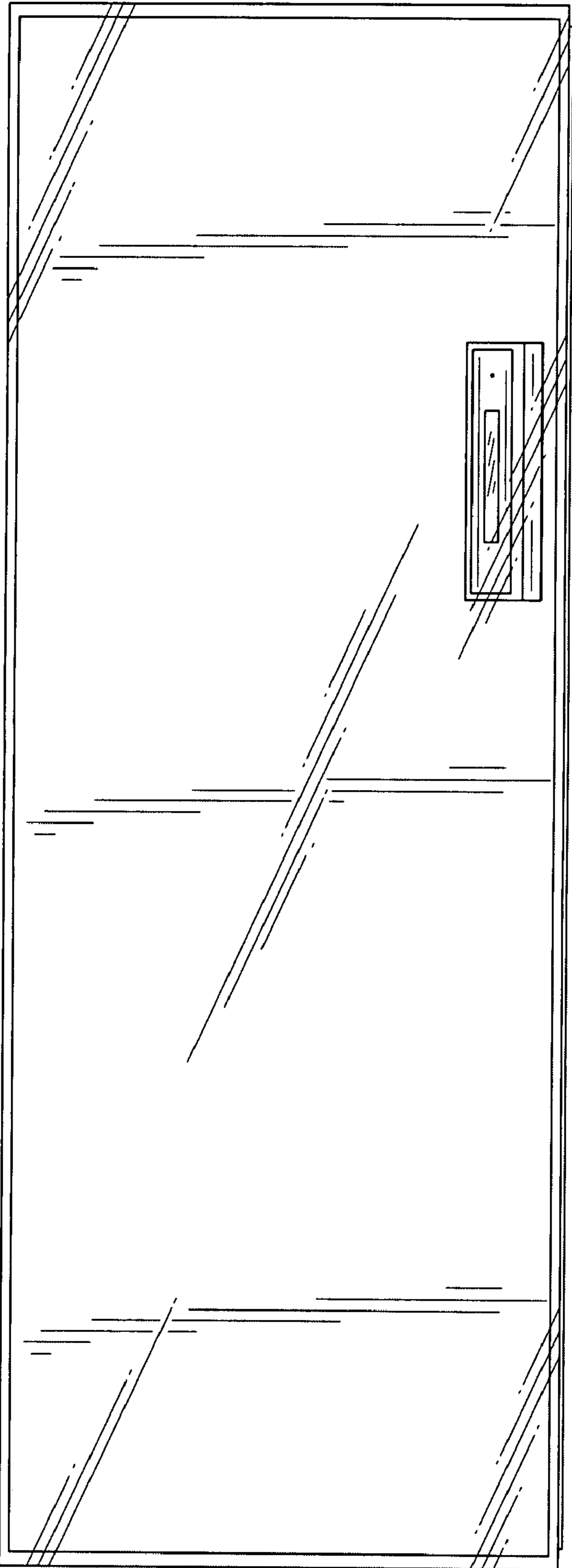




Fig.7

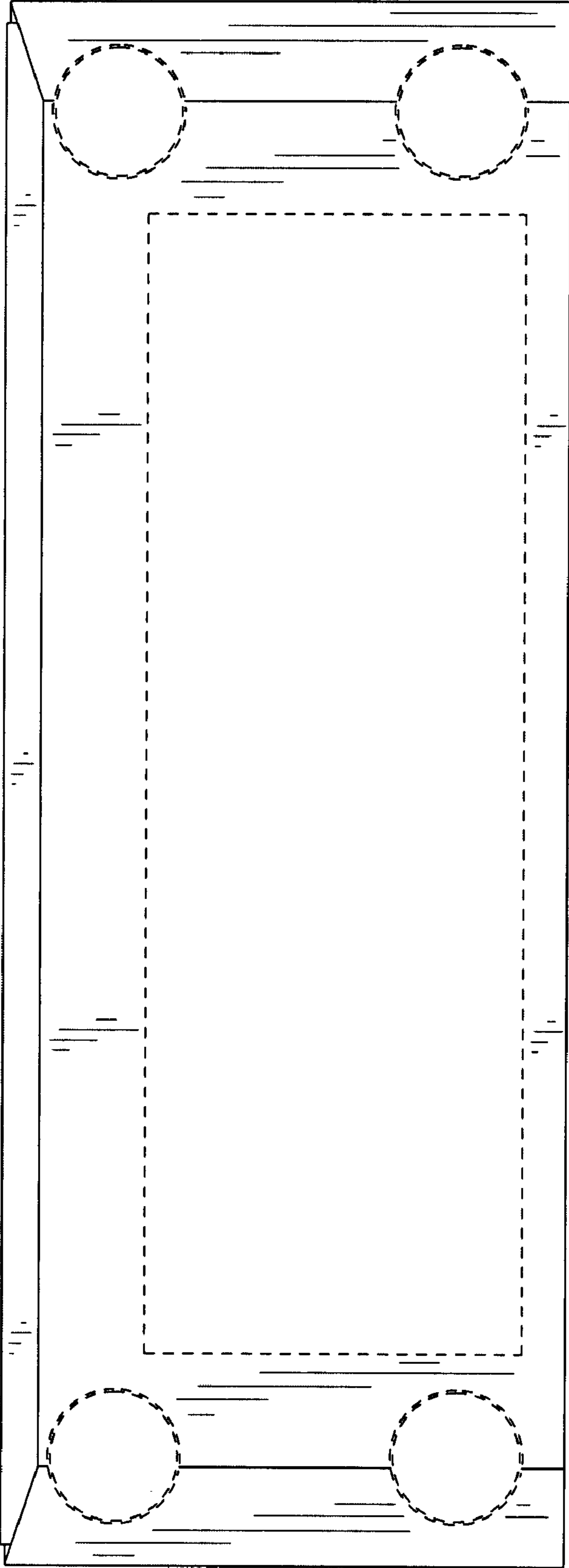


Fig.8

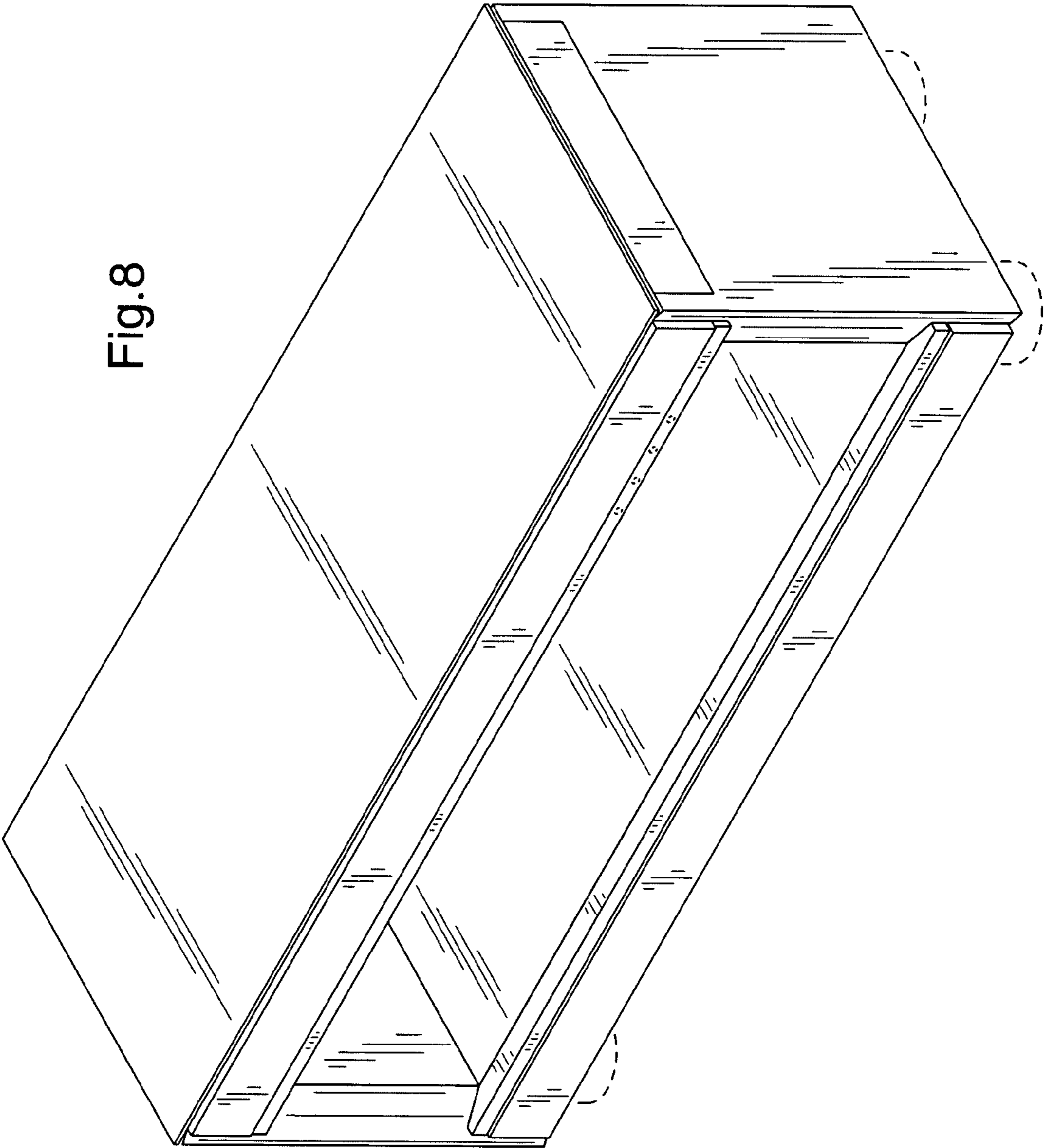


Fig.9

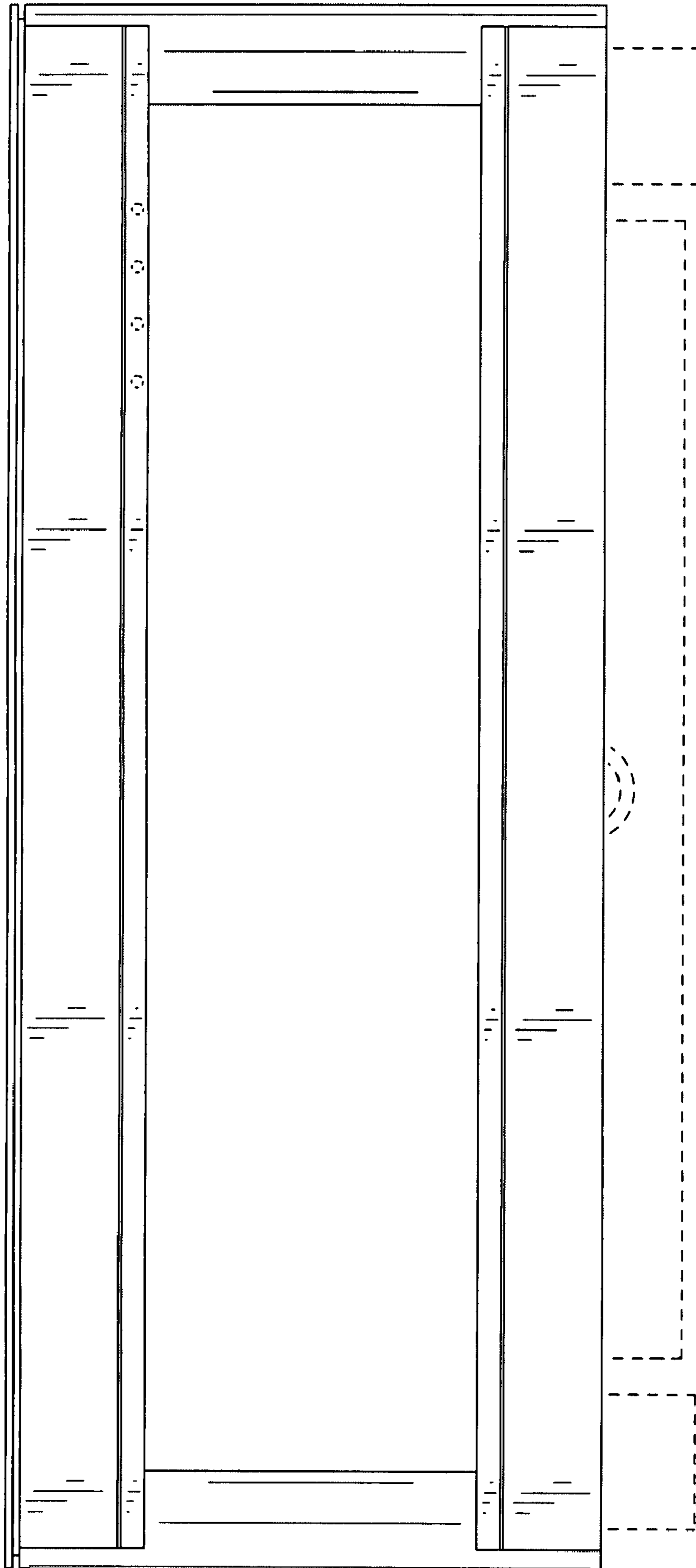


Fig.10

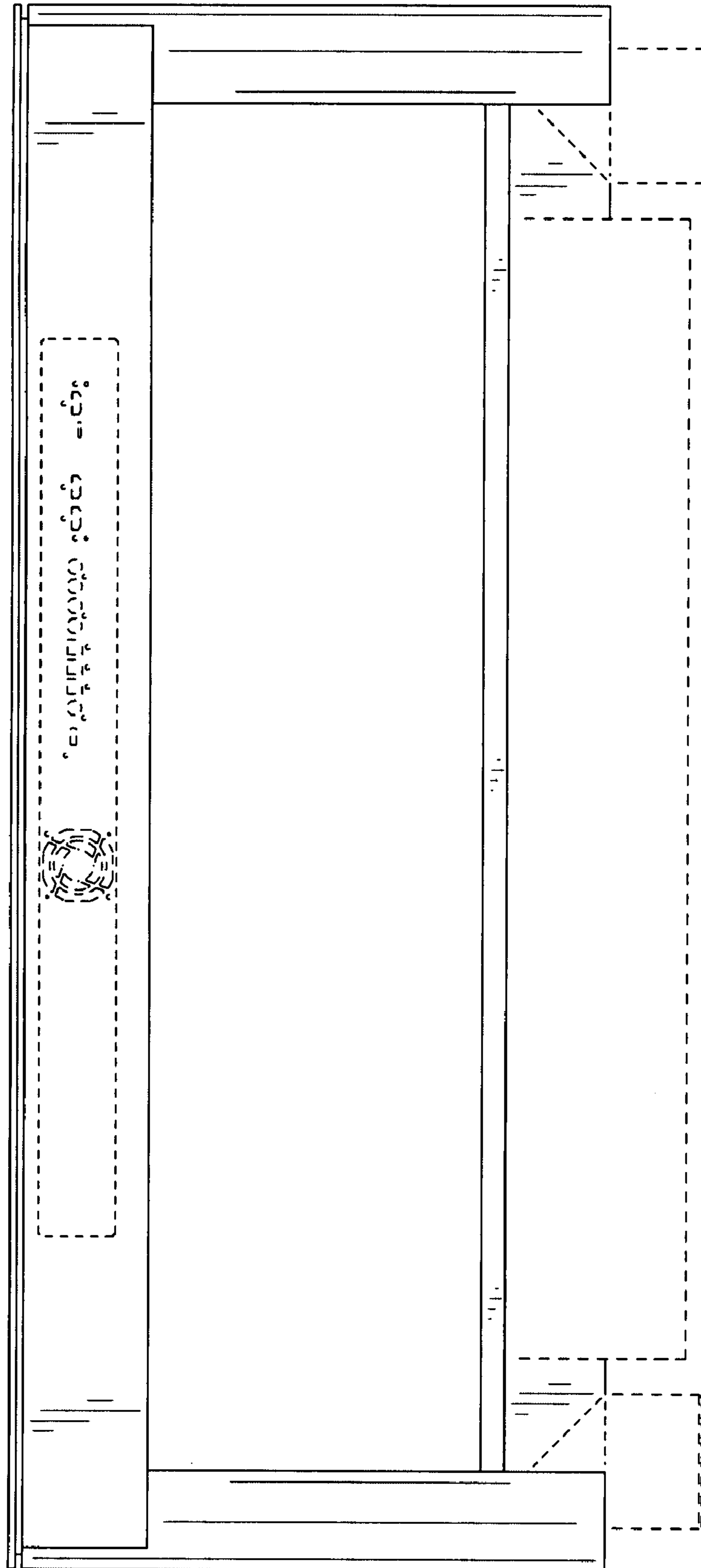


Fig.11

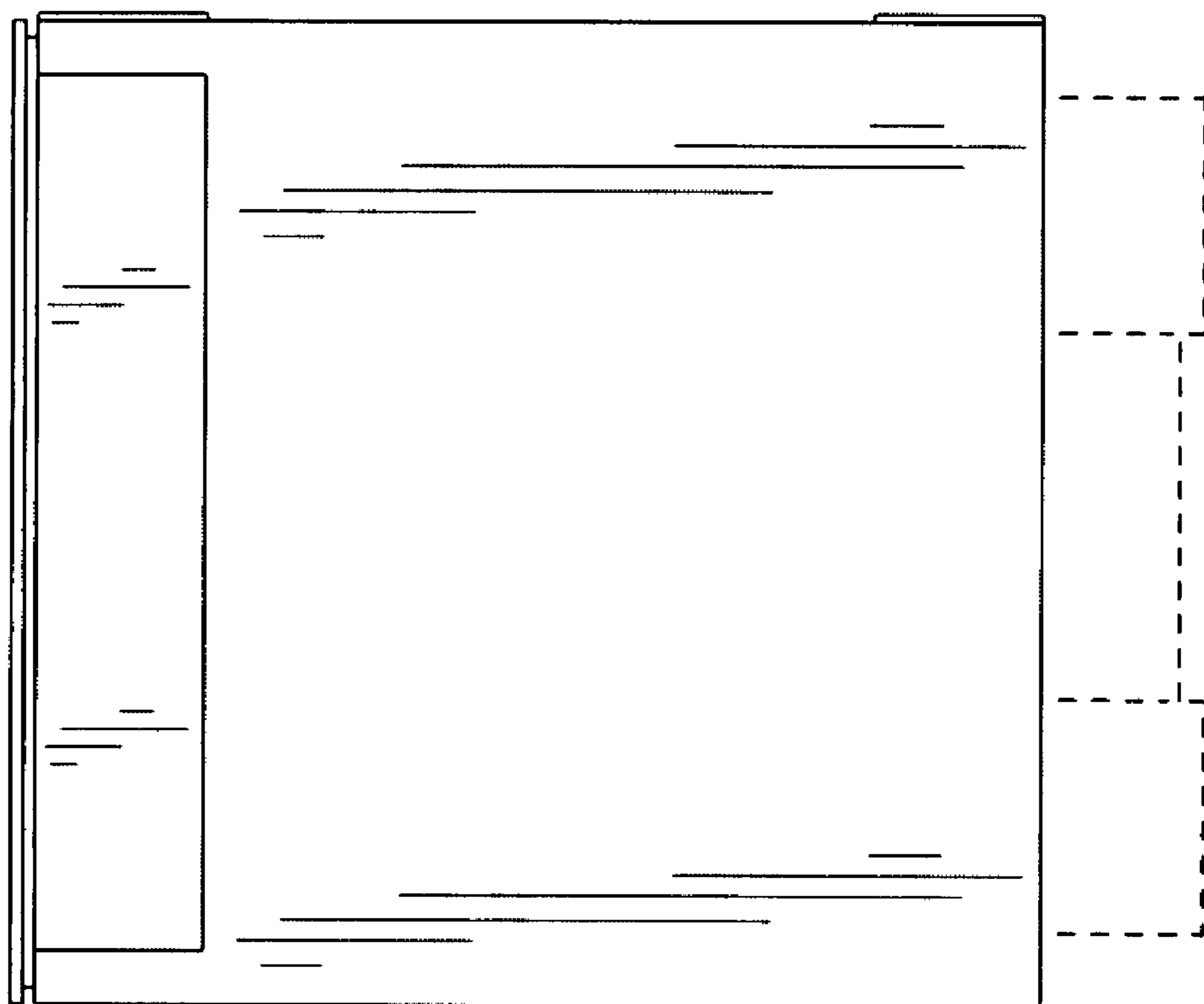


Fig.12

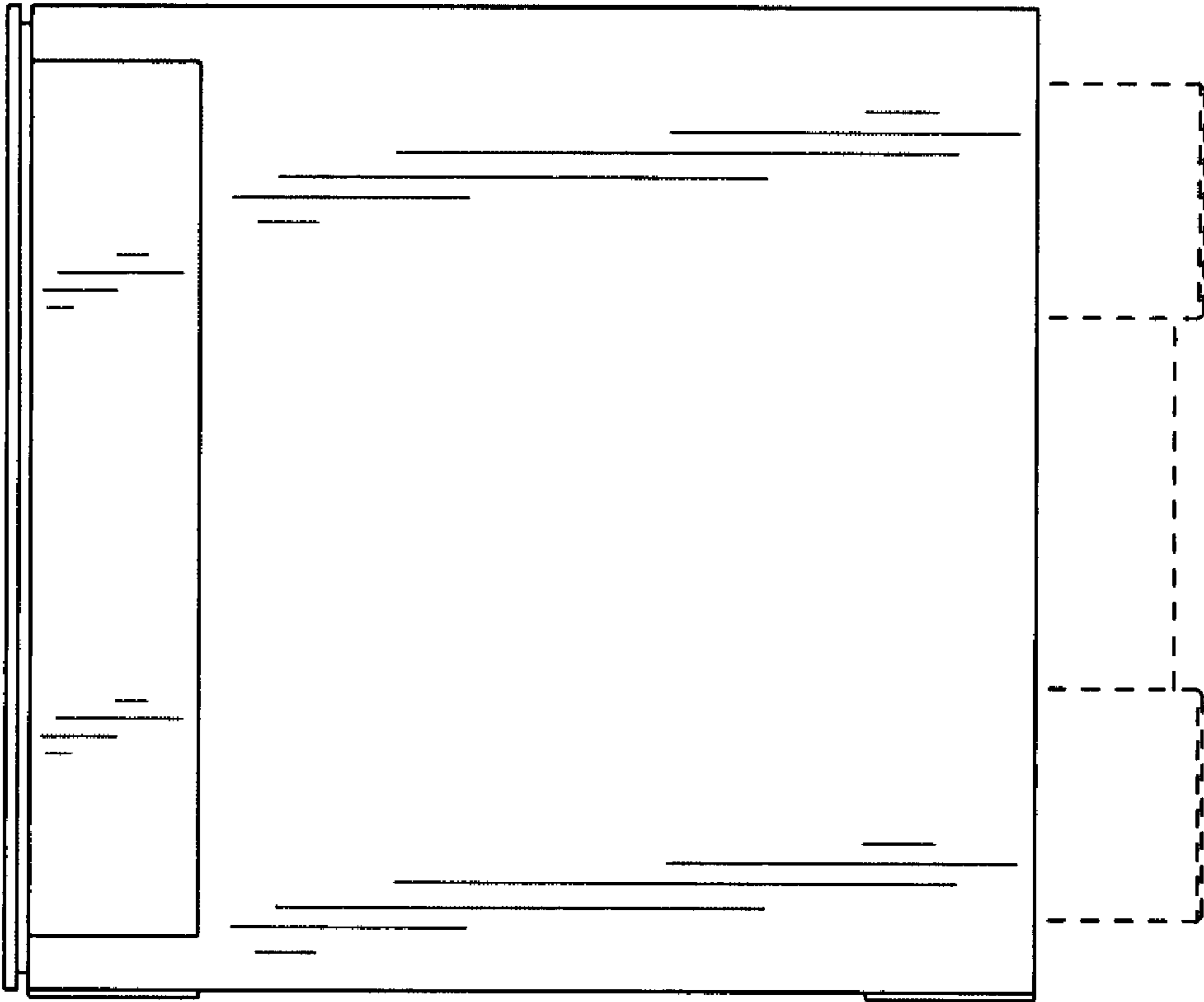


Fig. 13

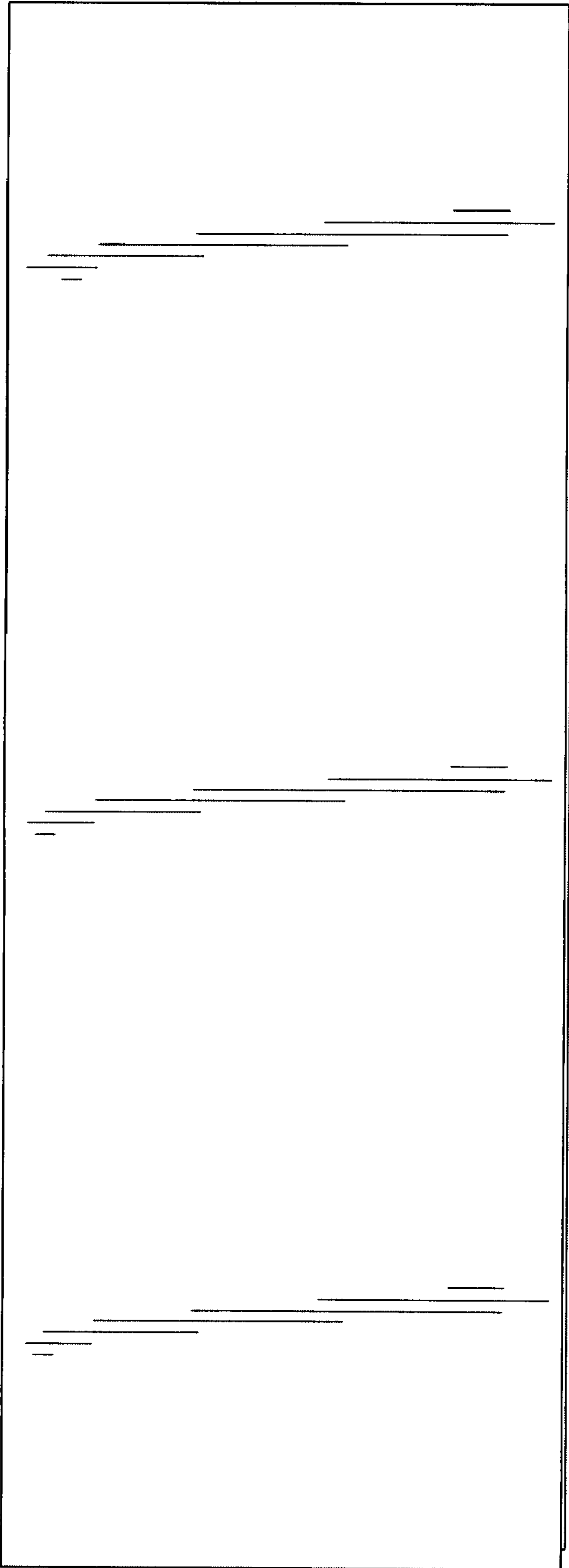


Fig.14

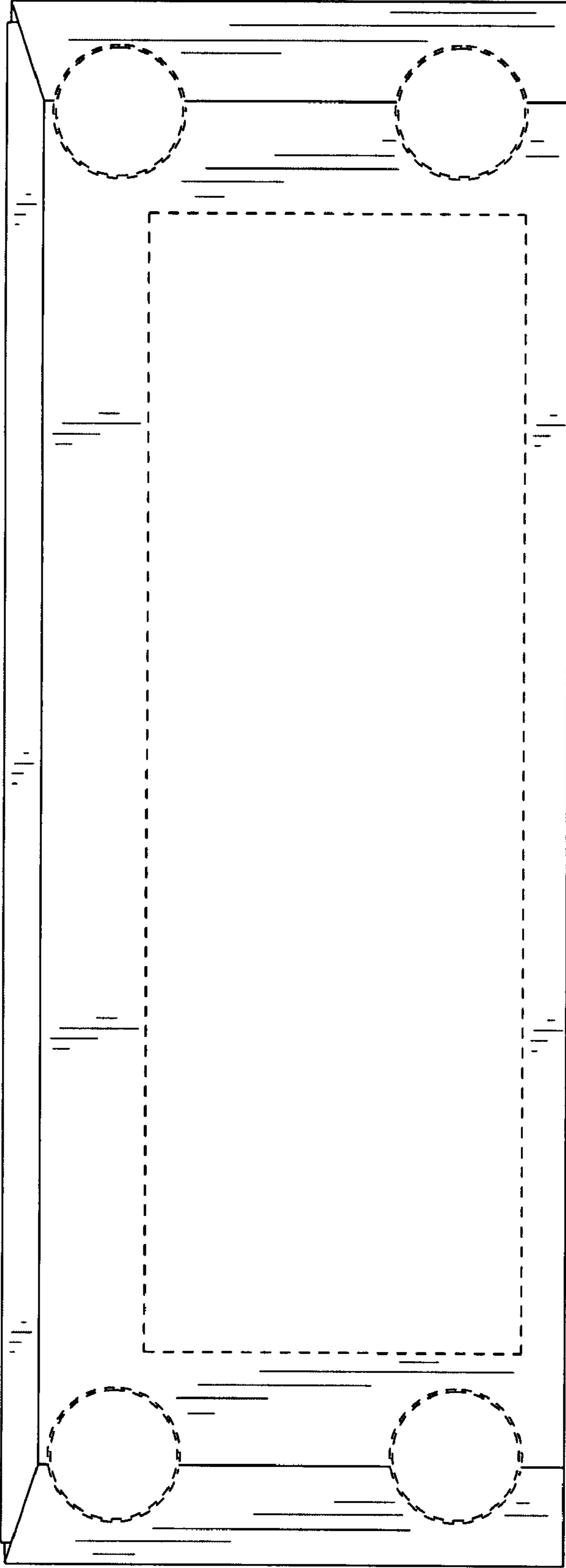




Fig.15

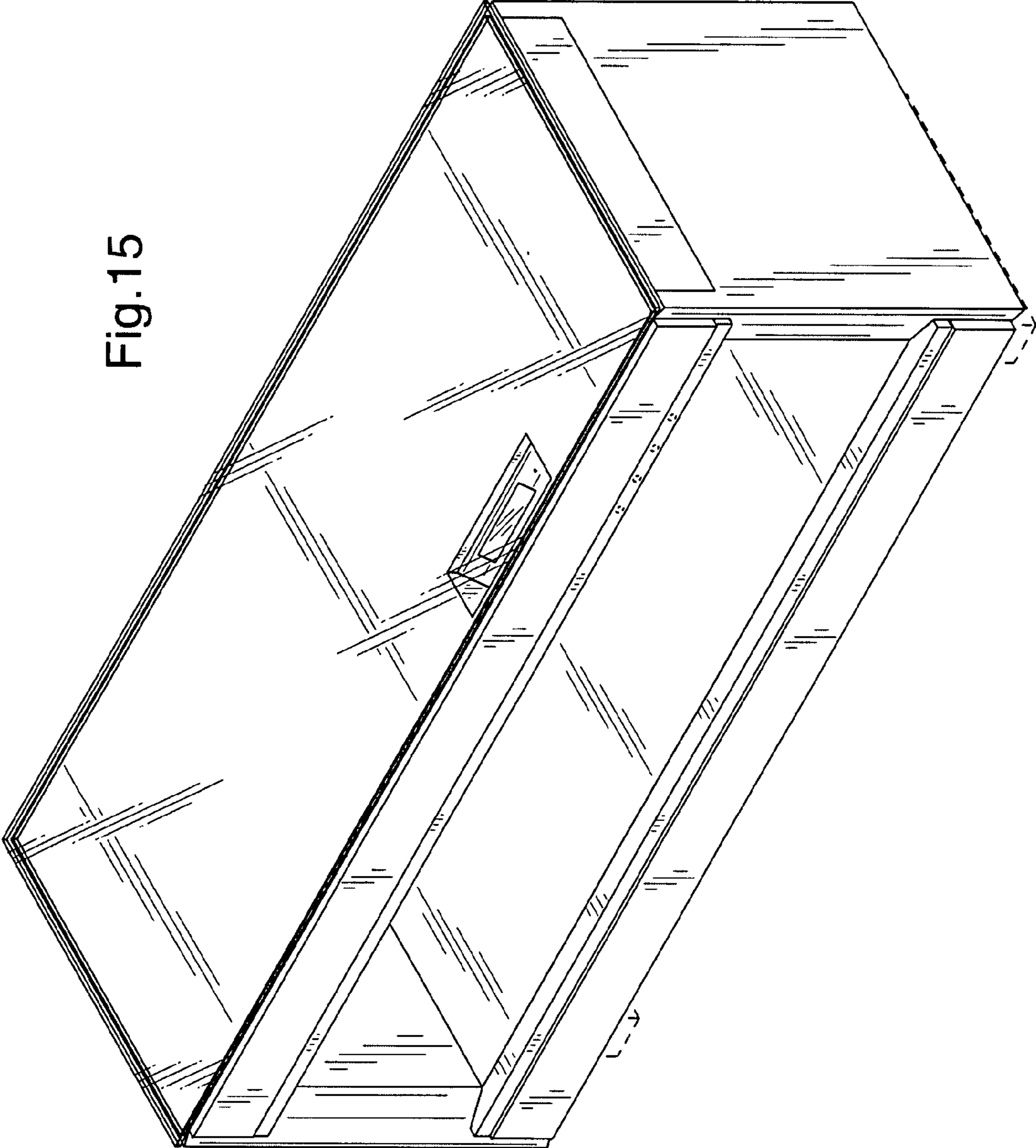


Fig. 16

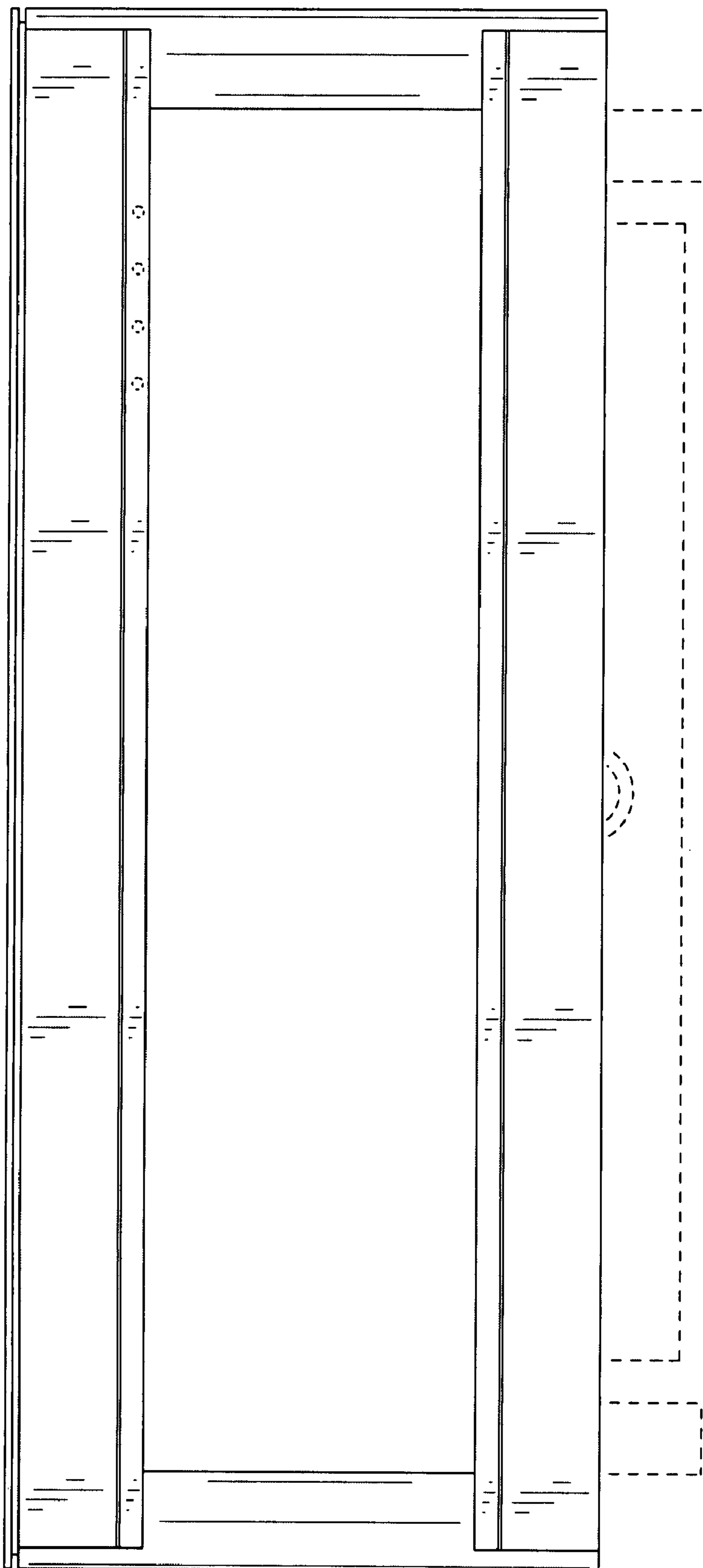


Fig.17

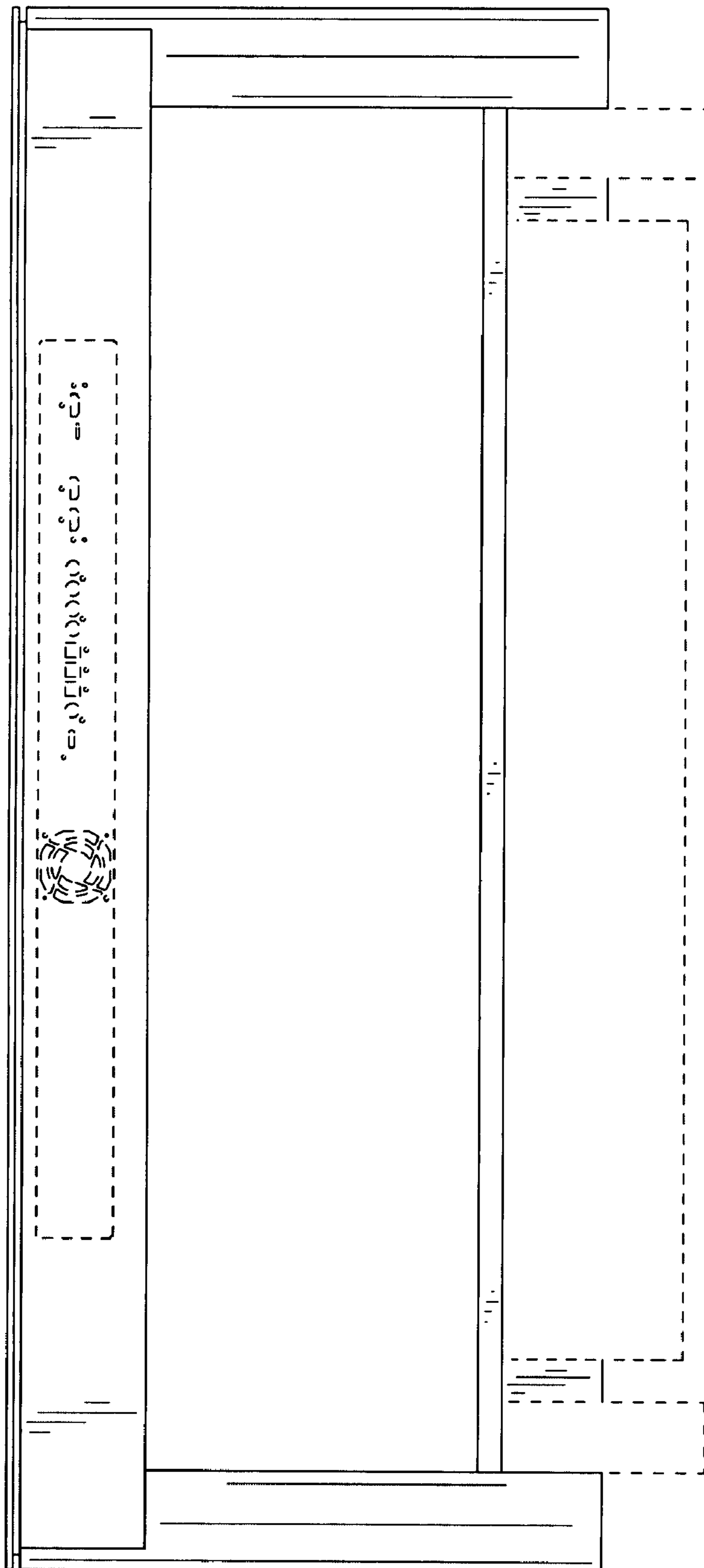


Fig. 18

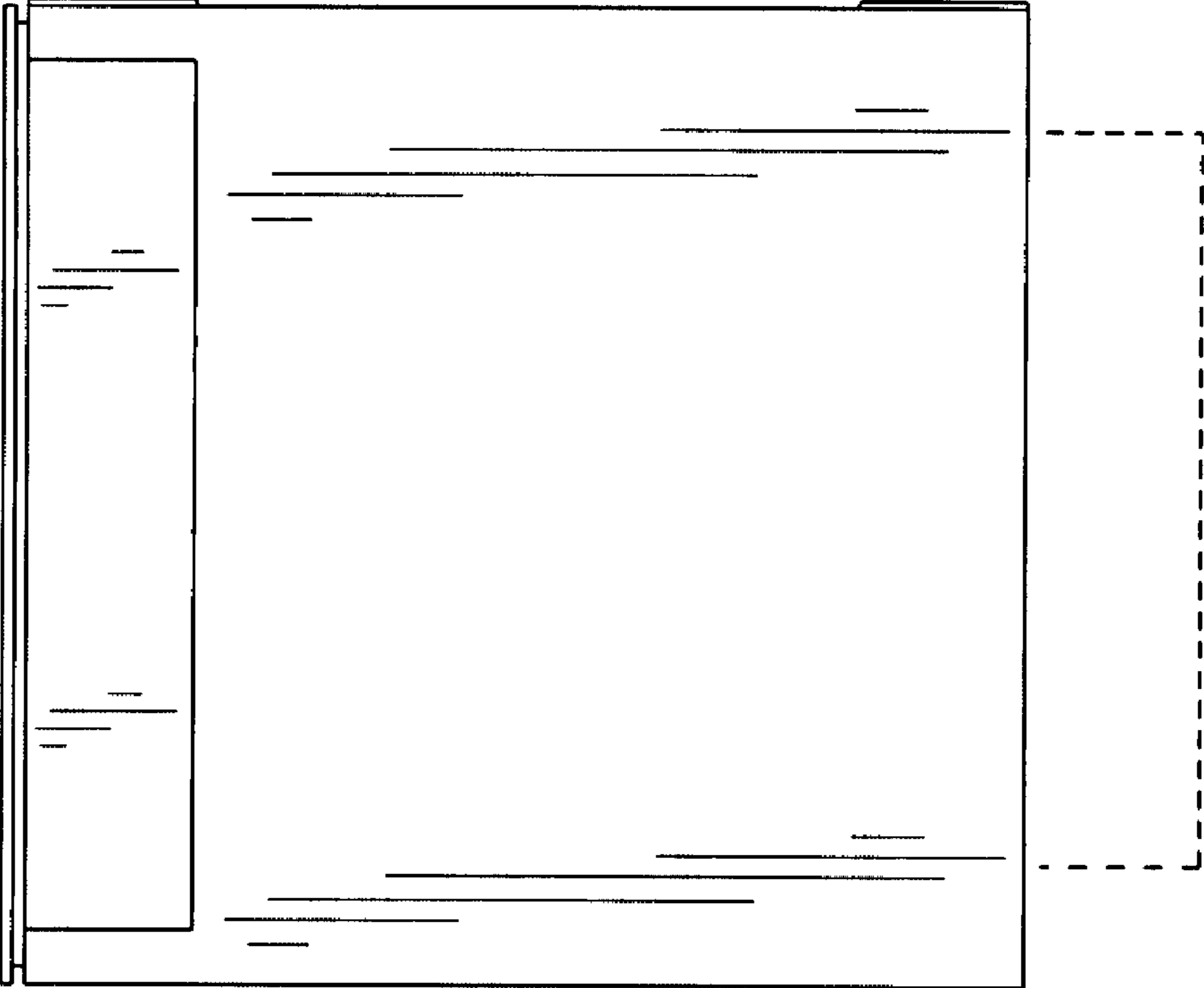


Fig. 19

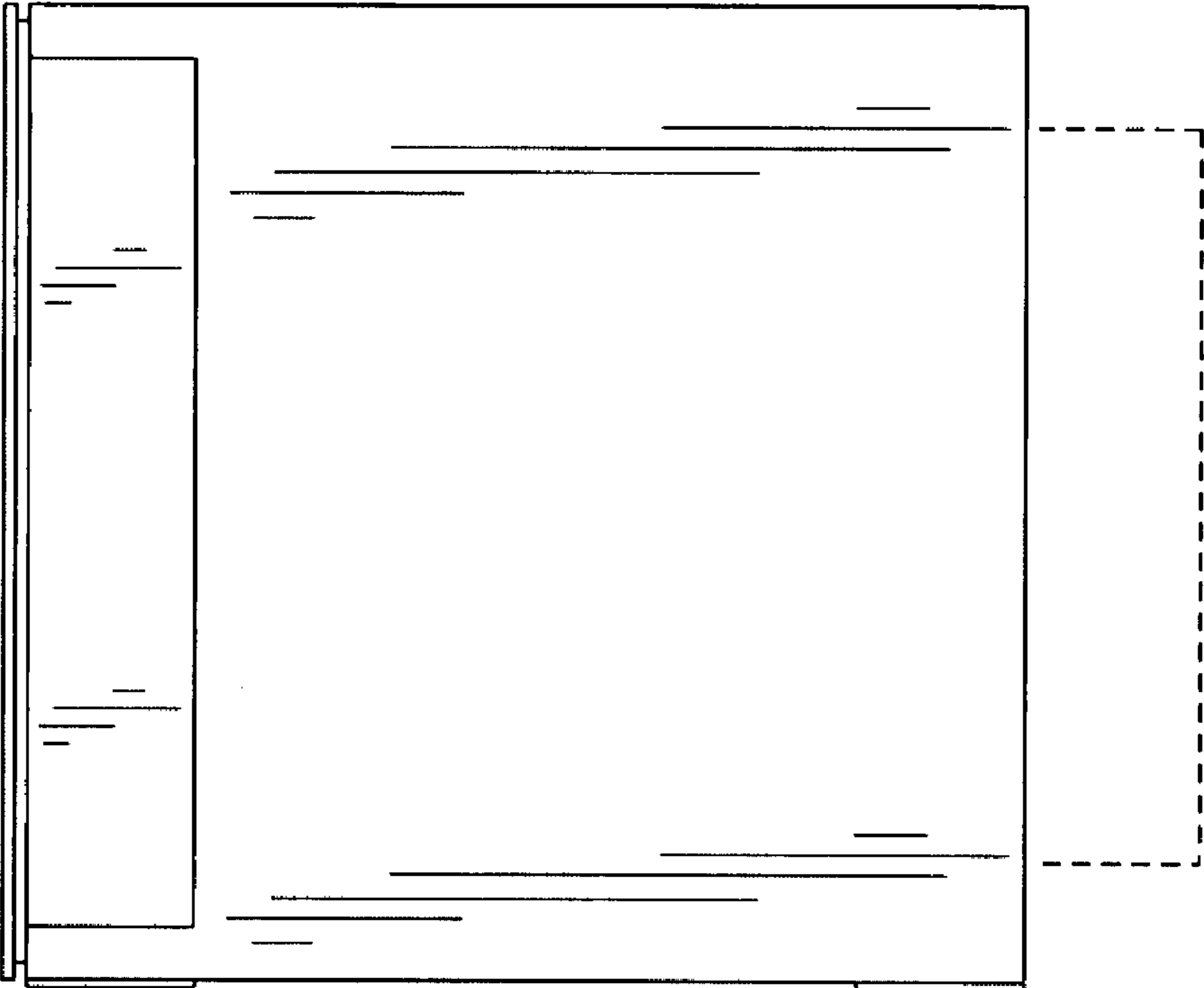


Fig.20

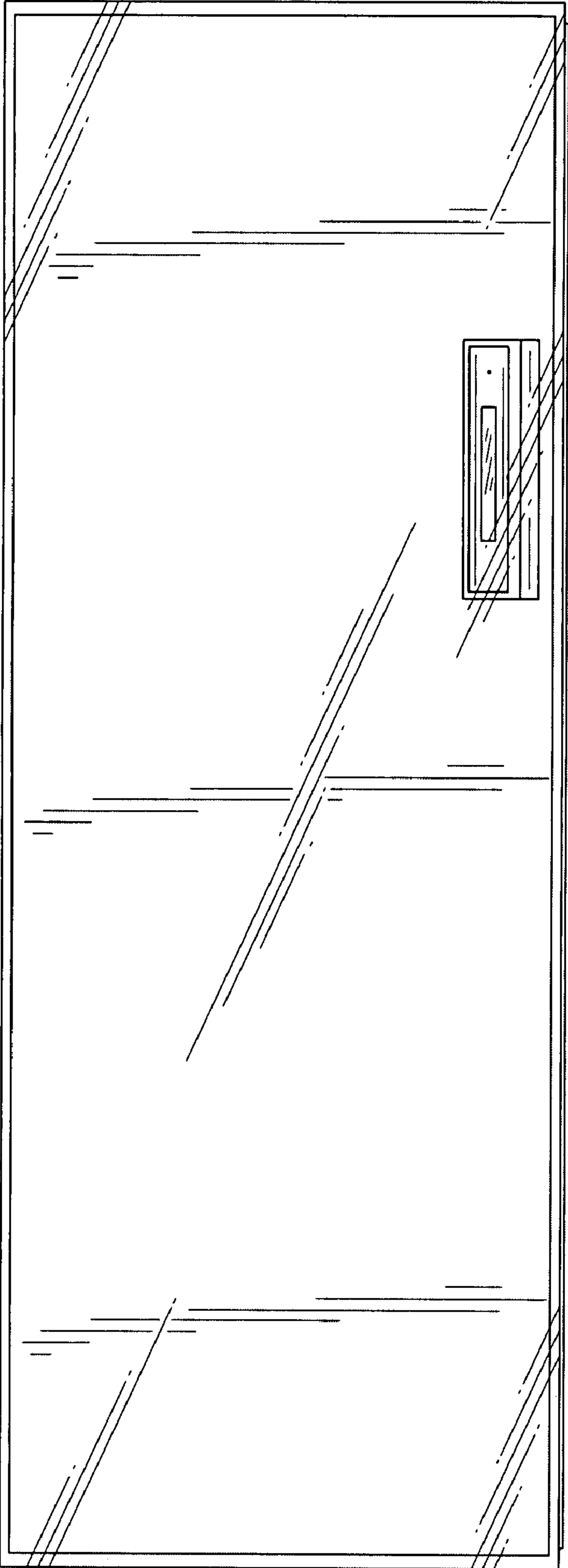


Fig.21

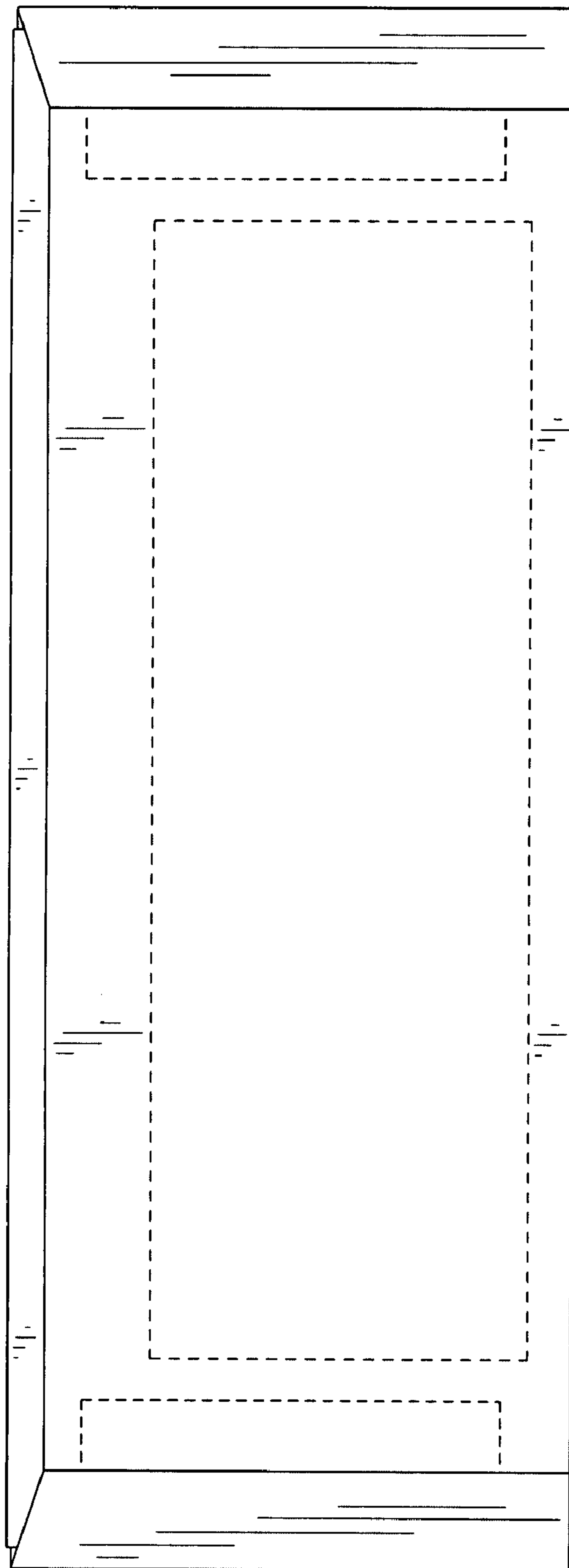


Fig.22

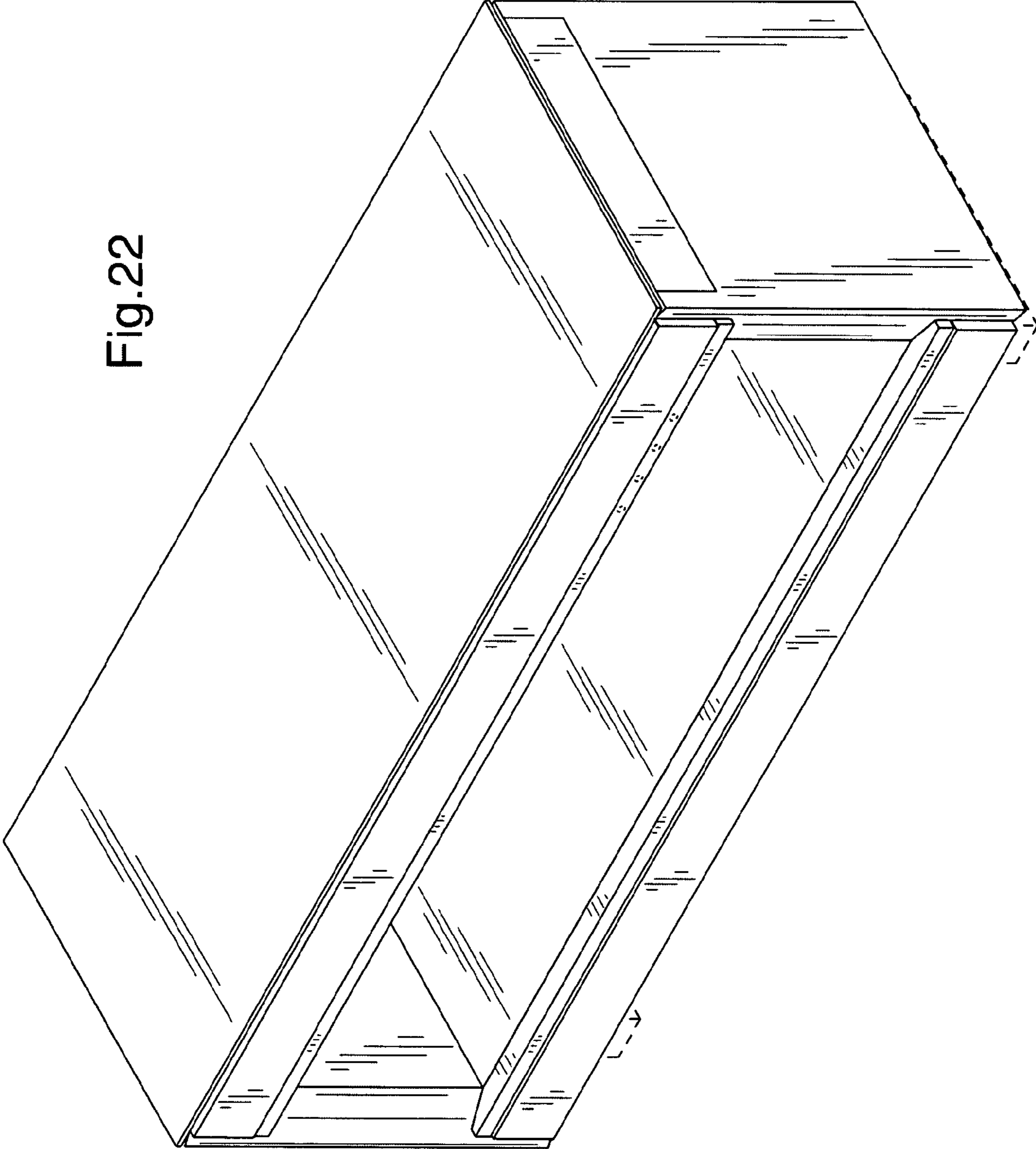




Fig. 23

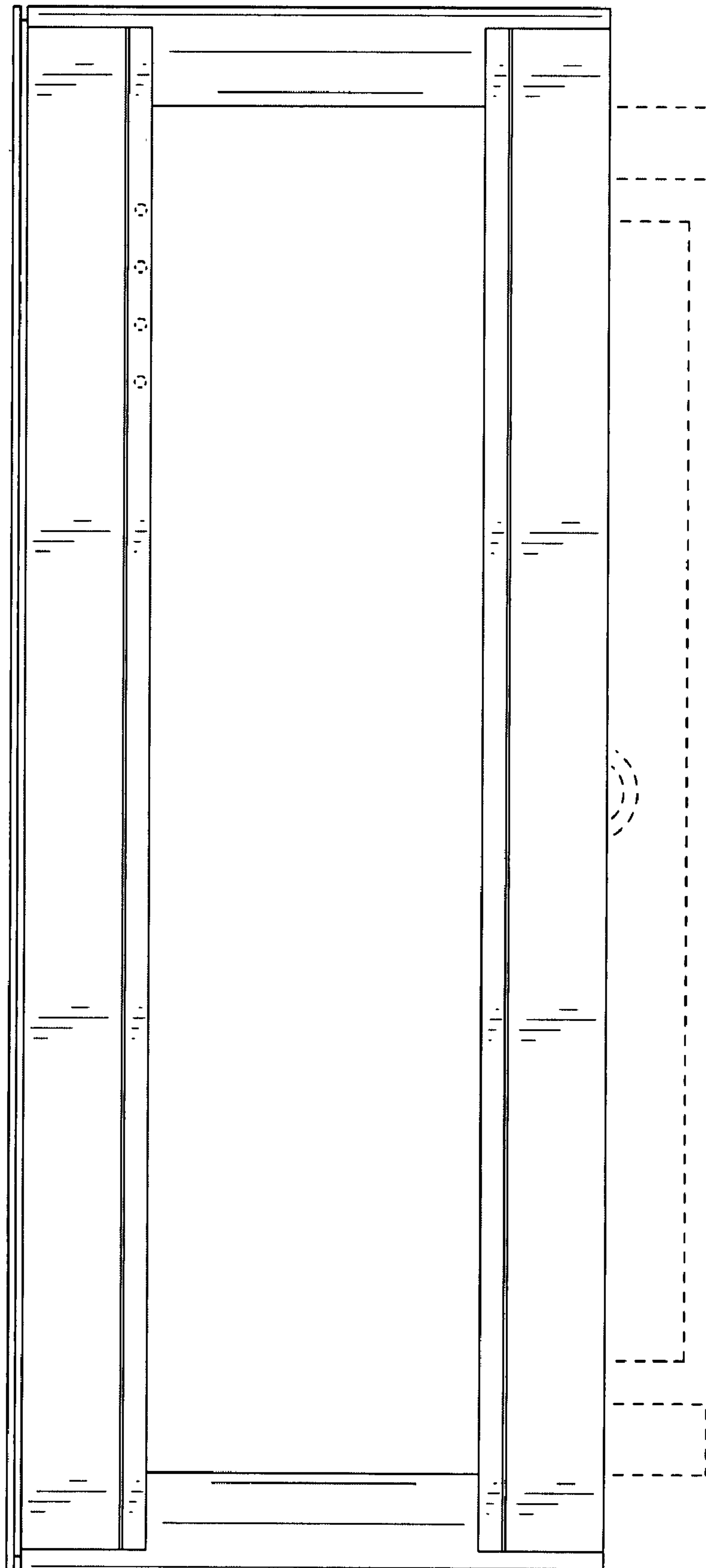


Fig.24

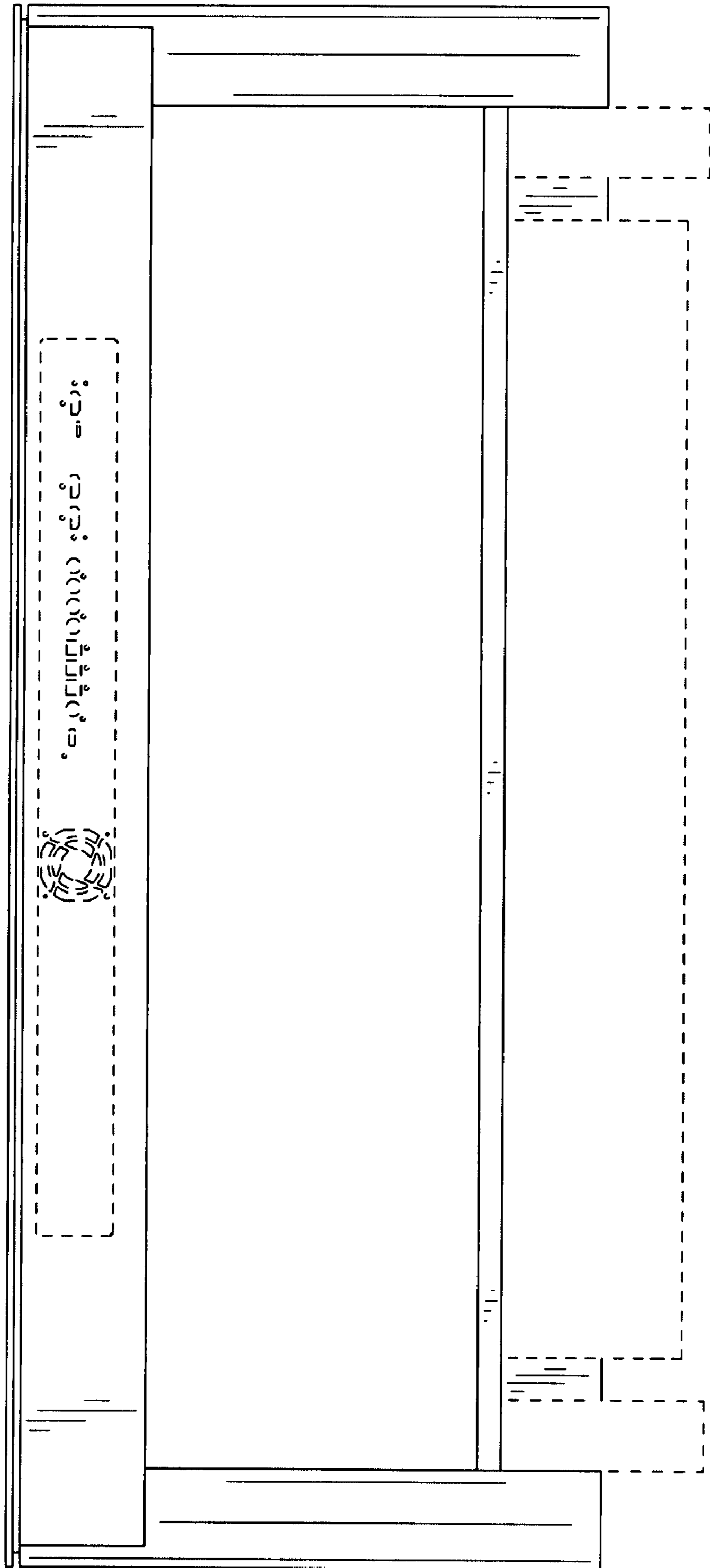


Fig. 25

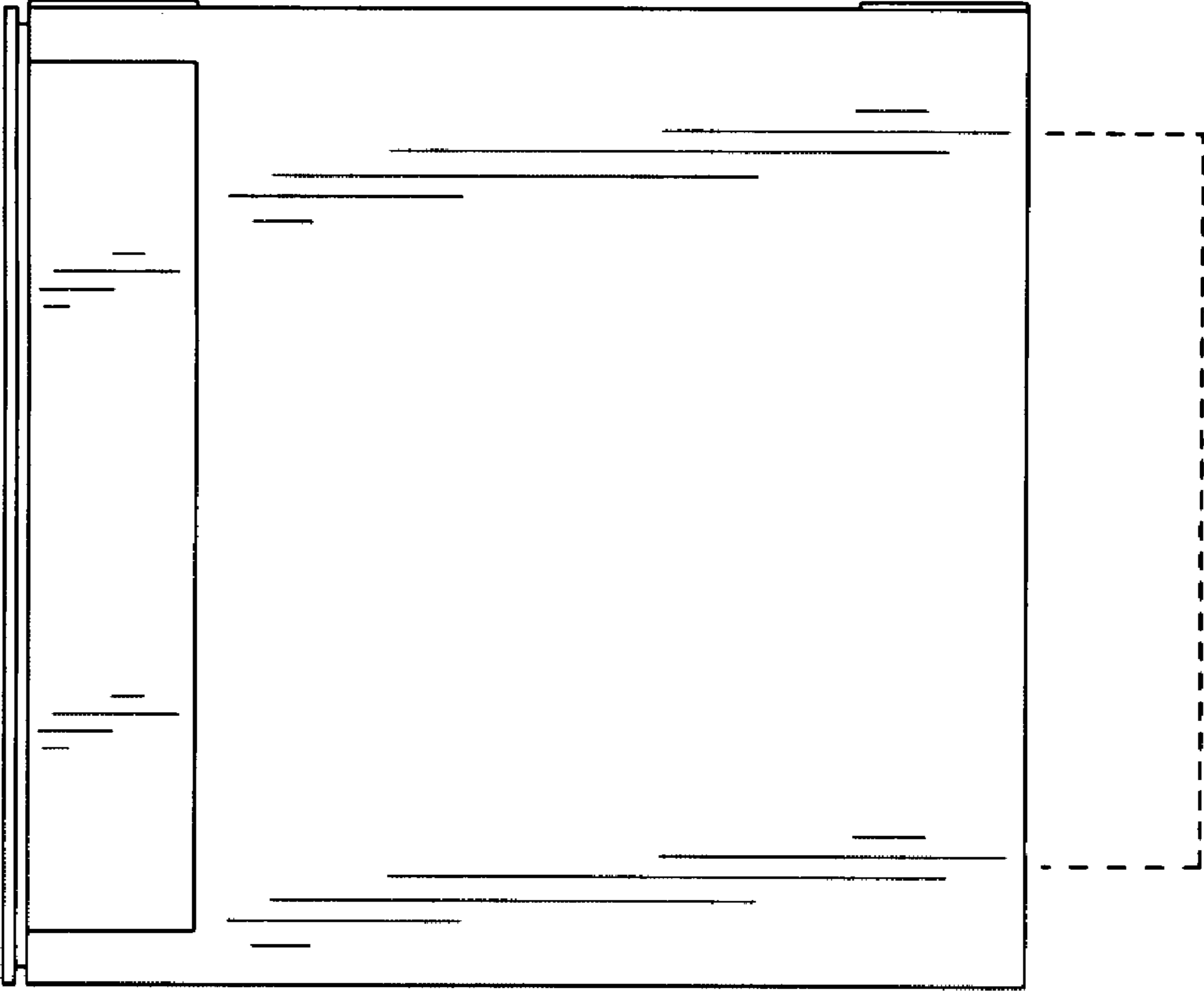


Fig.26

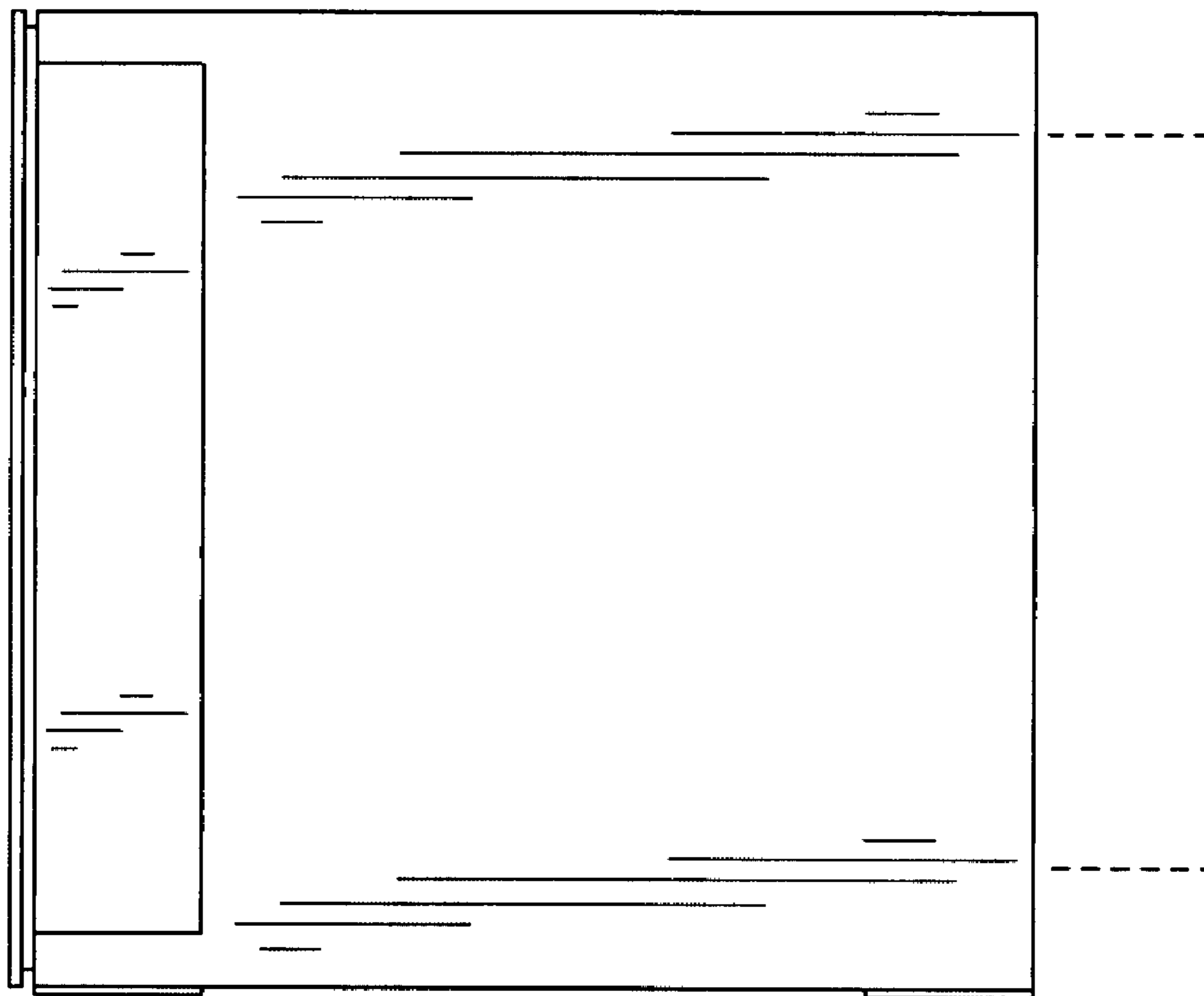


Fig.27

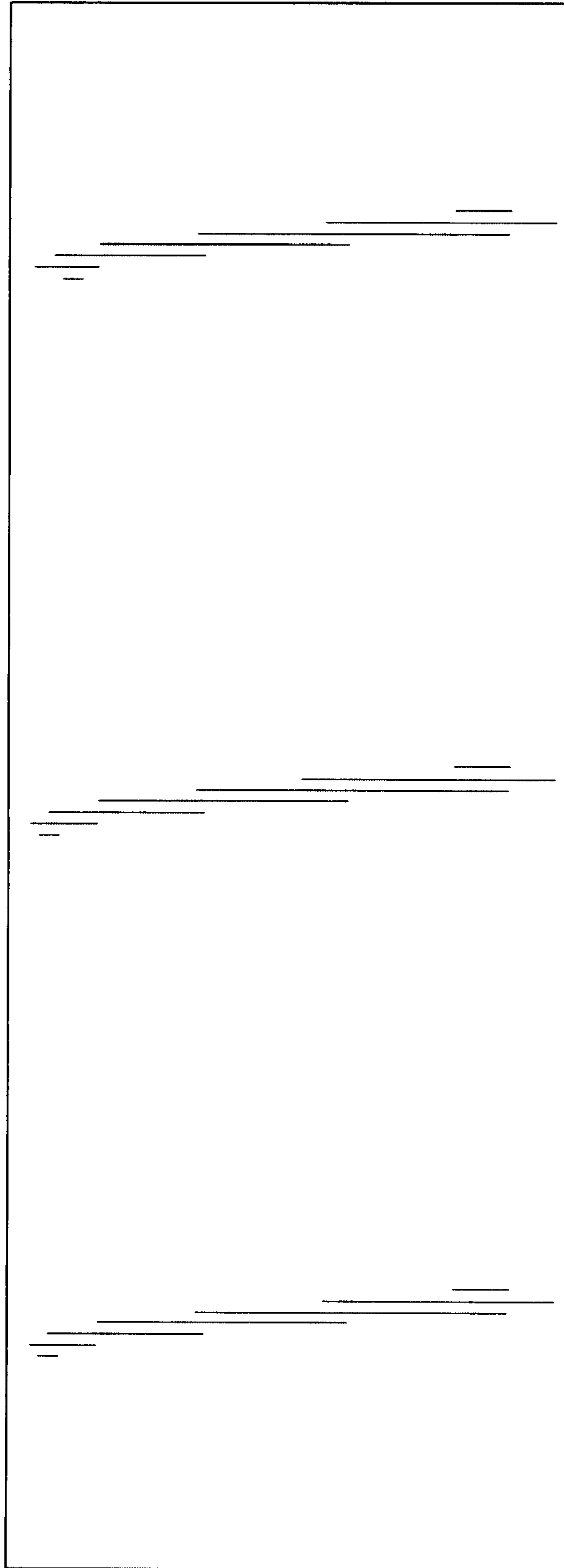


Fig.28

