

US00D571776S

(12) **United States Design Patent**
Duys et al.

(10) **Patent No.:** **US D571,776 S**
(45) **Date of Patent:** **** Jun. 24, 2008**

(54) **SPEAKERPHONE**

(75) Inventors: **Anthony M. Duys**, Merrimac, MA (US);
John O. Hansen, Andover, MA (US);
Kit Morris, Austin, TX (US); **Brad Collins**, Austin, TX (US); **Crispian Tompkin**, Los Angeles, CA (US)

(73) Assignee: **Polycom, Inc.**, Pleasanton, CA (US)

(**) Term: **14 Years**

(21) Appl. No.: **29/279,000**

(22) Filed: **Apr. 17, 2007**

(51) **LOC (8) Cl.** **14-03**

(52) **U.S. Cl.** **D14/150**

(58) **Field of Classification Search** D14/130,
D14/137, 140, 140.1, 140.8, 141.1, 141.3,
D14/142, 149–151, 158–159, 168, 171–172,
D14/188, 211, 214, 225–226, 240, 243, 251,
D14/253, 299, 434; 379/387.01, 388.02,
379/420.02, 447, 453; 381/16; D13/107–108;
191/12.2 R

See application file for complete search history.

(56) **References Cited**

U.S. PATENT DOCUMENTS

D311,541 S * 10/1990 Carre D14/240
D342,732 S 12/1993 Hinman et al.
D382,265 S 8/1997 Bradley et al.
D382,266 S 8/1997 Wakefield
D403,328 S 12/1998 Wakefield

(Continued)

FOREIGN PATENT DOCUMENTS

TW D108485 8/1994

OTHER PUBLICATIONS

XING Conference Phone for Skype, <URL: www.ipevo.com>,
retrieved from internet Jan. 31, 2008.*

Polycom VoiceStation 300, <URL:www.101Phones.com>, retrieved from internet Jan. 31, 2008.*

Polycom SoundStation2, <URL:www.101Phones.com>, retrieved from internet Jan. 31, 2008.*

Search Report from ROC (Taiwan) New Design Patent Application No. 096302250 and translation, dated Jan. 25, 2008.

Primary Examiner—Ian Simmons

Assistant Examiner—Carla Wright

(74) *Attorney, Agent, or Firm*—Wong, Cabello, Lutsch, Rutherford, & Brucculeri, LLP

(57) **CLAIM**

The ornamental design for a speakerphone, as shown and described.

DESCRIPTION

FIG. 1 is a perspective view showing the top, front, and right side of a speakerphone according to a new design;

FIG. 2 is a top plan view of the speakerphone shown in FIG. 1;

FIG. 3 is a front elevational view of the speakerphone shown in FIG. 1;

FIG. 4 is a rear elevational view of the speakerphone shown in FIG. 1;

FIG. 5 is a left side elevational view of the speakerphone shown in FIG. 1;

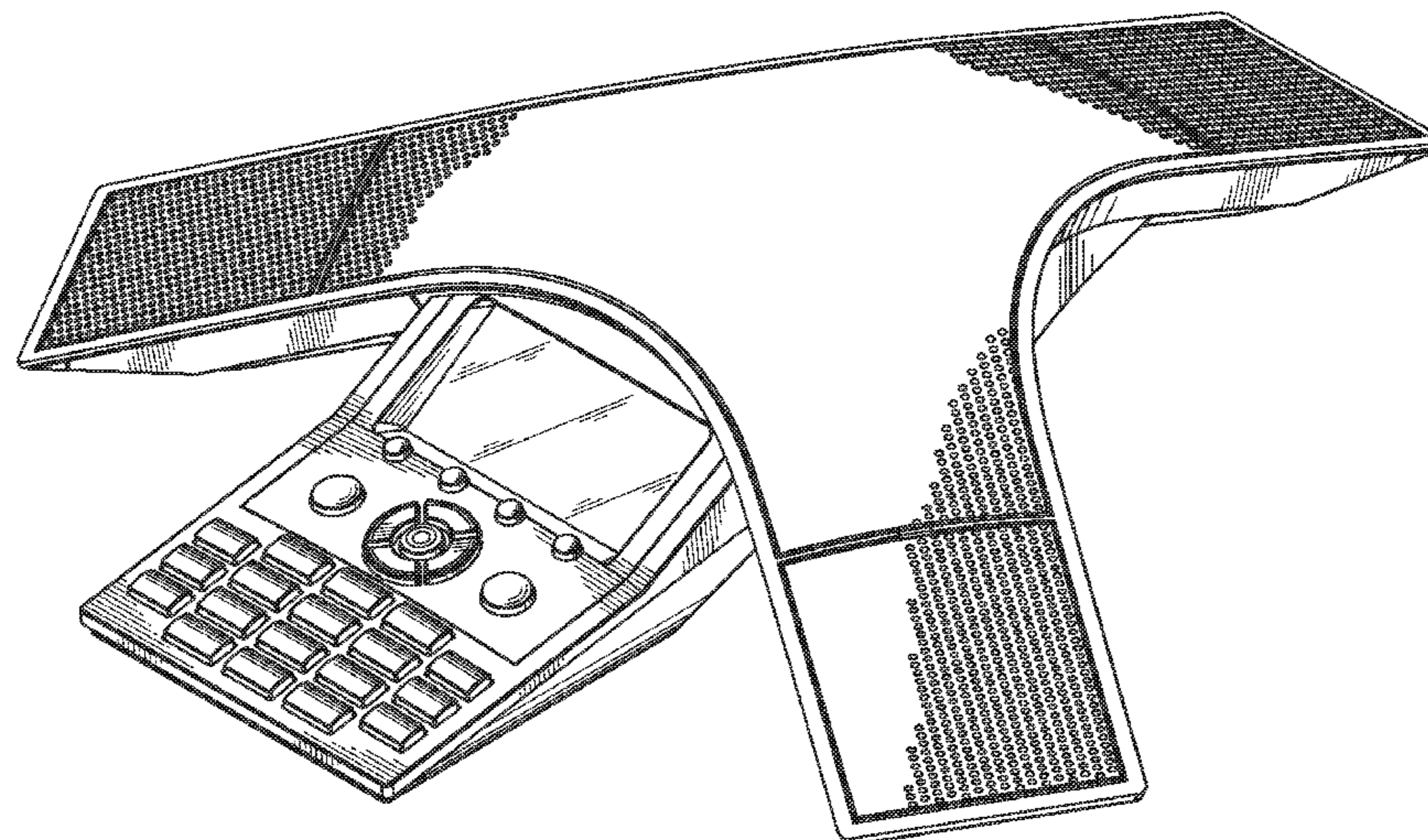
FIG. 6 is a right side elevational view of the speakerphone shown in FIG. 1; and,

FIG. 7 is a bottom plan view of the speakerphone shown in FIG. 1.

The broken line showing of environmental structures in FIGS. 3 through 7 is for illustrative purposes only and forms no part of the claimed design.

The grid of circular apertures schematically depicted in FIGS. 1–6 is continuous throughout the surface on which the apertures are shown.

1 Claim, 5 Drawing Sheets



US D571,776 S

Page 2

U.S. PATENT DOCUMENTS

D411,995 S *	7/1999	Chen	D14/150	D473,546 S	4/2003	Hovanky et al.	
6,016,346 A *	1/2000	Rittmueller et al.	379/420.02	D478,560 S	8/2003	Misrahi et al.	
D419,997 S	2/2000	Montalbo et al.		D480,059 S	9/2003	Misrahi et al.	
D421,606 S	3/2000	Montalbo et al.		D481,371 S *	10/2003	Chen	D14/150
D444,777 S *	7/2001	Bird et al.	D14/150	D488,794 S *	4/2004	Chen	D14/150
D449,285 S	10/2001	Wakefield et al.		D491,909 S *	6/2004	Sun	D14/150
D449,286 S	10/2001	Wakefield et al.		D499,392 S *	12/2004	Bathurst et al.	D14/150
D457,150 S *	5/2002	Chen	D14/150	D556,179 S *	11/2007	Chang	D14/150
D461,179 S	8/2002	Christianson		D557,676 S *	12/2007	Suzuki et al.	D14/149
				2003/0053620 A1 *	3/2003	Chen	379/447

* cited by examiner

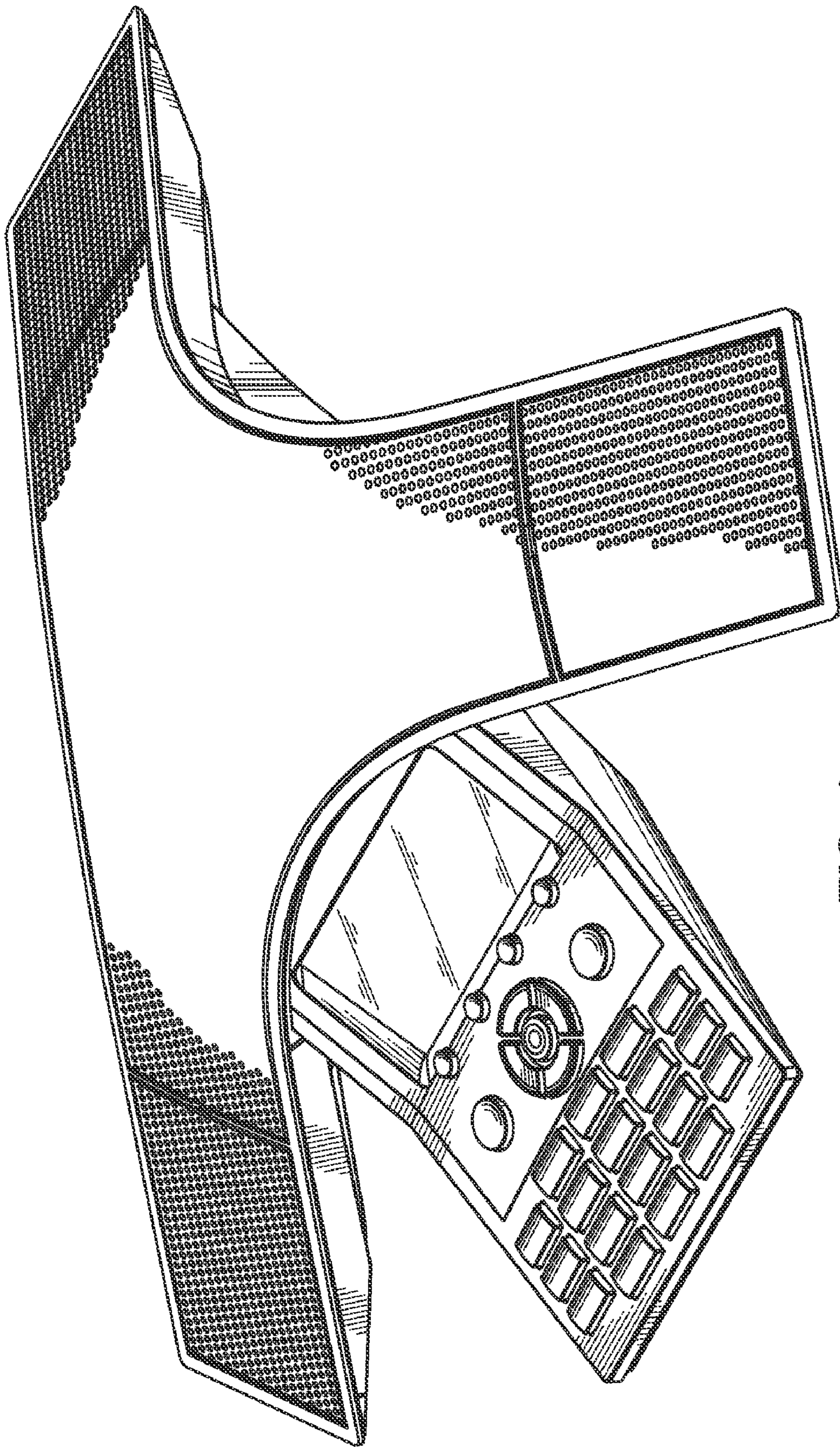


FIG. 1

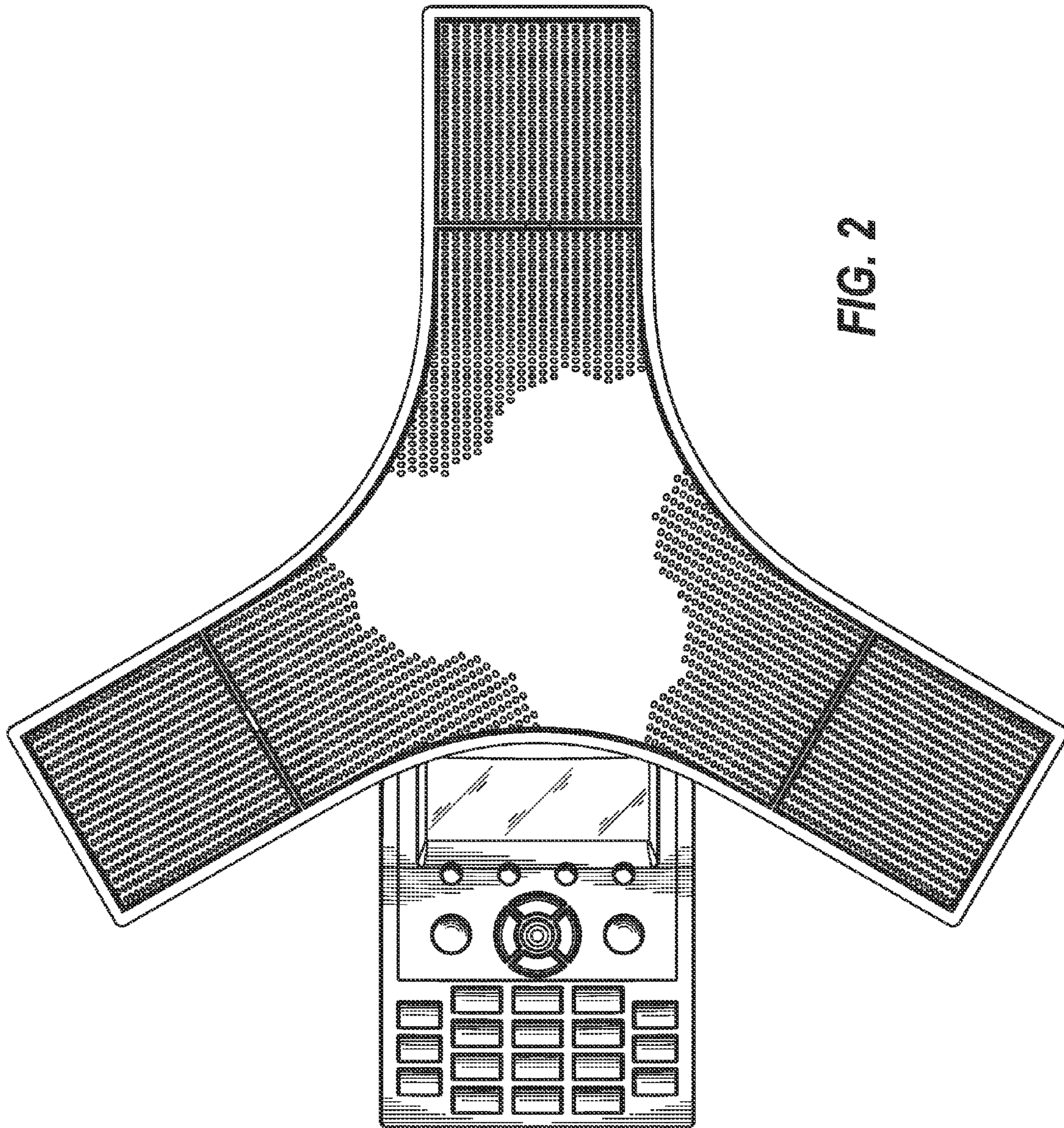


FIG. 2

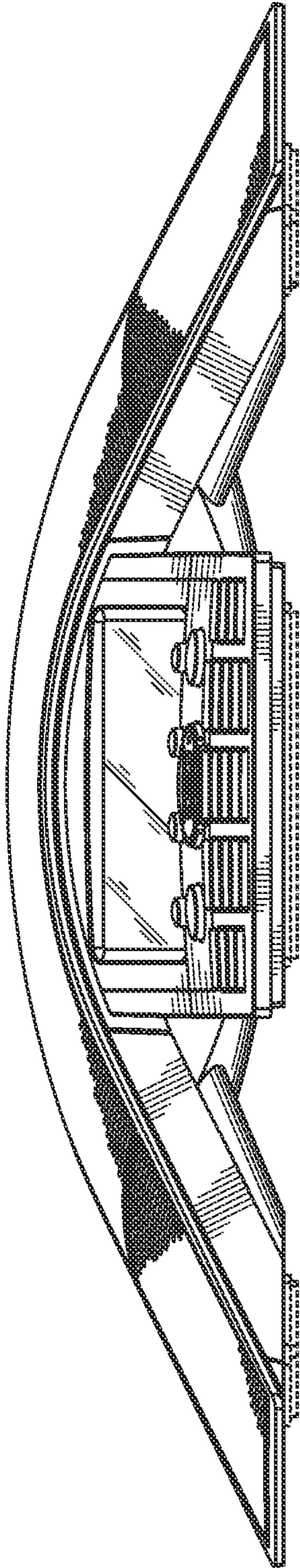


FIG. 3

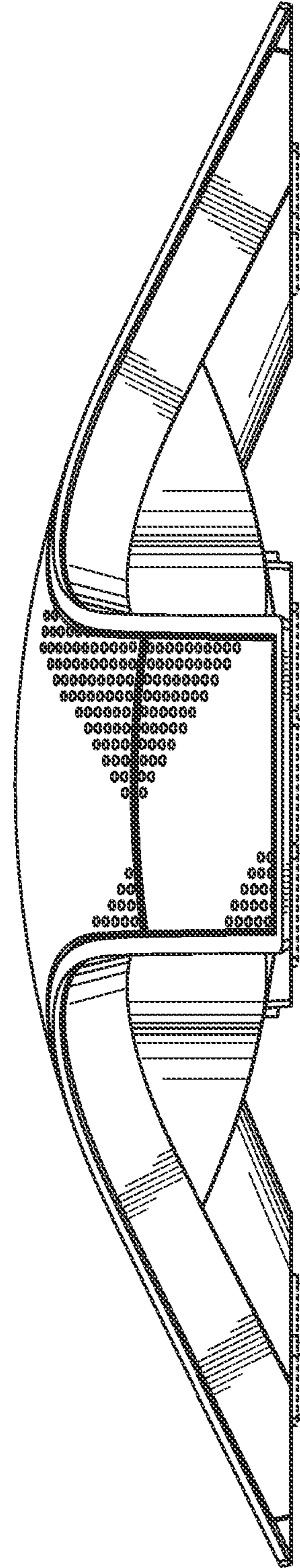


FIG. 4

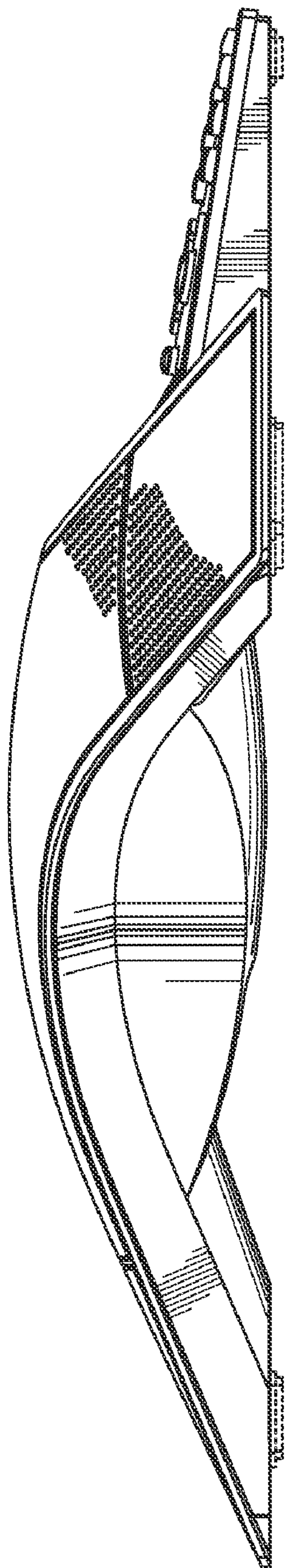


FIG. 5

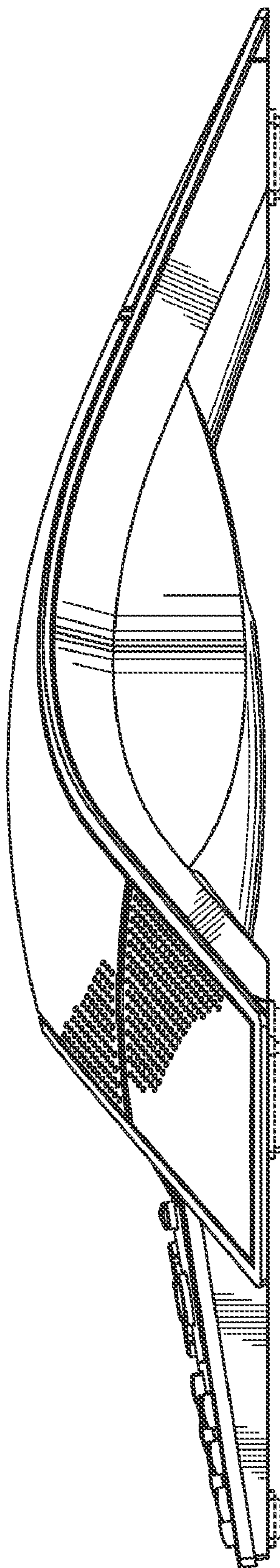


FIG. 6

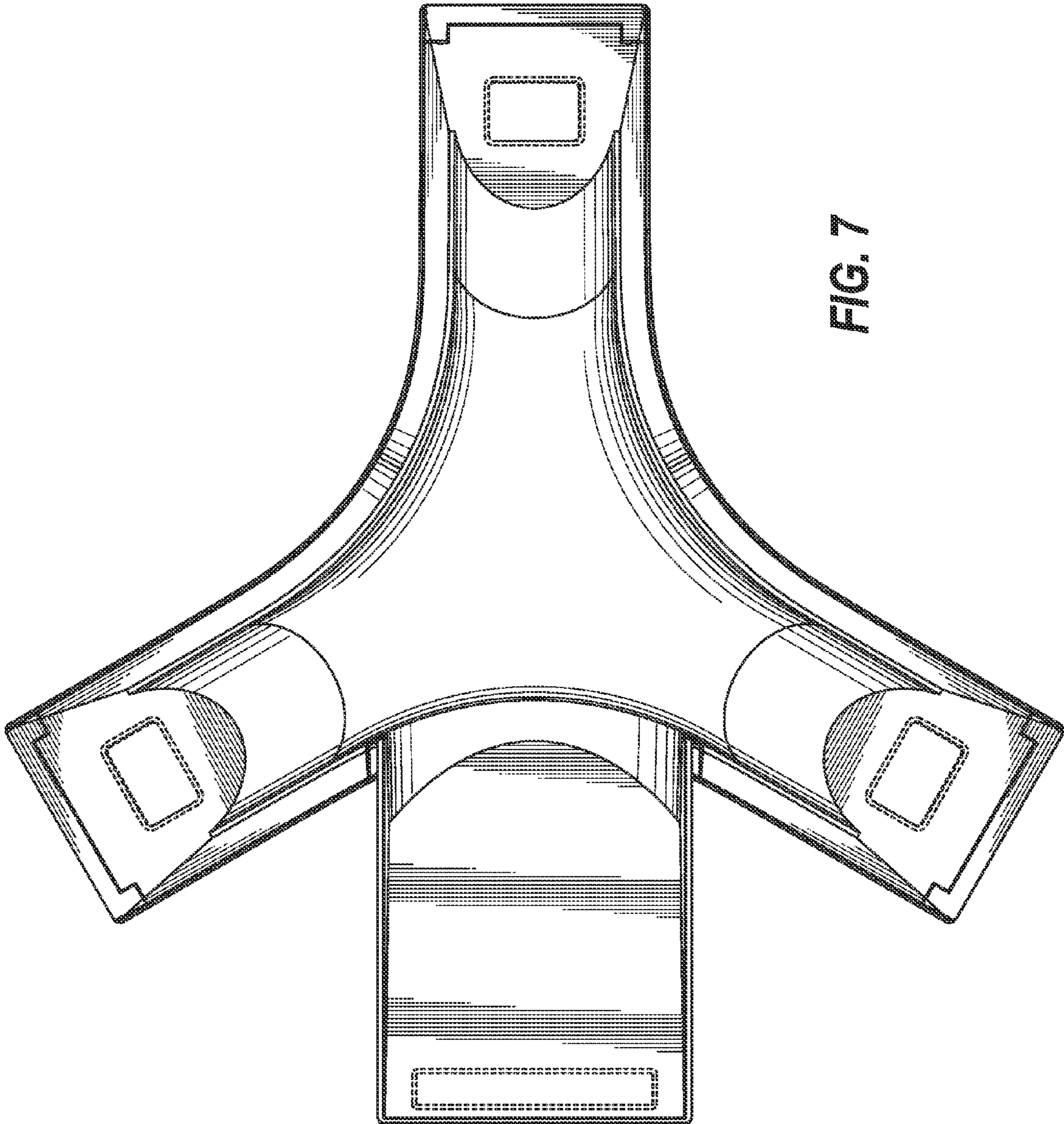


FIG. 7