



US00D571767S

(12) **United States Design Patent**
Holmung et al.

(10) **Patent No.:** **US D571,767 S**
(45) **Date of Patent:** **** Jun. 24, 2008**

(54) **HANDSET**

(75) Inventors: **Ingve Holmung**, London (GB);
Anthony Dalby, Ealing (GB)

(73) Assignee: **Nokia Corporation**, Espoo (FI)

(**) Term: **14 Years**

(21) Appl. No.: **29/281,435**

(22) Filed: **Jun. 22, 2007**

Related U.S. Application Data

(62) Division of application No. 29/238,389, filed on Sep. 15, 2005, now Pat. No. Des. 555,614.

(30) **Foreign Application Priority Data**

Mar. 16, 2005 (FI) M20050046

(51) **LOC (8) Cl.** **14-03**

(52) **U.S. Cl.** **D14/138**

(58) **Field of Classification Search** D14/496,
D14/138, 341-347; 455/575.3, 575.1; D21/517,
D21/329, 333
See application file for complete search history.

(56) **References Cited**

U.S. PATENT DOCUMENTS

5,363,089 A * 11/1994 Goldenberg 340/7.63

(Continued)

FOREIGN PATENT DOCUMENTS

WO DM063714 7/2003

(Continued)

OTHER PUBLICATIONS

Nokia N90 telephone, announced 2quarter 2005, [online], [retrieved on May 9, 2007]. Retrieved from Internet , <URL:http://www.gsmarena.com>.*

(Continued)

Primary Examiner—Jeffrey D Asch
(74) *Attorney, Agent, or Firm*—Banner & Witcoff, Ltd.

(57) **CLAIM**

The ornamental design for a handset, as shown and described.

DESCRIPTION

FIG. 1 is a bottom plan view of a handset showing our new design;

FIG. 2 is a right side view thereof;

FIG. 3 is a front view thereof;

FIG. 4 is a left side view thereof;

FIG. 5 is a top plan view thereof;

FIG. 6 is a rear view thereof;

FIG. 7 is a perspective front view thereof;

FIG. 8 is a perspective rear view thereof;

FIG. 9 is a front view of the handset of FIGS. 1-8 with a portion of the handset in an in-use position;

FIG. 10 is a perspective front view of the handset of FIGS. 1-8 with a portion of the handset in an in-use position;

FIG. 11 is a perspective rear view of the handset of FIGS. 1-8 with a portion of the handset in an alternative in-use position;

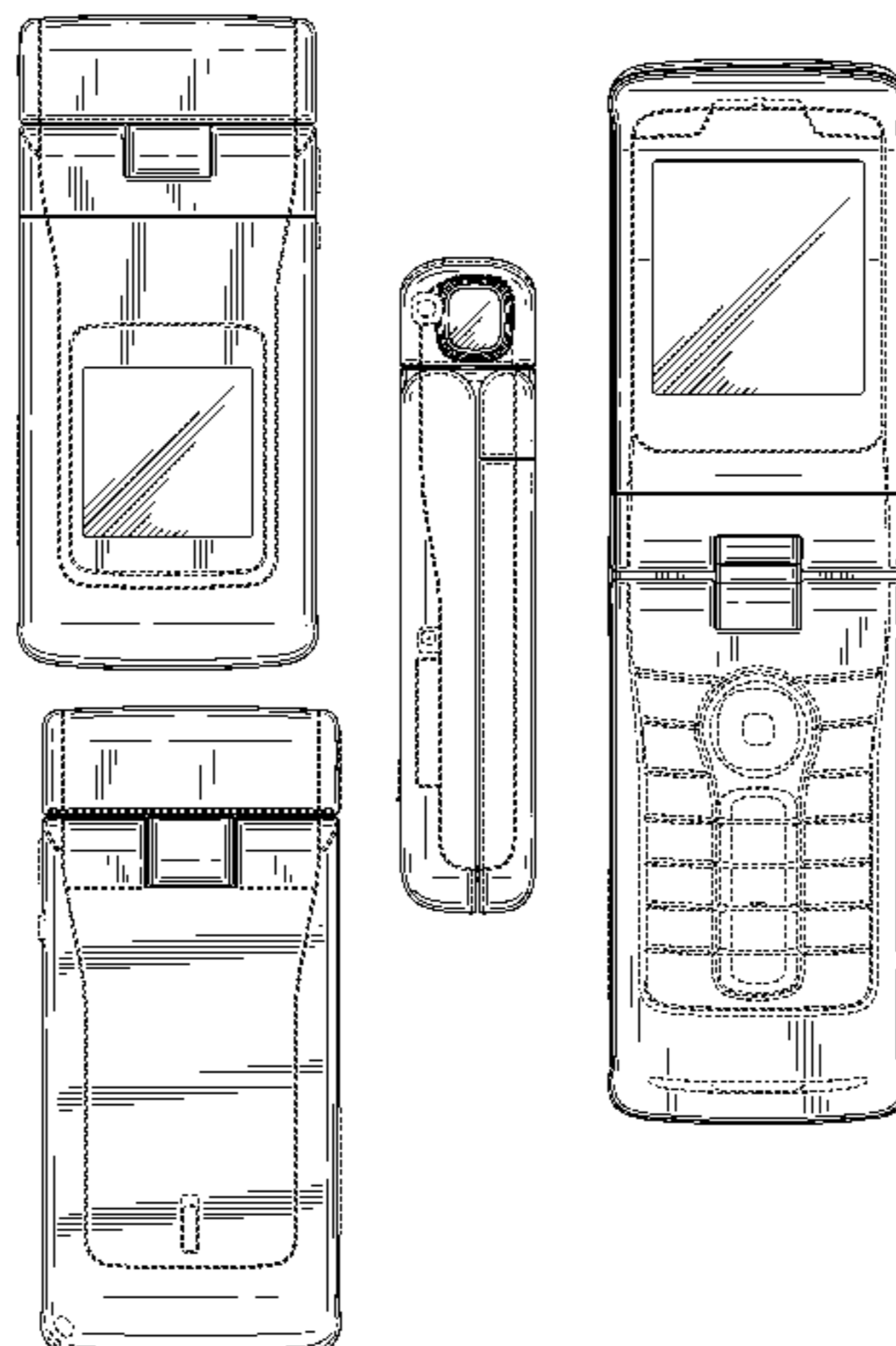
FIG. 12 is a perspective front view of the handset of FIGS. 1-8 with a portion of the handset in an alternative in-use position;

FIG. 13 is a perspective view of the handset of FIGS. 1-8 with a portion of the handset in an alternative in-use position; and,

FIG. 14 is a perspective view of the handset of FIGS. 1-8 with a portion of the handset in an alternative in-use position.

The broken lines shown in the drawing, which are immediately adjacent to the claimed surfaces and define unshaded regions, represent the bounds of the claimed design, while all other broken lines are directed to environment and are for illustrative purposes only; the broken lines form no part of the claimed design.

1 Claim, 10 Drawing Sheets



US D571,767 S

Page 2

U.S. PATENT DOCUMENTS

D491,907 S * 6/2004 Ogawa D14/138
D496,016 S * 9/2004 Hoo D14/138
D500,749 S 1/2005 Kim
D501,455 S * 2/2005 Hunt et al. D14/138
D508,475 S * 8/2005 Wu et al. D14/138
D508,902 S * 8/2005 Lee et al. D14/138
D512,975 S * 12/2005 Tsai et al. D14/138
D515,078 S 2/2006 Kim
D518,812 S * 4/2006 Kim et al. D14/138
D519,966 S * 5/2006 Salmi et al. D14/138
D519,971 S * 5/2006 Morita et al. D14/138
D519,972 S * 5/2006 Chung et al. D14/138
D521,968 S * 5/2006 Jung et al. D14/138
7,050,293 B2 * 5/2006 Arbisi et al. 361/681
D523,836 S * 6/2006 Park D14/138
7,058,433 B2 * 6/2006 Carpenter 455/575.1
D526,314 S 8/2006 Kim
7,127,277 B2 * 10/2006 Shiue et al. 455/575.3
D535,960 S * 1/2007 Kim et al. D14/138
D537,426 S * 2/2007 Arbisi D14/138
D538,771 S * 3/2007 Bower D14/138
D538,772 S * 3/2007 Cha et al. D14/138
D540,767 S * 4/2007 Kim et al. D14/138

D540,770 S * 4/2007 Park et al. D14/138
D542,253 S * 5/2007 Hwang D14/138
7,212,845 B2 * 5/2007 Ikeuchi 455/575.3
D555,614 S * 11/2007 Holmung et al. D14/138
2005/0090296 A1 * 4/2005 Gordecki 455/575.3
2005/0153753 A1 * 7/2005 Cheng 455/575.3
2006/0089182 A1 * 4/2006 Gartrell 455/575.3
2006/0105806 A1 * 5/2006 Vance et al. 455/556.1
2006/0111146 A1 * 5/2006 Kim 455/557
2006/0148542 A1 * 7/2006 Oliver 455/575.3

FOREIGN PATENT DOCUMENTS

WO DM065421 7/2004
WO DM066166 1/2005

OTHER PUBLICATIONS

Sony Ericsson Z710 telephone, announced May 2006, [online],
[retrieved on May 9, 2007]. Retrieved from Internet , <URL:http://
www.gsmarena.com>.*

Samsung P850 telephone, announced 1st quarter 2005, [online],
[retrieved on May 9, 2007]. Retrieved from Internet , <URL:http://
www.gsmarena.com>.*

* cited by examiner

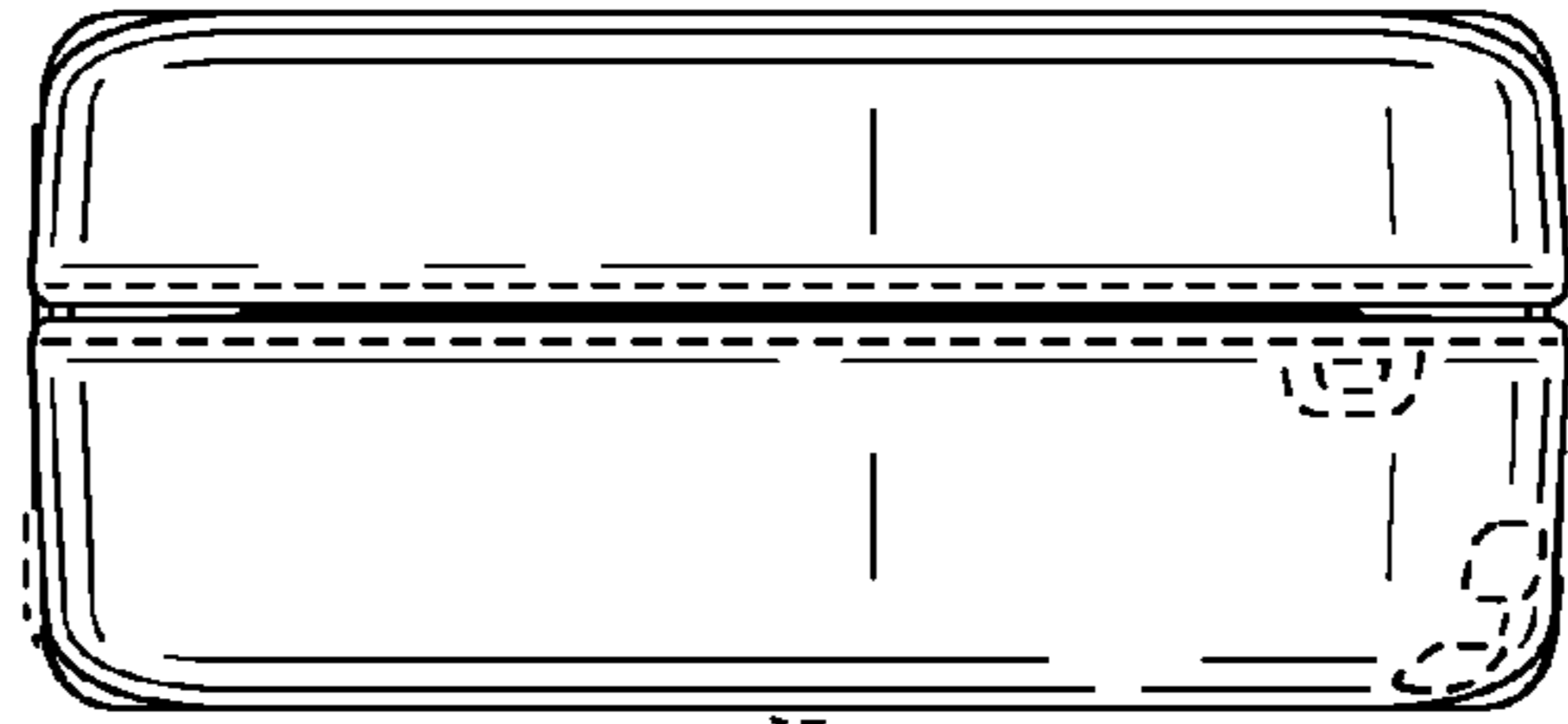


FIG. 1

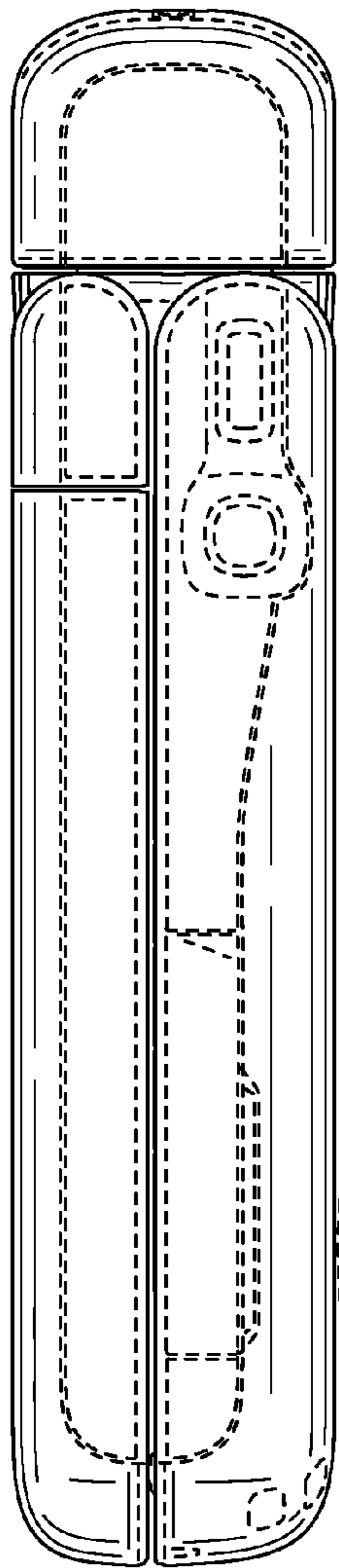


FIG. 2

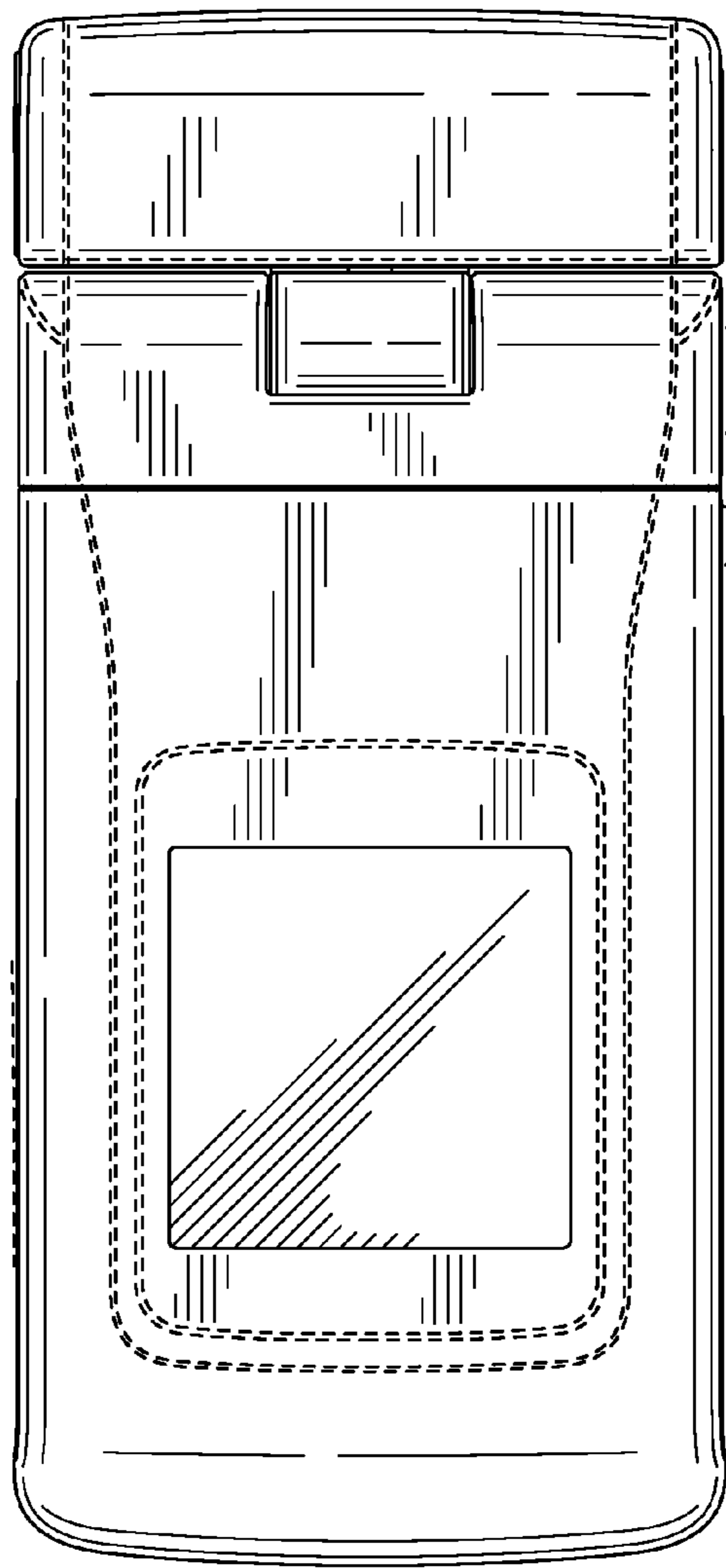


FIG. 3

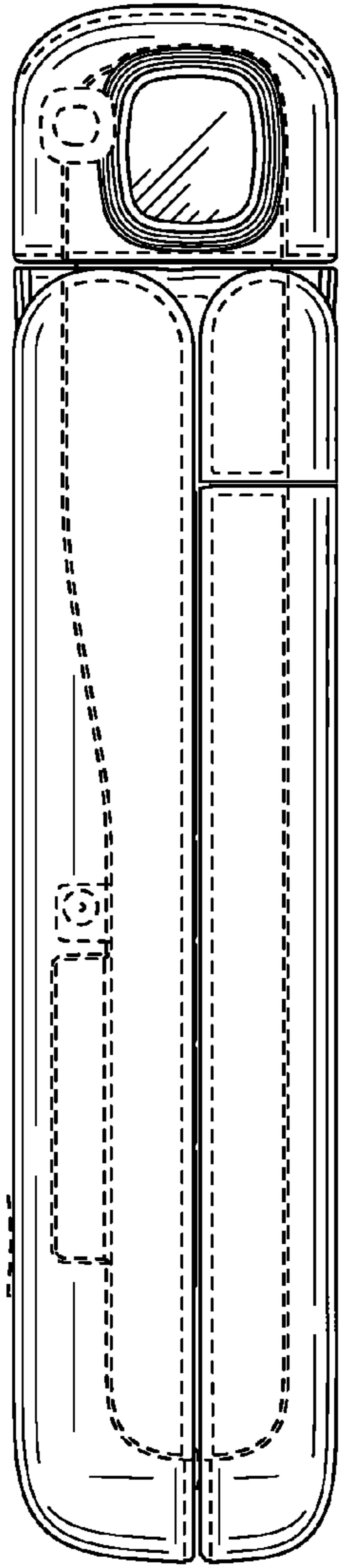


FIG. 4

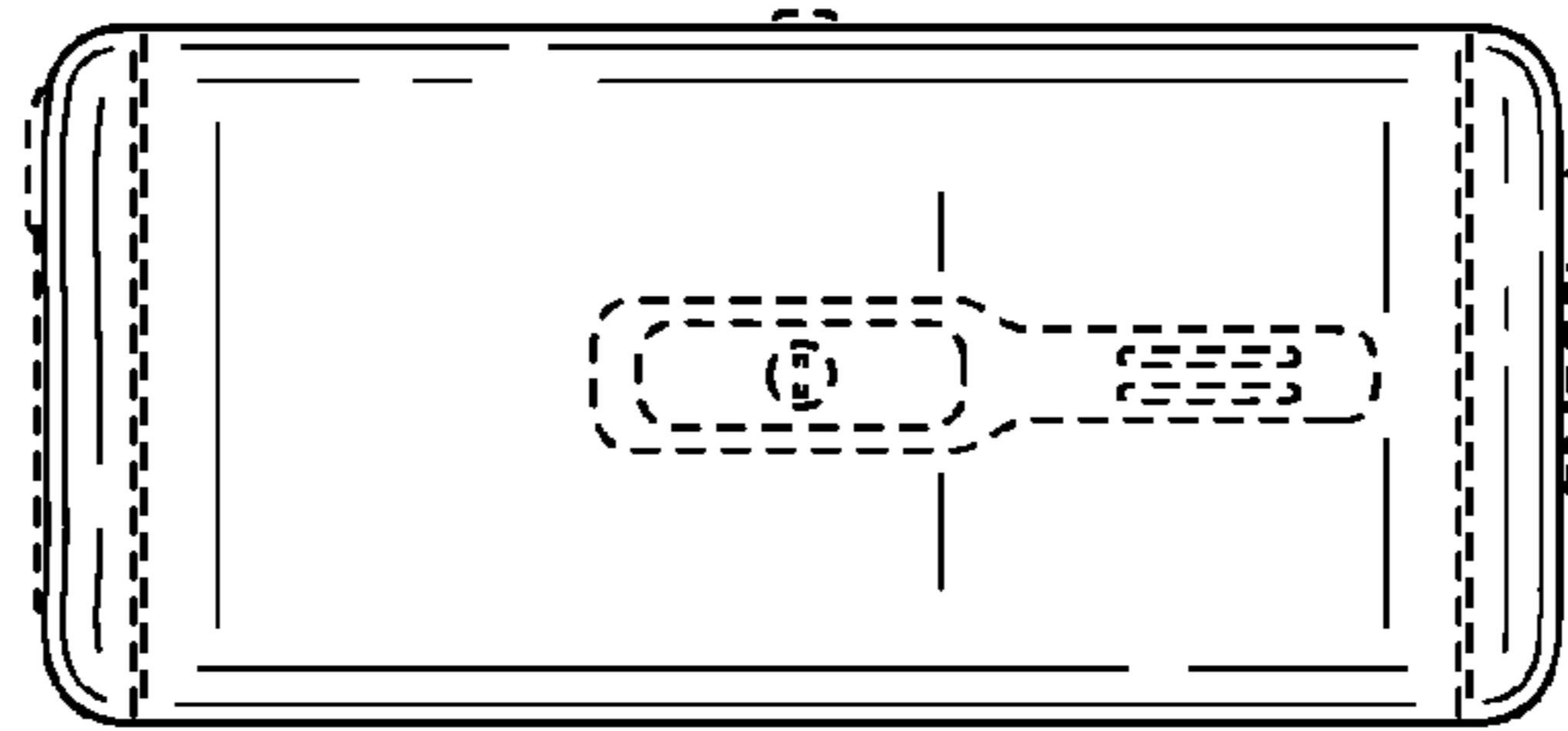


FIG. 5

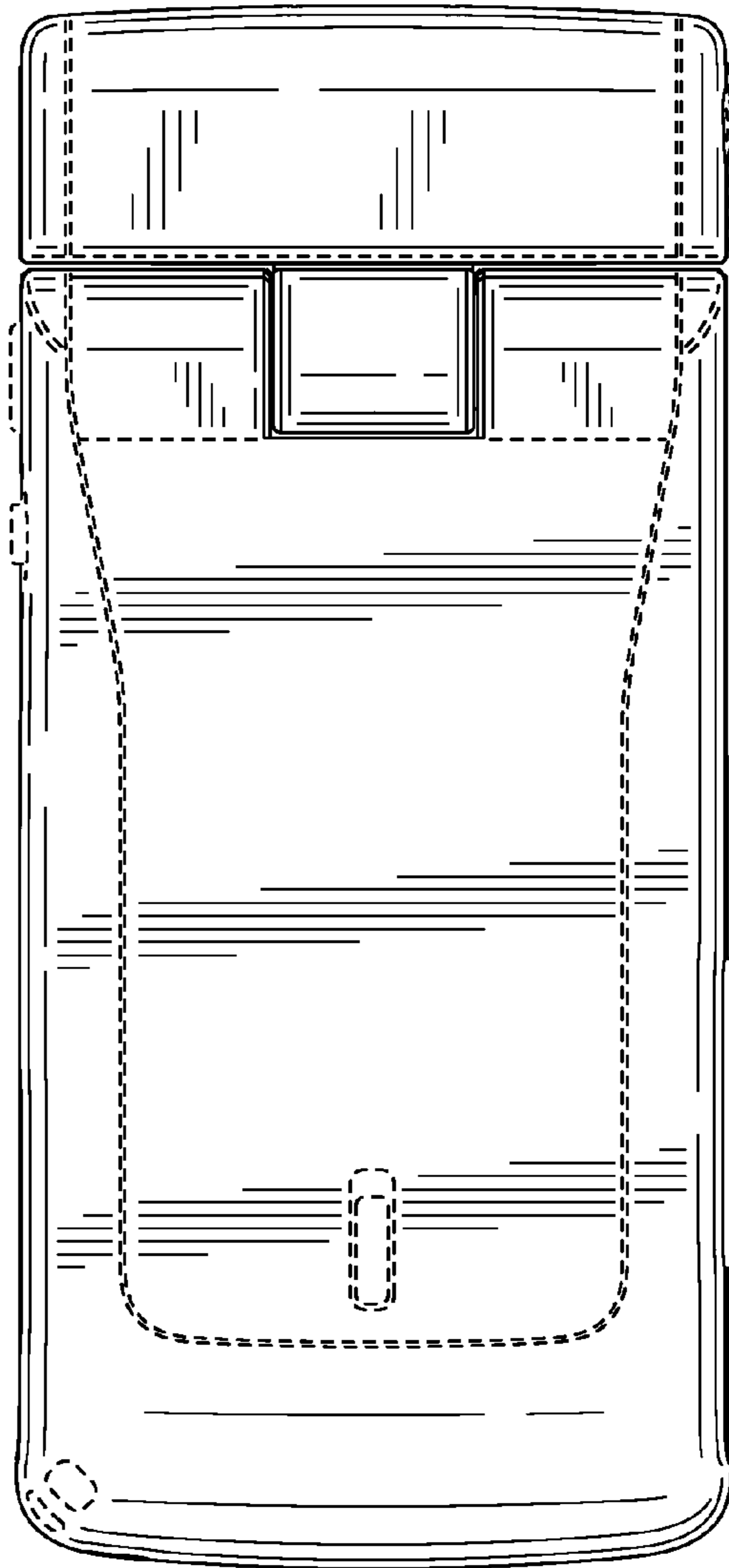


FIG. 6

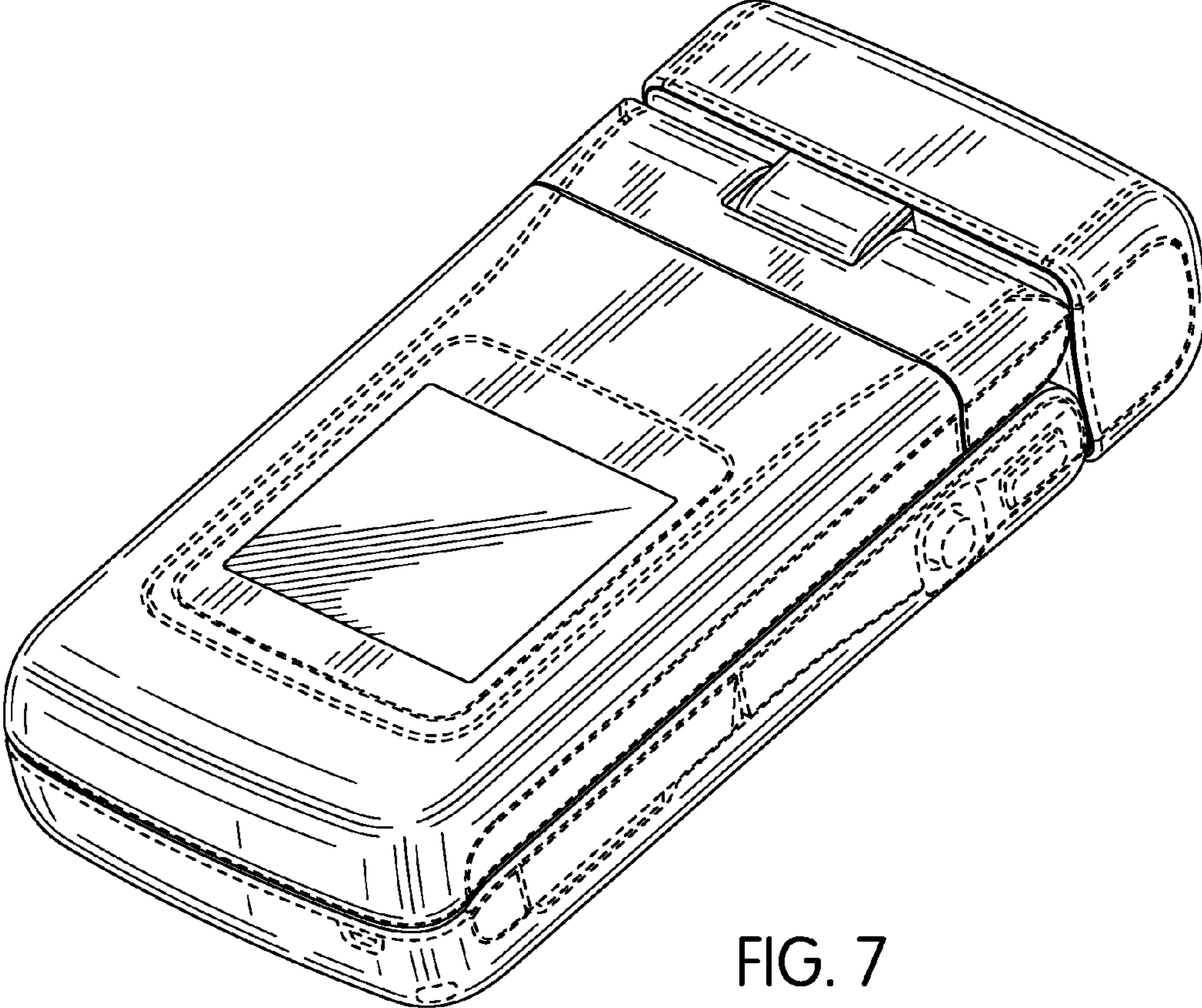


FIG. 7

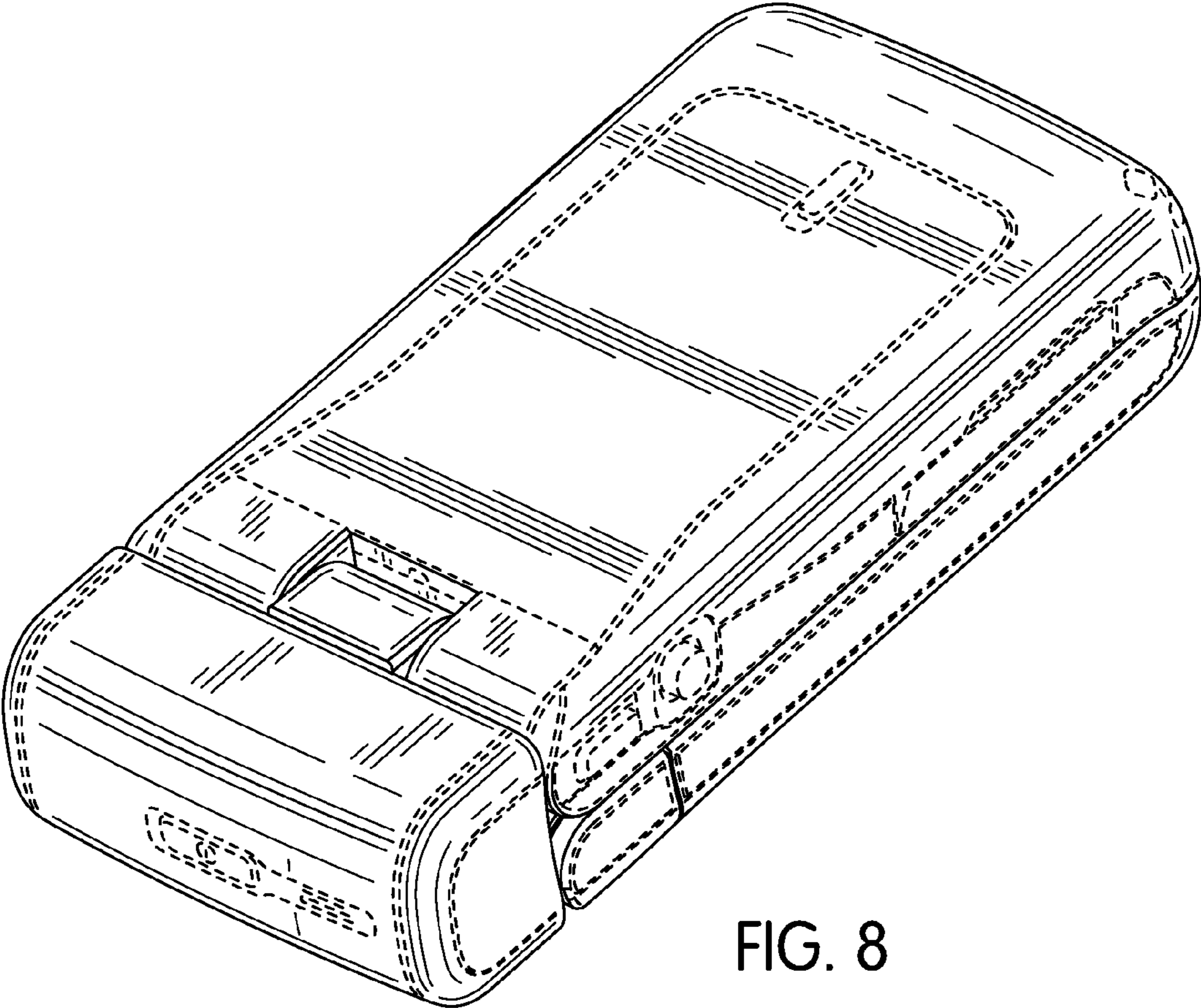


FIG. 8

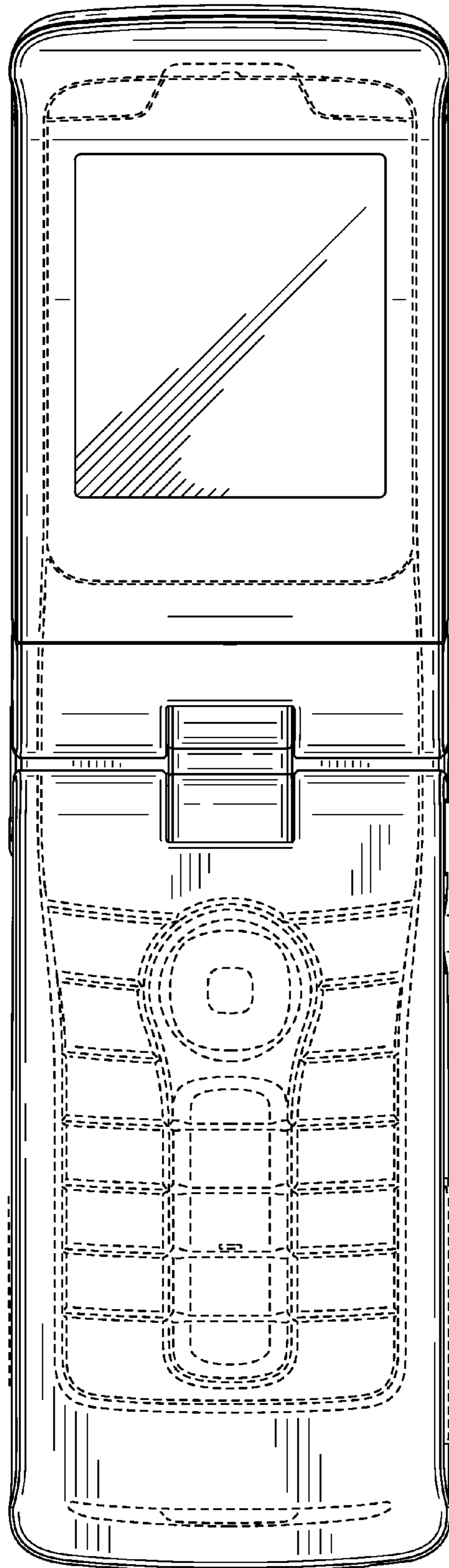


FIG. 9

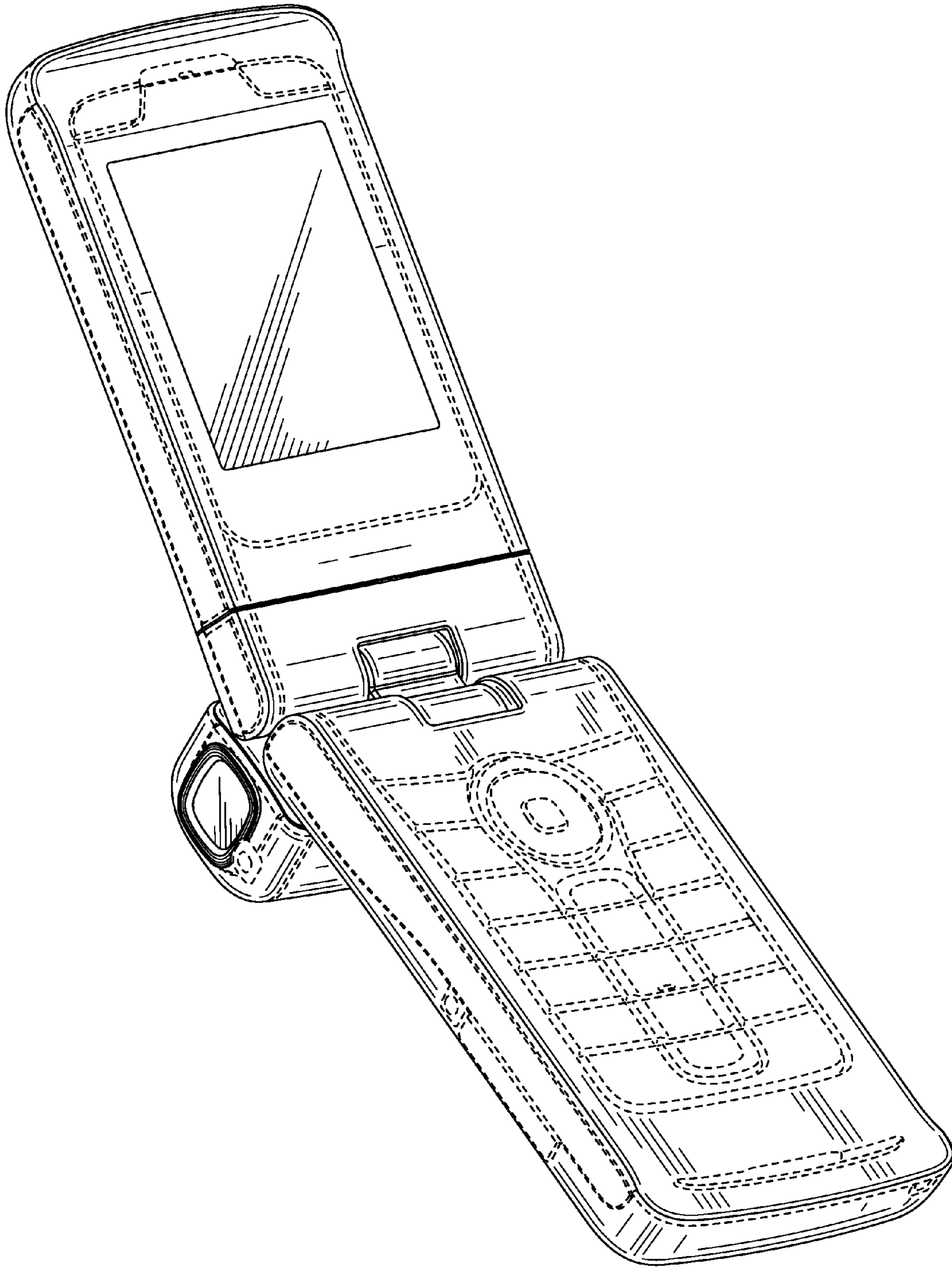


FIG. 10

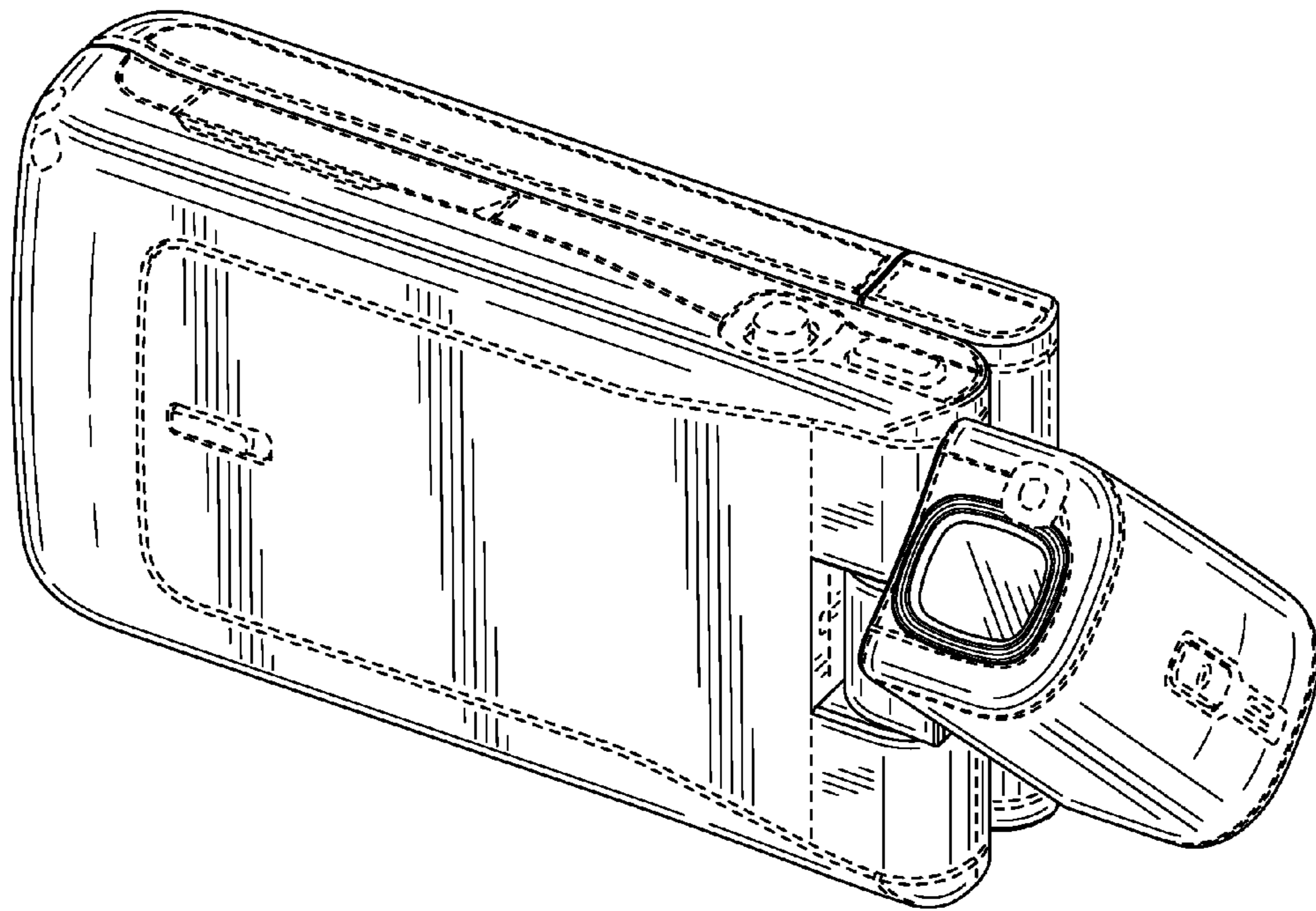


FIG. 11

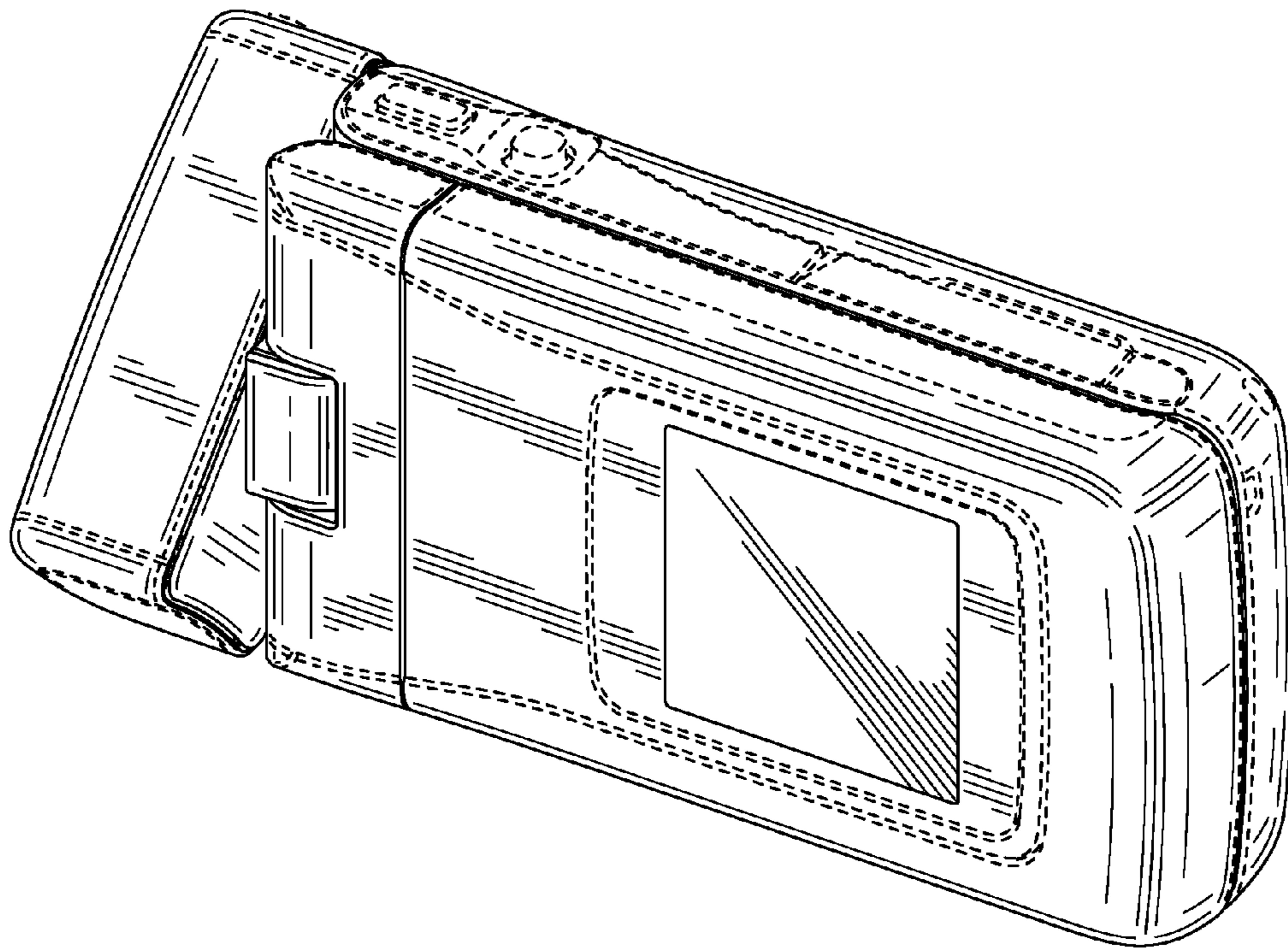


FIG. 12

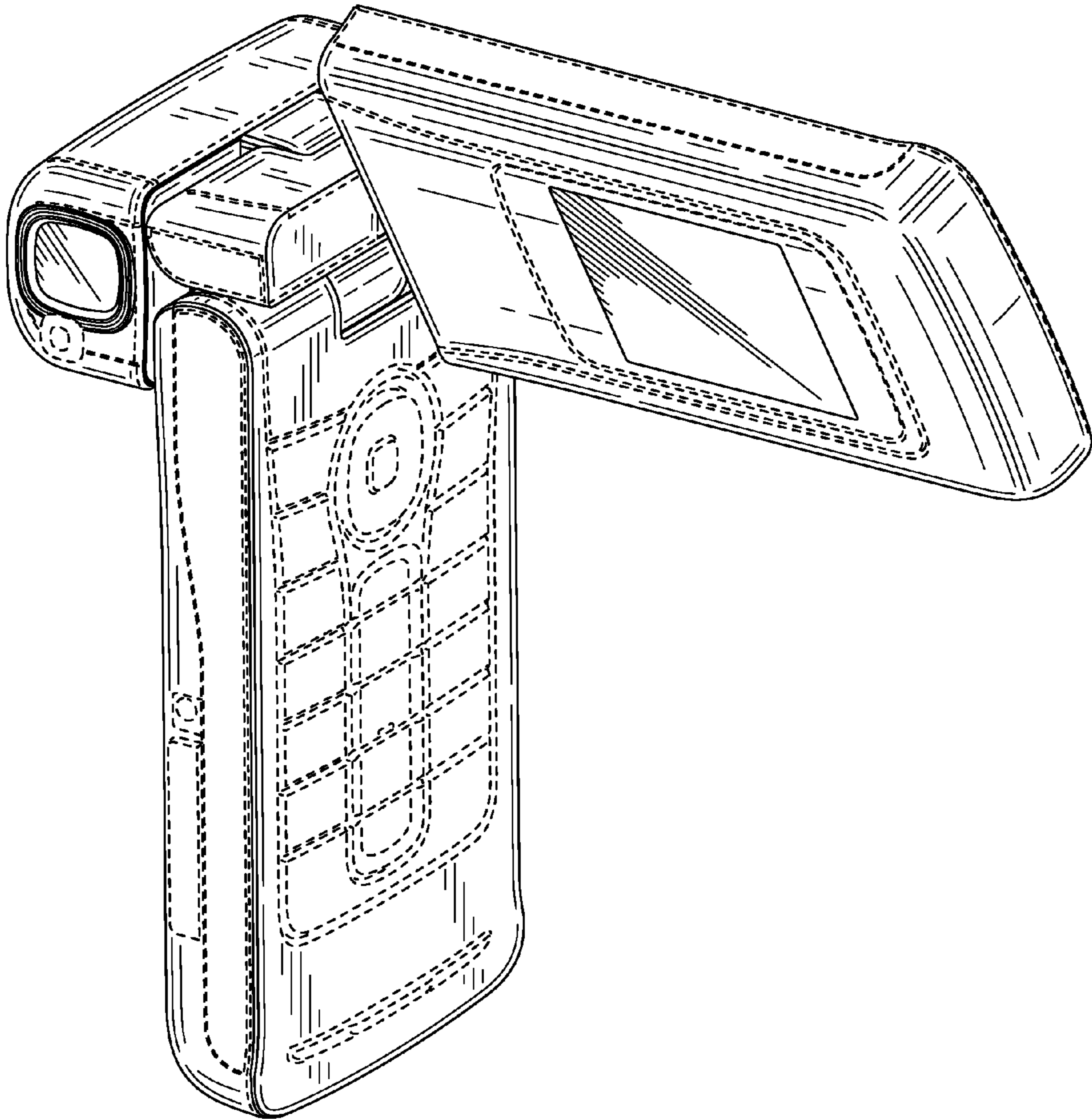


FIG. 13

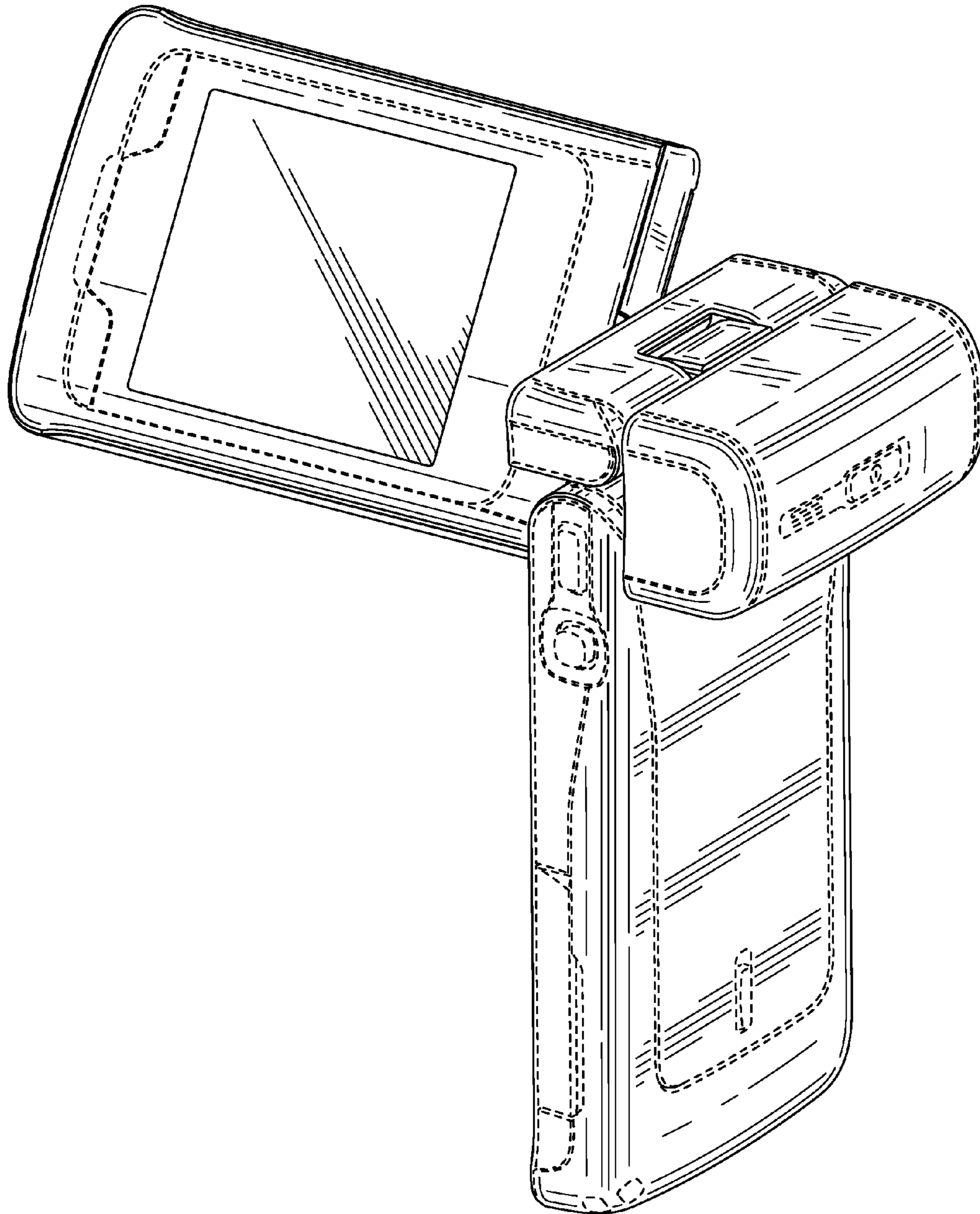


FIG. 14