



US00D571760S

(12) **United States Design Patent**
Choi et al.

(10) **Patent No.:** **US D571,760 S**
(45) **Date of Patent:** **** Jun. 24, 2008**

(54) **CELLULAR PHONE**

(75) Inventors: **Hyok-Su Choi**, Yongin-si (KR);
Yoon-Young Cho, Seoul (KR);
Chang-Soo Lee, Incheon (KR)

(73) Assignee: **Samsung Electronics Co., Ltd.**,
Suwon-Si (KR)

(**) Term: **14 Years**

(21) Appl. No.: **29/268,305**

(22) Filed: **Nov. 3, 2006**

(51) **LOC (8) Cl.** **14-03**

(52) **U.S. Cl.** **D14/138**

(58) **Field of Classification Search** D14/138,
D14/496, 341-347; 455/575.3, 575.1; D21/517
See application file for complete search history.

(56) **References Cited**

U.S. PATENT DOCUMENTS

D468,736 S *	1/2003	Loh et al.	D14/345
D497,893 S *	11/2004	Hwang et al.	D14/138
D500,016 S *	12/2004	Kim	D14/138
D501,839 S *	2/2005	Lee et al.	D14/138
D502,457 S *	3/2005	Eigenstetter et al.	D14/138
D507,552 S *	7/2005	Liang	D14/138
D512,039 S *	11/2005	Kim et al.	D14/138
6,999,802 B2 *	2/2006	Kim	455/575.1
D519,486 S *	4/2006	Lee et al.	D14/138
D520,981 S *	5/2006	Lee et al.	D14/138
D521,481 S *	5/2006	Shin	D14/138
D540,768 S *	4/2007	Cho et al.	D14/138
D541,780 S *	5/2007	Park et al.	D14/138
D543,526 S *	5/2007	Jung et al.	D14/138
D545,796 S *	7/2007	Kim et al.	D14/138
D546,310 S *	7/2007	Lee	D14/138
D546,794 S *	7/2007	Kim et al.	D14/138
D549,679 S *	8/2007	Park et al.	D14/138
D550,184 S *	9/2007	Lee et al.	D14/138
D551,642 S *	9/2007	Kim et al.	D14/138
D556,717 S *	12/2007	Song et al.	D14/138
D558,167 S *	12/2007	Jung et al.	D17/138
D558,169 S *	12/2007	Chung et al.	D14/138

D558,225 S *	12/2007	Gifford et al.	D14/496
D560,643 S *	1/2008	Kim et al.	D14/138
D561,152 S *	2/2008	Kim et al.	D14/138

OTHER PUBLICATIONS

Samsung J400 telephone, announced Jan. 2008, [online], [site visited Feb. 14, 2008]. Available from Internet ,<URL: <http://www.gsmarena.com>>.*

Samsung ZV60 telephone, announced Jul. 2007, [online], [site visited Feb. 14, 2008]. Available from Internet ,<URL: <http://www.gsmarena.com>>.*

(Continued)

Primary Examiner—Jeffrey D Asch

(74) *Attorney, Agent, or Firm*—Staas & Halsey LLP

(57) **CLAIM**

The ornamental design for a cellular phone, as shown and described.

DESCRIPTION

FIG. 1 is a perspective view of a cellular phone according to our new design;

FIG. 2 is a front elevational view thereof;

FIG. 3 is a rear elevational view thereof;

FIG. 4 is a left side elevational view thereof;

FIG. 5 is a right side elevational view thereof;

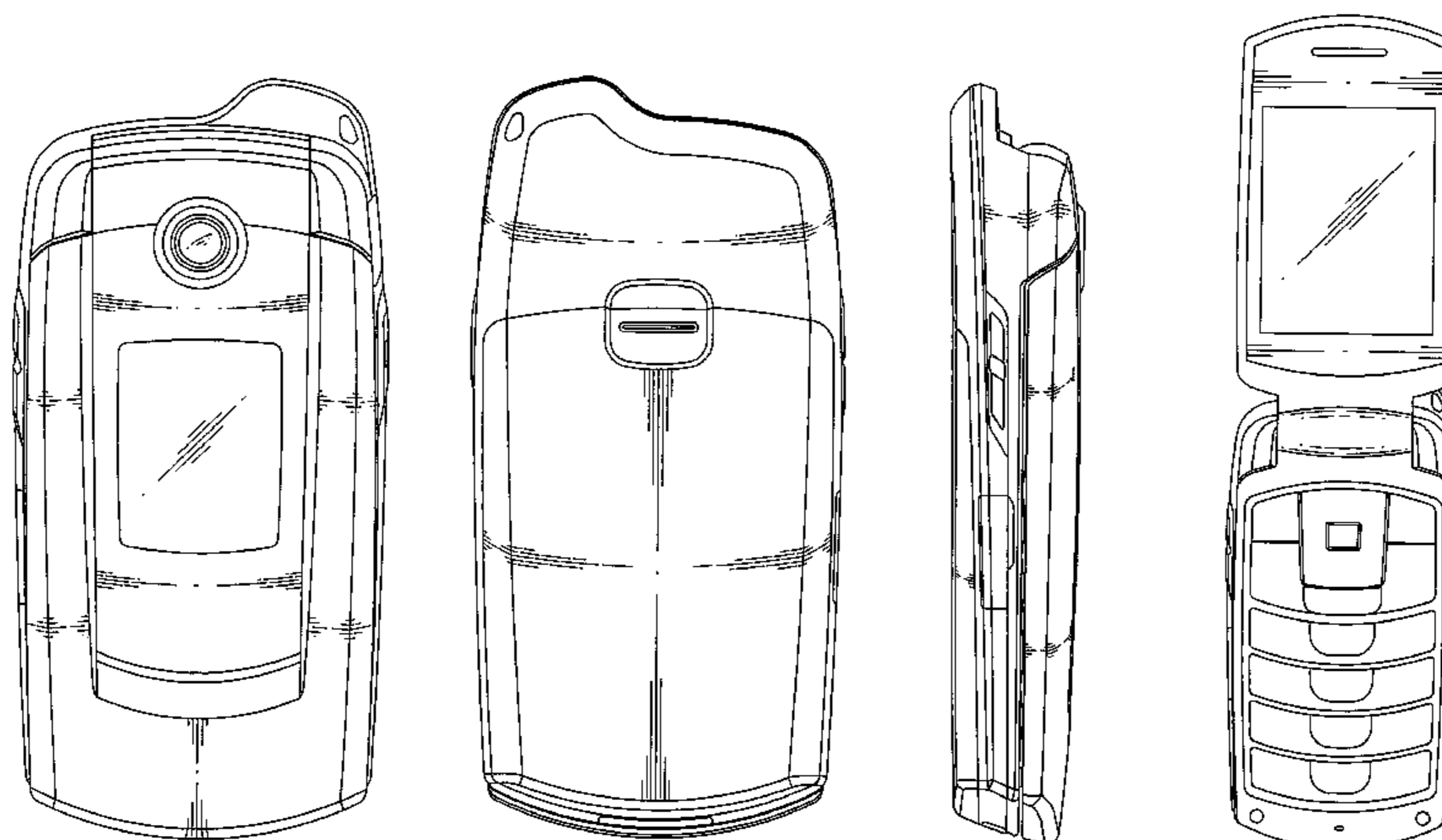
FIG. 6 is a top plan view thereof;

FIG. 7 is a bottom plan view thereof; and,

FIG. 8 is a front elevational view of the cellular phone according to our new design in a state in which the cellular phone is opened to be used.

The surface(s) or portion(s) of the article not shown in the drawing or described in the specification form(s) no part of the claimed design.

1 Claim, 7 Drawing Sheets



OTHER PUBLICATIONS

Samsung S50 li telephone, announced Jul. 2006, [online], [site visited Feb. 14, 2008]. Available from Internet ,<URL: <http://www.gsmarena.com>>.*

Samsung S40 li telephone, announced Jul. 2006, [online], [site visited Feb. 14, 2008]. Available from Internet ,<URL: <http://www.gsmarena.com>>.*

Samsung ZV10 telephone, announced 4th quarter 2005, [online], [site visited Feb. 14, 2008]. Available from Internet ,<URL: <http://www.gsmarena.com>>.*

Samsung D730 telephone, announced 1st quarter 2005, [online], [site visited Feb. 14, 2008]. Available from Internet ,<URL: <http://www.gsmarena.com>>.*

* cited by examiner

FIG. 1

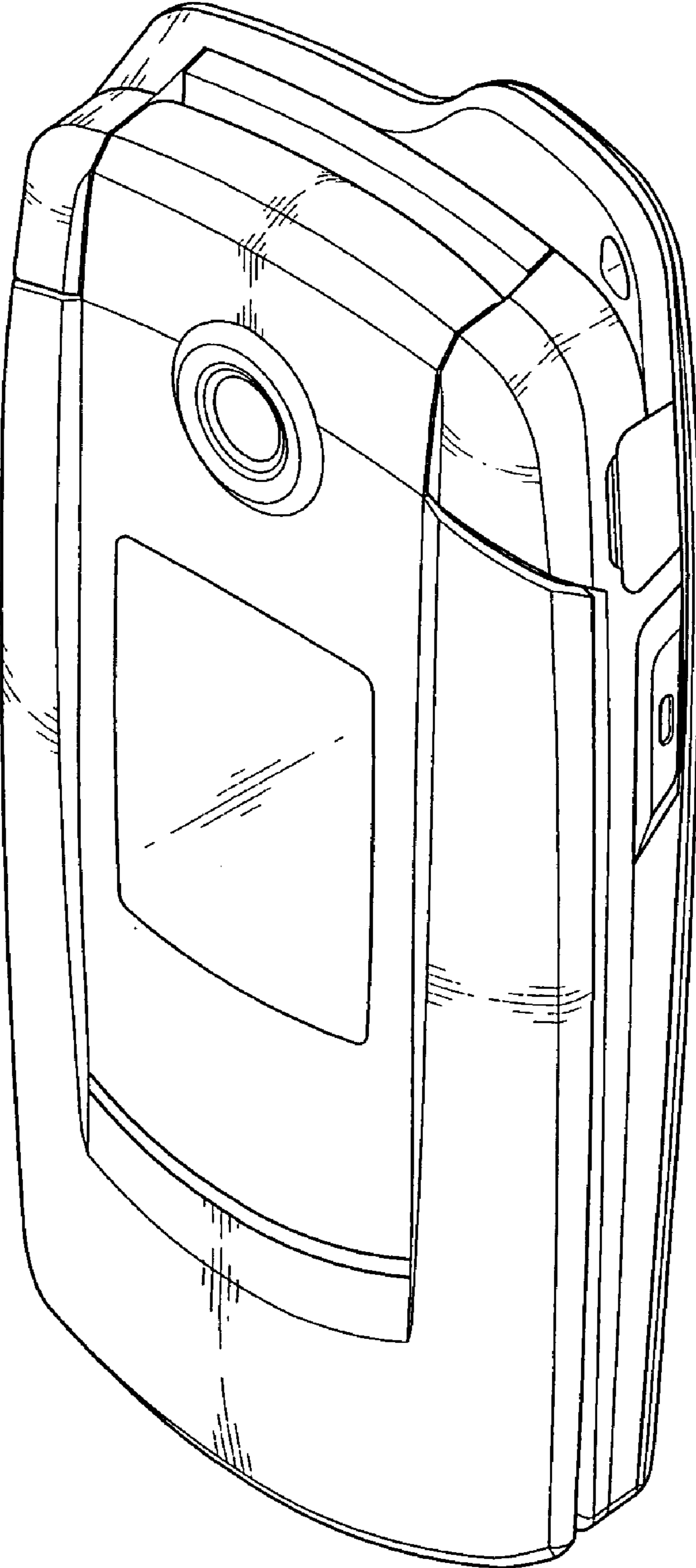


FIG.2

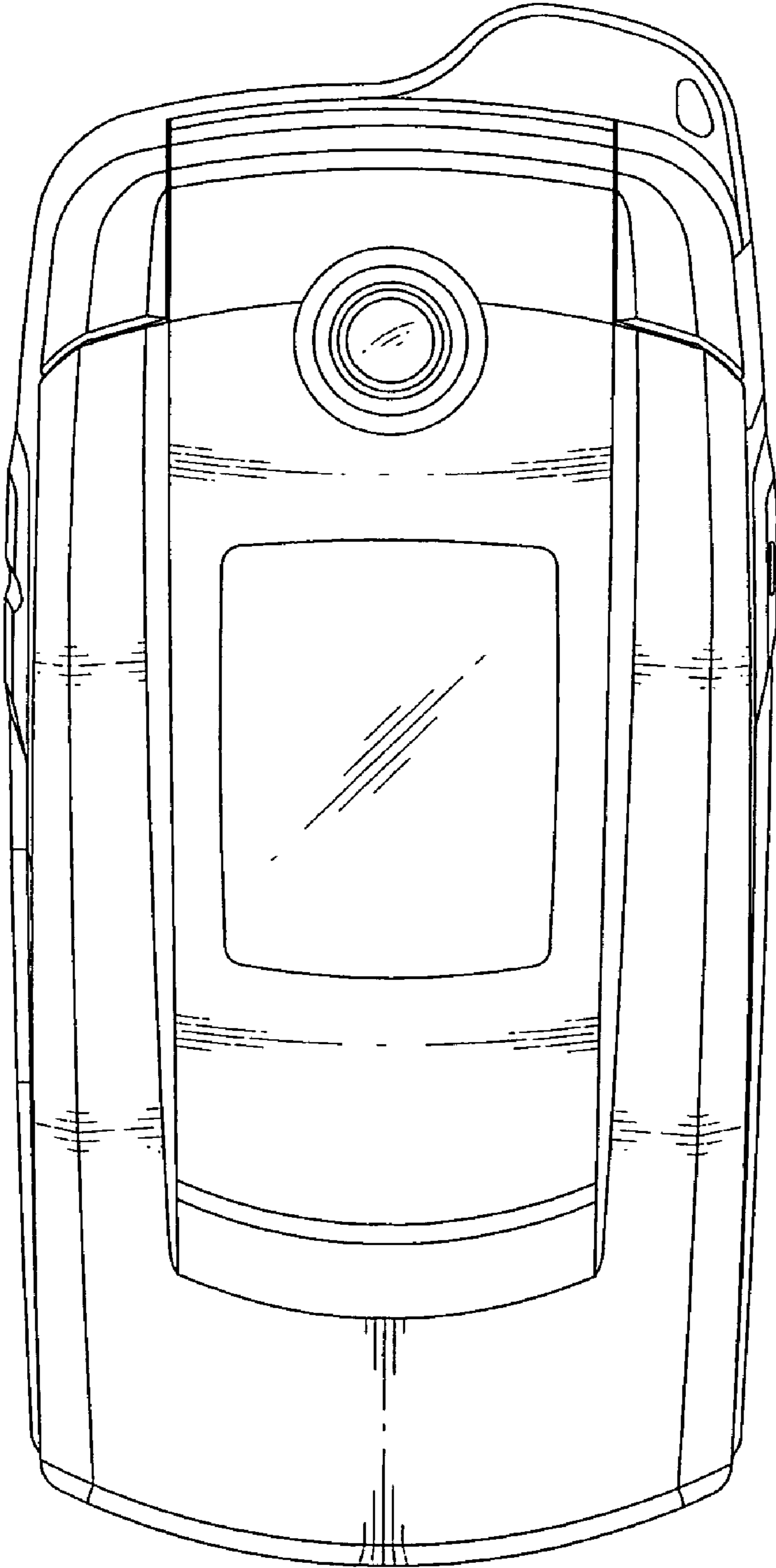


FIG.3

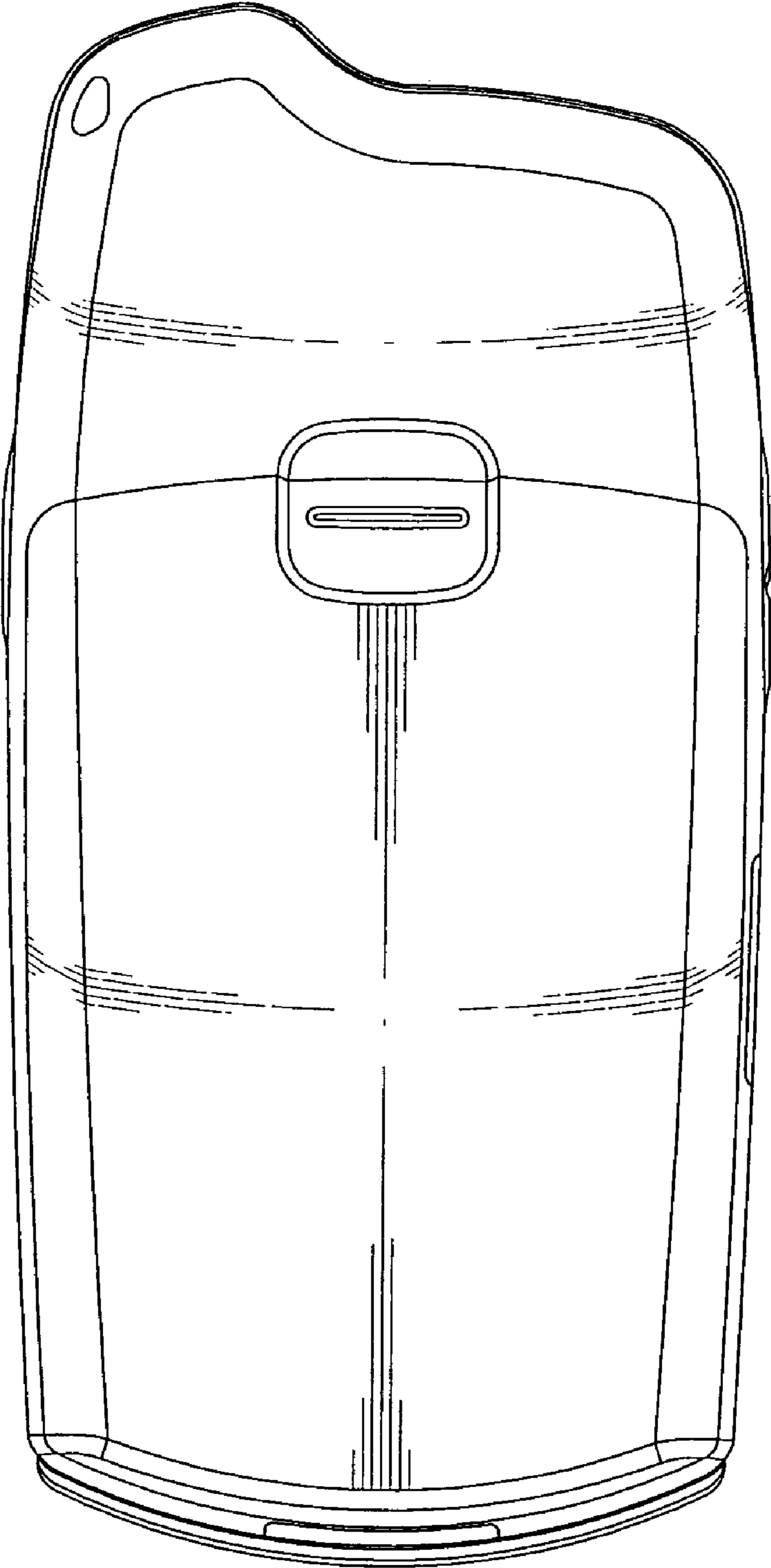


FIG. 4

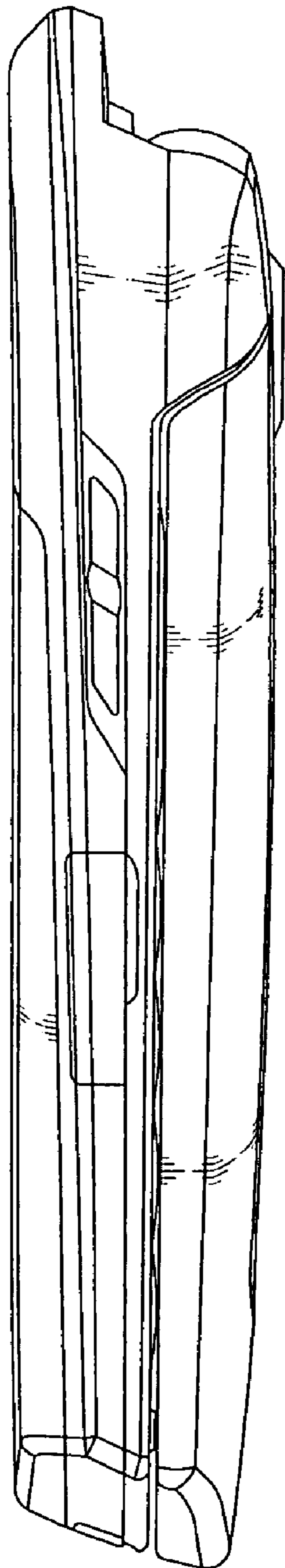


FIG.5

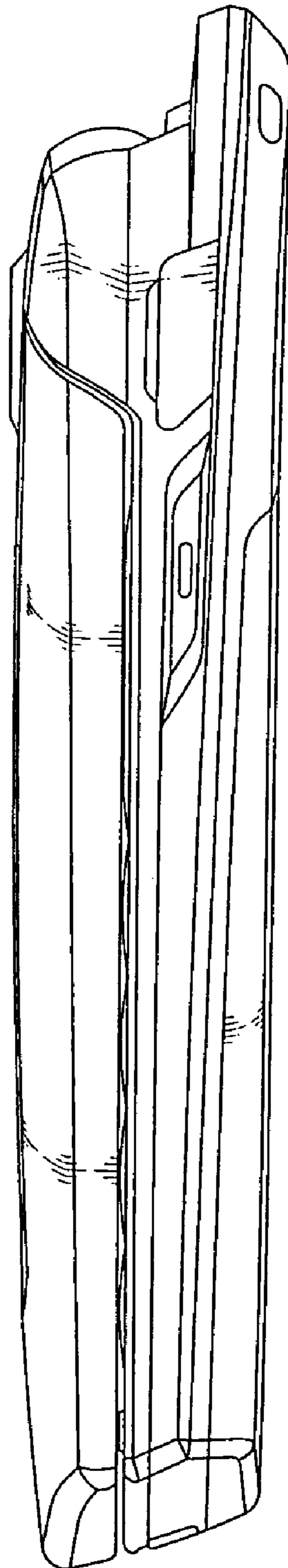


FIG. 6

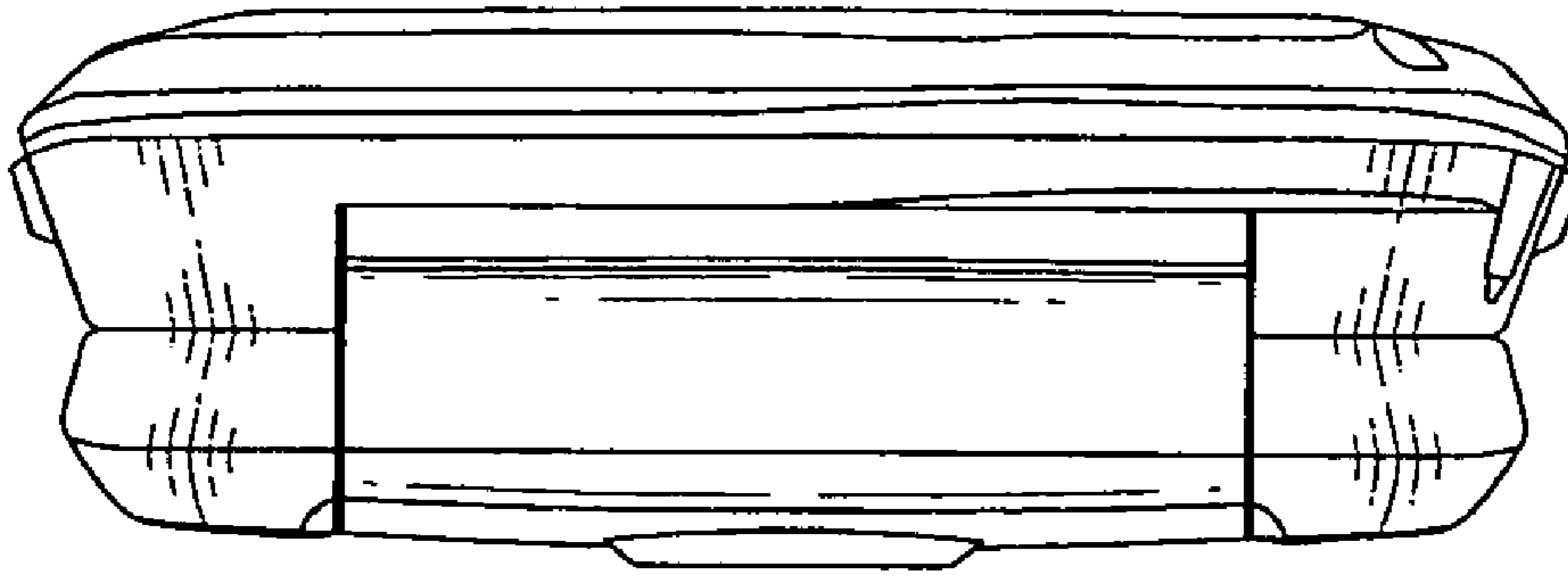


FIG. 7

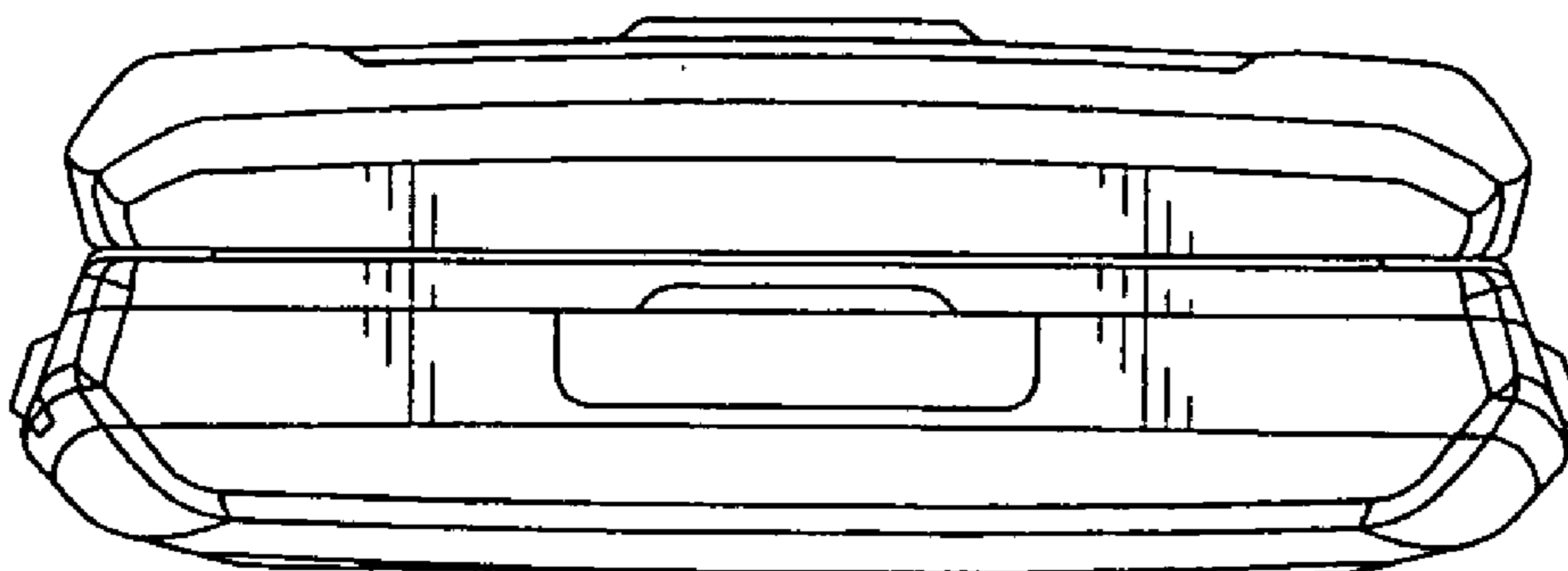


FIG.8

