



US00D571757S

(12) **United States Design Patent**  
**Kesler et al.**

(10) **Patent No.:** **US D571,757 S**  
(45) **Date of Patent:** **\*\* Jun. 24, 2008**

(54) **WIRELESS HANDHELD RADIO RECEIVER**

(75) Inventors: **James R. Kesler**, Pullman, WA (US);  
**Adam Thomas Belote**, Moscow, ID  
(US); **Eric L. Horn**, Pullman, WA (US)

(73) Assignee: **Schweitzer Engineering Laboratories, Inc.**, Pullman, WA (US)

(\*\*) Term: **14 Years**

(21) Appl. No.: **29/260,160**

(22) Filed: **May 19, 2006**

(51) **LOC (8) Cl.** ..... **14-03**

(52) **U.S. Cl.** ..... **D14/137**

(58) **Field of Classification Search** ..... D14/137-138,  
D14/144, 188, 147-148, 155, 159, 191-192,  
D14/194, 240, 197-198, 358, 225, 247-248,  
D14/383-385, 417, 496, 218; 379/433.01,  
379/420.01-420.04, 419, 440, 428.01-428.04;  
D10/104-106; 340/573.1, 573.3-573.4;  
361/814; 455/90.2-90.3, 347-349, 351,  
455/556.1, 575.1; D13/168

See application file for complete search history.

(56) **References Cited**

U.S. PATENT DOCUMENTS

D281,600	S	*	12/1985	Claxton et al.	.....	D14/191
D281,975	S	*	12/1985	Oyamada	.....	D14/197
D295,404	S	*	4/1988	Tokiyama	.....	D14/137
D303,529	S	*	9/1989	Scheid et al.	.....	D14/191
D310,218	S	*	8/1990	Murphy	.....	D14/137
D355,385	S	*	2/1995	Abrams	.....	D10/104
D375,950	S	*	11/1996	Jones et al.	.....	D14/137
D431,486	S	*	10/2000	Iseli et al.	.....	D10/106

6,415,138	B2	*	7/2002	Sirola et al.	.....	455/90.1
D519,101	S	*	4/2006	Alwicker et al.	.....	D14/188
D536,692	S	*	2/2007	Alwicker et al.	.....	D14/188
D548,713	S	*	8/2007	Lee et al.	.....	D14/138
D554,608	S	*	11/2007	Mukai et al.	.....	D14/137

\* cited by examiner

*Primary Examiner*—Ian Simmons

*Assistant Examiner*—Carla Wright

(74) *Attorney, Agent, or Firm*—Cook, Alex, McFarron,  
Manzo, Cummings & Mehler, Ltd.

(57) **CLAIM**

The ornamental design for a wireless handheld radio receiver,  
as shown and described.

**DESCRIPTION**

FIG. 1 is a perspective view of the wireless handheld radio receiver.

FIG. 2 is a front view of the wireless handheld radio receiver.

FIG. 3 is a back view of the wireless handheld radio receiver.

FIG. 4 is a right side view of the wireless handheld radio receiver.

FIG. 5 is a left side view of the wireless handheld radio receiver.

FIG. 6 is a top view of the wireless handheld radio receiver;  
and,

FIG. 7 is a bottom view of the wireless handheld radio receiver.

The broken line showing of environmental structures is for illustrative purposes only and forms no part of the claimed design.

**1 Claim, 5 Drawing Sheets**

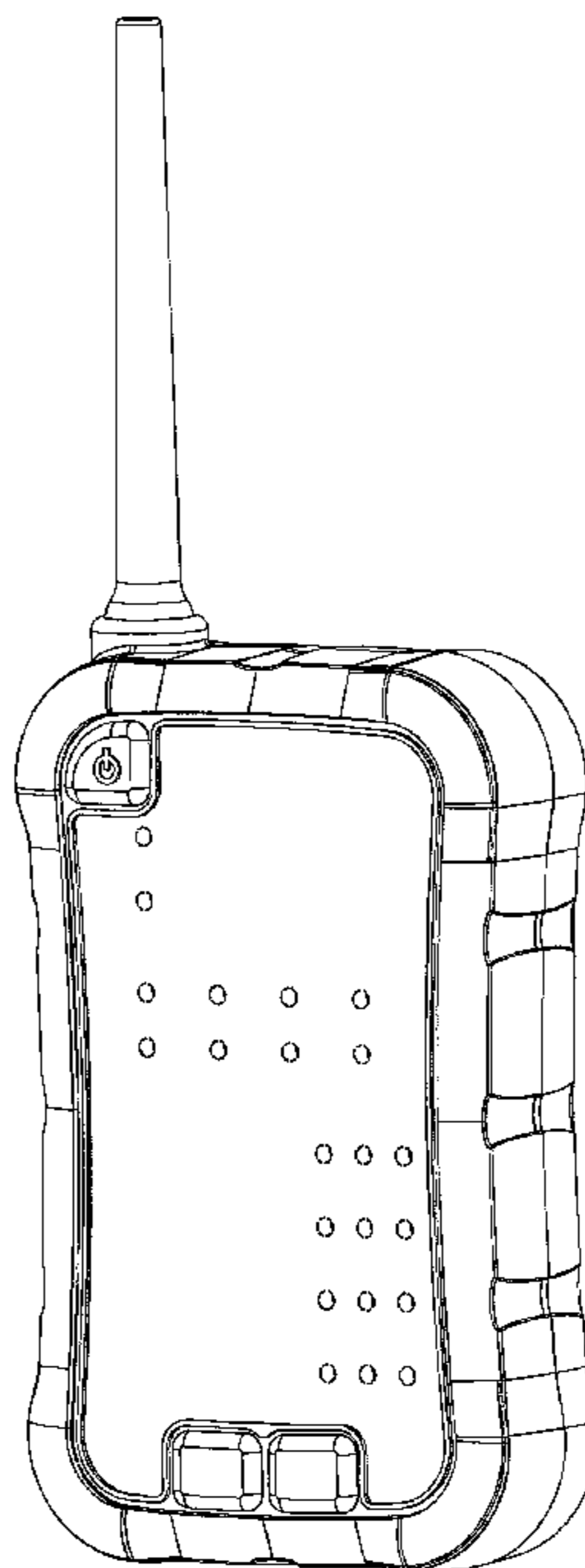
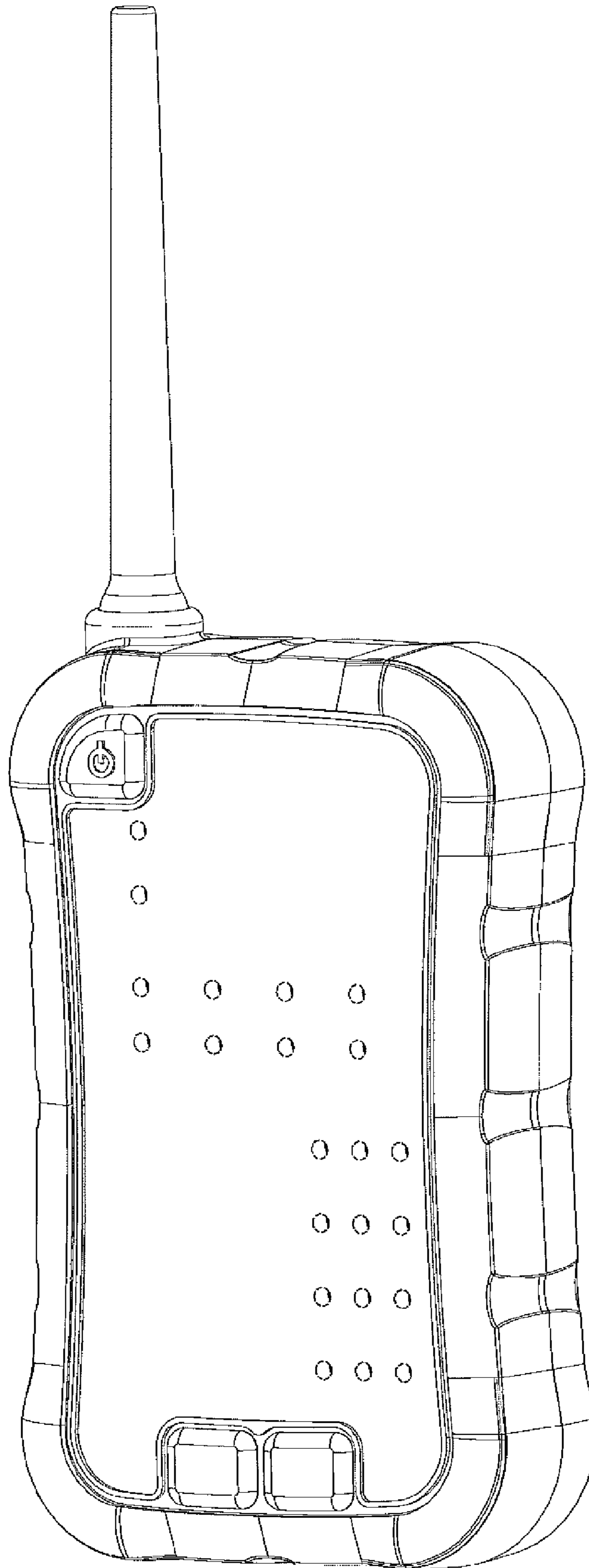


Figure 1



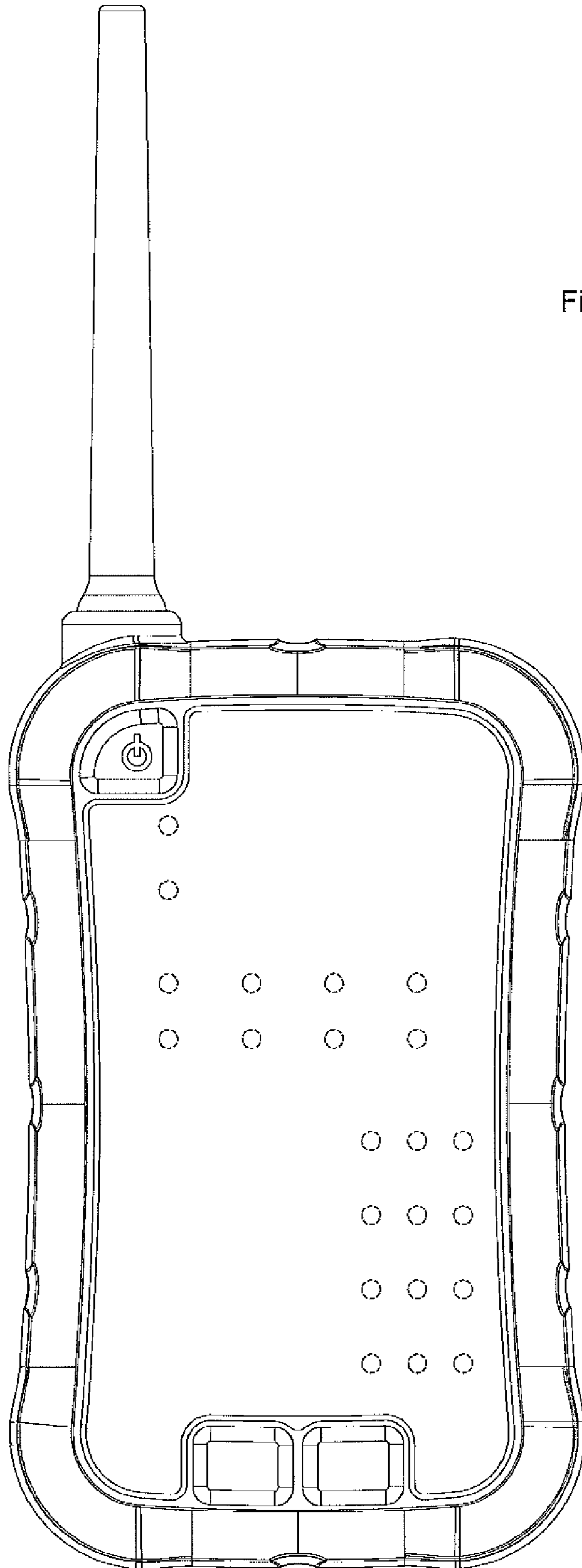


Figure 2

Figure 3

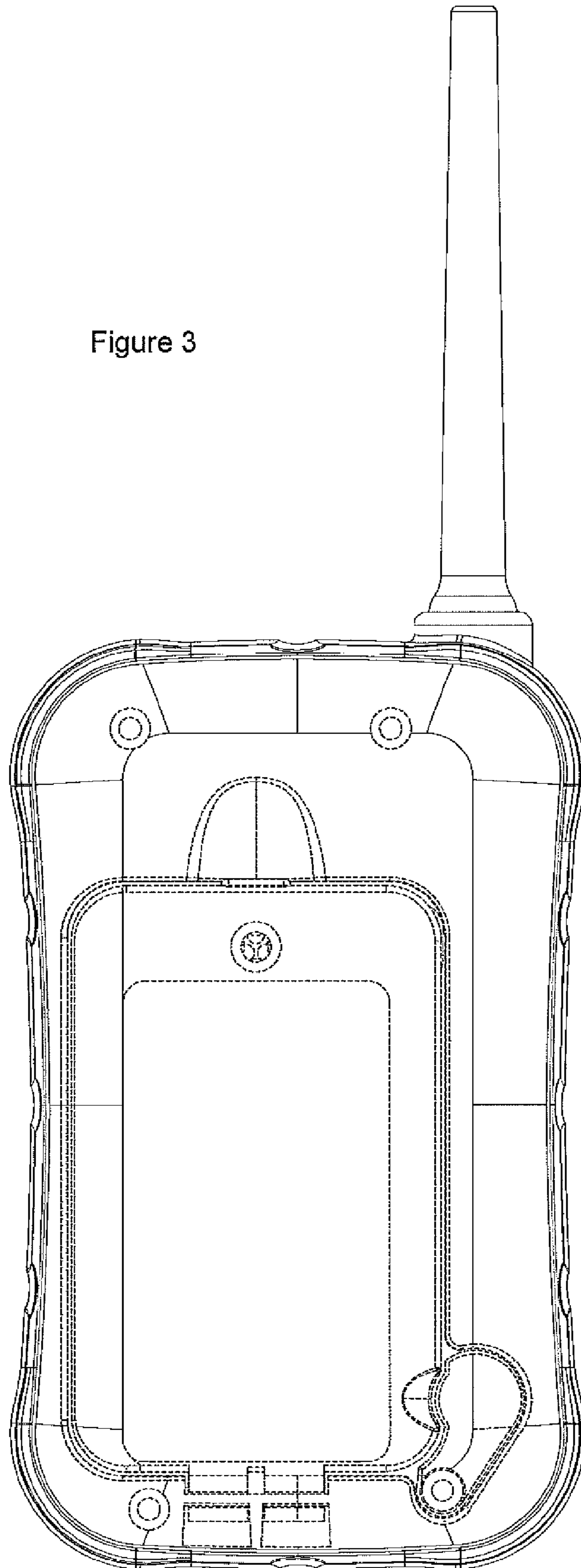


Figure 4

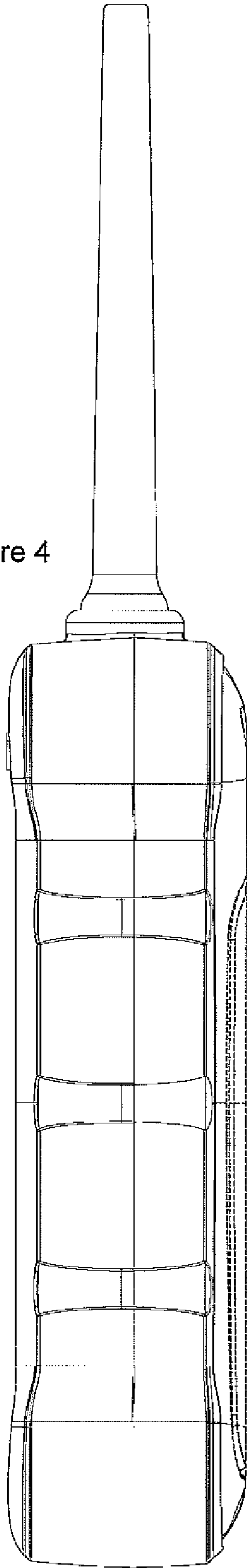
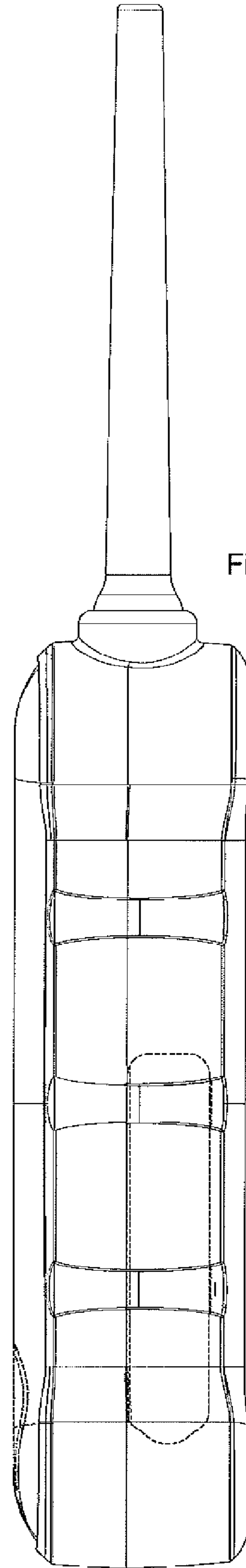


Figure 5



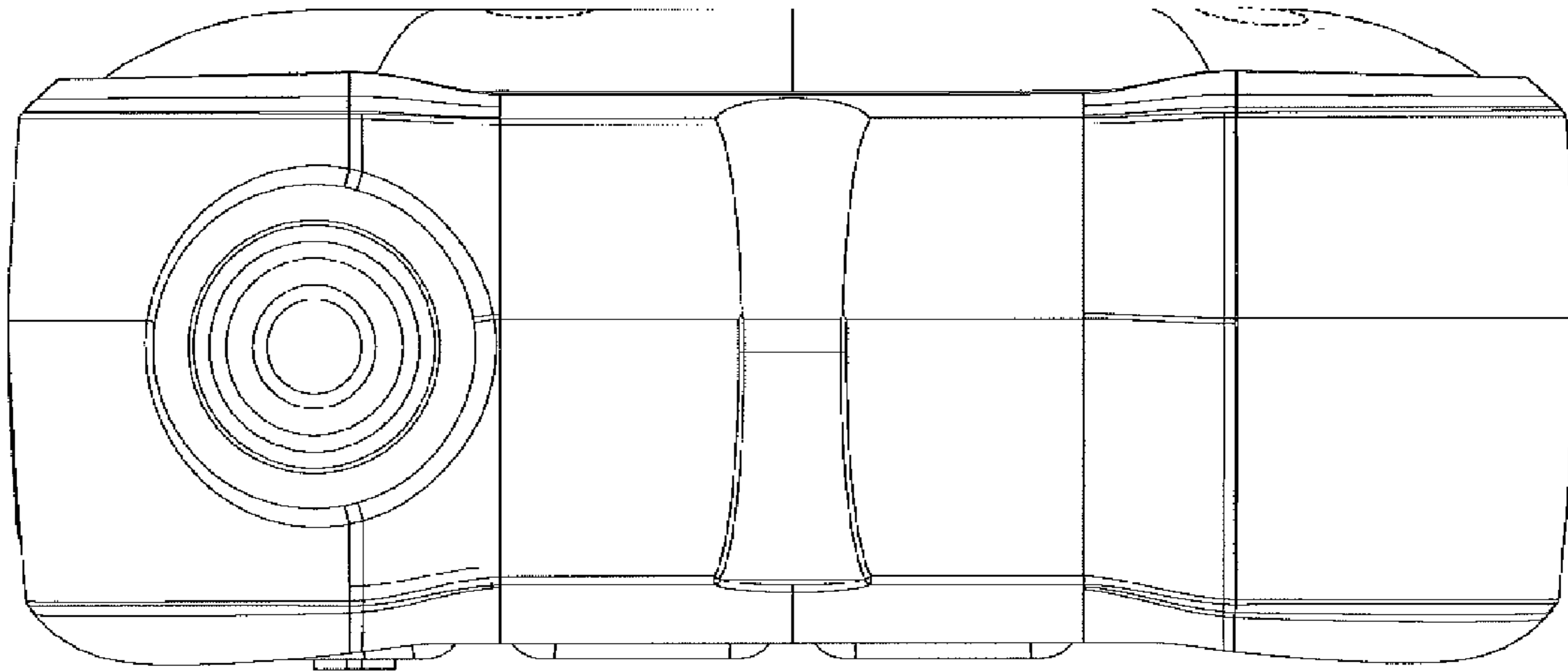


Figure 6

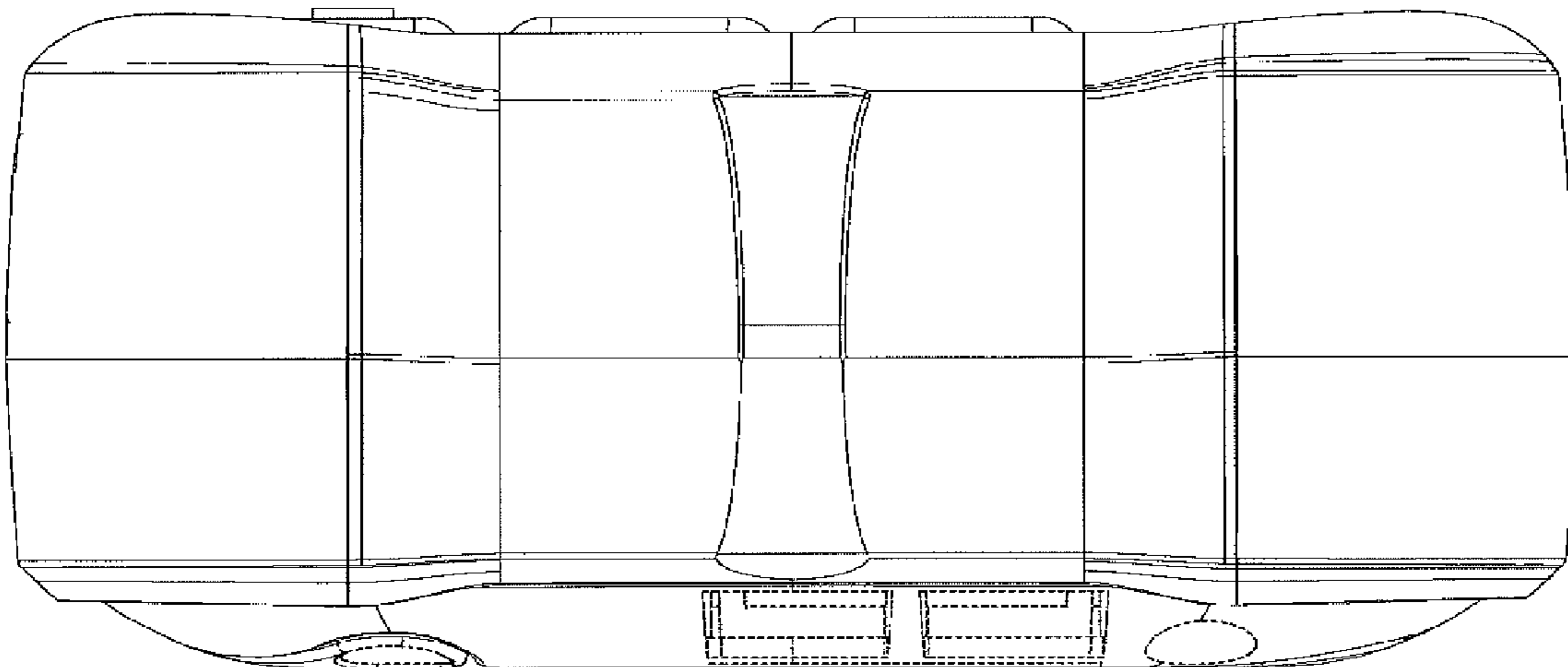


Figure 7