



US00D571756S

(12) **United States Design Patent**  
**Sugiyama et al.**

(10) **Patent No.:** **US D571,756 S**  
(45) **Date of Patent:** **\*\* Jun. 24, 2008**

(54) **COMBINED HARD DISC RECORDER AND DISC PLAYER**

(75) Inventors: **Naoki Sugiyama**, Tokyo (JP); **Tetsu Sumii**, Tokyo (JP)

(73) Assignee: **Sony Corporation**, Tokyo (JP)

(\*\*) Term: **14 Years**

(21) Appl. No.: **29/272,853**

(22) Filed: **Feb. 21, 2007**

(30) **Foreign Application Priority Data**

Oct. 11, 2006 (JP) ..... D2006-027350

(51) **LOC (8) Cl.** ..... **14-01**

(52) **U.S. Cl.** ..... **D14/136; D14/168**

(58) **Field of Classification Search** ..... D14/135-136, D14/156, 167-168, 188, 197-198, 217, 445, D14/496; 360/99.02, 99.07; 369/75.11, 369/75.12, 77.11, 77.12, 25.01; 720/612, 720/619, 647, 655; 455/344, 347-351  
See application file for complete search history.

(56) **References Cited**

**U.S. PATENT DOCUMENTS**

- D415,491 S \* 10/1999 Yano et al. .... D14/168
- D421,007 S 2/2000 Nagai
- D435,026 S 12/2000 Sasago
- D443,868 S \* 6/2001 Ito et al. .... D14/168
- D499,080 S \* 11/2004 Matsuoka ..... D14/156
- D506,990 S \* 7/2005 Hibino ..... D14/162
- D513,611 S \* 1/2006 Hibi ..... D14/156

- D516,539 S 3/2006 Masui
- D518,021 S \* 3/2006 Tanaka ..... D14/168
- D522,491 S 6/2006 Motoishi
- D540,294 S \* 4/2007 Yamashita ..... D14/156
- D553,117 S \* 10/2007 Corsini ..... D14/168
- D556,713 S \* 12/2007 Miyawaki et al. .... D14/136
- D558,186 S \* 12/2007 Kim et al. .... D14/214

**FOREIGN PATENT DOCUMENTS**

JP D1278627 S 8/2006

\* cited by examiner

*Primary Examiner*—Nanda Bondade

(74) *Attorney, Agent, or Firm*—Rader, Fishman & Grauer, PLLC

(57) **CLAIM**

The ornamental design for a combined hard disc recorder and disc player, as shown and described.

**DESCRIPTION**

FIG. 1 is a perspective view of a combined hard disc recorder and disc player showing our new design;

FIG. 2 is a front elevational view thereof;

FIG. 3 is a rear elevational view thereof;

FIG. 4 is a left side elevational view thereof;

FIG. 5 is a right side elevational view thereof;

FIG. 6 is a top plan view thereof; and,

FIG. 7 is a bottom plan view thereof.

Portions shown as broken lines are for illustrative purpose only and form no part of the claimed design.

**1 Claim, 7 Drawing Sheets**

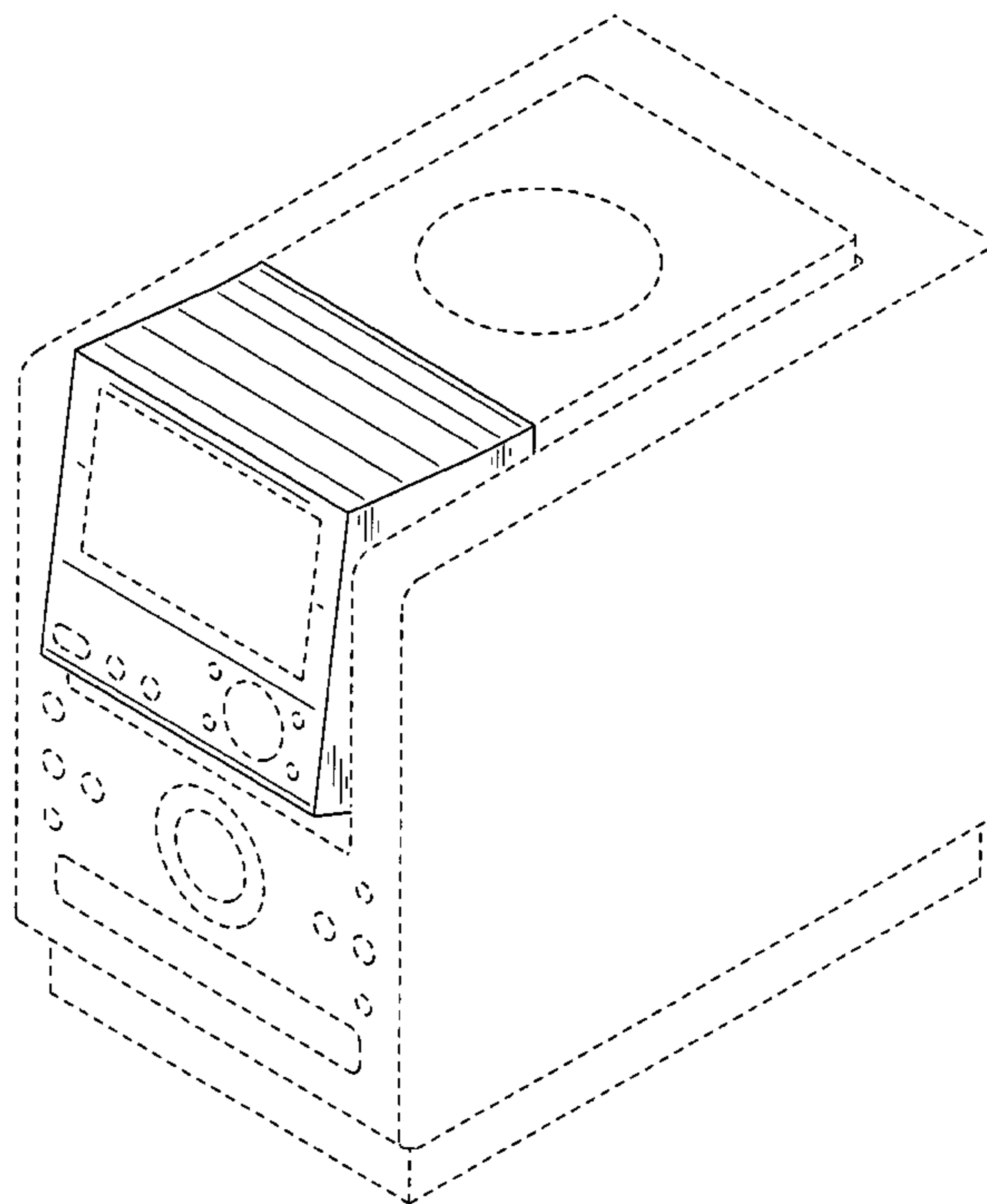


Fig. 1

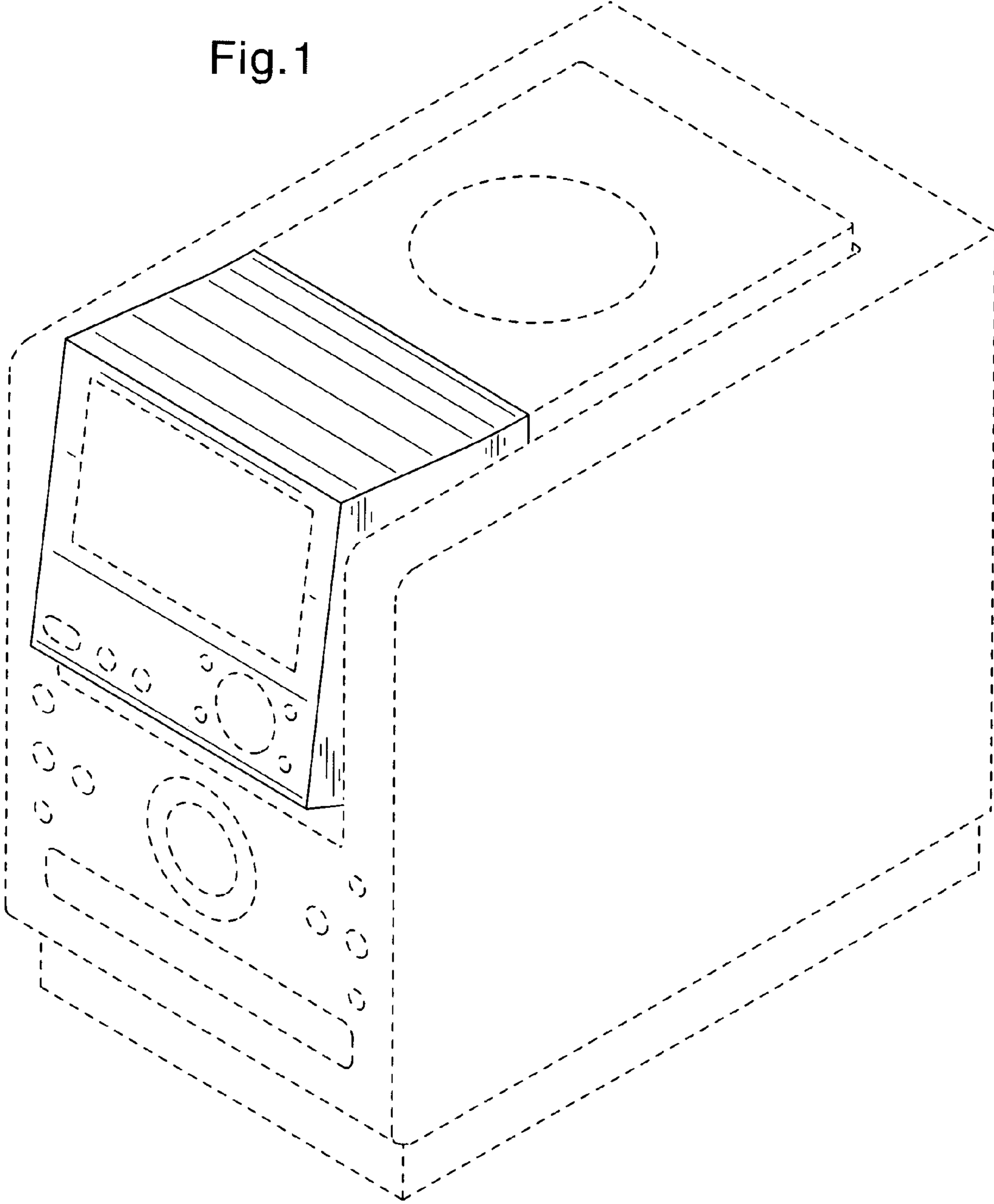


Fig.2

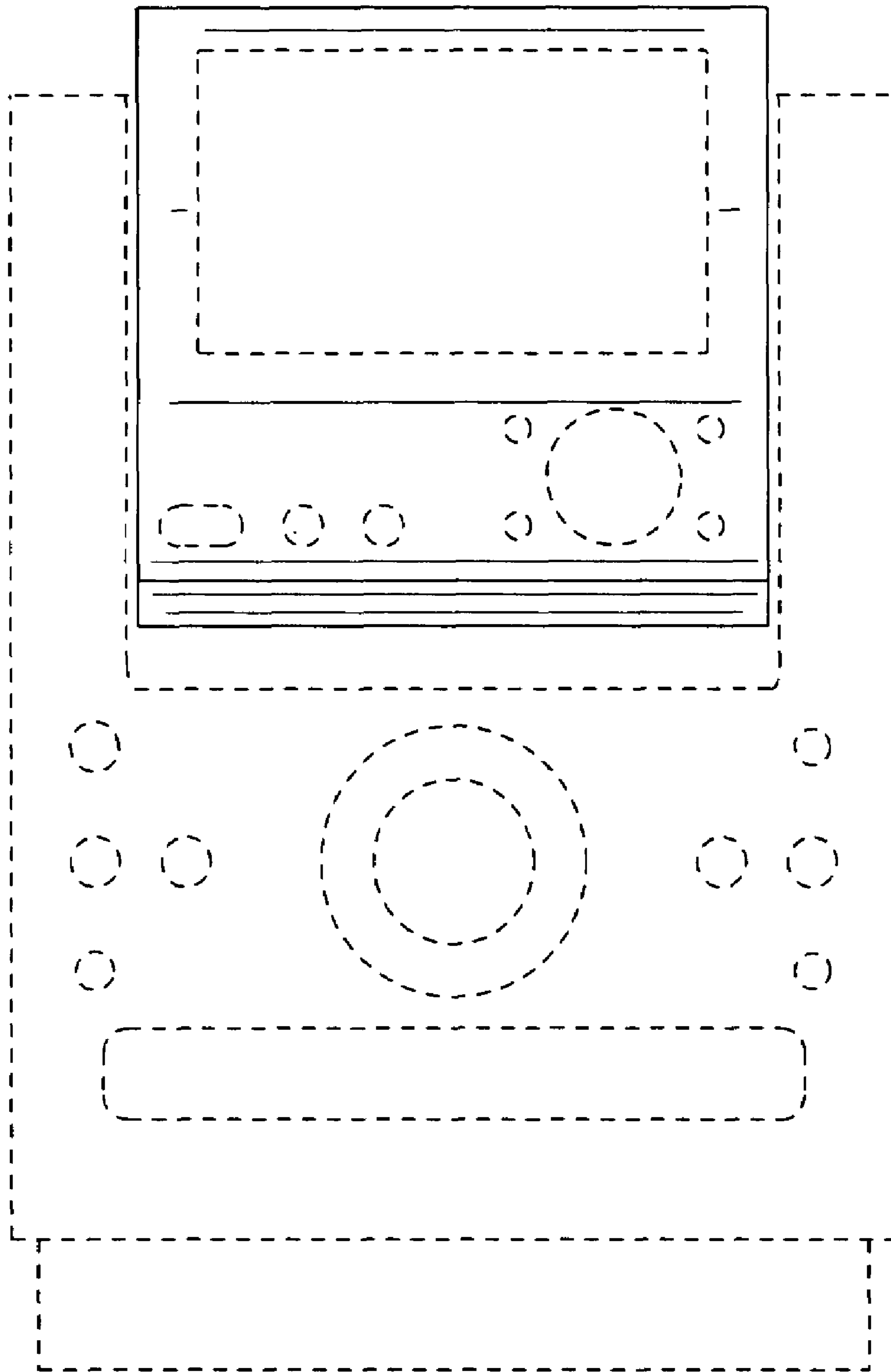


Fig.3

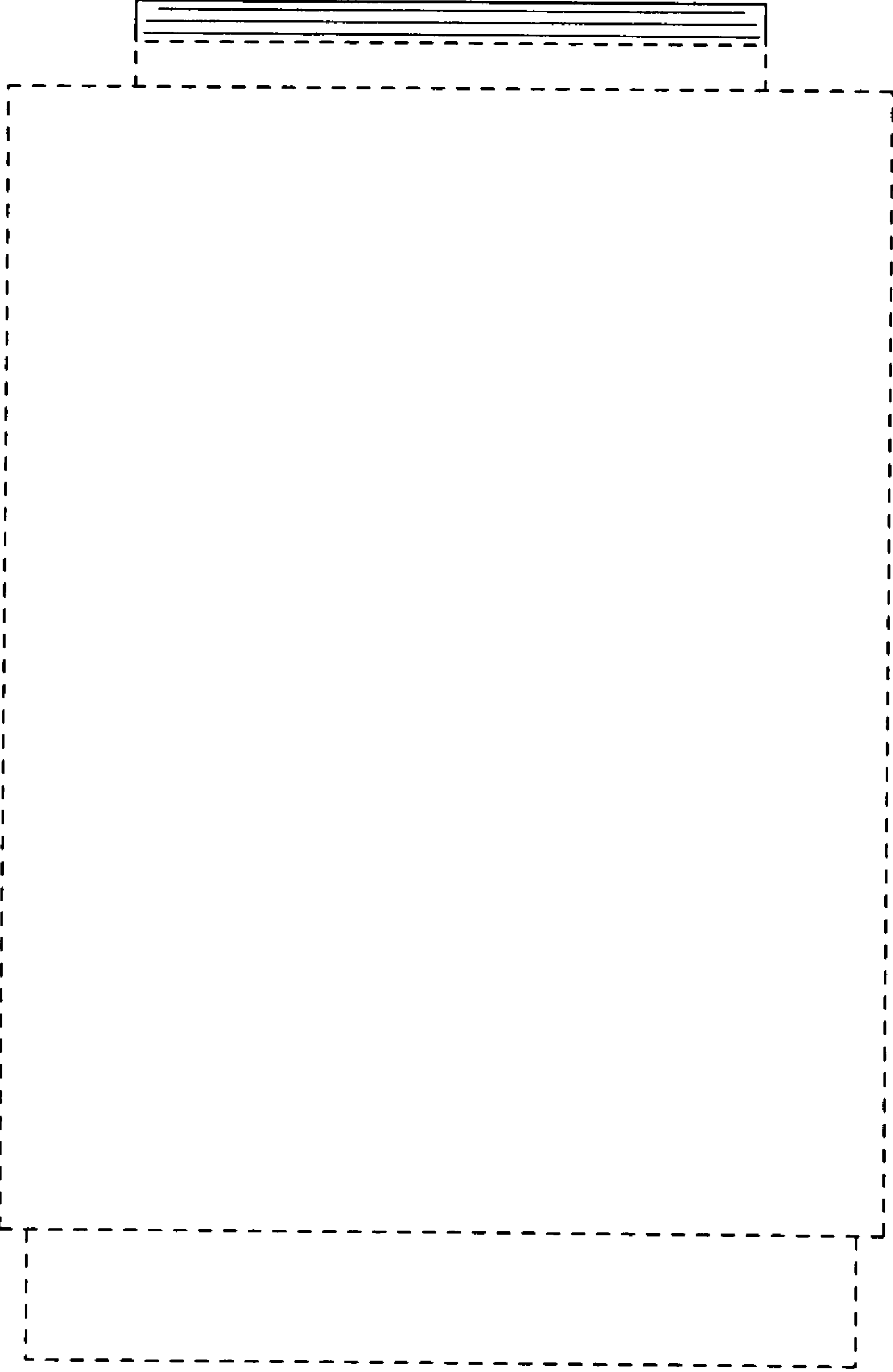


Fig.4

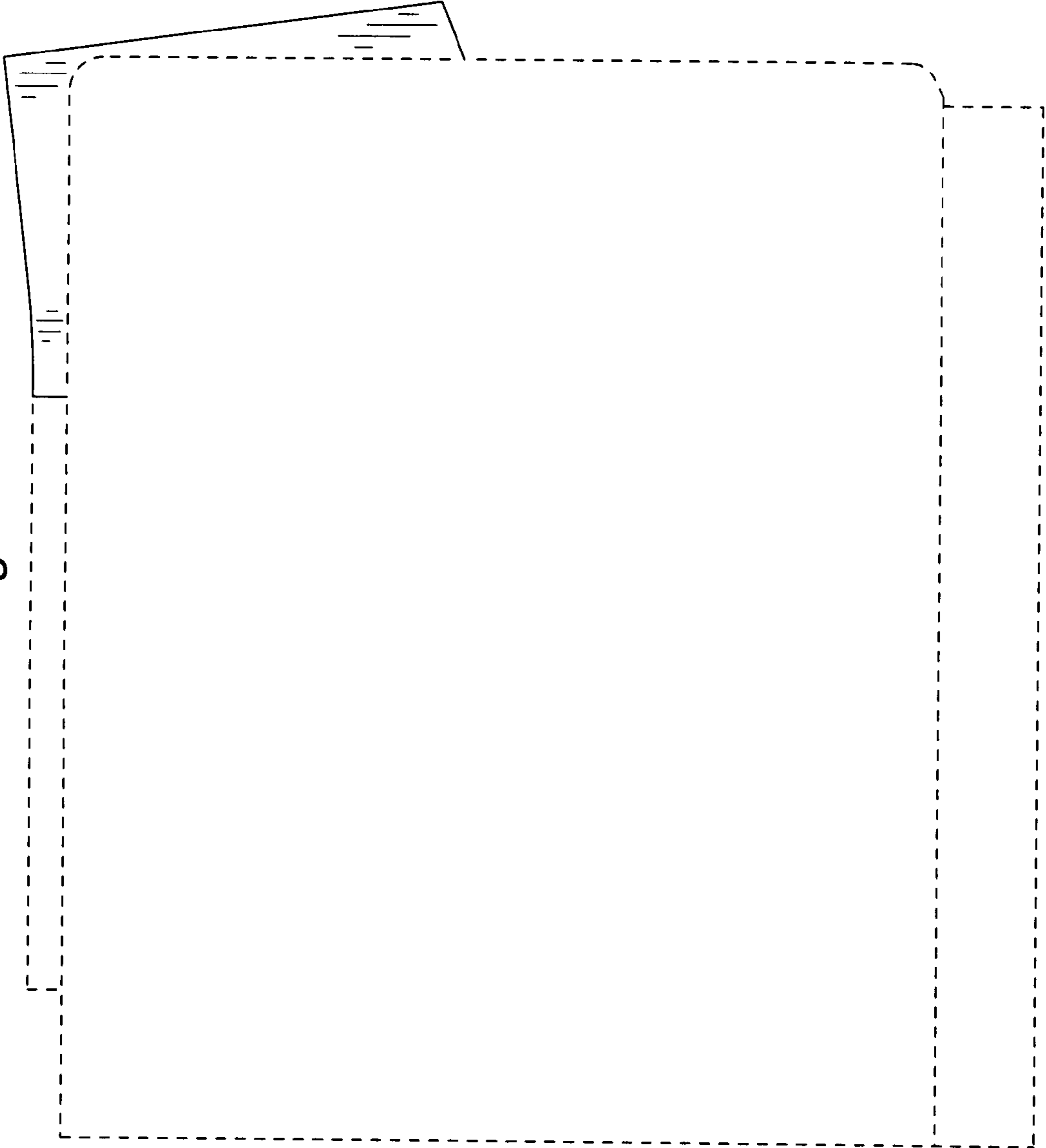


Fig. 5

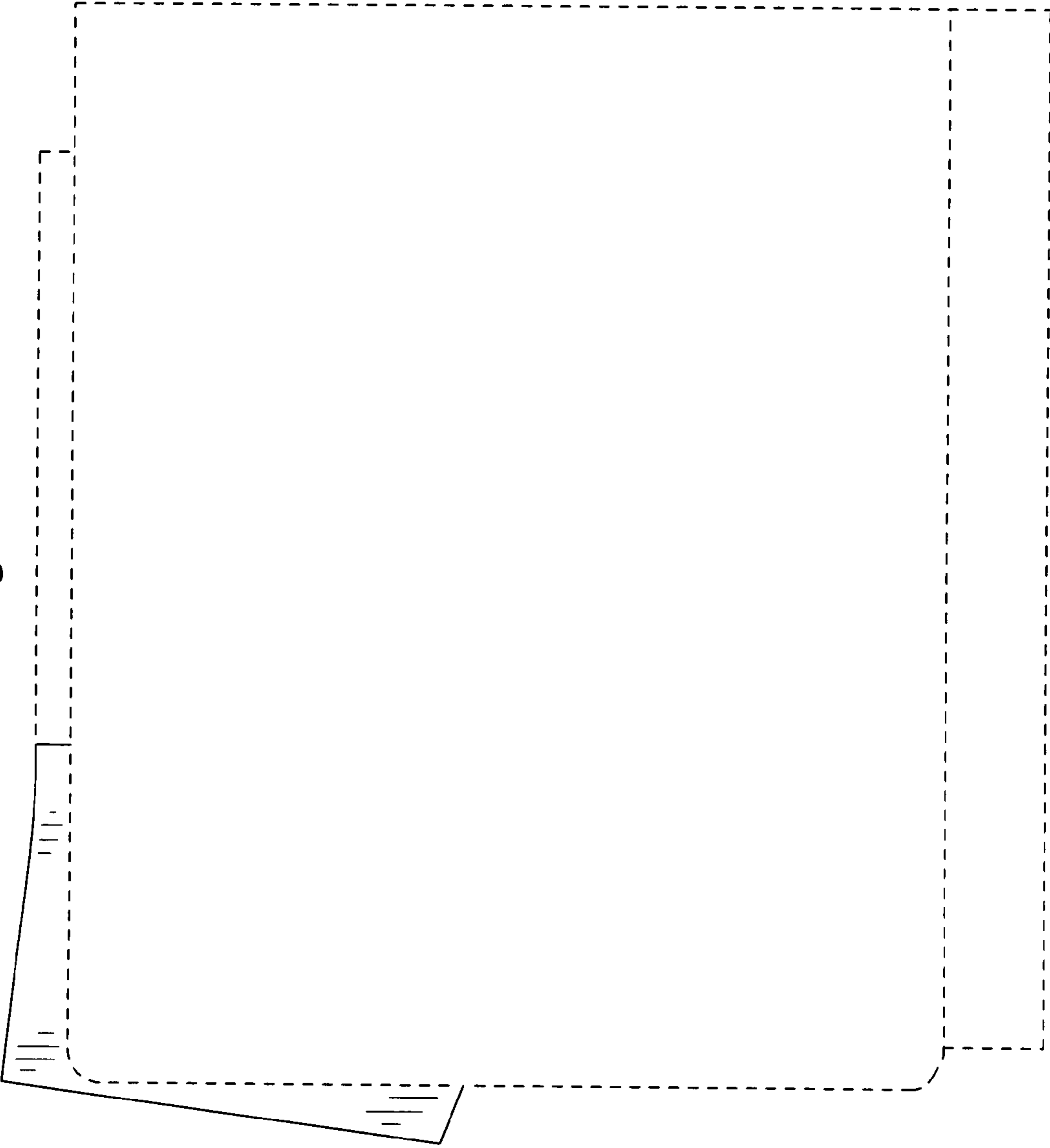


Fig.6

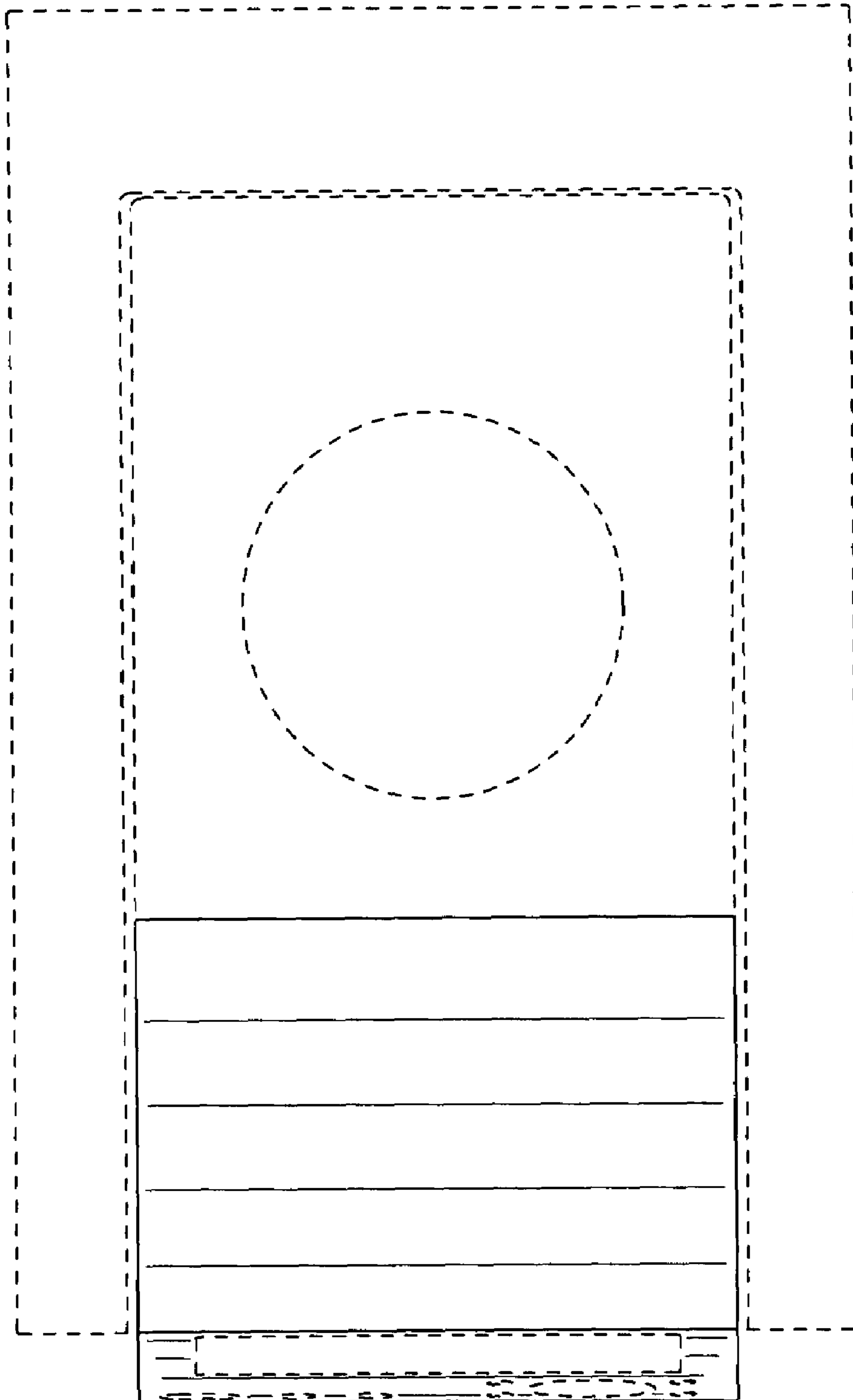


Fig.7

