



US00D571753S

(12) **United States Design Patent**
Bloem

(10) **Patent No.:** **US D571,753 S**
(45) **Date of Patent:** **** Jun. 24, 2008**

(54) **TELEVISION SET**

(75) Inventor: **Reinier Bloem**, Taipei (TW)

(73) Assignee: **Hannspree Inc.**, Taipei (TW)

(**) Term: **14 Years**

(21) Appl. No.: **29/287,253**

(22) Filed: **Jul. 16, 2007**

(30) **Foreign Application Priority Data**

May 4, 2007 (TW) 96302475

(51) **LOC (8) Cl.** **14-03**

(52) **U.S. Cl.** **D14/126**

(58) **Field of Classification Search** D14/125-134,
D14/239, 371, 136, 374-377, 440, 450, 448,
D14/336, 342; 312/7.2; 348/836, 838, 180,
348/184, 325, 739; 341/12; 248/917-924,
248/465; 345/104, 133, 156, 168, 87, 173;
720/605, 669, 600, 655; 369/99, 197; 455/344,
455/347; D21/329, 515, 577, 622, 333, 433,
D21/448, 452, 450, 331; D6/477, 479; 273/148 B;
446/484, 175, 356; D10/15, 26
See application file for complete search history.

(56) **References Cited**

U.S. PATENT DOCUMENTS

D431,537 S * 10/2000 Saeki et al. D14/126

D500,034 S * 12/2004 Johnson D14/336
D512,387 S * 12/2005 Kita D14/126
D524,772 S * 7/2006 Reza D14/126
D524,774 S * 7/2006 Williams D14/126
D525,599 S * 7/2006 Voege D14/126
D525,954 S * 8/2006 Williams D14/126
D525,956 S * 8/2006 Lee D14/126
D558,699 S * 1/2008 Hoehn et al. D14/126
D560,626 S * 1/2008 Lee D14/126

* cited by examiner

Primary Examiner—Raphael Barkai

(74) *Attorney, Agent, or Firm*—Rosenberg, Klein & Lee

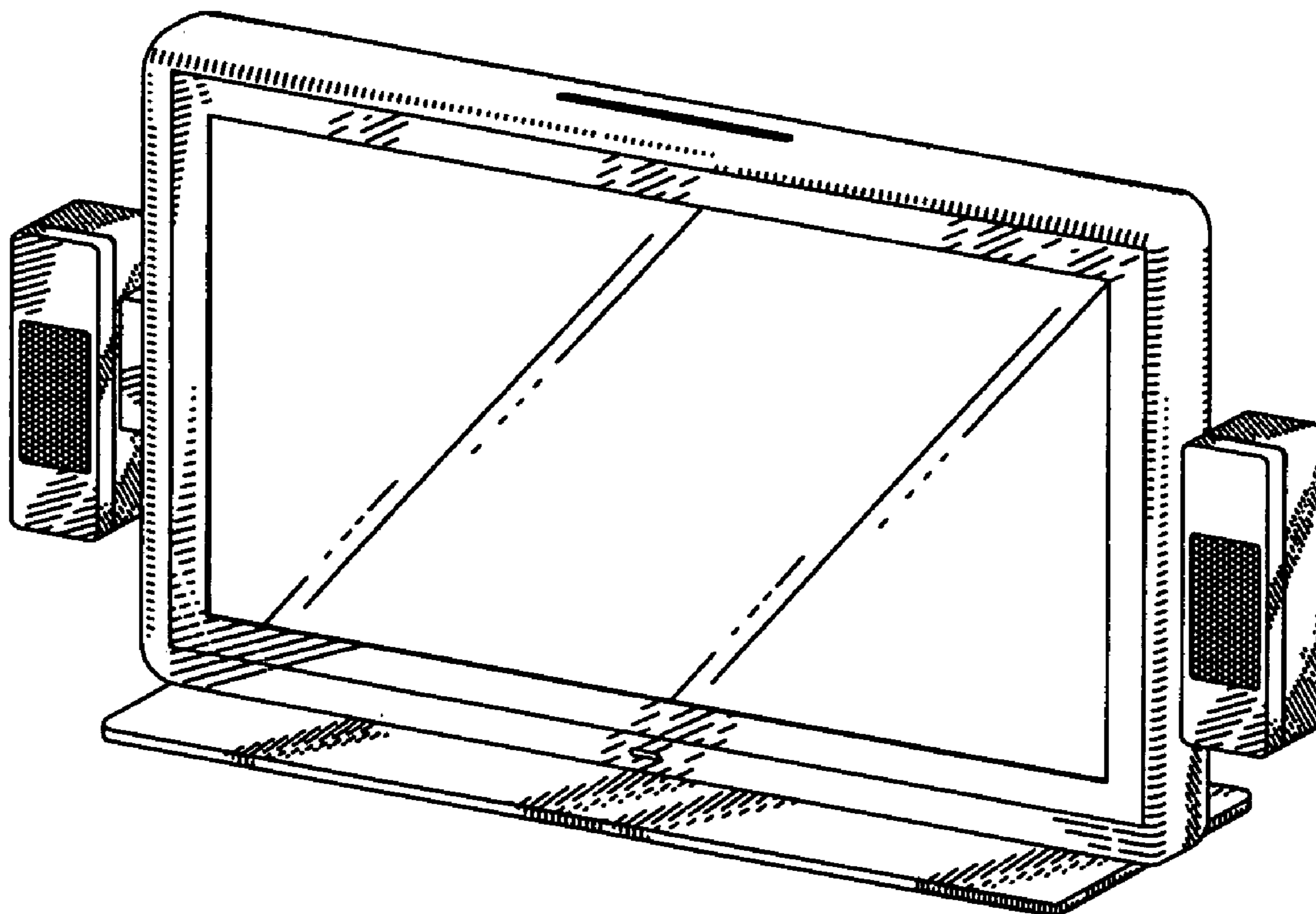
(57) **CLAIM**

The ornamental design for a television set, is substantially as shown and described.

DESCRIPTION

FIG. 1 is a perspective view of the television set;
FIG. 2 is a front view of the television set;
FIG. 3 is a back view of the television set;
FIG. 4 is a left side view of the television set;
FIG. 5 is a right side view of the television set;
FIG. 6 is a top plan view of the television set; and,
FIG. 7 is a bottom plan view of the television set.

1 Claim, 4 Drawing Sheets



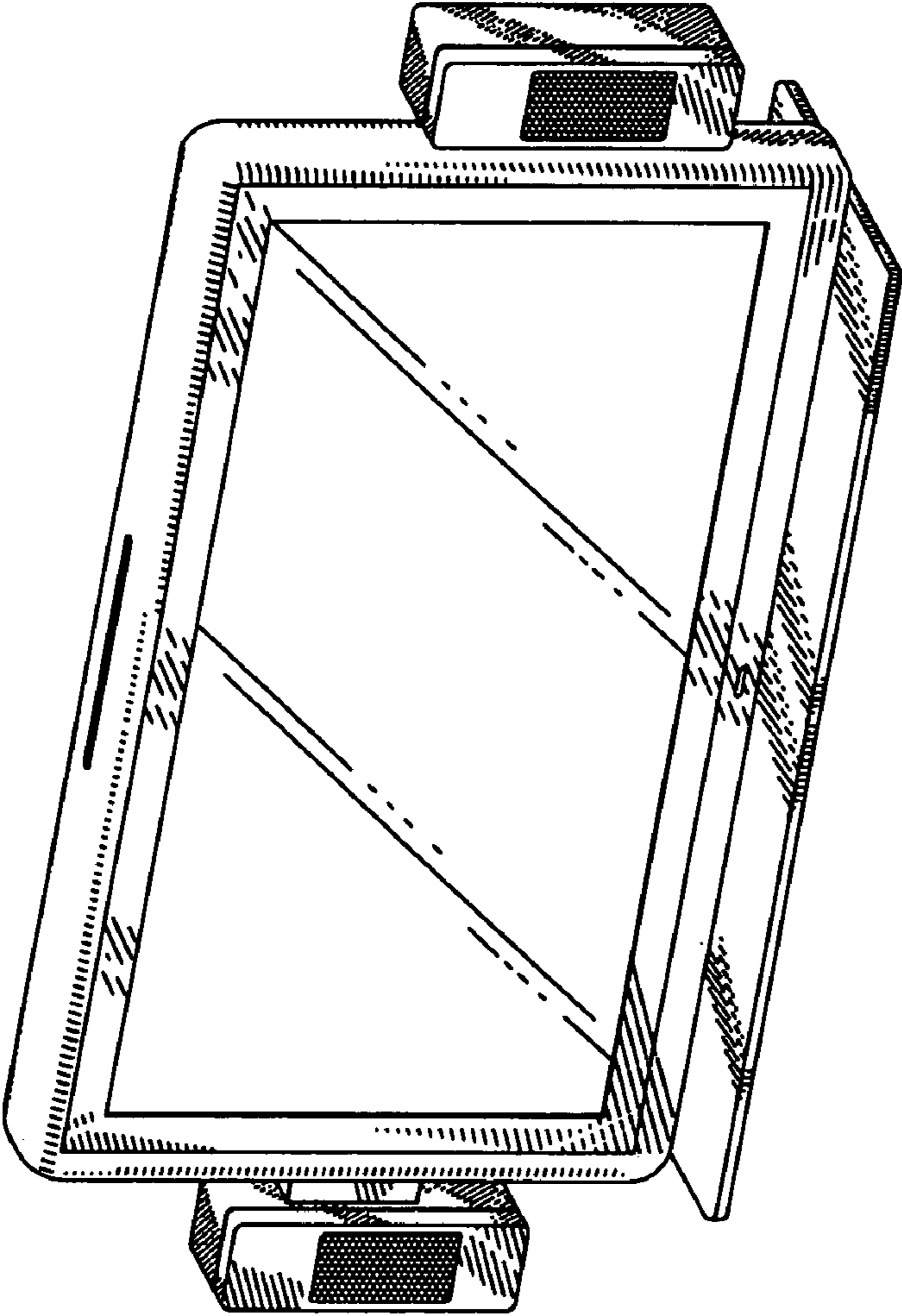


FIG.1

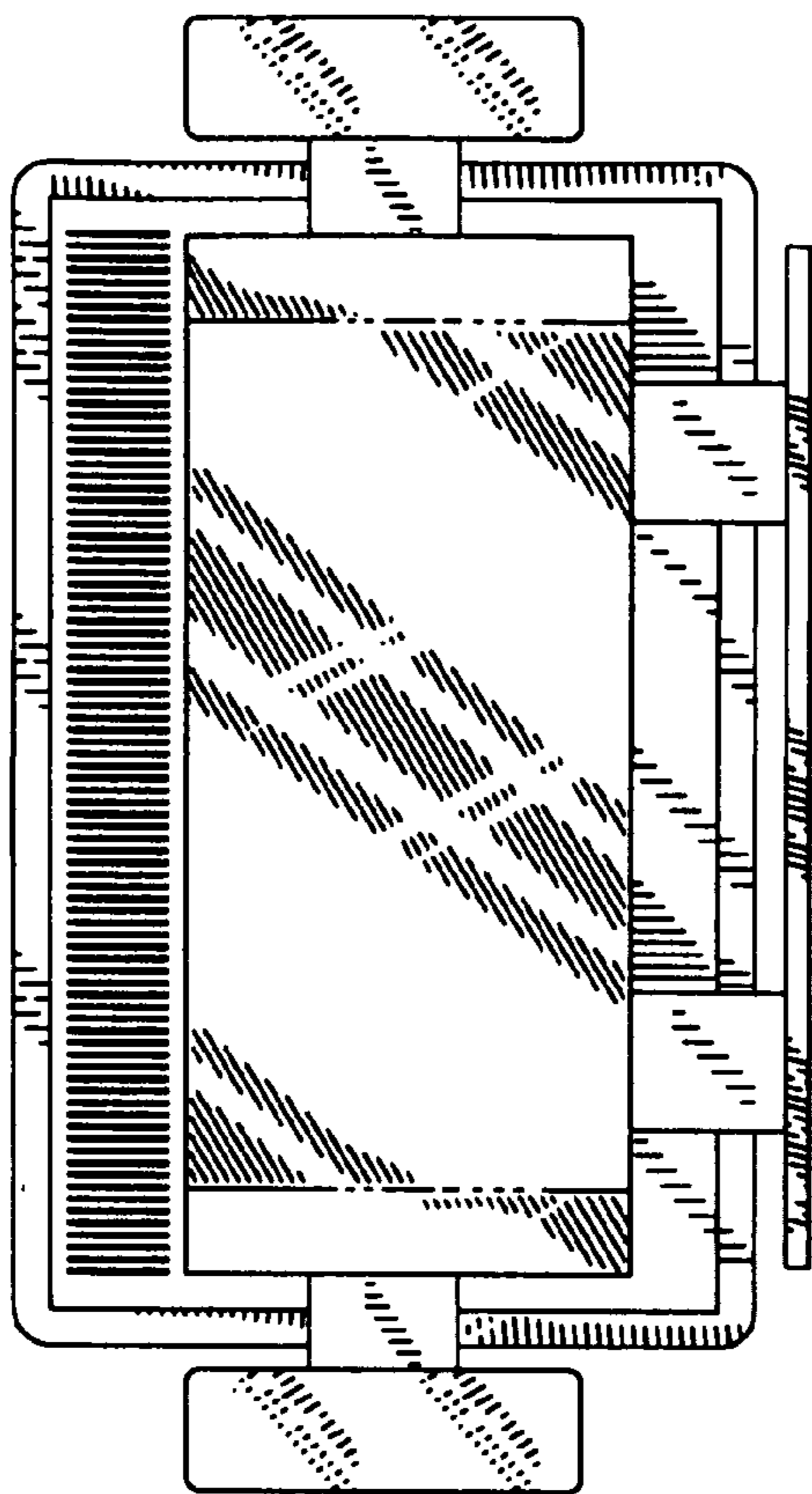


FIG.2

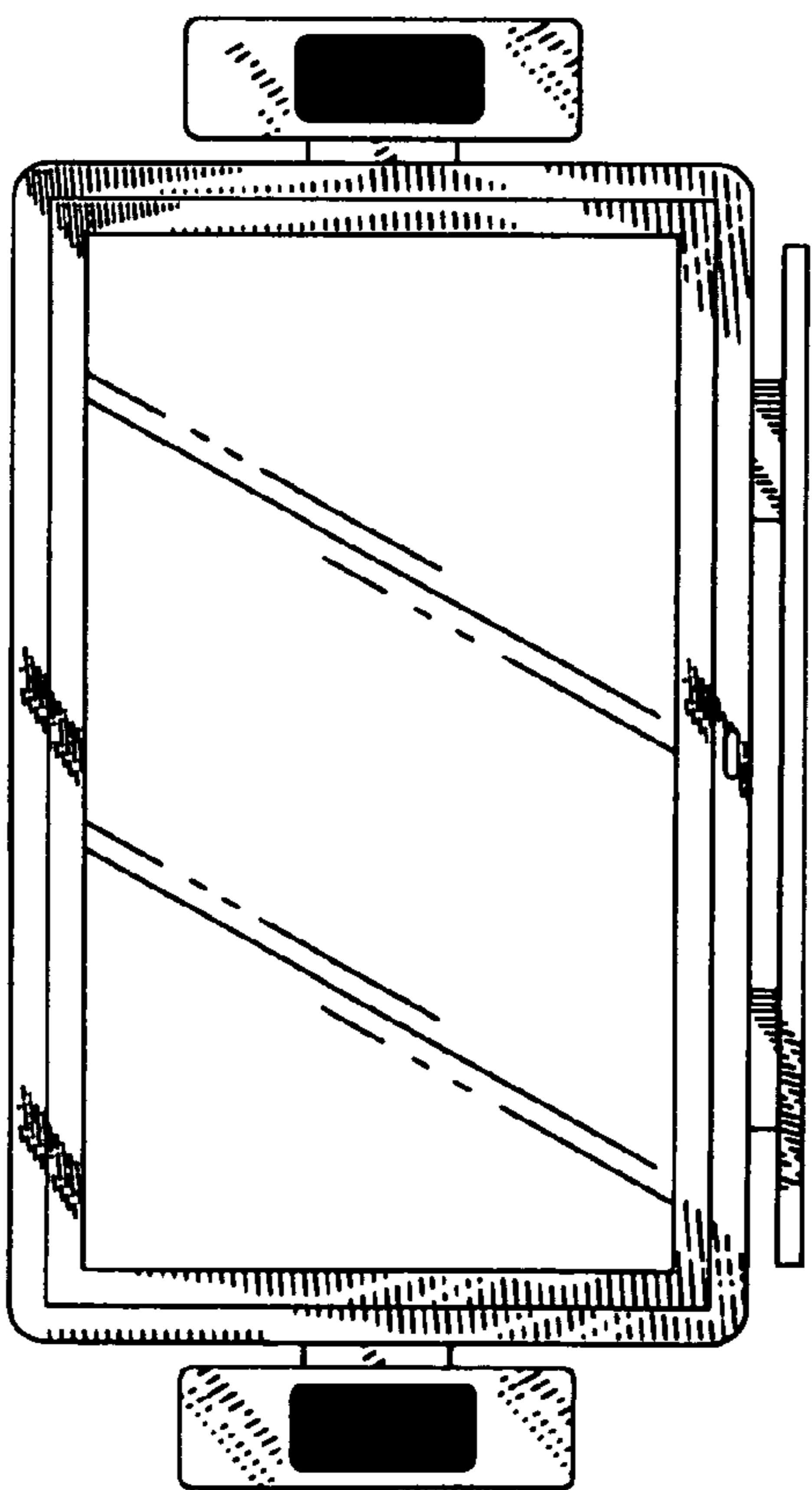


FIG.3

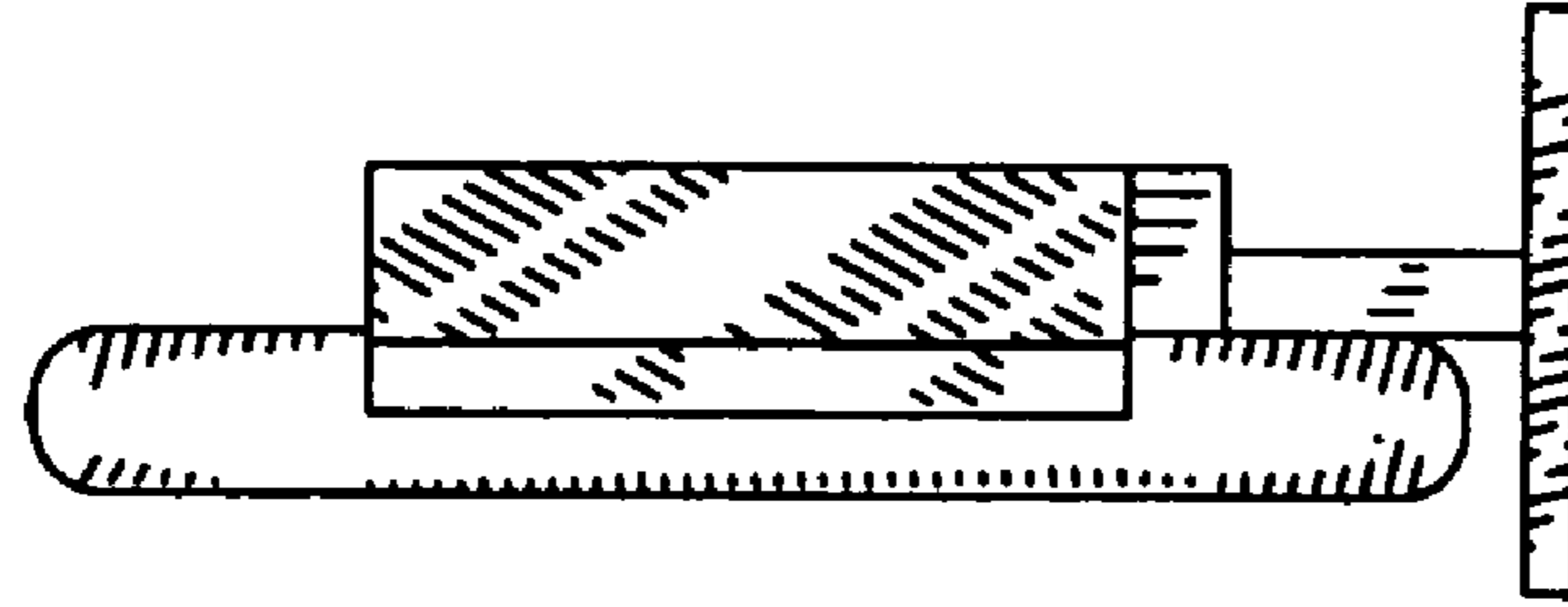


FIG. 5

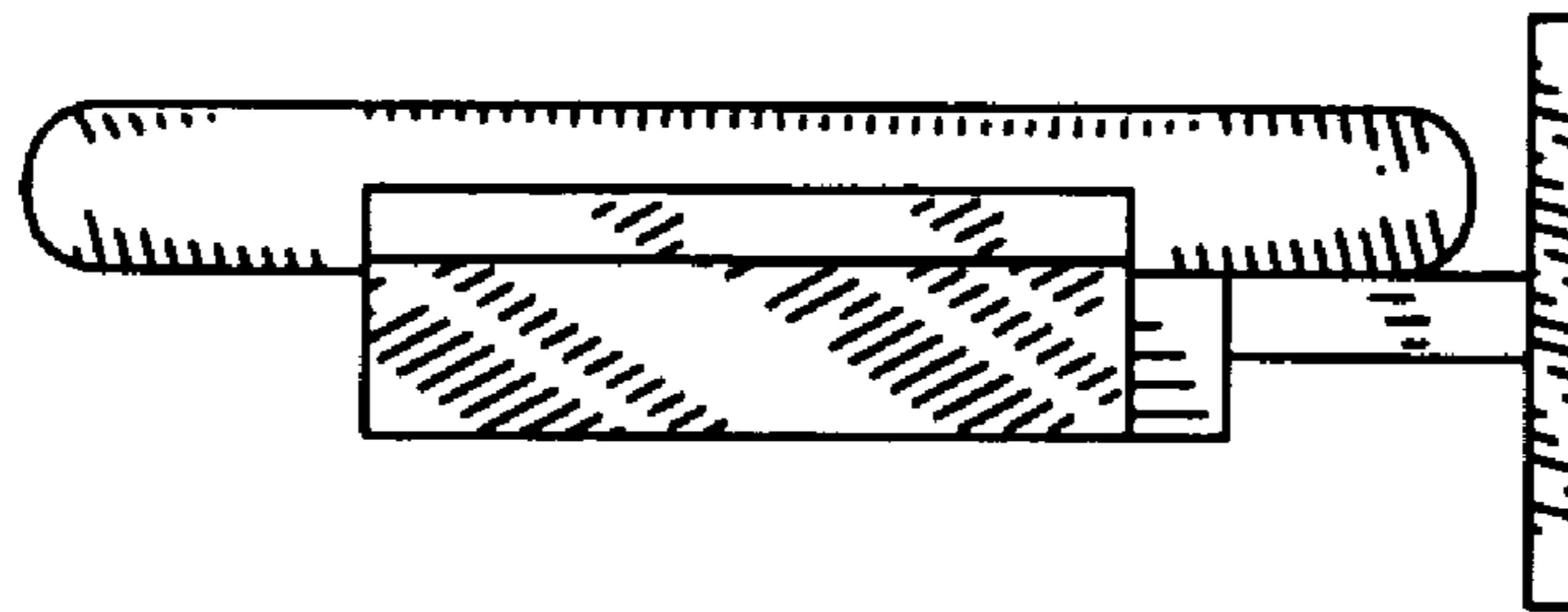


FIG. 4

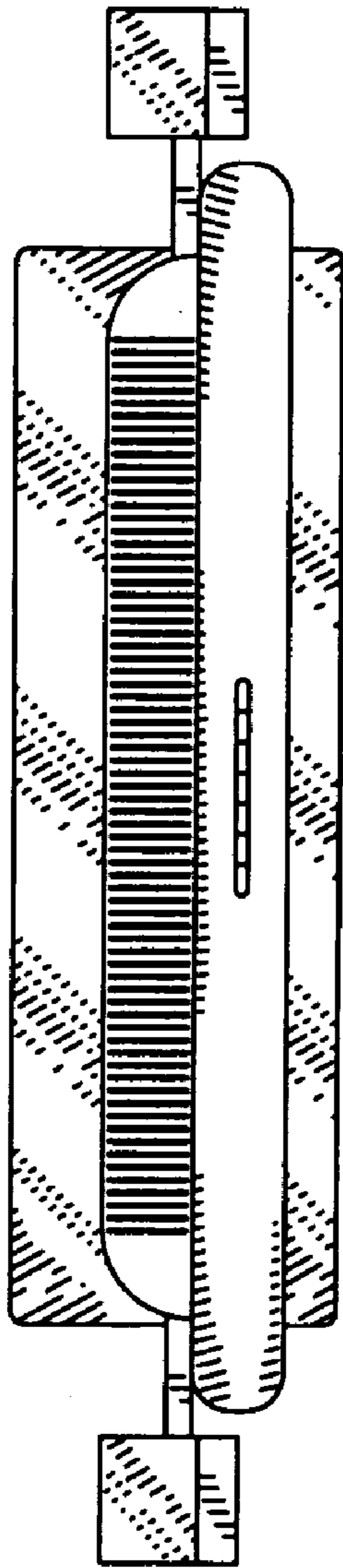


FIG. 6

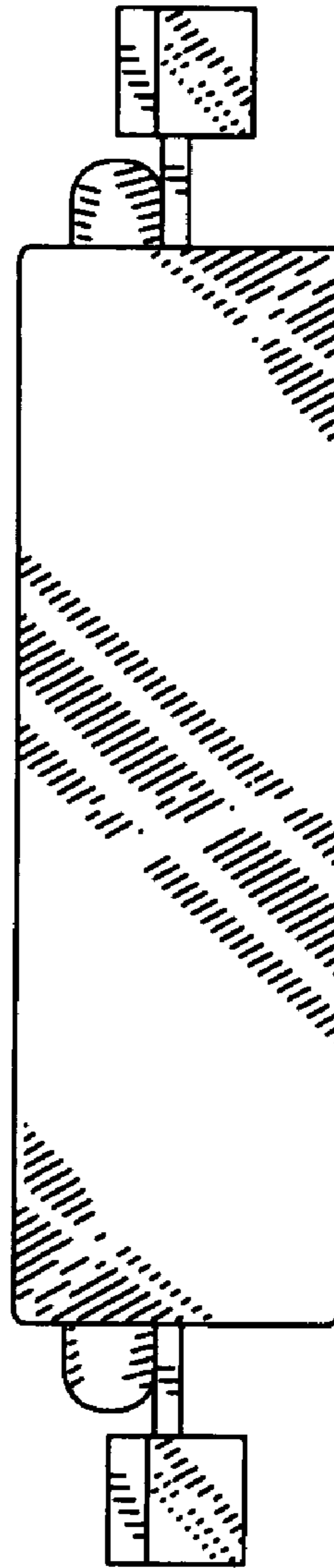


FIG. 7