



US00D571751S

(12) **United States Design Patent**
Lin

(10) **Patent No.:** **US D571,751 S**
(45) **Date of Patent:** **** Jun. 24, 2008**

(54) **TELEVISION SET**

D533,855 S * 12/2006 Rashid D14/126

(75) Inventor: **Roger Lin**, Taipei (TW)

D544,456 S * 6/2007 Bloem D14/126

D547,739 S * 7/2007 Lewis D14/126

(73) Assignee: **Hannspree, Inc.**, Taipei (TW)

(**) Term: **14 Years**

* cited by examiner

(21) Appl. No.: **29/284,222**

Primary Examiner—Raphael Barkai

(74) *Attorney, Agent, or Firm*—Baker & Daniels LLP

(22) Filed: **Sep. 4, 2007**

(57) **CLAIM**

(30) **Foreign Application Priority Data**

The ornamental design for television set, as shown and described.

Jun. 14, 2007 (TW) 96303296

(51) **LOC (8) Cl.** **14-03**

(52) **U.S. Cl.** **D14/126**

(58) **Field of Classification Search** D14/125–134,
D14/239, 371, 136, 374–377, 440, 450, 448,
D14/336, 342; 312/7.2; 348/836, 838, 180,
348/184, 325, 739; 341/12; 248/917–924,
248/465; 345/104, 133, 156, 168, 87, 173;
720/605, 669, 600, 655; 369/99, 197; 455/344,
455/347; D21/329, 515, 577, 622, 333, 433,
D21/448, 452, 450, 331; D6/477, 479; 273/148 B;
446/484, 175, 356; D10/15, 26

See application file for complete search history.

DESCRIPTION

FIG. 1 is a perspective view of television set showing my new design;

FIG. 2 is a front elevational view thereof;

FIG. 3 is a rear elevational view thereof;

FIG. 4 is a left side elevational view thereof;

FIG. 5 is a right side elevational view thereof;

FIG. 6 is a top plan view thereof;

FIG. 7 is a bottom plan view thereof; and,

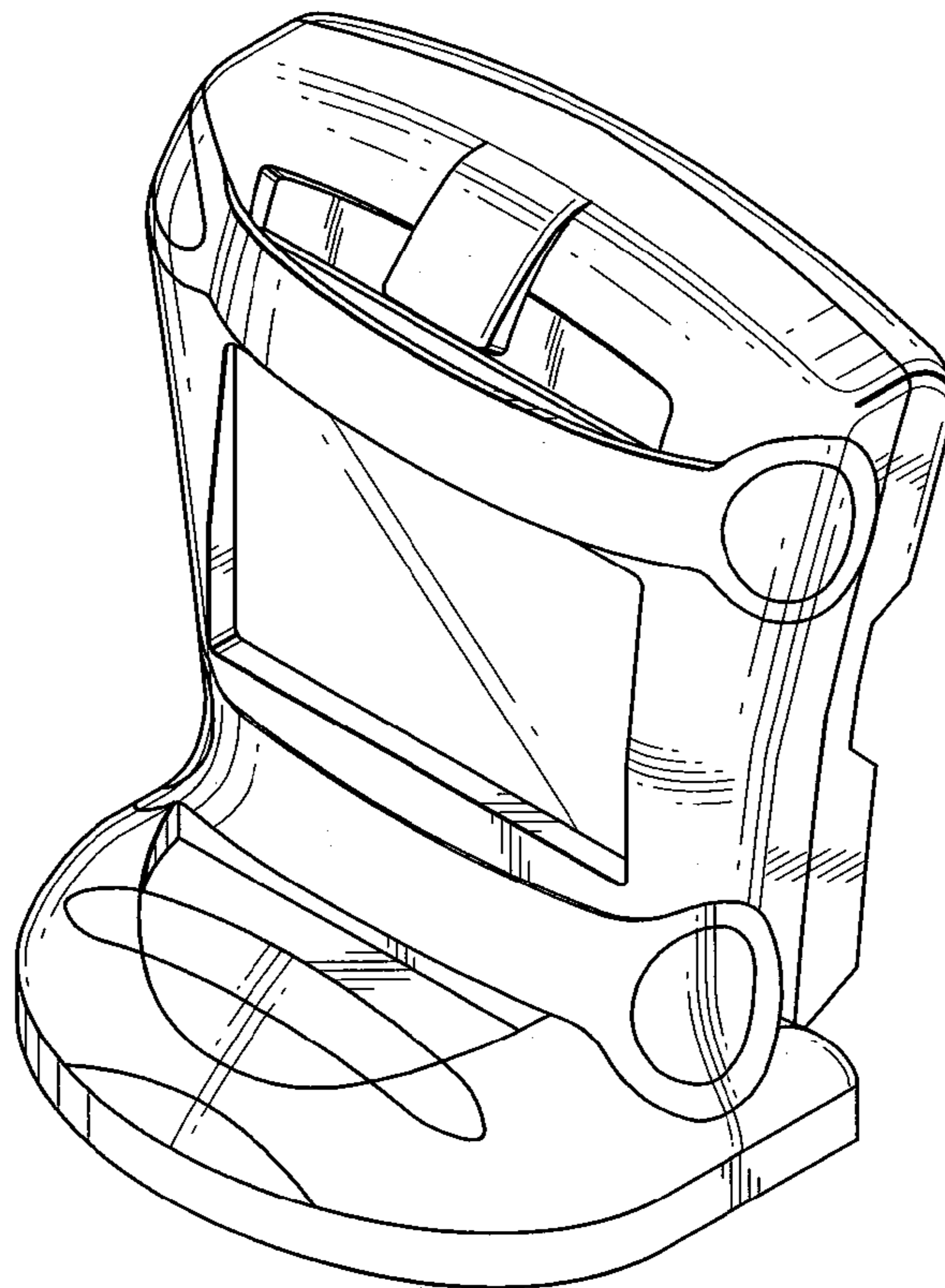
FIG. 8 is another elevational view in use.

(56) **References Cited**

U.S. PATENT DOCUMENTS

D530,686 S * 10/2006 Reza D14/126

1 Claim, 5 Drawing Sheets



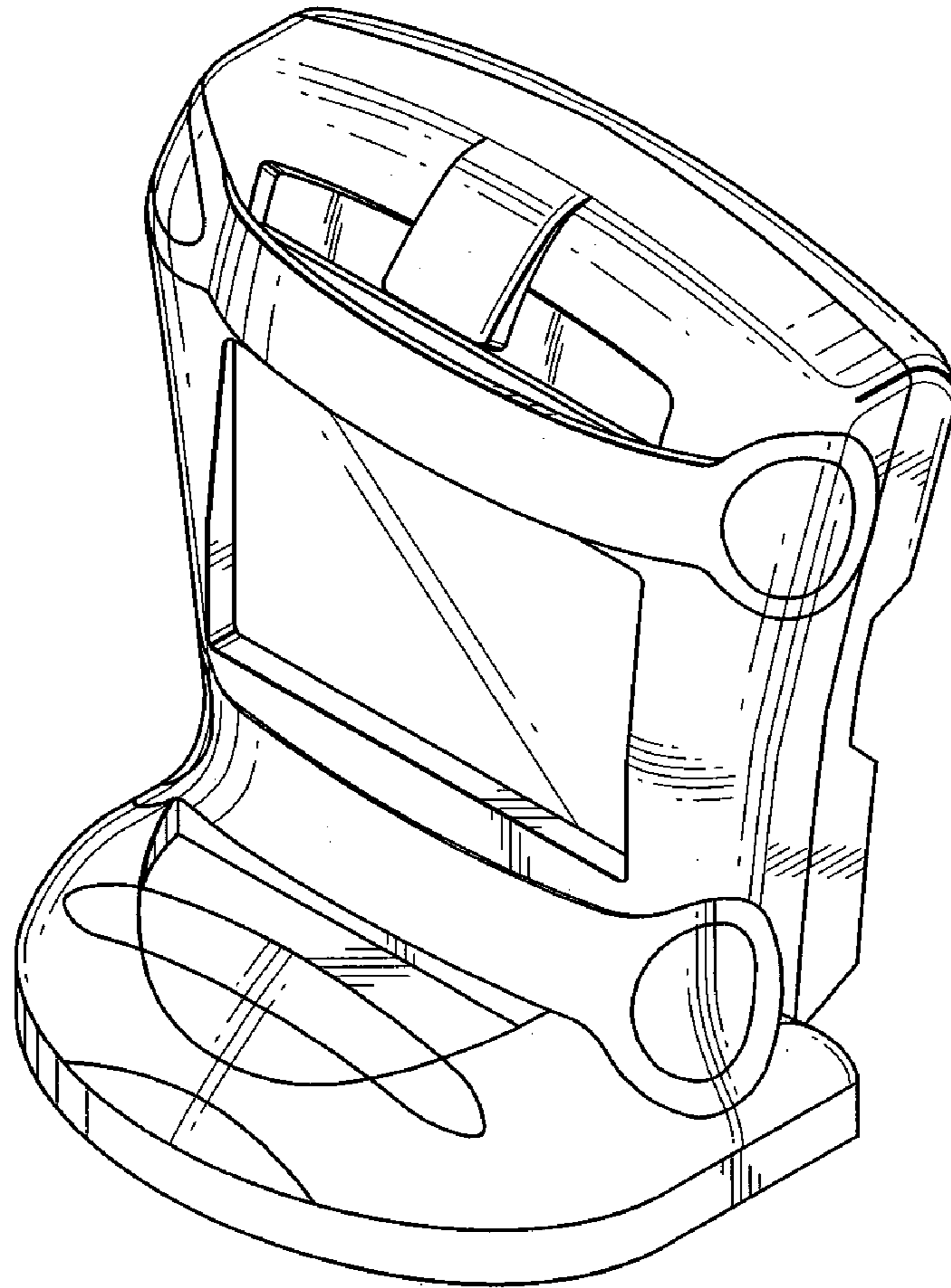


FIG. 1

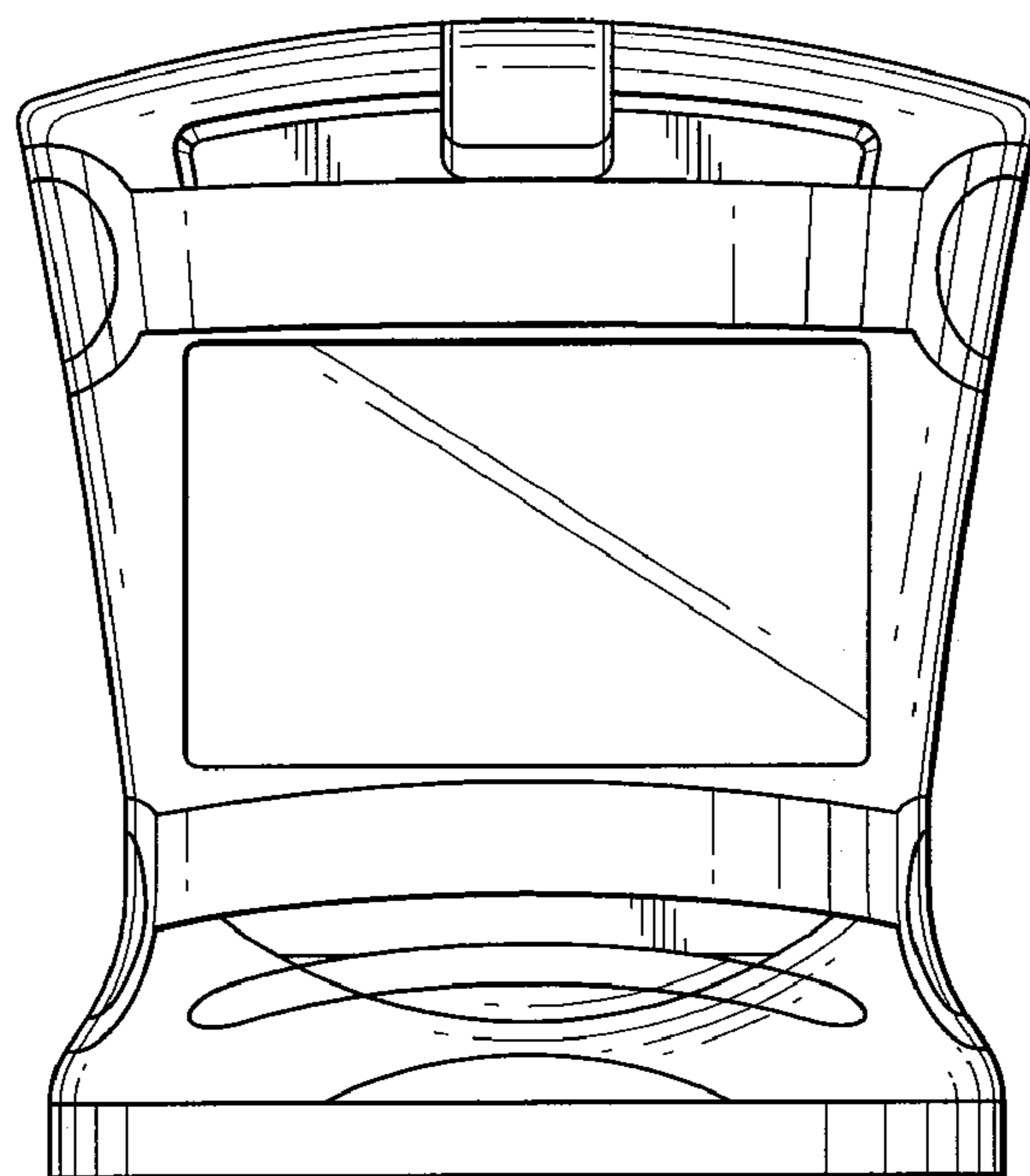


FIG. 2

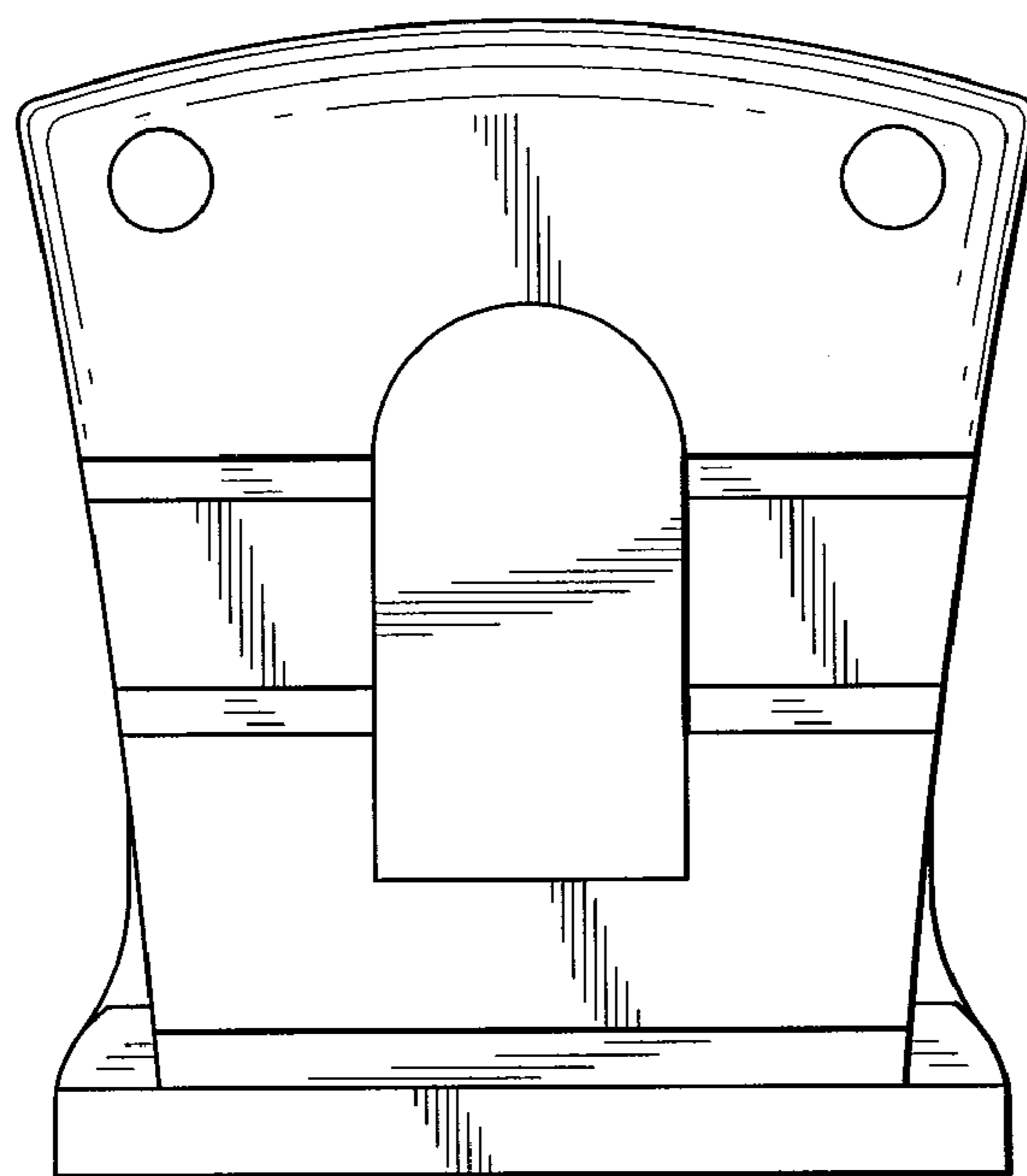


FIG. 3

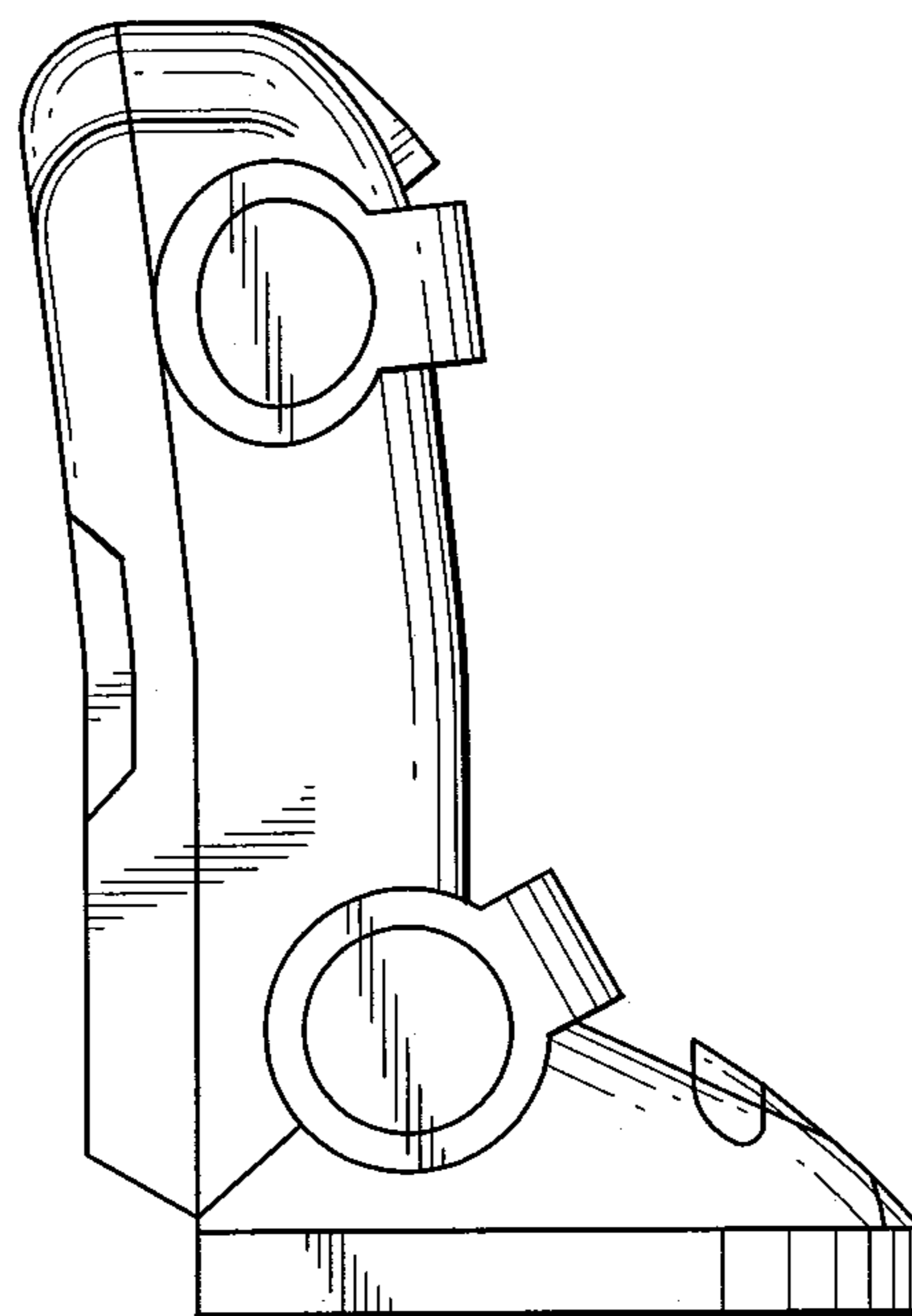


FIG. 4

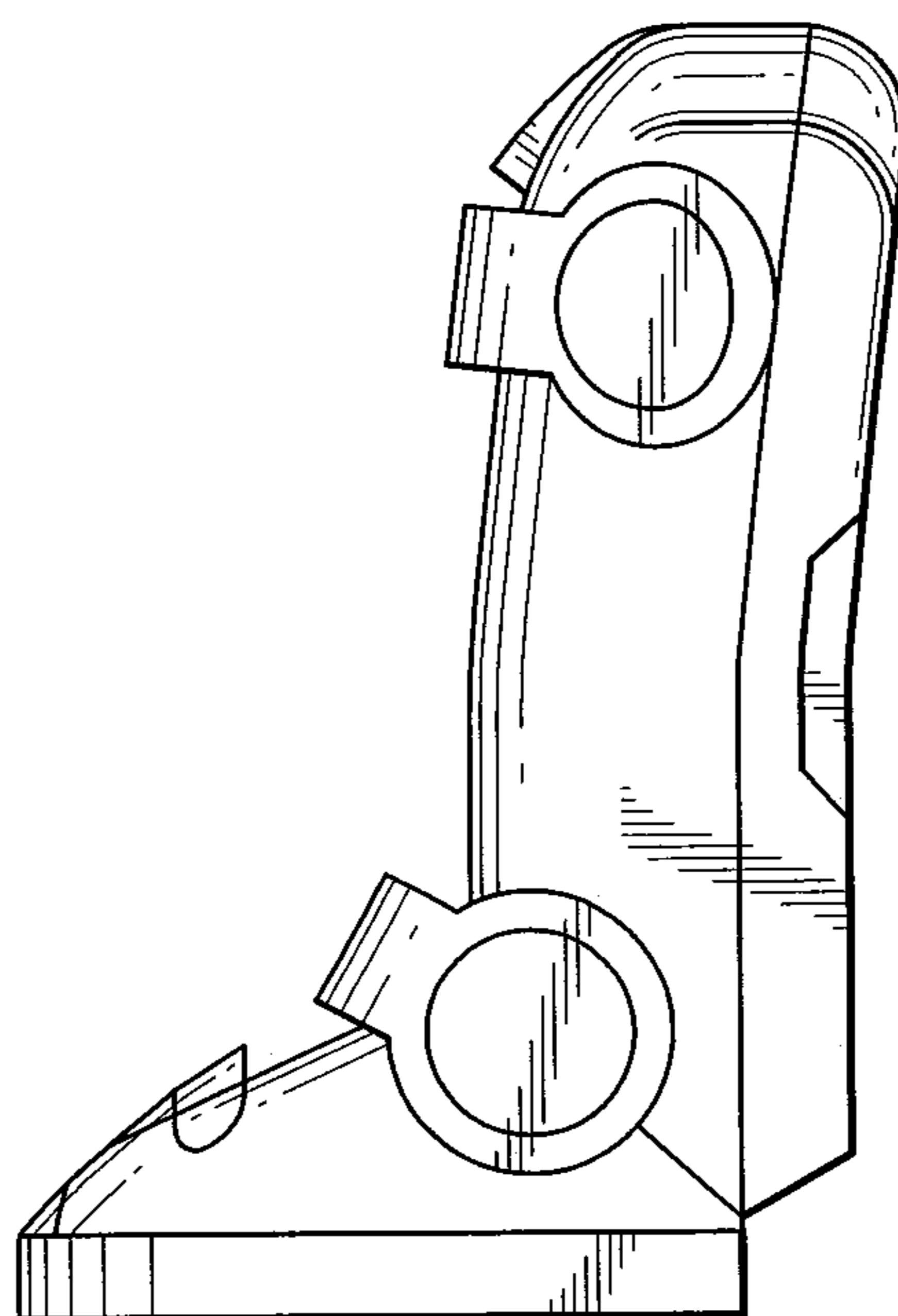


FIG. 5

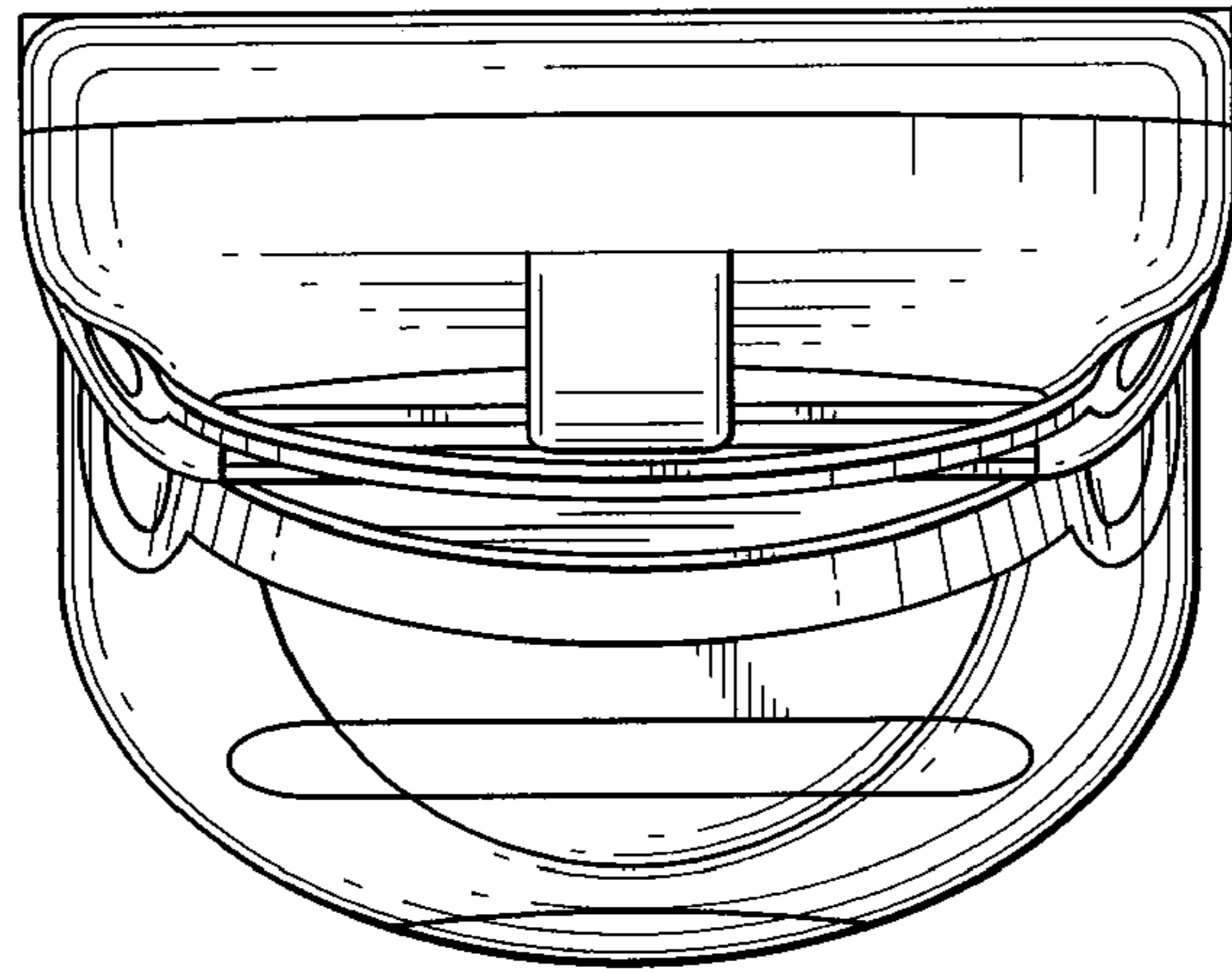


FIG. 6

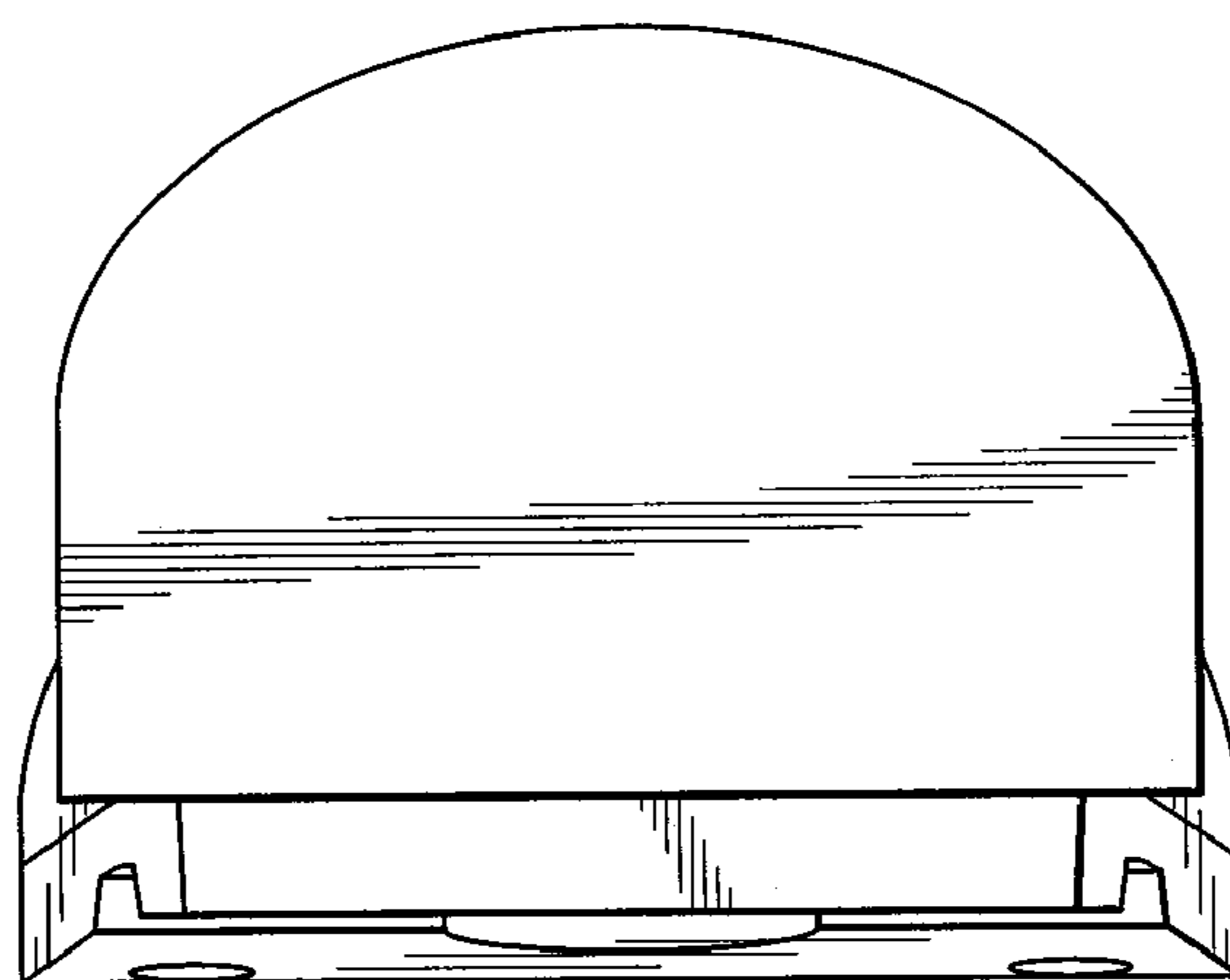


FIG. 7

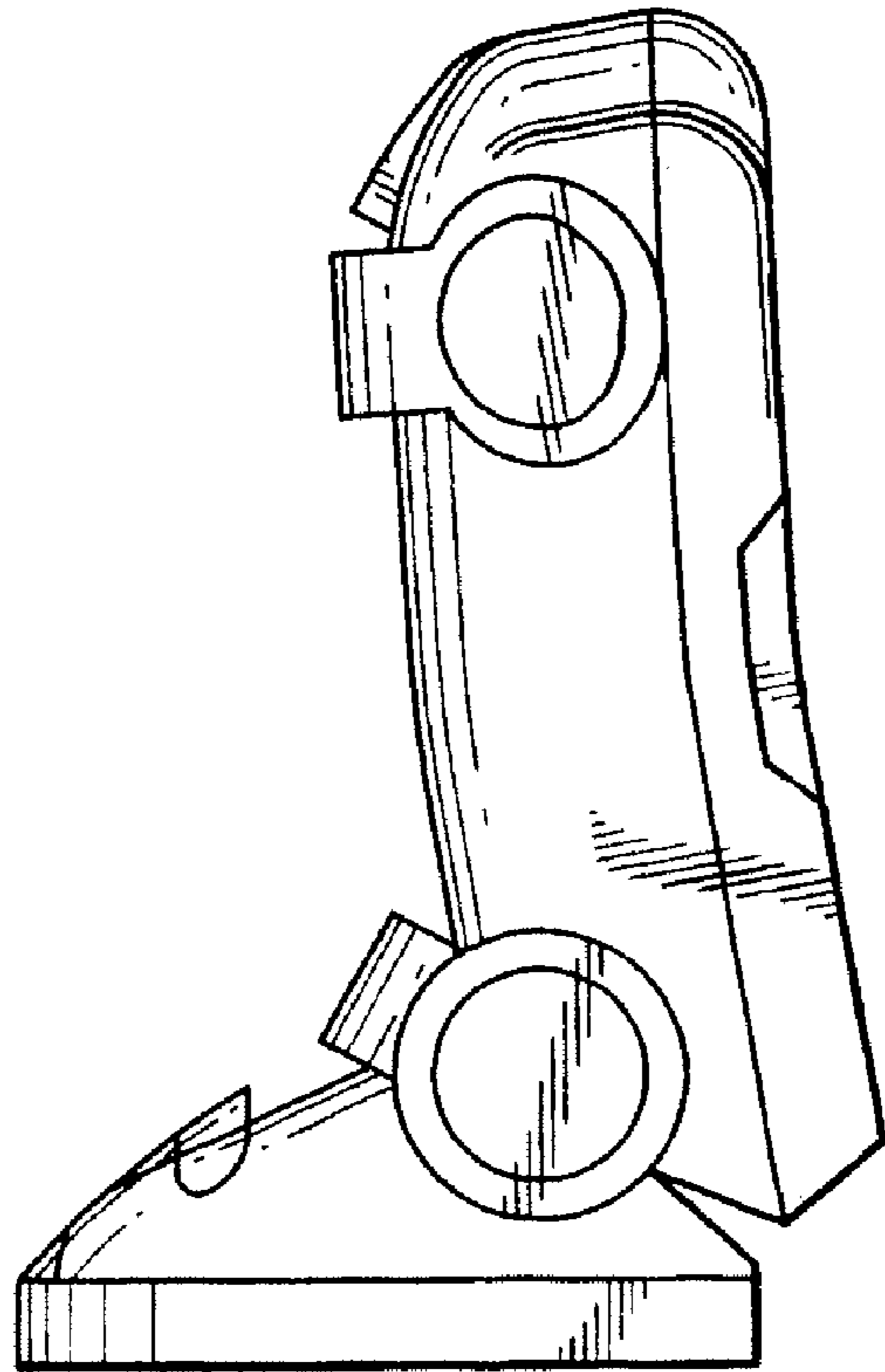


FIG. 8