



US00D571746S

(12) **United States Design Patent**  
**Suzuki**

(10) **Patent No.:** **US D571,746 S**  
(45) **Date of Patent:** **\*\* Jun. 24, 2008**

- (54) **MONITOR DISPLAY**
- (75) Inventor: **Akio Suzuki**, Tokyo (JP)
- (73) Assignee: **Sony Corporation**, Tokyo (JP)
- (\*\*) Term: **14 Years**
- (21) Appl. No.: **29/269,916**
- (22) Filed: **Dec. 12, 2006**

2004/0239601 A1\* 12/2004 Silverbrook ..... 345/87  
 2006/0136936 A1\* 6/2006 Lu et al. .... 720/600

**OTHER PUBLICATIONS**

Web page "TomTom GO 300/500/700" <http://www.tomtom.com/lib/flash/GO700/?Language=1>, 2 sheets, Tom Tom (Oct. 2005).  
 Web page "StreetPilot c320" <http://www.grmin.com/products/sp320/> 2 sheets, Garmin (Oct. 2005).

\* cited by examiner

*Primary Examiner*—Raphael Barkai  
*Assistant Examiner*—Randall H Gholson  
 (74) *Attorney, Agent, or Firm*—Rader, Fishman & Grauer, PLLC

**Related U.S. Application Data**

- (63) Continuation-in-part of application No. 29/245,284, filed on Dec. 22, 2005, now Pat. No. Des. 552,049.

(30) **Foreign Application Priority Data**

Jun. 24, 2005 (JP) ..... D2005-018340  
 Aug. 3, 2006 (JP) ..... D2006-020458

- (51) **LOC (8) Cl.** ..... **14-03**
- (52) **U.S. Cl.** ..... **D14/126**
- (58) **Field of Classification Search** ..... D14/125–134, D14/239, 371, 136, 374–377; 312/7.2; 348/836, 348/838, 180, 184, 325, 739; 341/12; 248/917–924, 248/465, 123.11; 345/104, 133, 156, 168, 345/87, 173, 169; 349/1, 2, 11, 62; 720/605, 720/669, 600, 655, 99, 197; 455/344–347; 369/99, 197

See application file for complete search history.

(56) **References Cited**

**U.S. PATENT DOCUMENTS**

- D307,896 S \* 5/1990 Kitagawa et al. .... D14/126
- 6,020,867 A \* 2/2000 Shimada et al. .... 345/87
- D429,227 S \* 8/2000 Shimizu ..... D14/126
- D433,394 S 11/2000 Suzuki
- D458,602 S \* 6/2002 Hasegawa et al. .... D14/374
- D465,491 S \* 11/2002 Yamada ..... D14/374
- D467,512 S 12/2002 Miyazaki
- 6,535,190 B2 \* 3/2003 Evanicky ..... 345/88
- D501,185 S 1/2005 Sato et al.
- D502,690 S 3/2005 Uehara et al.
- D507,785 S \* 7/2005 Mizokawa ..... D14/126
- D518,004 S \* 3/2006 Peng ..... D14/126
- D519,505 S \* 4/2006 Baek et al. .... D14/375
- D525,605 S \* 7/2006 Voegel ..... D14/126

(57) **CLAIM**

The ornamental design for a monitor display, as shown and described.

**DESCRIPTION**

FIG. 1 is a front elevational view of a monitor display showing my new design;  
 FIG. 2 is a rear elevational view thereof;  
 FIG. 3 is a left side elevational view thereof;  
 FIG. 4 is a right side elevational view thereof;  
 FIG. 5 is a top plan view thereof;  
 FIG. 6 is a bottom plan view thereof;  
 FIG. 7 is a perspective view of a modified embodiment of my design shown in FIGS. 1–6;  
 FIG. 8 is a front elevational view thereof;  
 FIG. 9 is a rear elevational view thereof;  
 FIG. 10 is a left side elevational view thereof;  
 FIG. 11 is a right side elevational view thereof;  
 FIG. 12 is a top plan view thereof; and,  
 FIG. 13 is a bottom plan view thereof.

The portions indicated in broken lines are for illustrative purposes only and form no part of the claimed design.

**1 Claim, 13 Drawing Sheets**

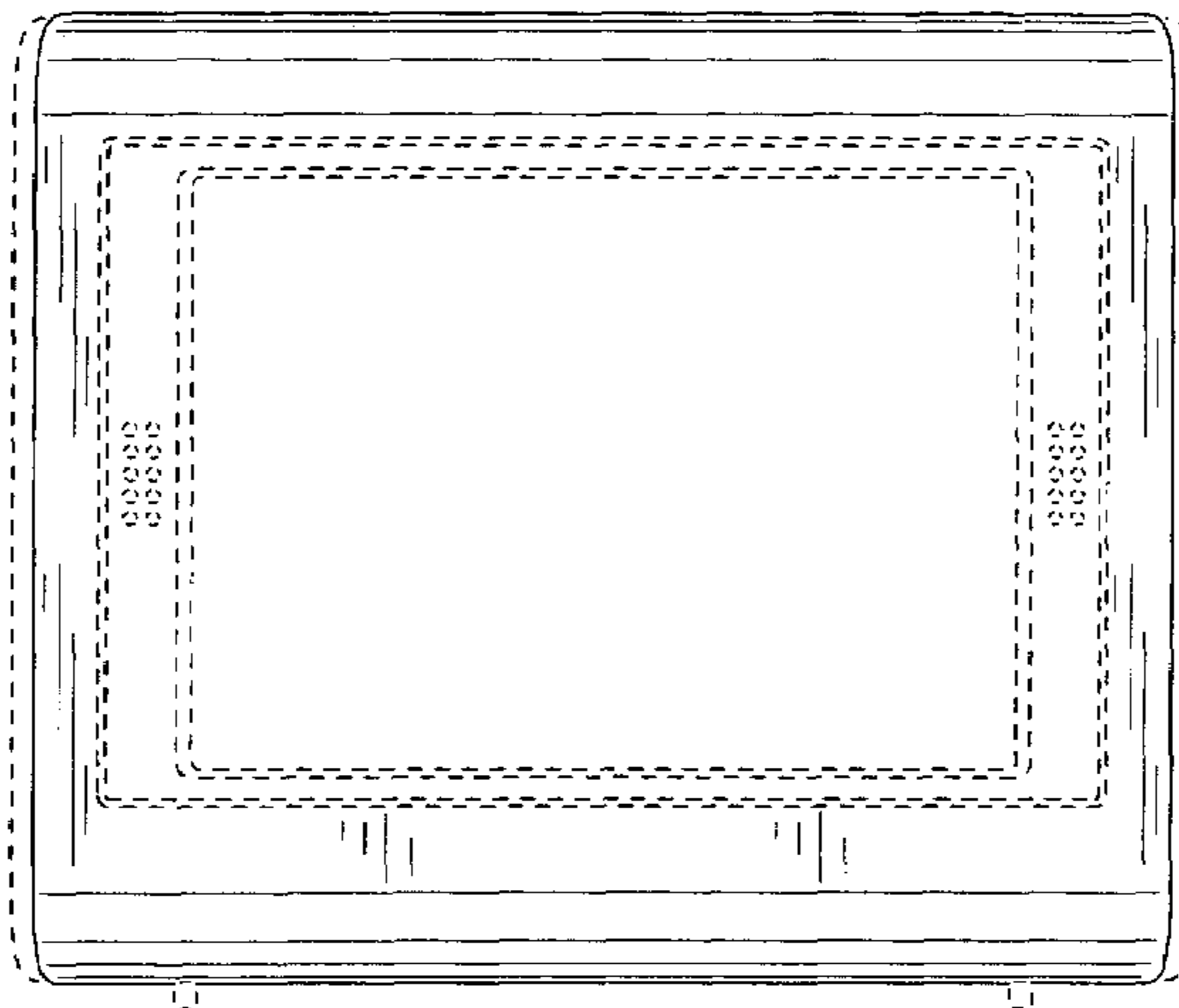


Fig. 1

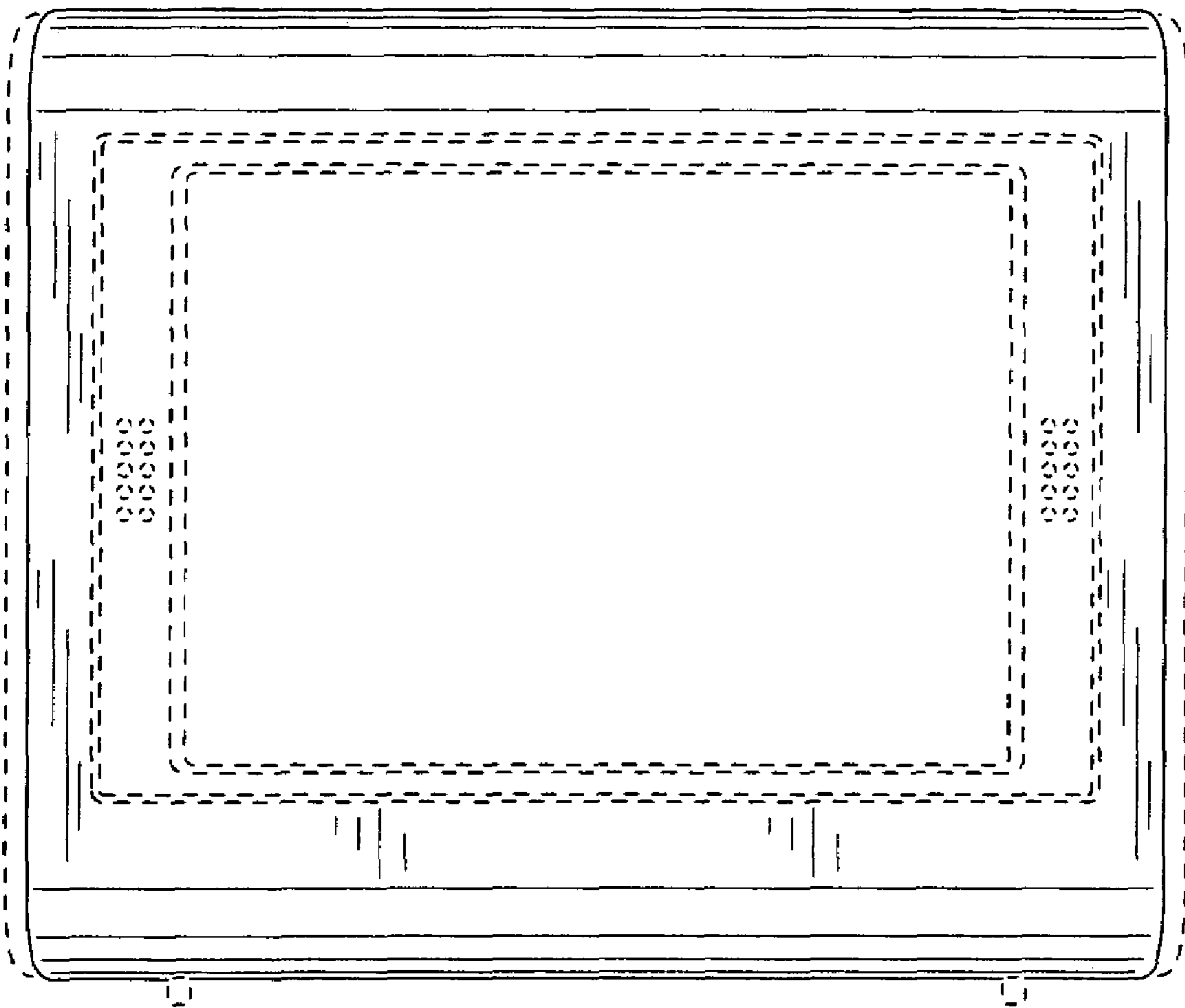


Fig.2

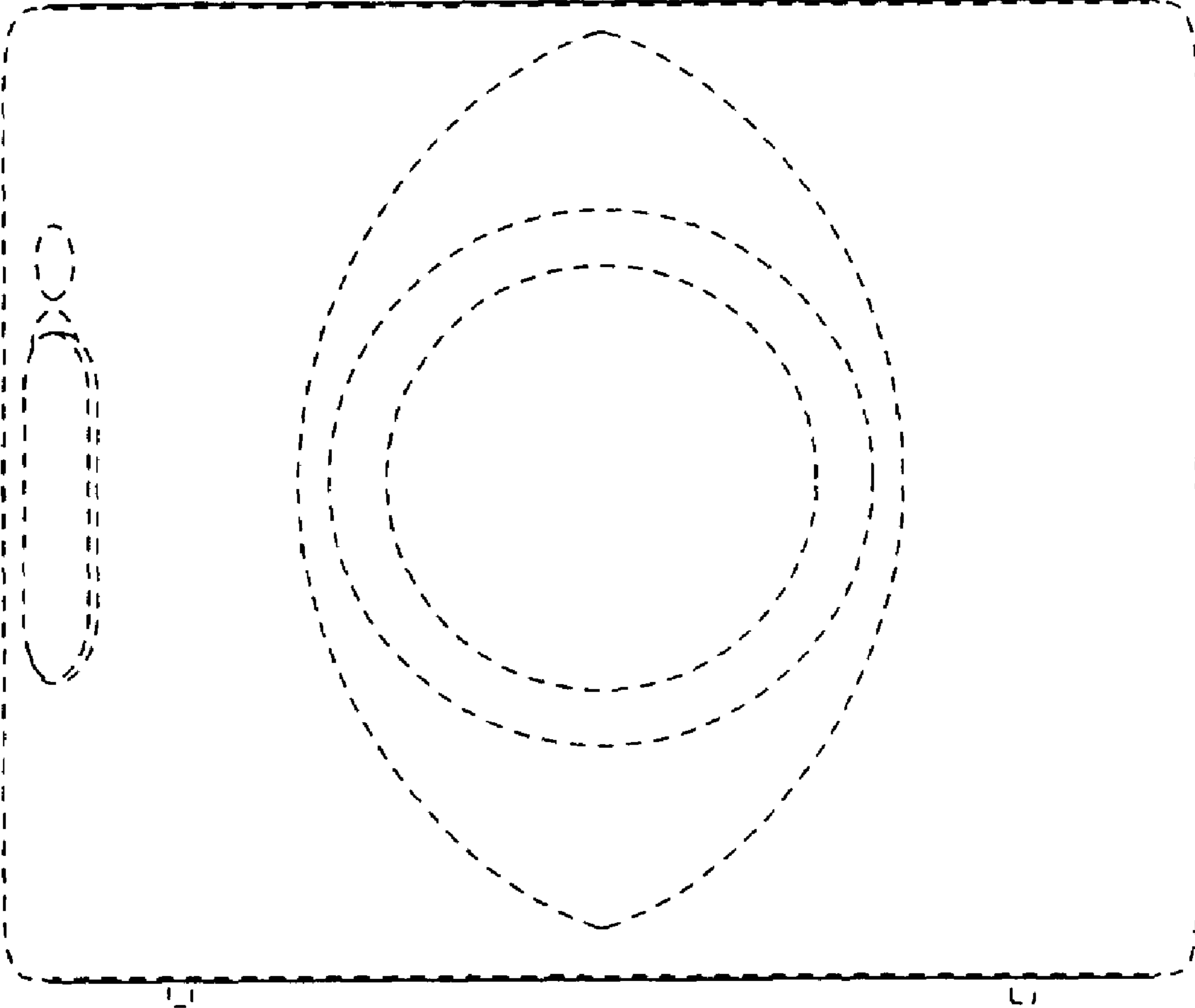


Fig.3

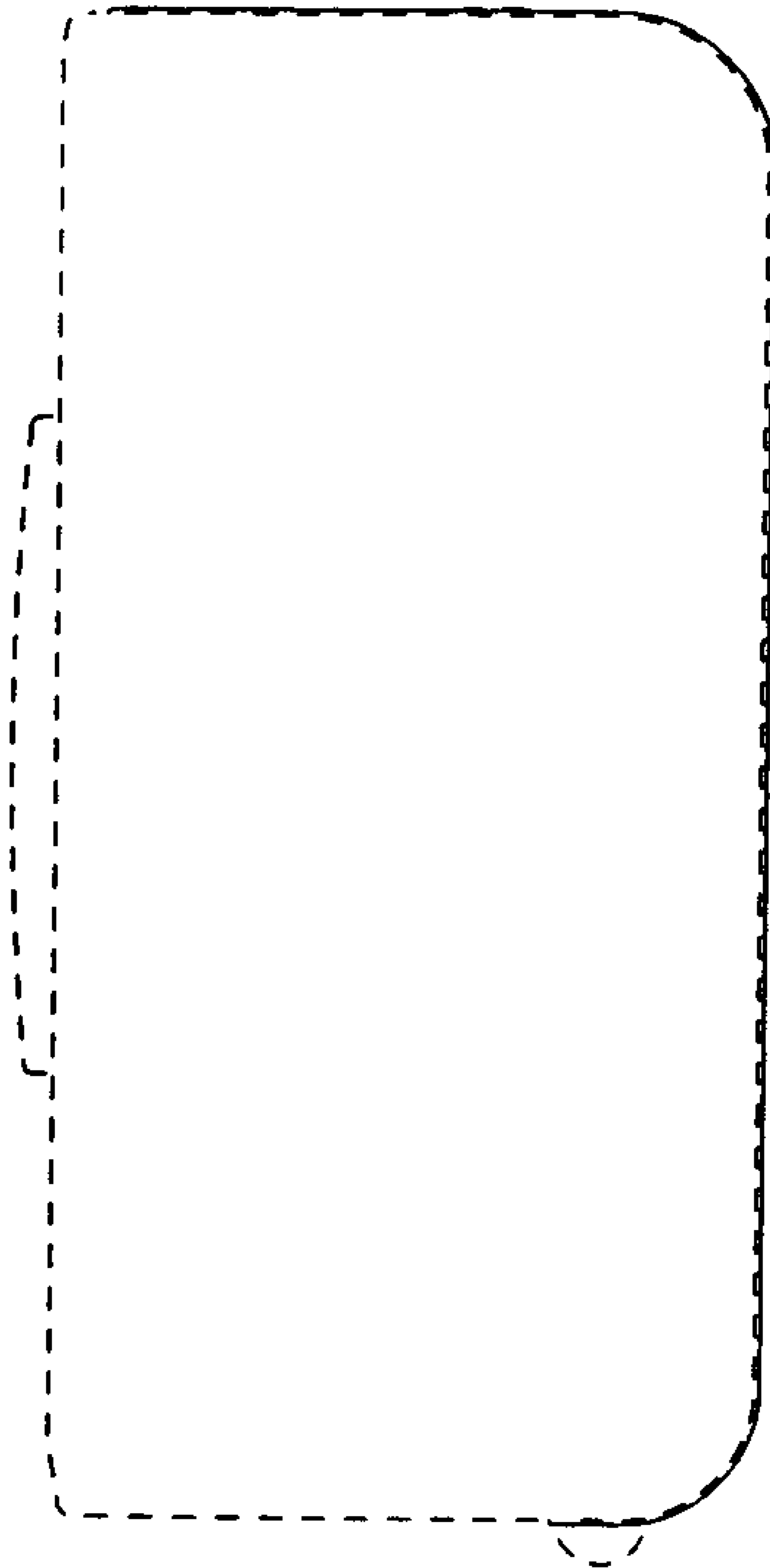


Fig.4

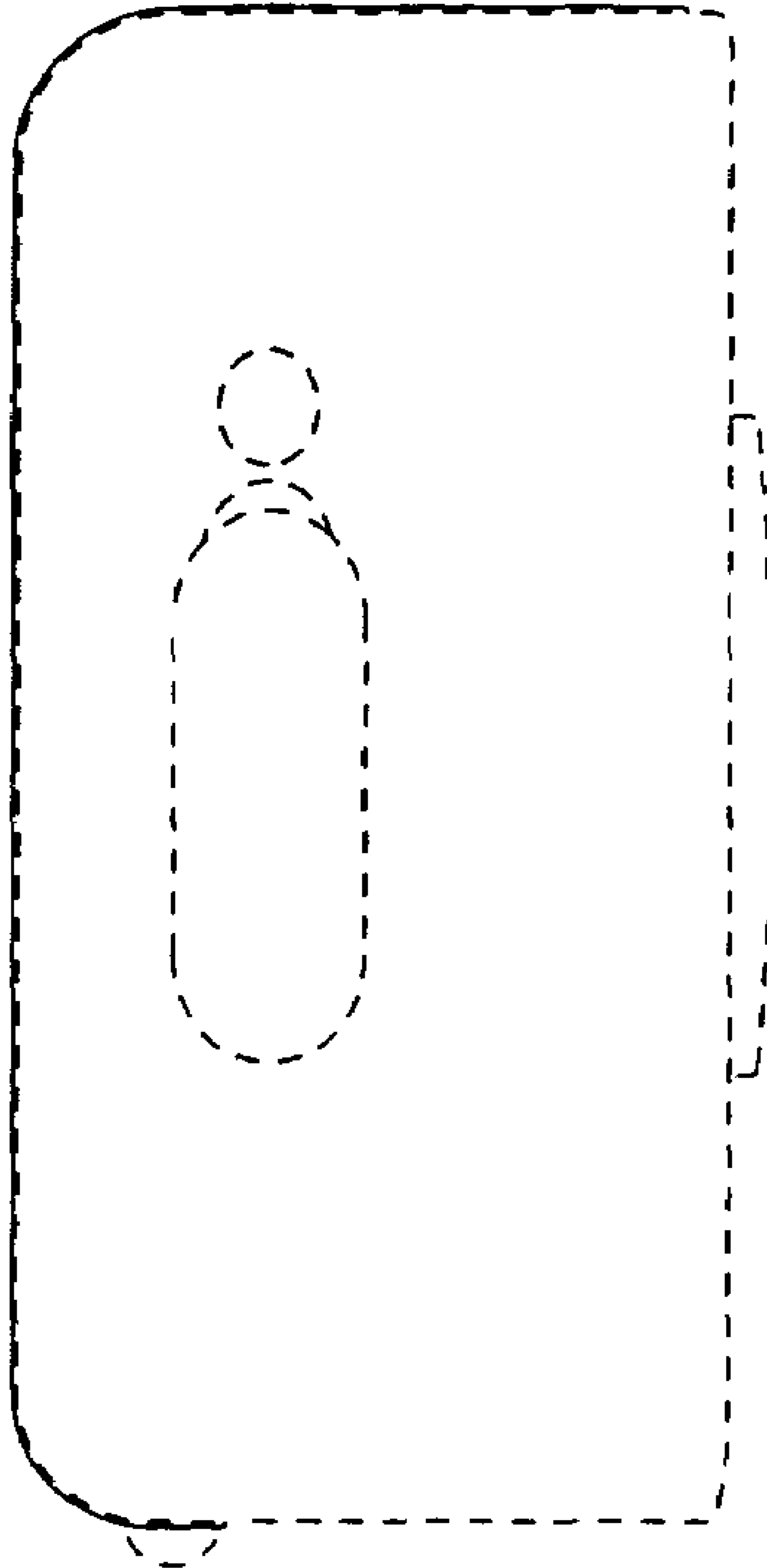


Fig.5

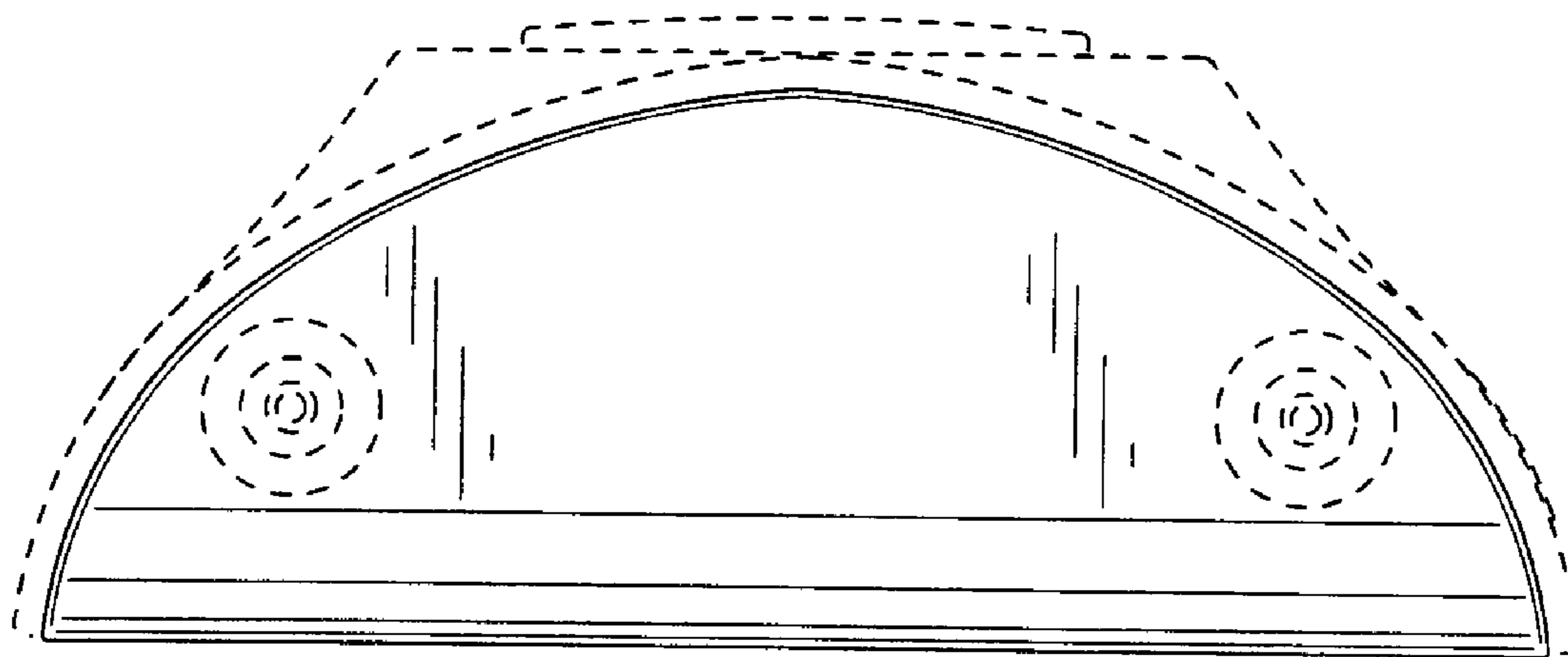


Fig.6

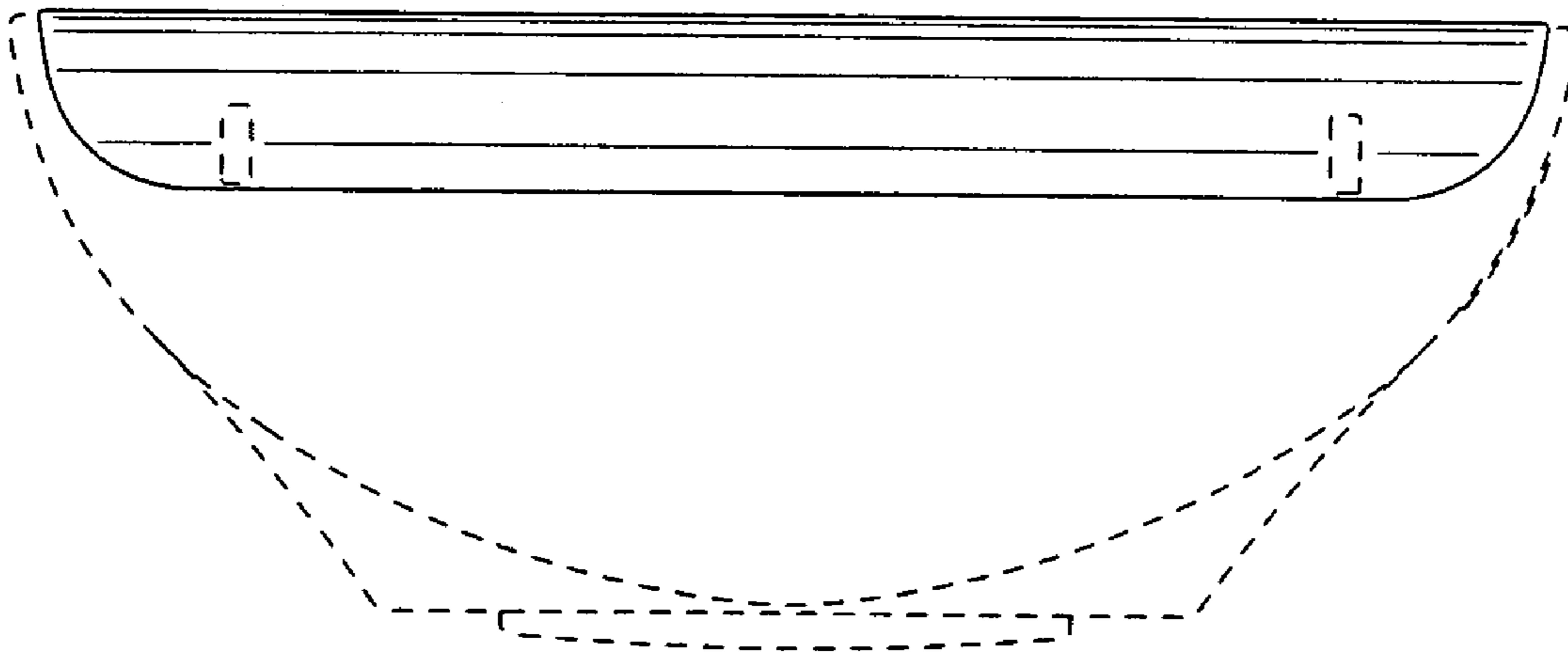


Fig.7

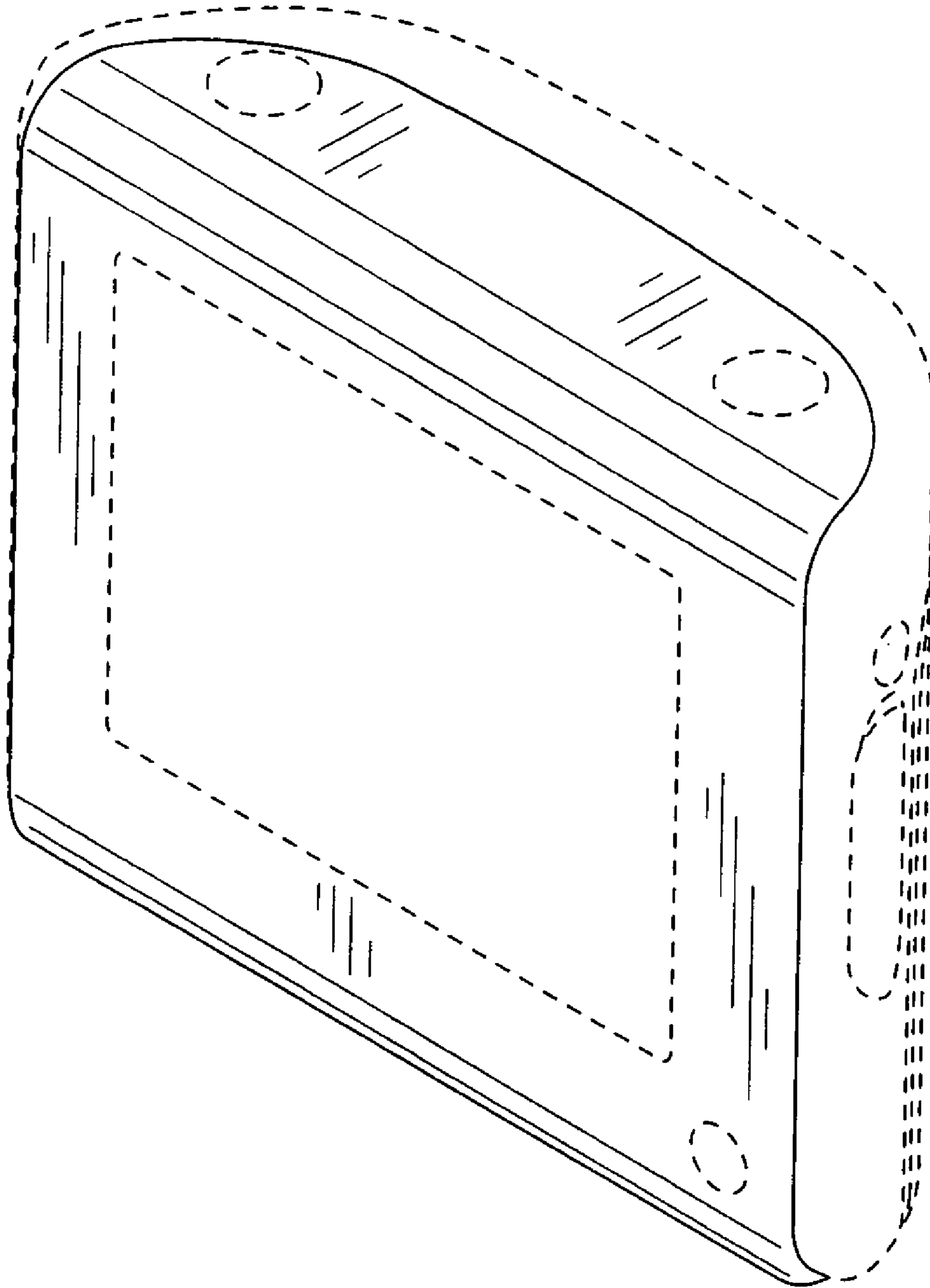




Fig.8

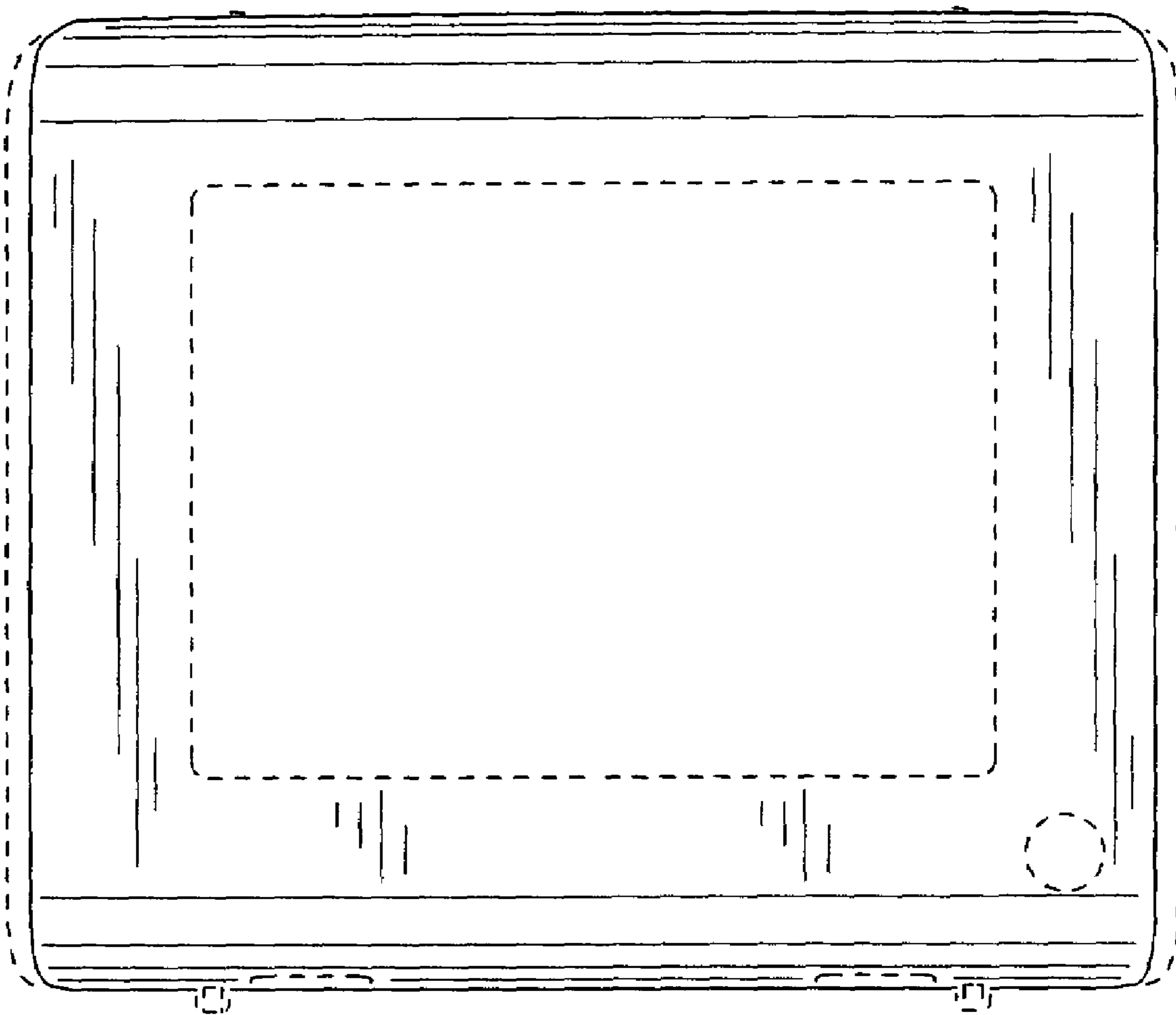


Fig.9

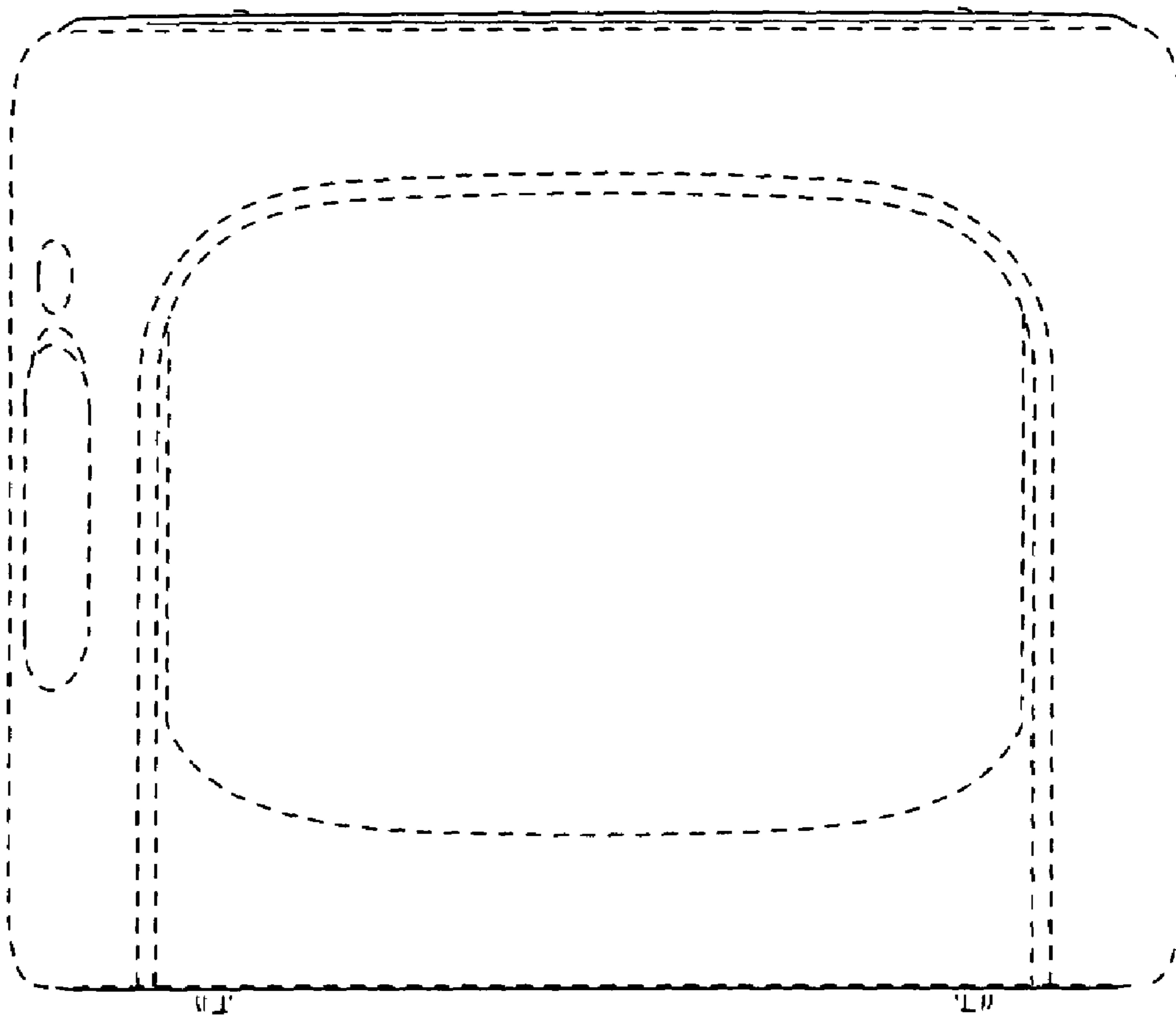
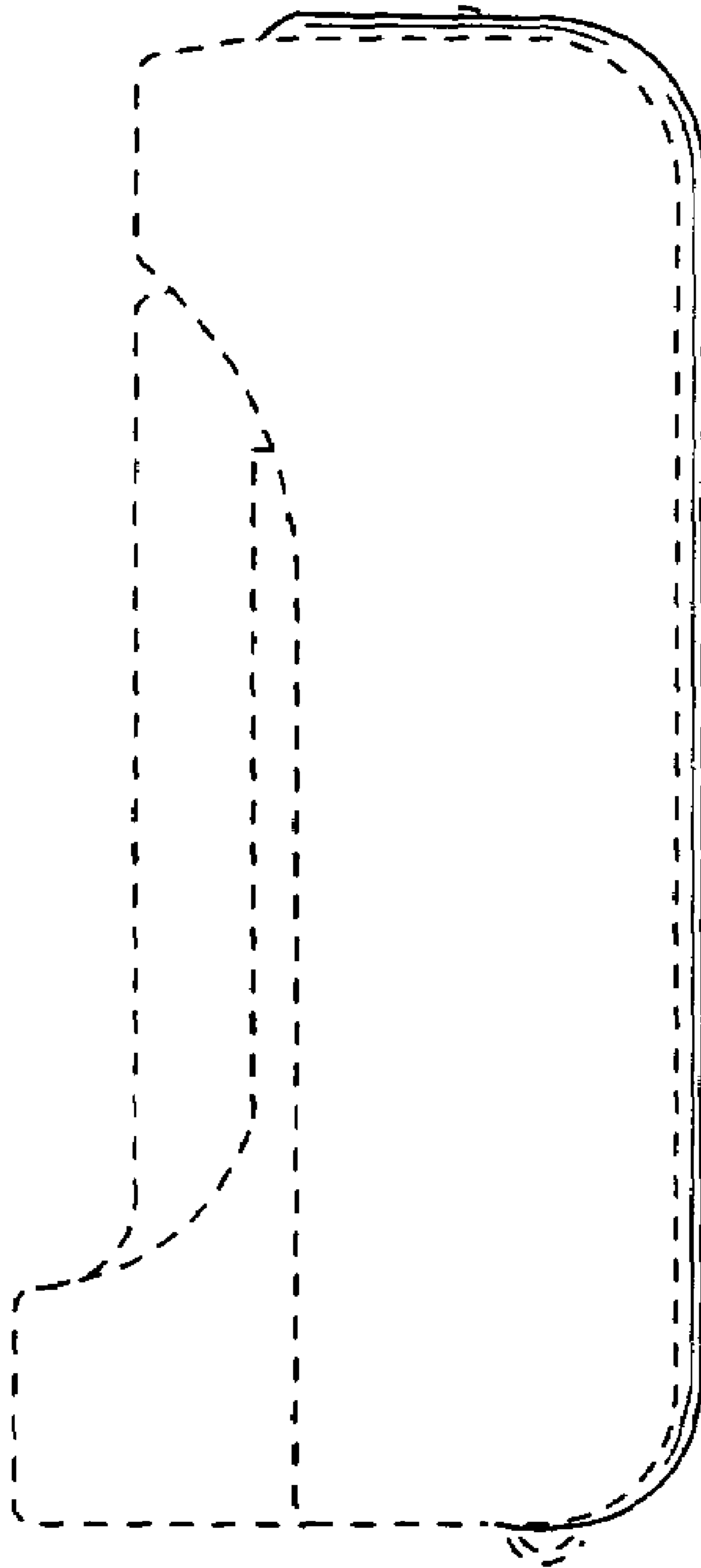


Fig. 10



# Fig. 11

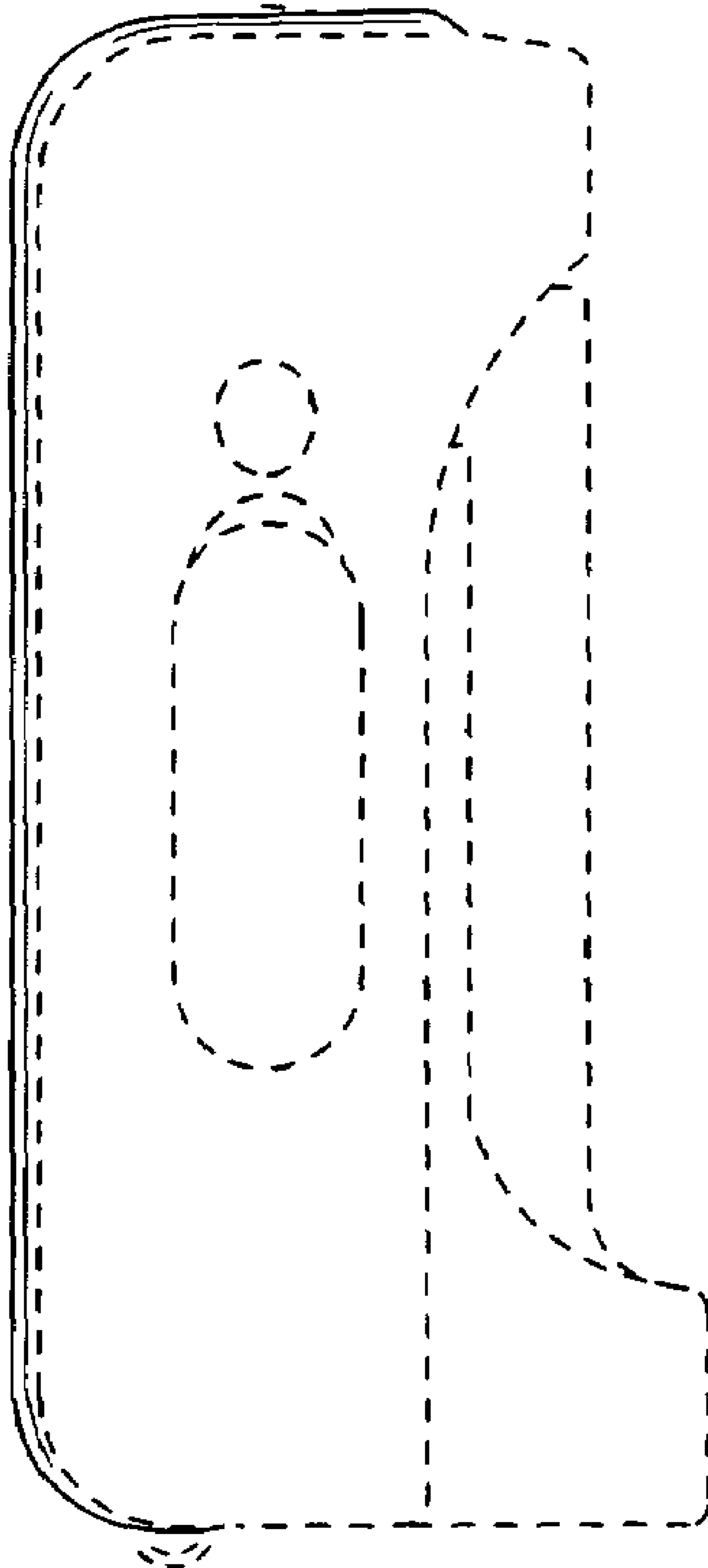


Fig. 12

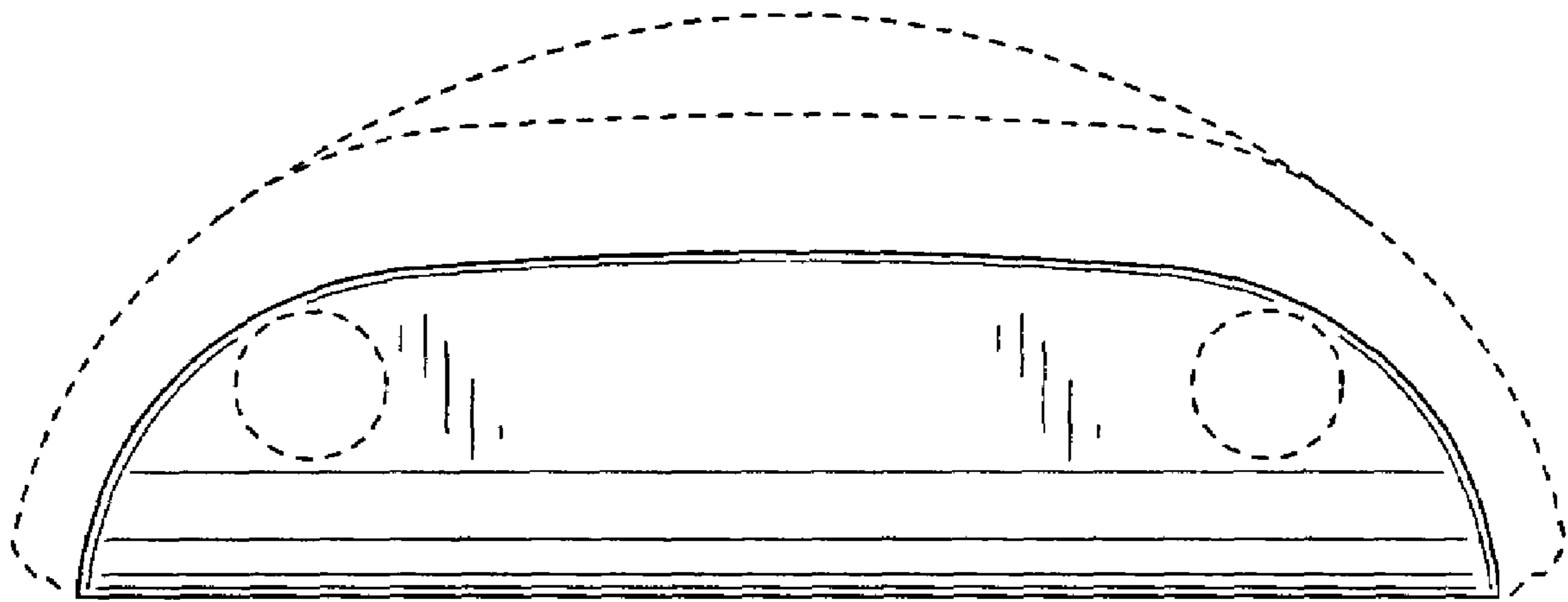


Fig. 13

