



US00D571743S

(12) **United States Design Patent**  
**Tu**

(10) **Patent No.:** **US D571,743 S**  
(45) **Date of Patent:** **\*\* Jun. 24, 2008**

(54) **SET-TOP BOX**

(75) Inventor: **Yu-Wei Tu**, Taipei Hsien (TW)

(73) Assignee: **Hon Hai Precision Industry Co., Ltd.**,  
Tu-Cheng, Taipei Hsien (TW)

(\*\*) Term: **14 Years**

(21) Appl. No.: **29/295,895**

(22) Filed: **Oct. 10, 2007**

(30) **Foreign Application Priority Data**

Apr. 18, 2007 (CN) ..... 2007 3 0200275

(51) **LOC (8) Cl.** ..... **14-03**

(52) **U.S. Cl.** ..... **D14/125**

(58) **Field of Classification Search** ..... D14/125-134,  
D14/230-239, 371, 135, 136, 374-377, 138,  
D14/299, 358, 155, 492, 356, 361-363, 496;  
312/7.2, 208.1-223.2; 348/836, 838, 180,  
348/184, 325, 739, 10, 460; 341/12; 248/917-924,  
248/465, 123.11; 345/104, 133, 156, 168,  
345/87, 173, 169; 349/1, 2, 11, 62; 720/605,  
720/669, 600, 655, 99, 197; 455/344-347;  
369/99, 197

See application file for complete search history.

(56) **References Cited**

**U.S. PATENT DOCUMENTS**

D322,963 S \* 1/1992 Kittirutsunetorn ..... D14/242  
D448,353 S \* 9/2001 Chang ..... D14/125

D490,796 S \* 6/2004 Allen ..... D14/156  
D493,165 S \* 7/2004 Kiple et al. .... D14/242  
D542,784 S \* 5/2007 Franck et al. .... D14/240  
D559,848 S \* 1/2008 Siu ..... D14/433

**FOREIGN PATENT DOCUMENTS**

TW 523327 3/2003

\* cited by examiner

*Primary Examiner*—Raphael Barkai

*Assistant Examiner*—Randall H Gholson

(74) *Attorney, Agent, or Firm*—Frank R. Niranjana

(57) **CLAIM**

The ornamental design for a set-top box, as shown and described.

**DESCRIPTION**

FIG. 1 is a perspective view of a set-top box showing my new design;

FIG. 2 is a front elevational view thereof;

FIG. 3 is a rear elevational view thereof;

FIG. 4 is a left side elevational view thereof;

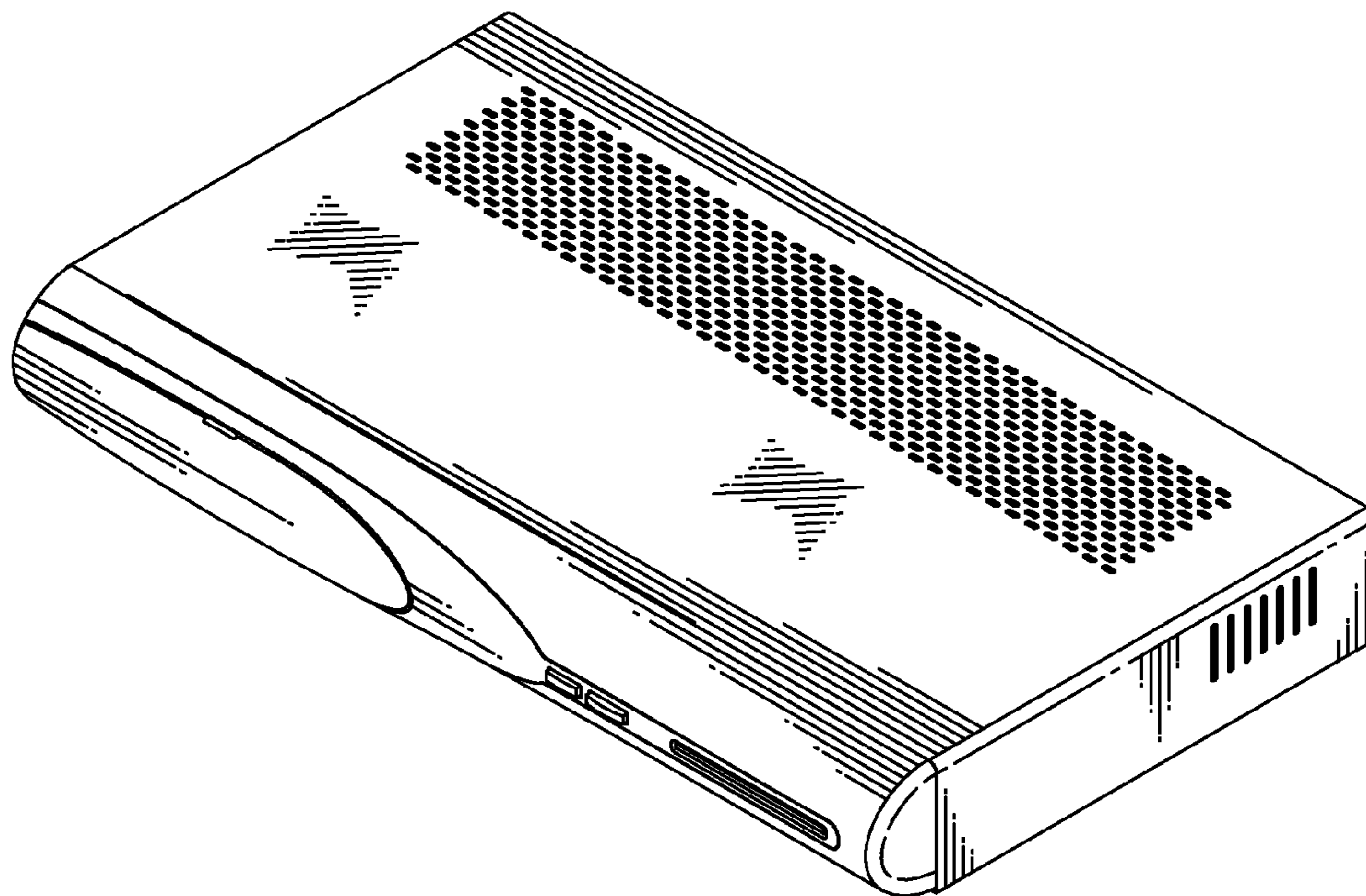
FIG. 5 is a right side elevational view thereof;

FIG. 6 is a top plan view thereof;

FIG. 7 is a bottom plan view thereof; and,

FIG. 8 is second perspective view thereof showing my design in an alternate position with the front cover open.

**1 Claim, 8 Drawing Sheets**



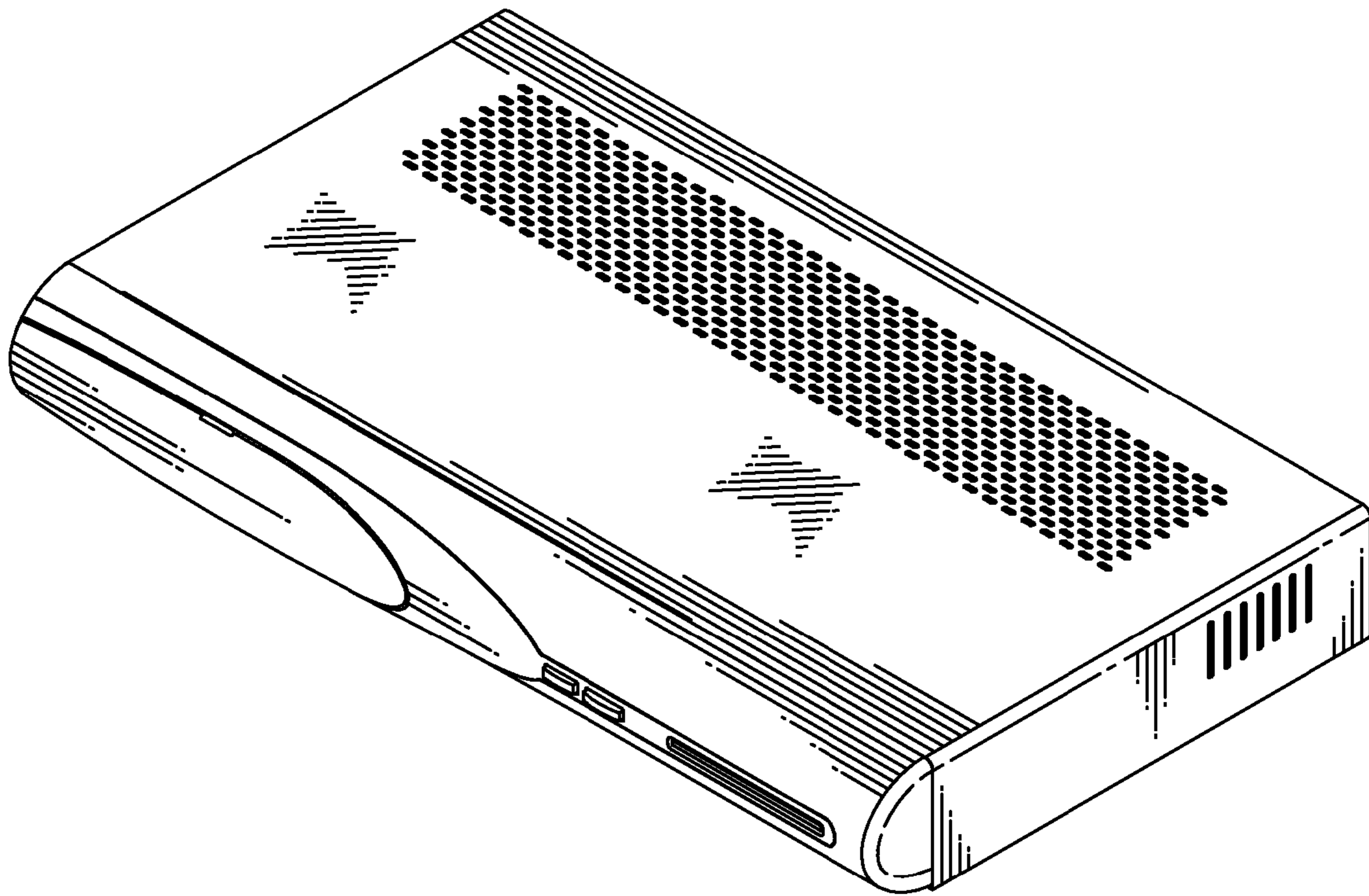


FIG. 1

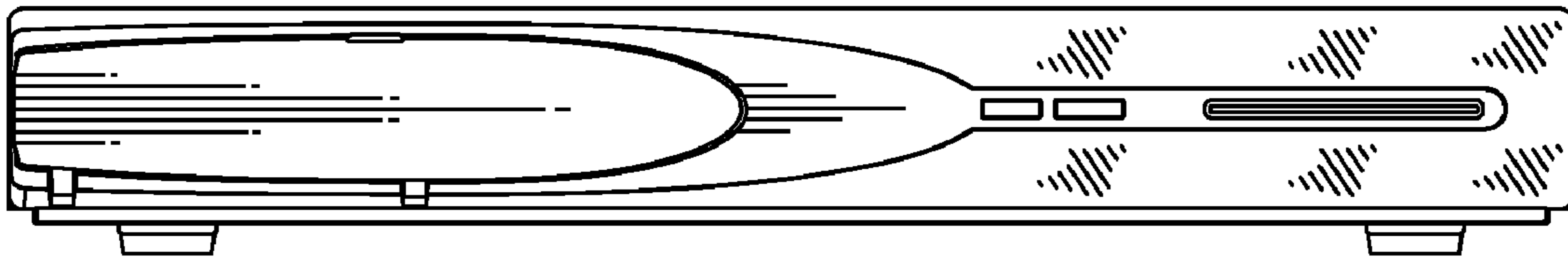


FIG. 2

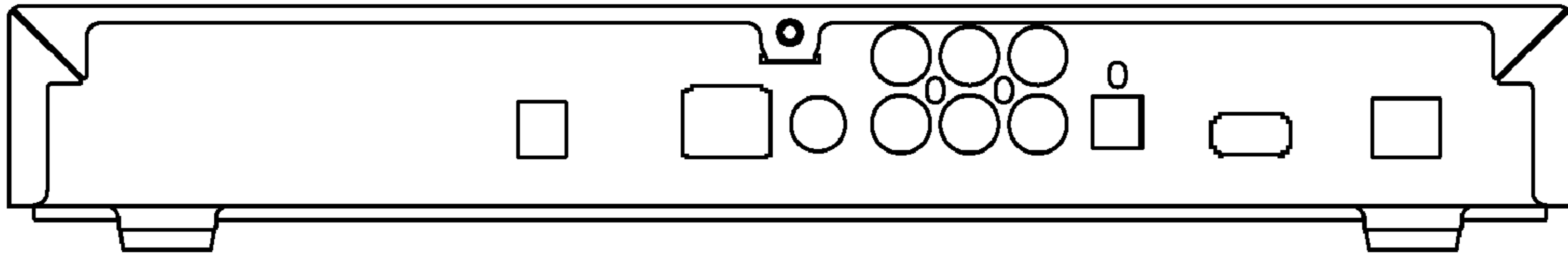


FIG. 3

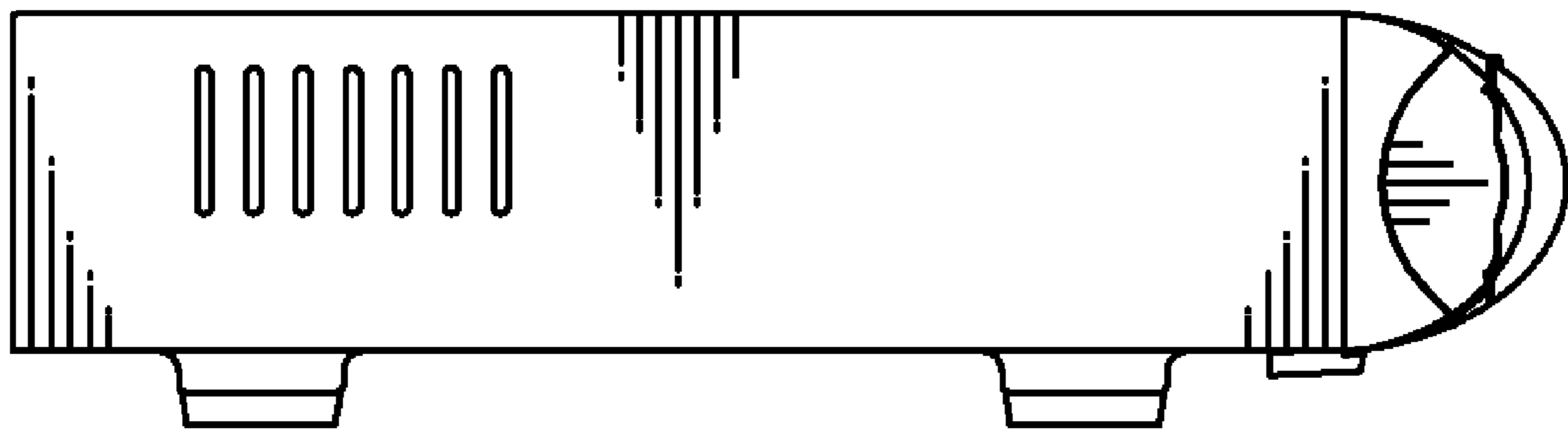


FIG. 4

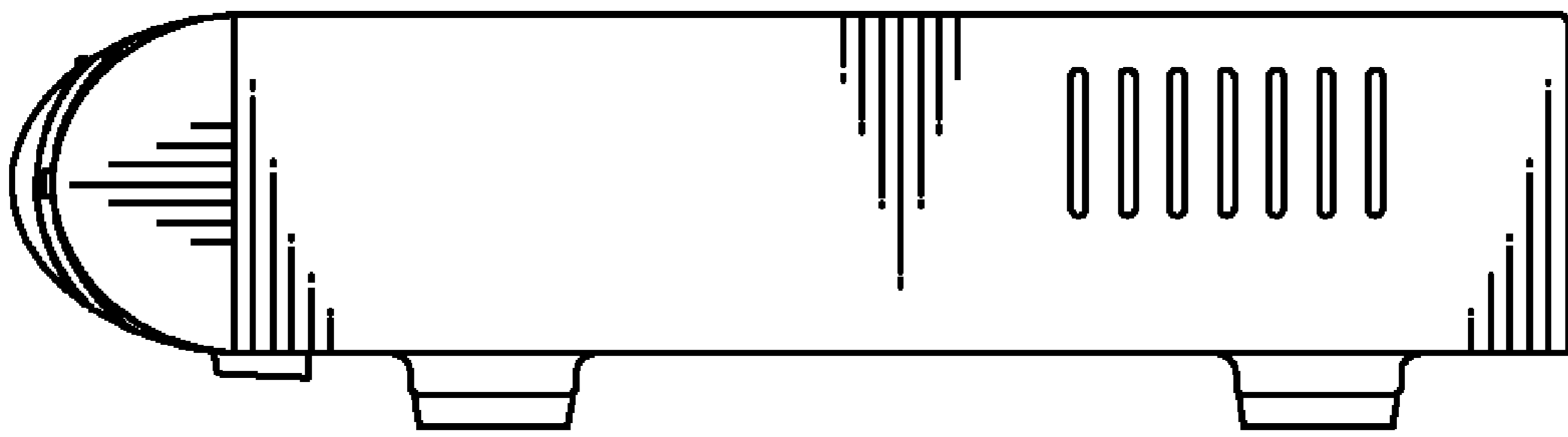


FIG. 5

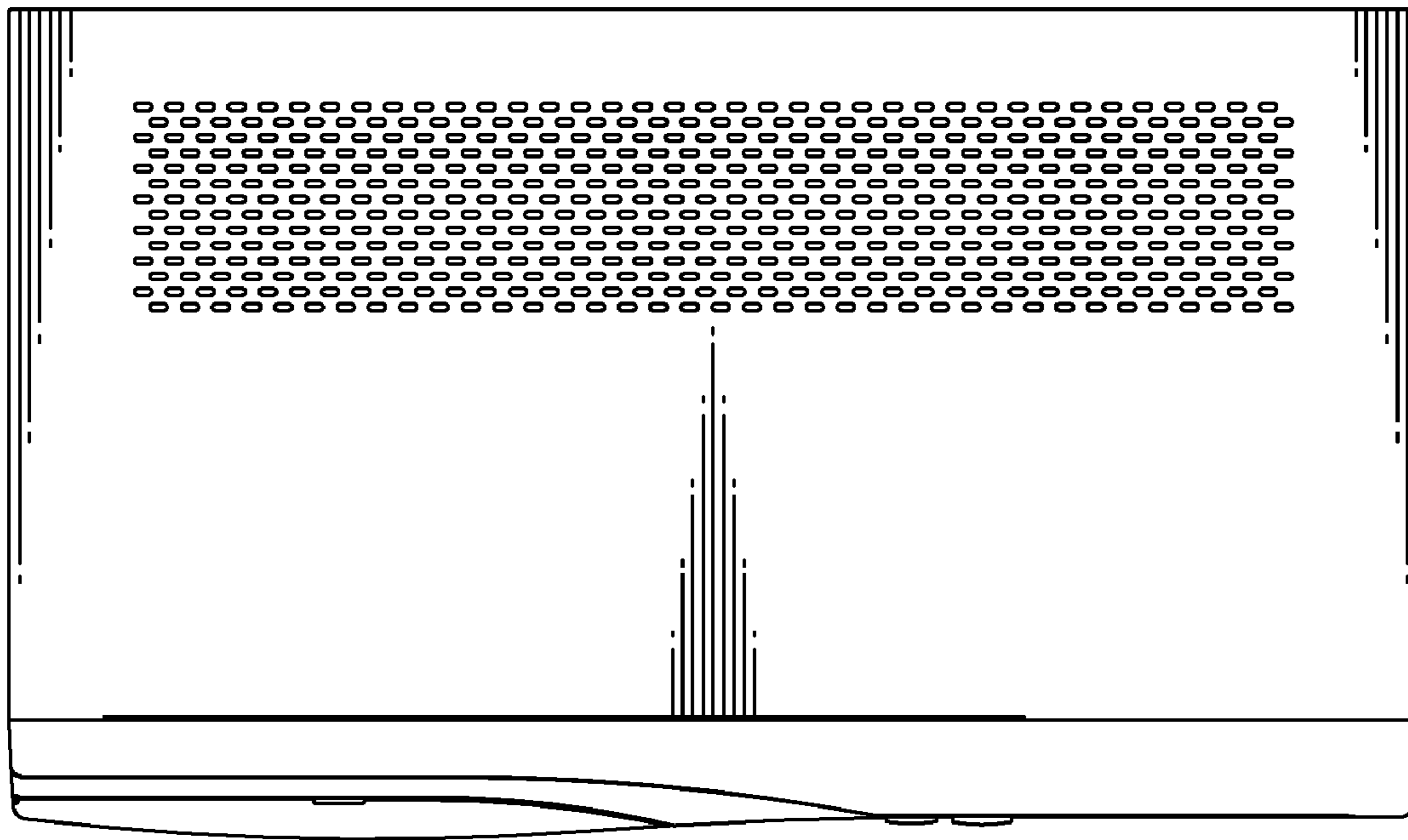


FIG. 6

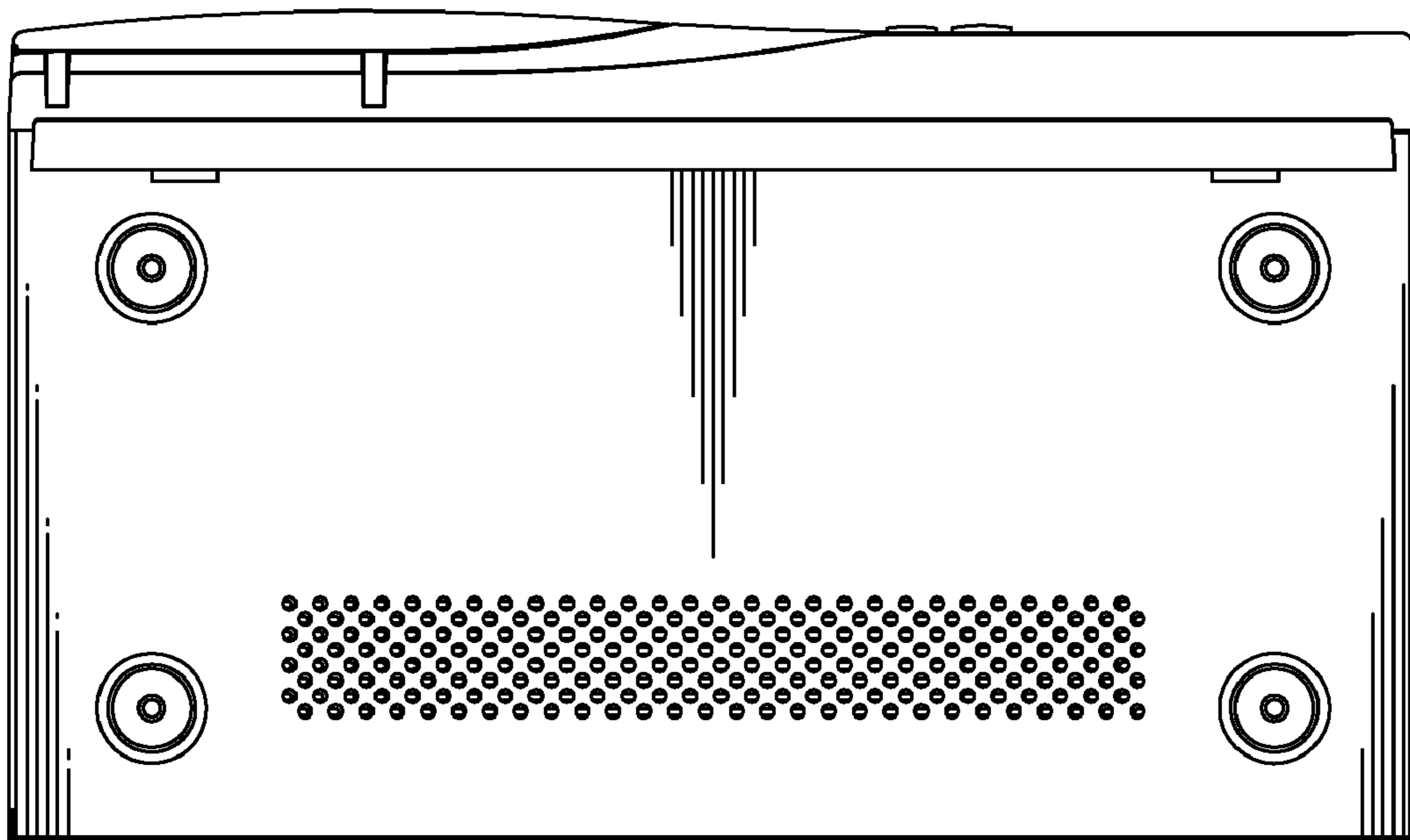


FIG. 7



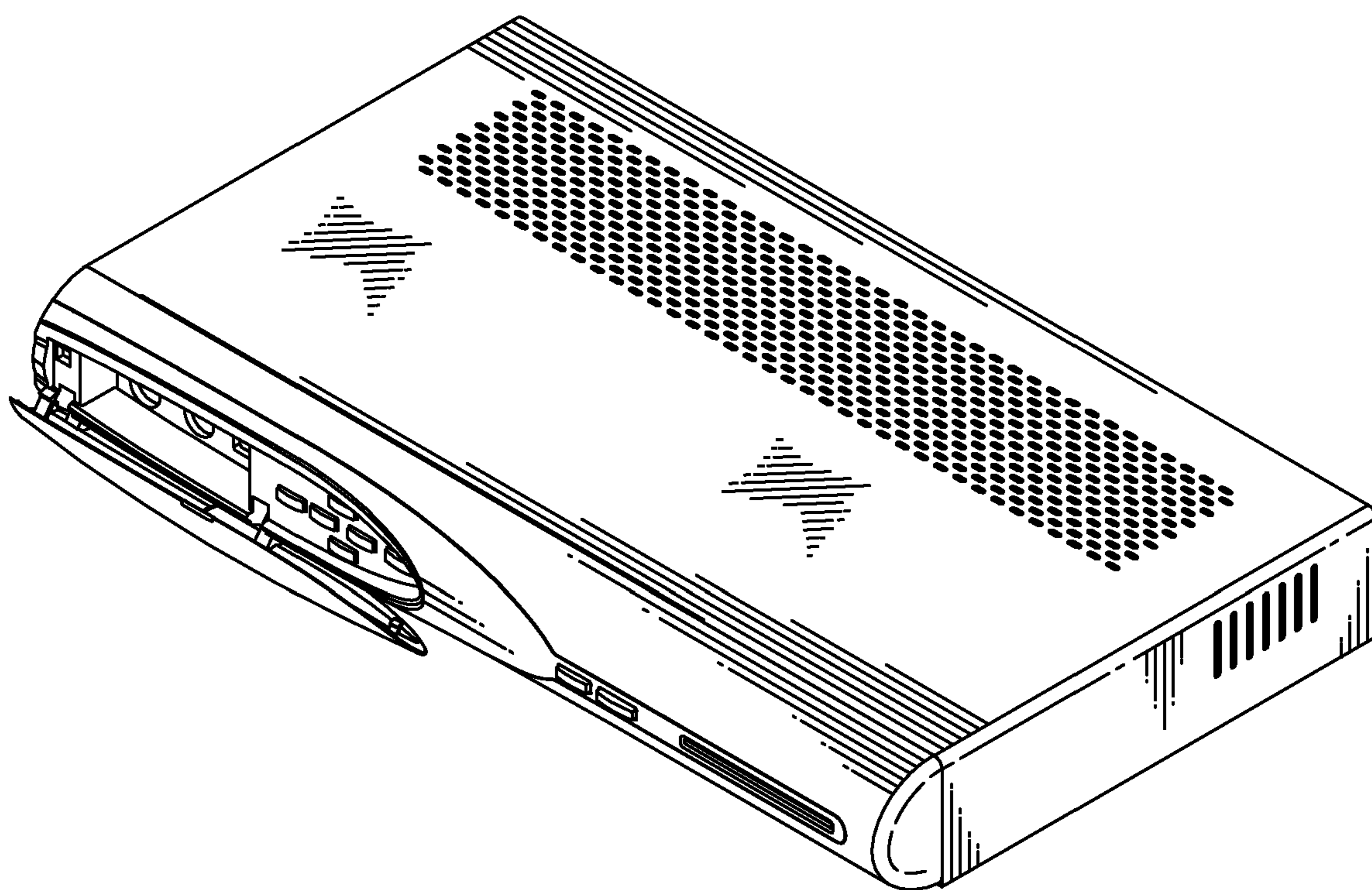


FIG. 8