



US00D571742S

(12) **United States Design Patent**
Shimizu

(10) **Patent No.:** **US D571,742 S**
(45) **Date of Patent:** **** Jun. 24, 2008**

(54) **TUNER FOR TELEVISION**

(75) Inventor: **Naoto Shimizu**, Tokyo (JP)

(73) Assignee: **Sony Computer Entertainment Inc.**,
Tokyo (JP)

(**) Term: **14 Years**

(21) Appl. No.: **29/283,086**

(22) Filed: **Aug. 6, 2007**

(30) **Foreign Application Priority Data**

Feb. 5, 2007 (JP) 2007-002441

(51) **LOC (8) Cl.** **14-03**

(52) **U.S. Cl.** **D14/125**

(58) **Field of Classification Search** D14/125-134,
D14/230-239, 371, 135, 136, 374-377, 138,
D14/299, 358, 155, 492, 356, 361-363, 365,
D14/496; 312/7.2, 208.1-223.2; 348/836,
348/838, 180, 184, 325, 739, 10, 460; 341/12;
248/465, 917-924, 123.11; 345/104, 133,
345/156, 168, 87, 173, 169; 349/1, 2, 11,
349/62; 720/605, 669, 600, 655, 99, 197;
455/344-347; 369/99, 197

See application file for complete search history.

(56) **References Cited**

U.S. PATENT DOCUMENTS

D338,888 S * 8/1993 Kaneko D14/239
D383,131 S * 9/1997 Biasotti et al. D14/149
D389,138 S 1/1998 Oshima
D409,203 S * 5/1999 Morimiya D14/242
D420,665 S * 2/2000 Rosenberg et al. D14/188

D489,701 S * 5/2004 Griffin D14/155
D501,192 S * 1/2005 Griffin D14/155
D515,545 S * 2/2006 Griffin D14/155
D529,878 S * 10/2006 Wang D14/125
D533,518 S * 12/2006 Hsiung D14/125
D540,753 S * 4/2007 Lukic et al. D14/125

OTHER PUBLICATIONS

Web page Press Release, "DS" <http://www.watch.impress.co.jp/av/docs/20060215/ninten.htm>, 4 sheets, Impress Watch Corporation (Feb., 2008).

* cited by examiner

Primary Examiner—Raphael Barkai

Assistant Examiner—Randall H Gholson

(74) *Attorney, Agent, or Firm*—Rader, Fishman & Grauer, PLLC

(57) **CLAIM**

The ornamental design for a tuner for television, as shown.

DESCRIPTION

FIG. 1 is a front elevational view of a tuner for television showing my new design;

FIG. 2 is a rear elevational view thereof;

FIG. 3 is a left side elevational view thereof;

FIG. 4 is a right side elevational view thereof;

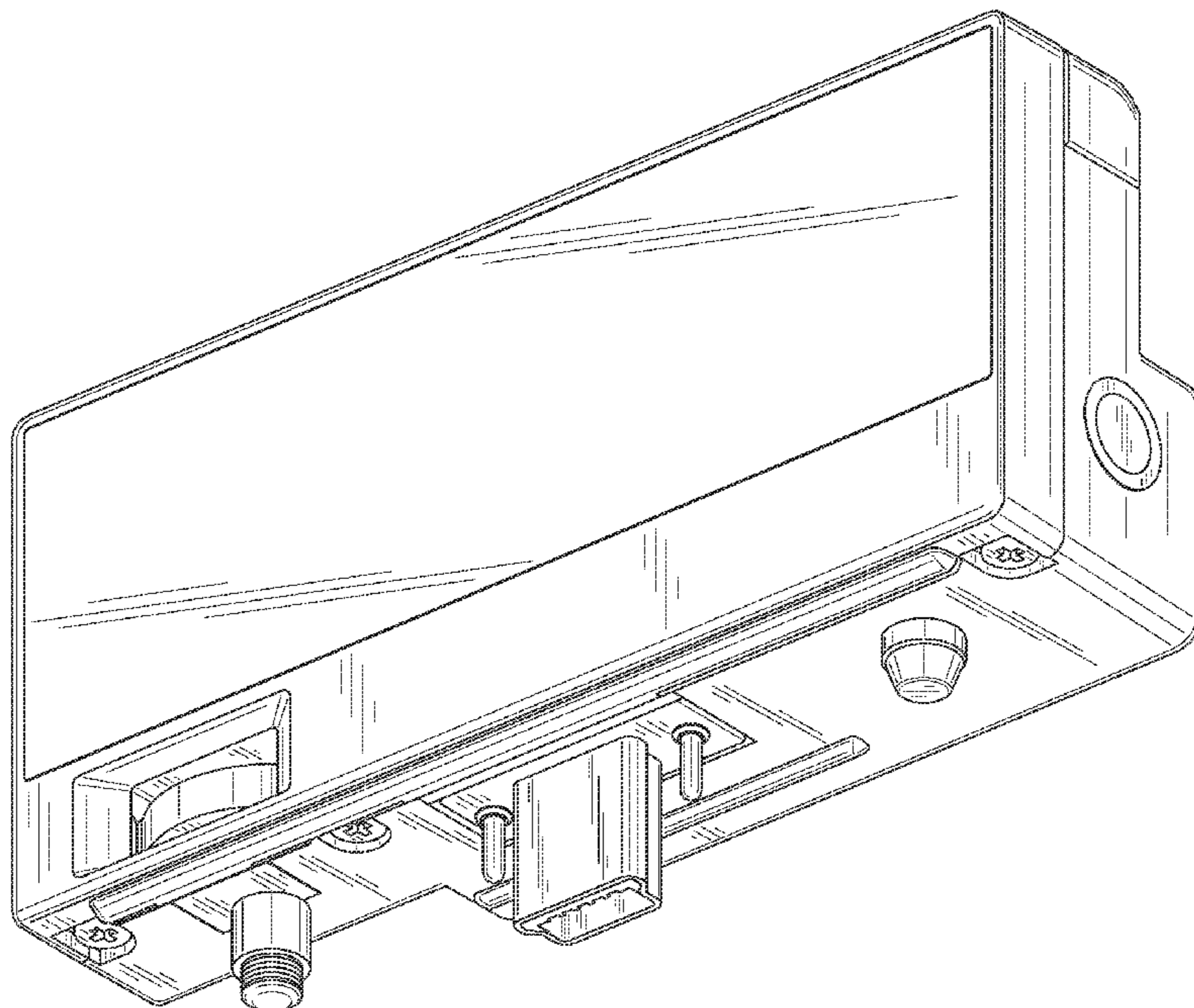
FIG. 5 is a top plan view thereof;

FIG. 6 is a bottom plan view thereof;

FIG. 7 is a front, right, bottom perspective view thereof; and,

FIG. 8 is a rear, left top perspective view thereof.

1 Claim, 8 Drawing Sheets



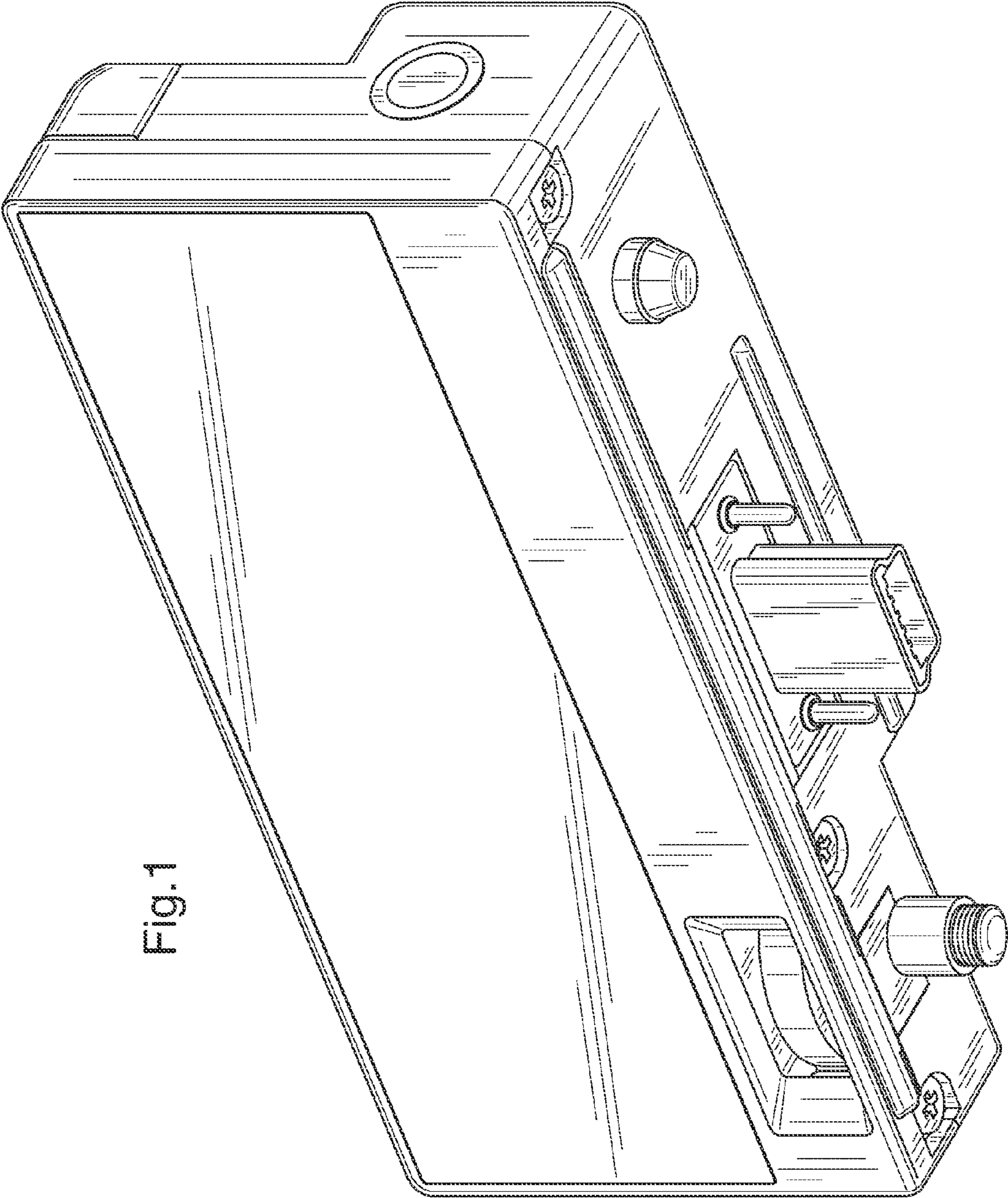


Fig.1

Fig.2

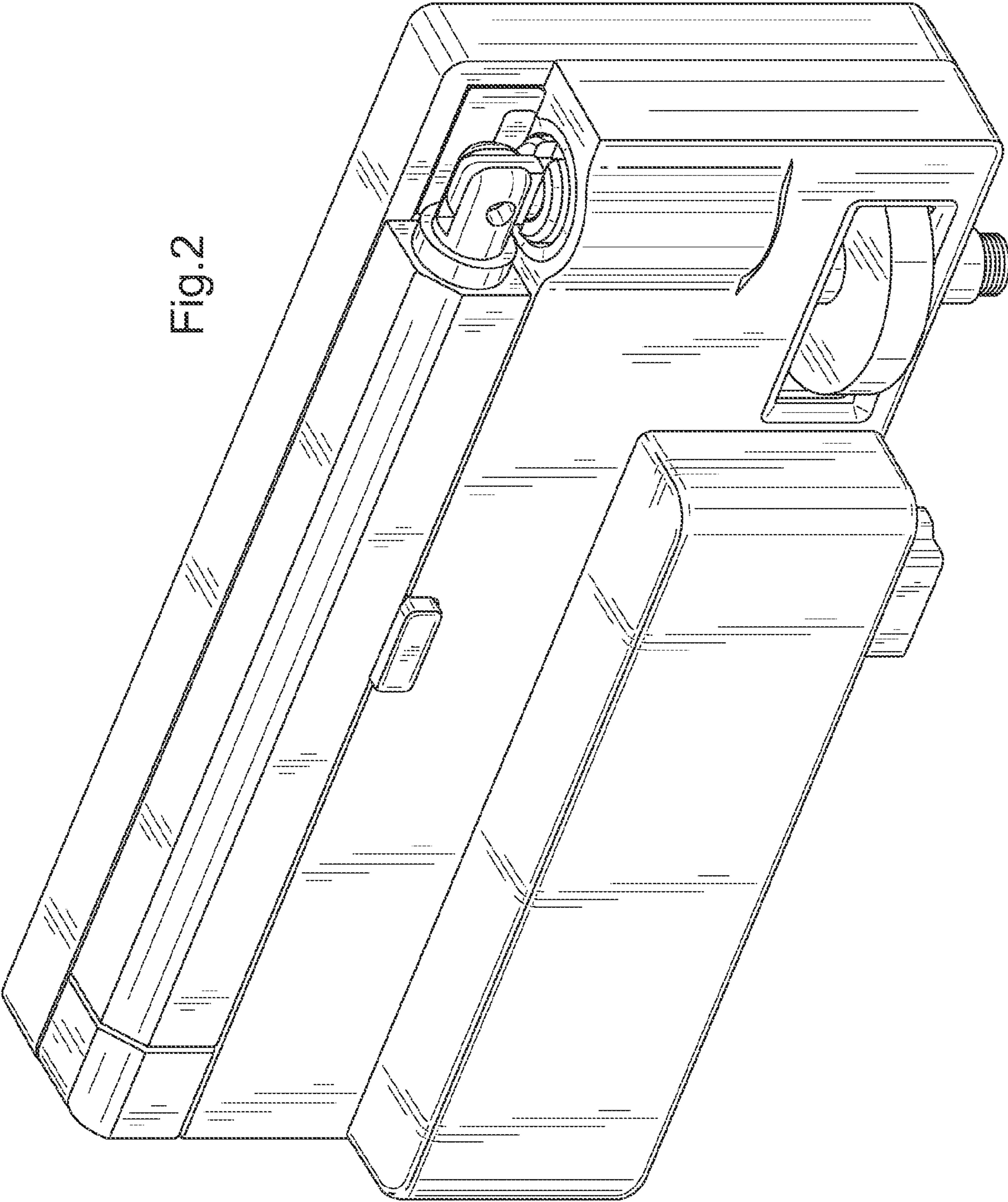


Fig. 3

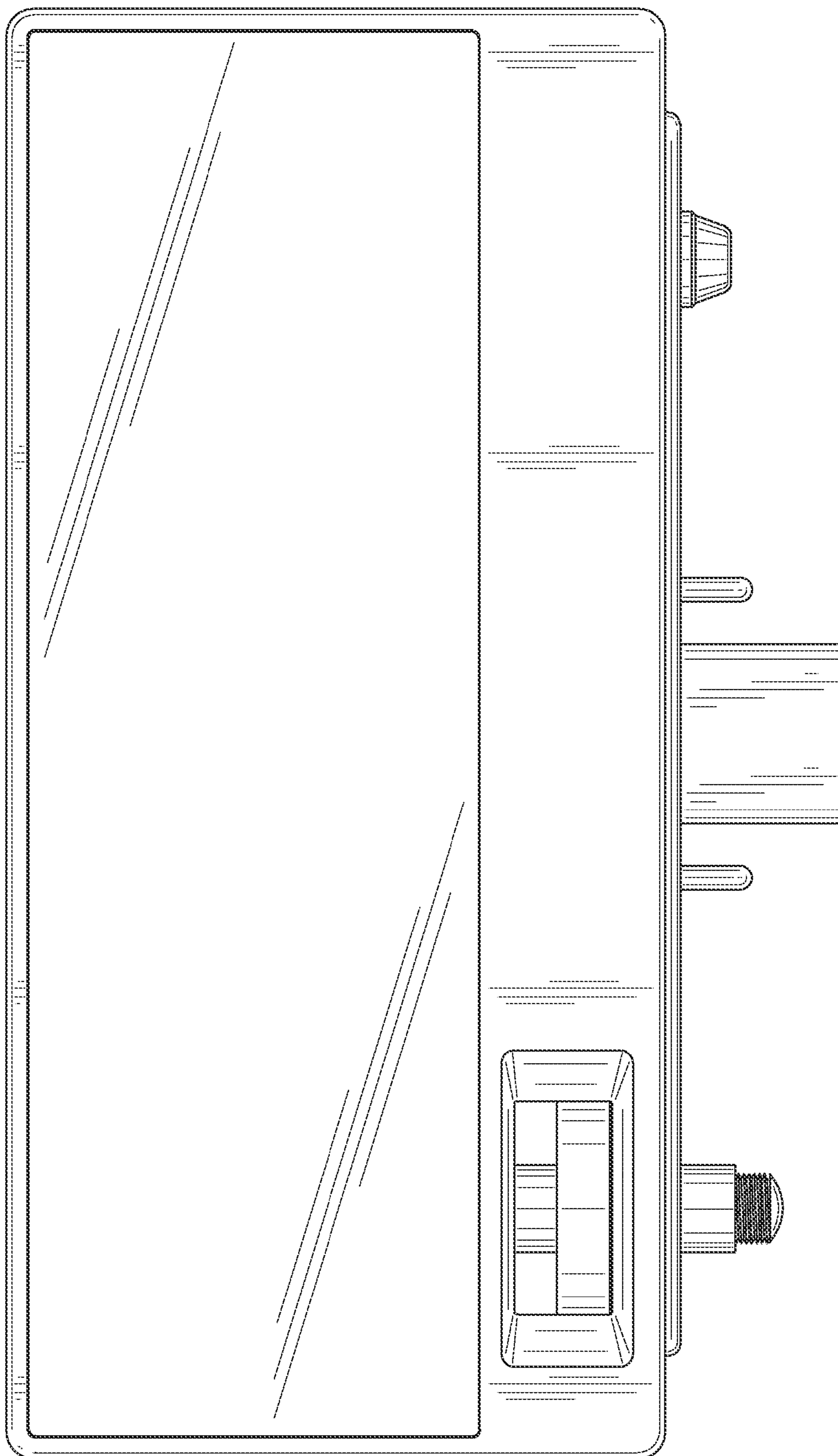


Fig.4

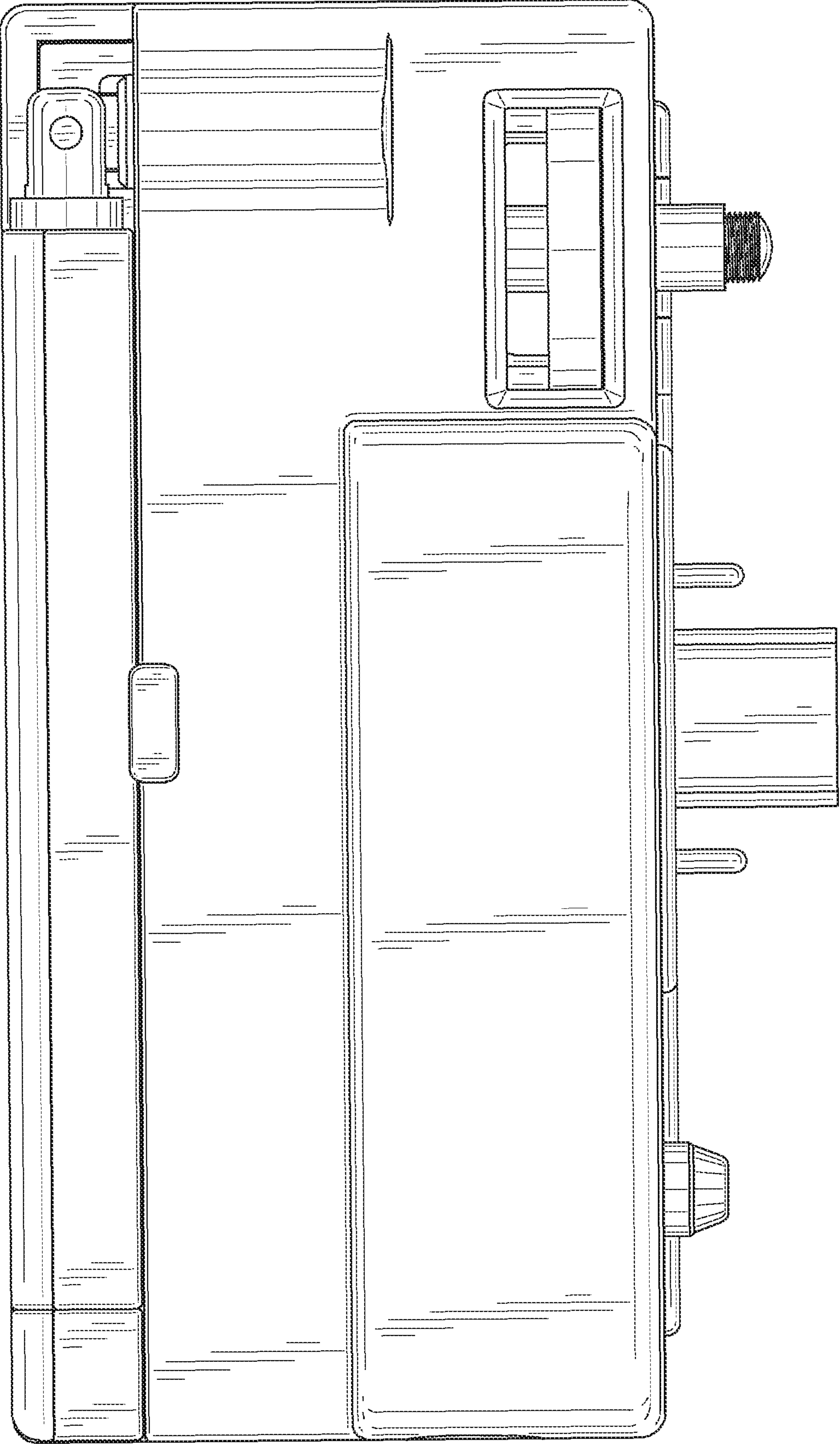


Fig. 5

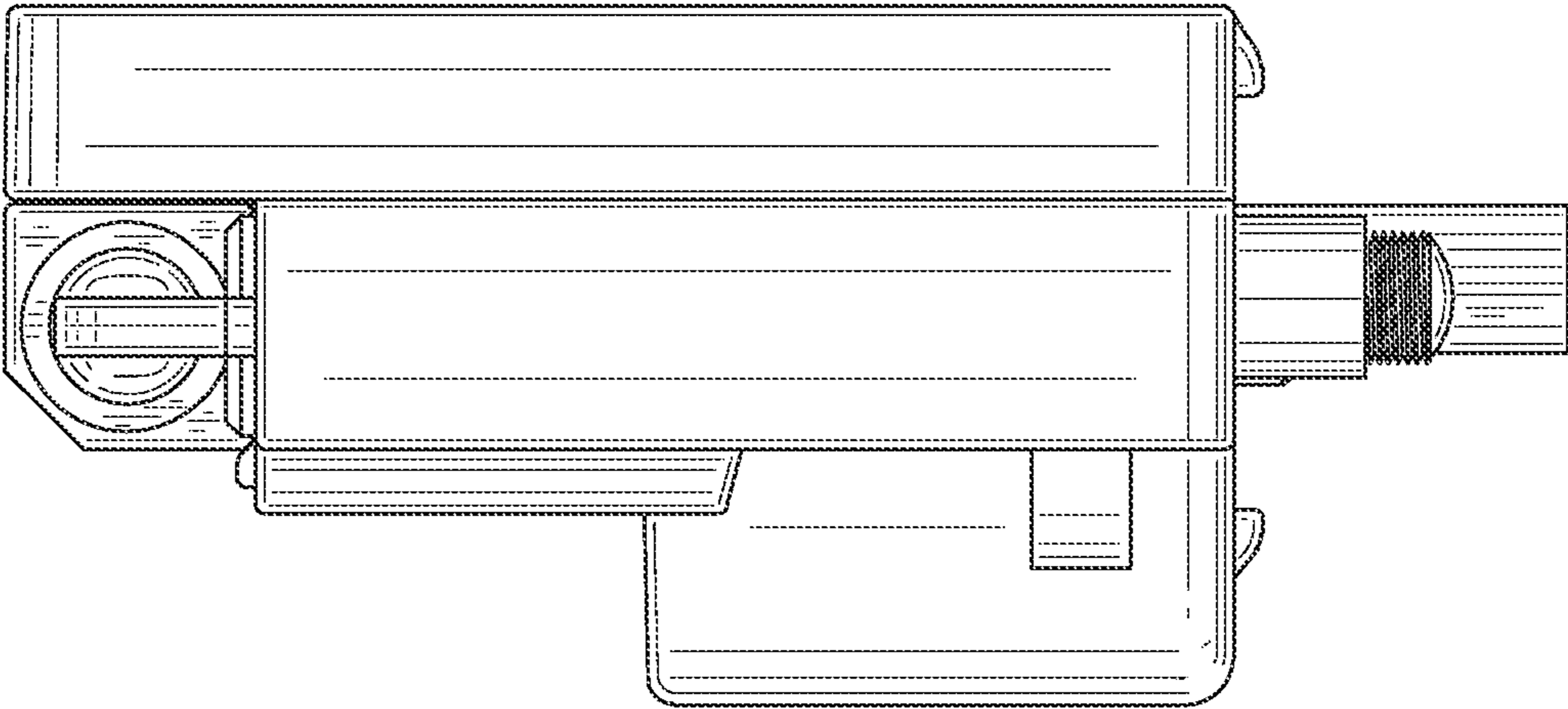


Fig. 6

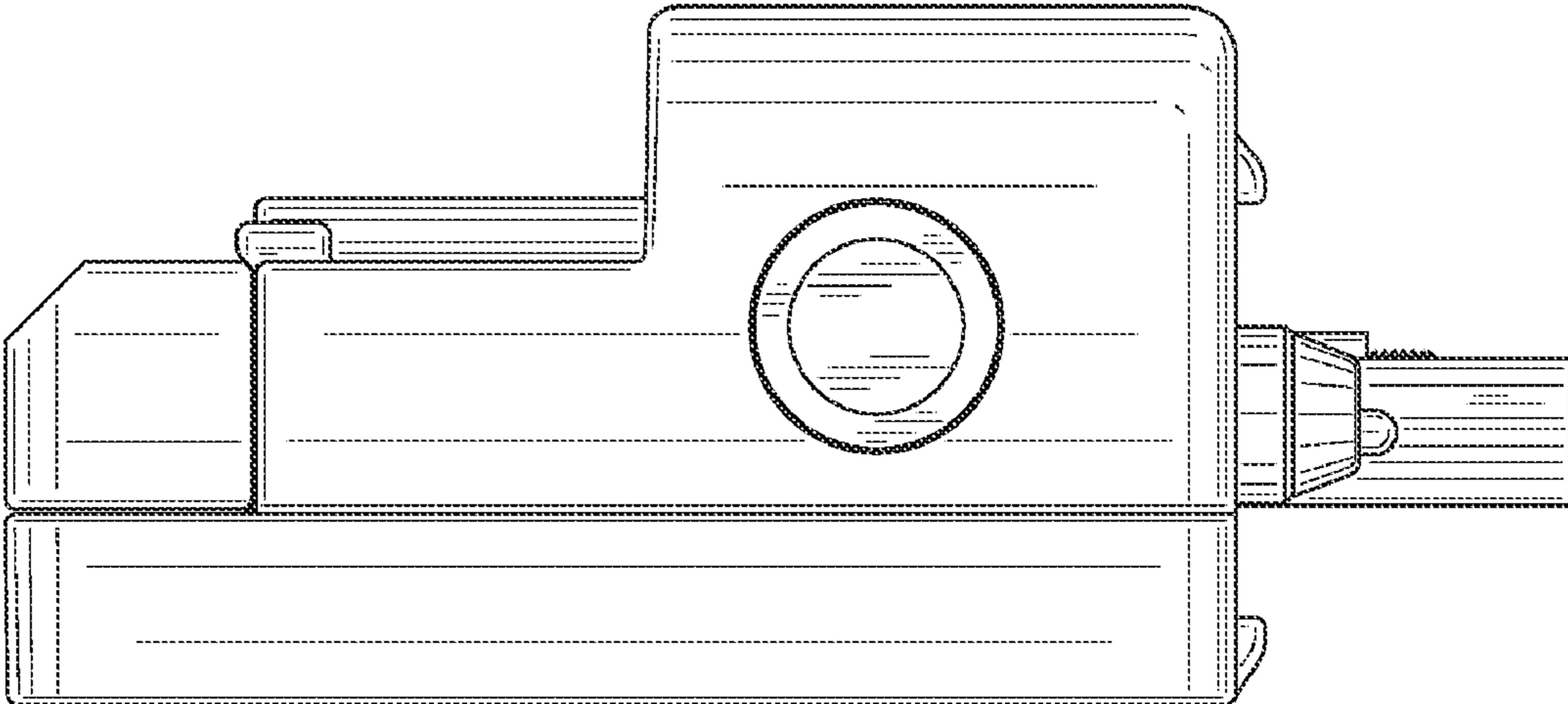


Fig.7

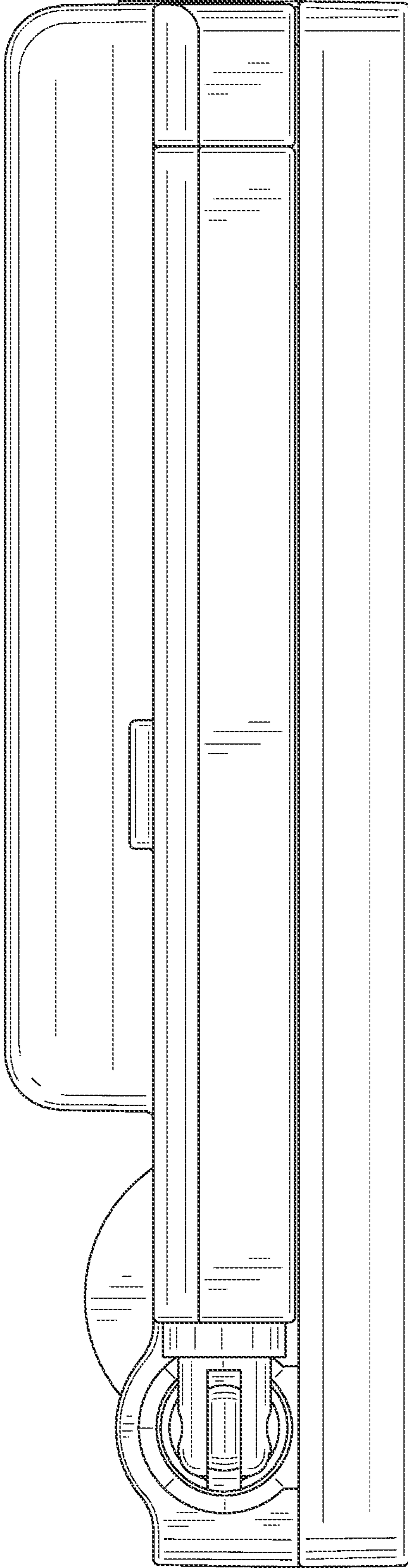


Fig. 8

