



US00D571738S

(12) **United States Design Patent**
Wall, Jr.

(10) **Patent No.:** **US D571,738 S**
(45) **Date of Patent:** **** Jun. 24, 2008**

(54) **LED PACKAGE**

(75) Inventor: **Franklin J. Wall, Jr.**, Vacaville, CA
(US)

(73) Assignee: **Philips Lumileds Lighting Company, LLC**, San Jose, CA (US)

(**) Term: **14 Years**

(21) Appl. No.: **29/281,100**

(22) Filed: **Jun. 14, 2007**

(51) **LOC (8) Cl.** **13-03**

(52) **U.S. Cl.** **D13/180**

(58) **Field of Classification Search** D13/180;
D26/2; 257/79, 80, 81, 88, 89, 95, 98, 99,
257/100, 675, 796; 313/483, 498, 500; 362/555,
362/800; 438/22, 27

See application file for complete search history.

(56) **References Cited**

U.S. PATENT DOCUMENTS

3,629,672	A *	12/1971	Van De Water	257/675
4,100,566	A *	7/1978	Okikawa et al.	257/796
4,270,138	A *	5/1981	Desmond	257/796
4,617,585	A *	10/1986	Yasui	257/796
4,675,718	A *	6/1987	Tsubokura et al.	257/796
4,963,975	A *	10/1990	Sawaya	257/669
6,828,170	B2 *	12/2004	Roberts et al.	438/27
2006/0063287	A1 *	3/2006	Andrews	438/22

* cited by examiner

Primary Examiner—Selina Sikder

(74) *Attorney, Agent, or Firm*—Patent Law Group LLP; Brian D. Ogonowsky

(57) **CLAIM**

The ornamental design for a LED package, substantially as shown and described.

DESCRIPTION

FIG. 1 is an upper left front perspective view of the LED package, where the electrodes, LEDs, submount, and certain other features shown in dashed outline illustrate how the LED package design may be used in conjunction with those elements, and where the elements in dashed outline do not form part of the design.

FIG. 2 is a lower left rear perspective view of the LED package of FIG. 1 where the elements in dashed outline do not form part of the design.

FIG. 3 is an upper left front perspective view of the LED package of FIG. 1.

FIG. 4 is a lower left rear perspective view of the LED package of FIG. 1.

FIG. 5 is a front elevational view of the LED package of FIG. 1.

FIG. 6 is a left side elevational view of the LED package of FIG. 1.

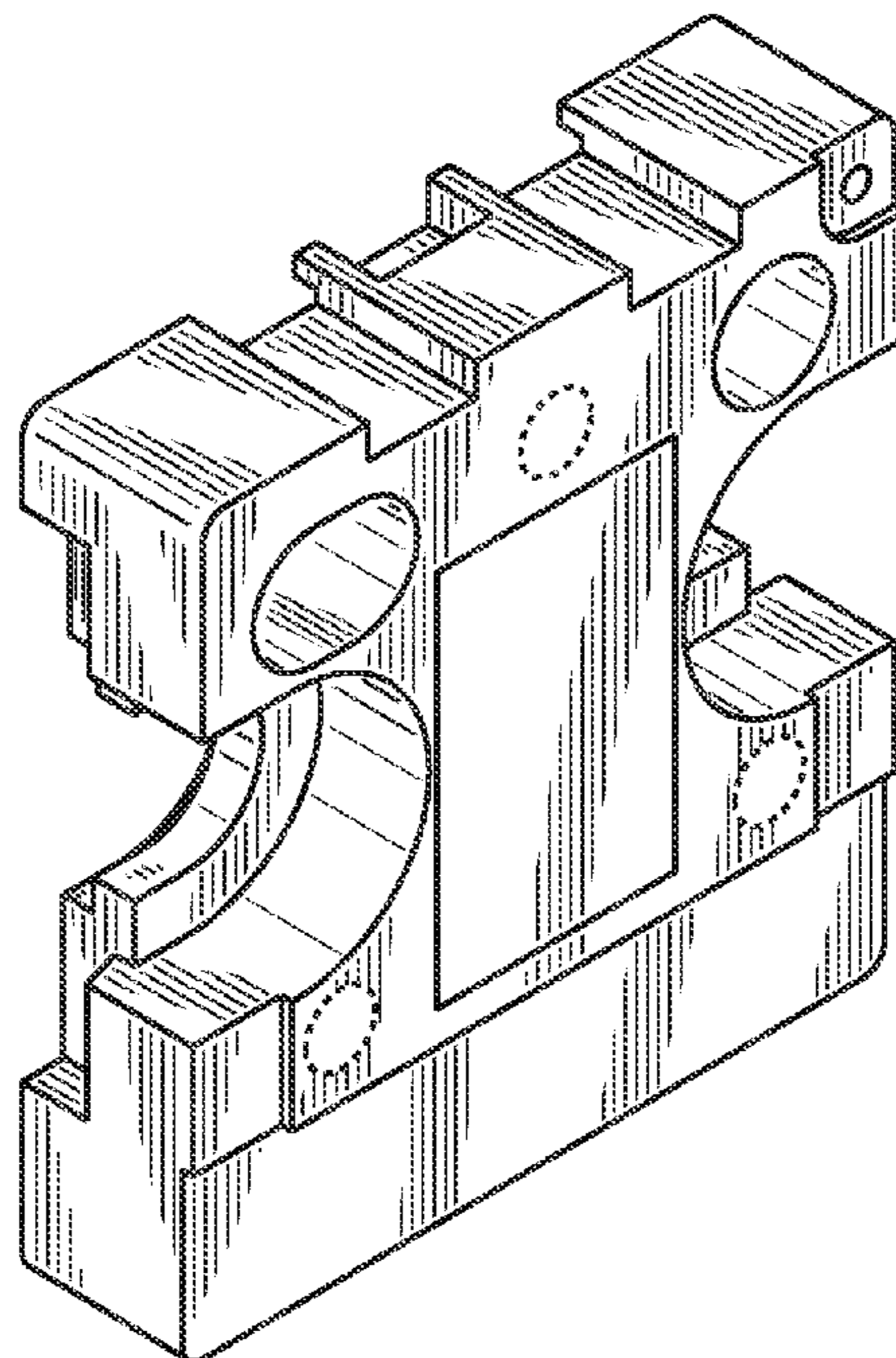
FIG. 7 is a top plan view of the LED package of FIG. 1.

FIG. 8 is a rear elevational view of the LED package of FIG. 1.

FIG. 9 is a right side elevational view of the LED package of FIG. 1; and,

FIG. 10 is a bottom plan view of the LED package of FIG. 1.

1 Claim, 4 Drawing Sheets



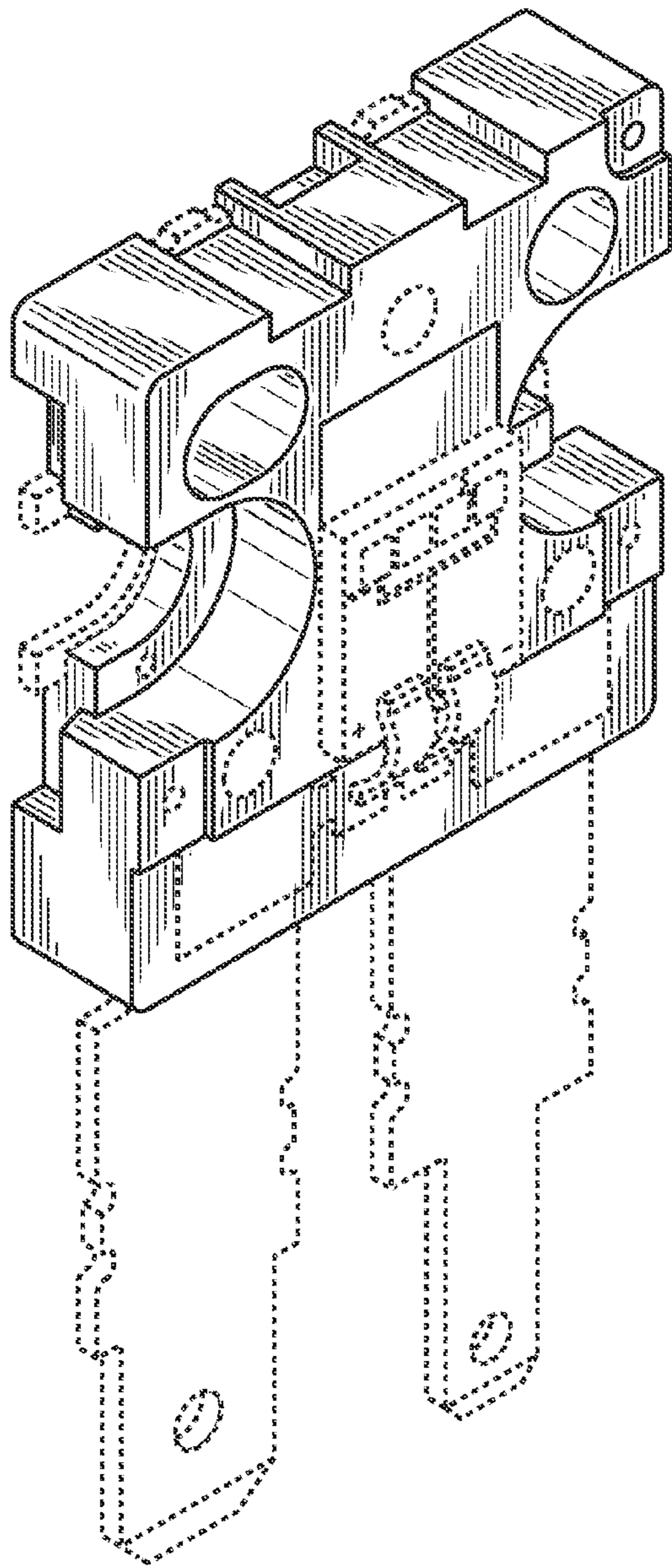


FIG. 1

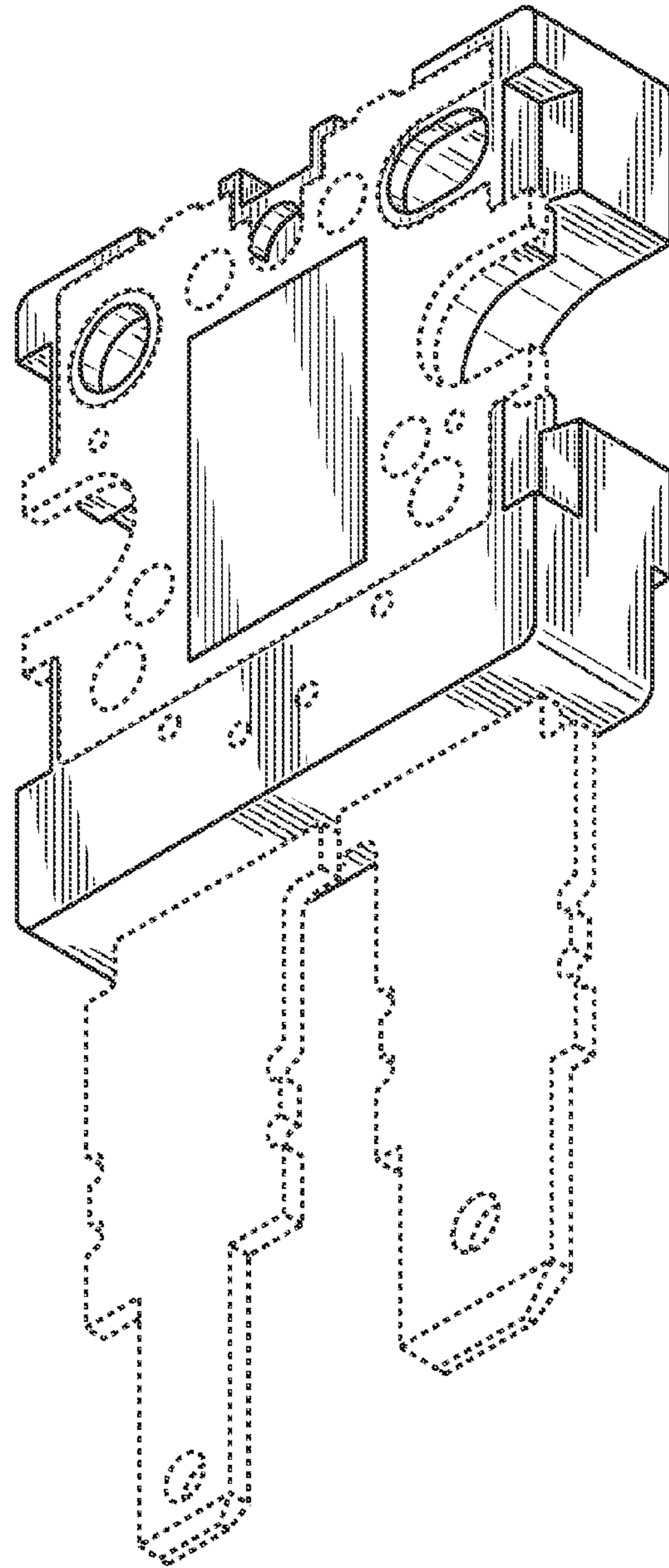


FIG. 2

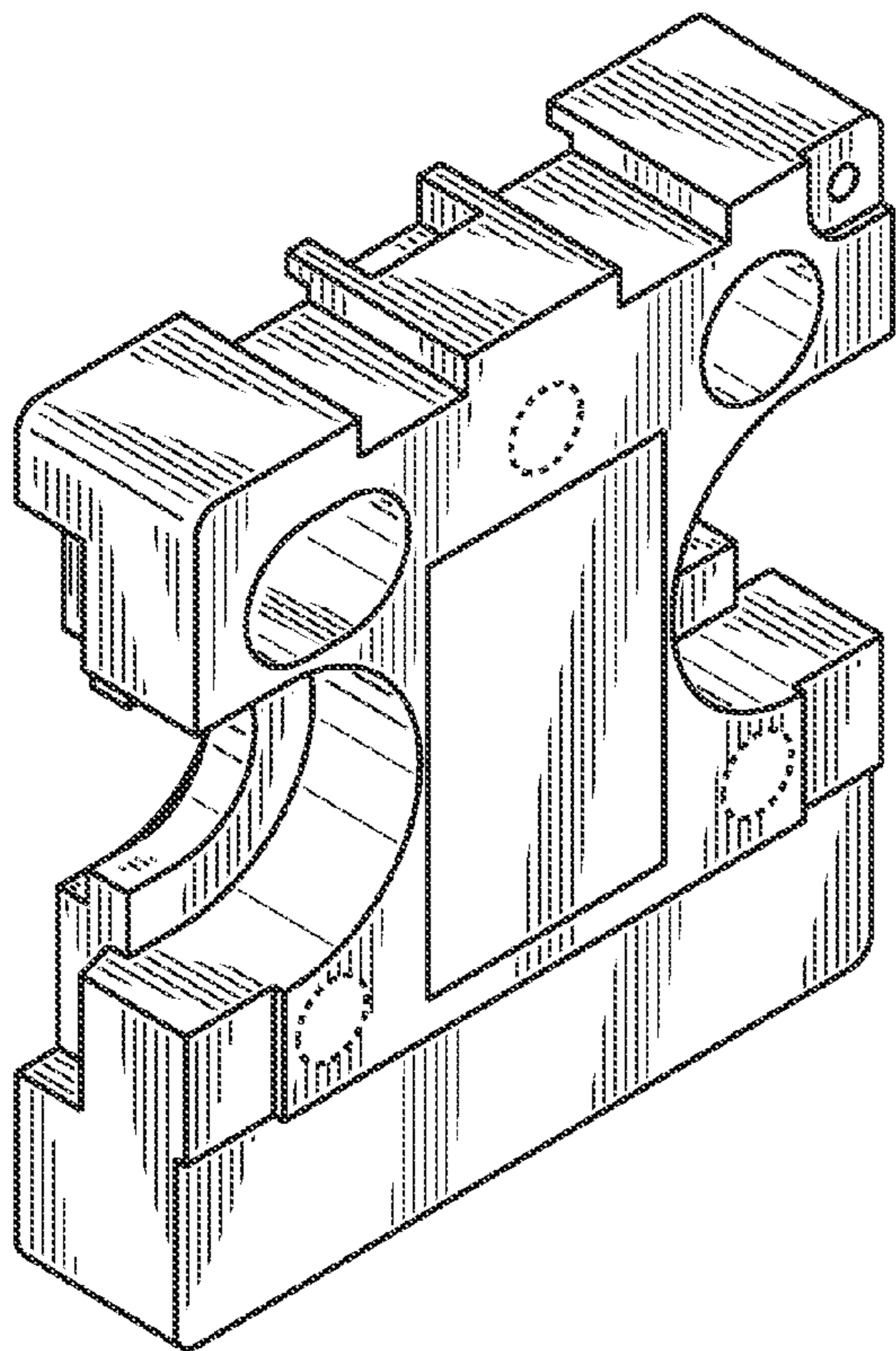


FIG. 3

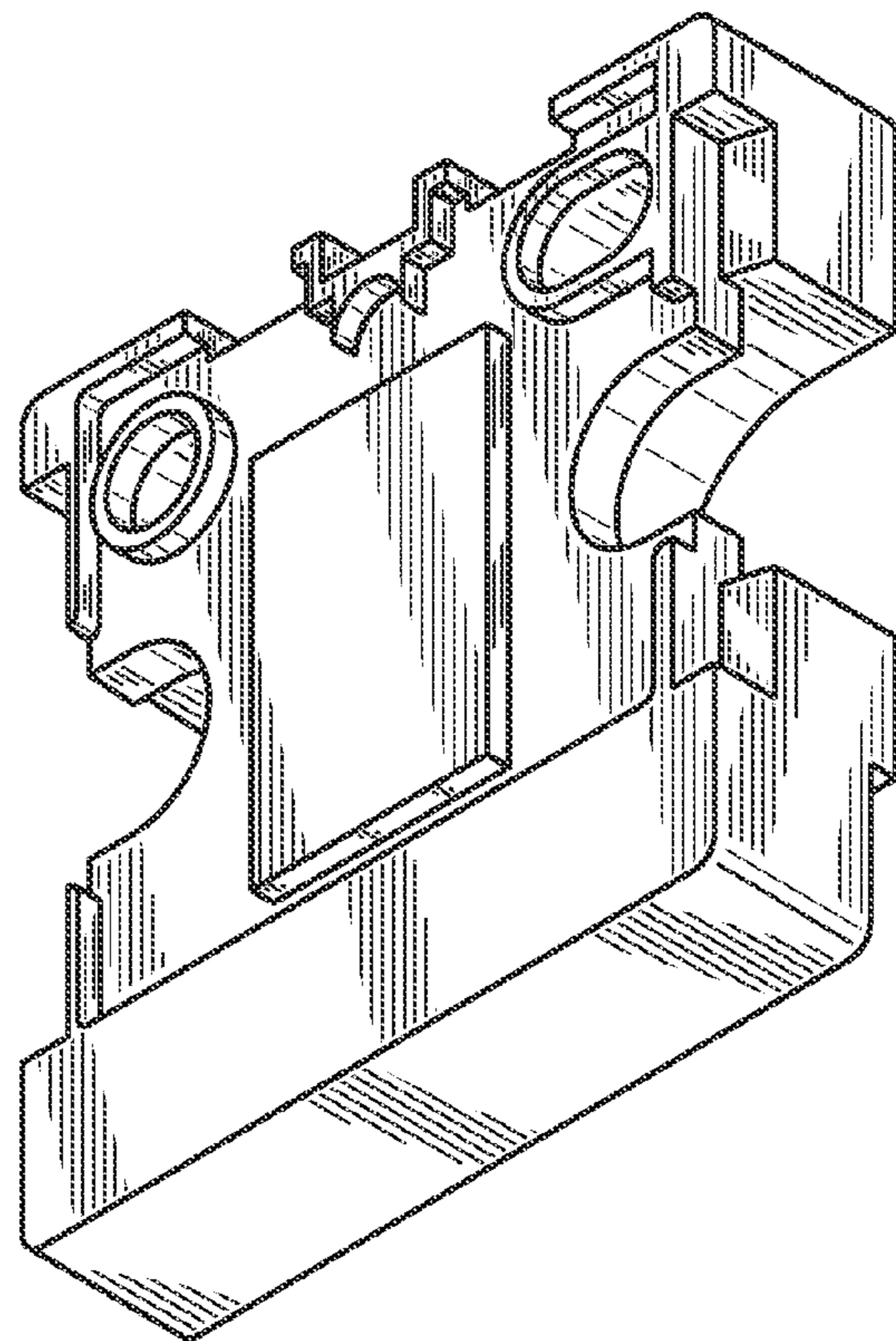


FIG. 4

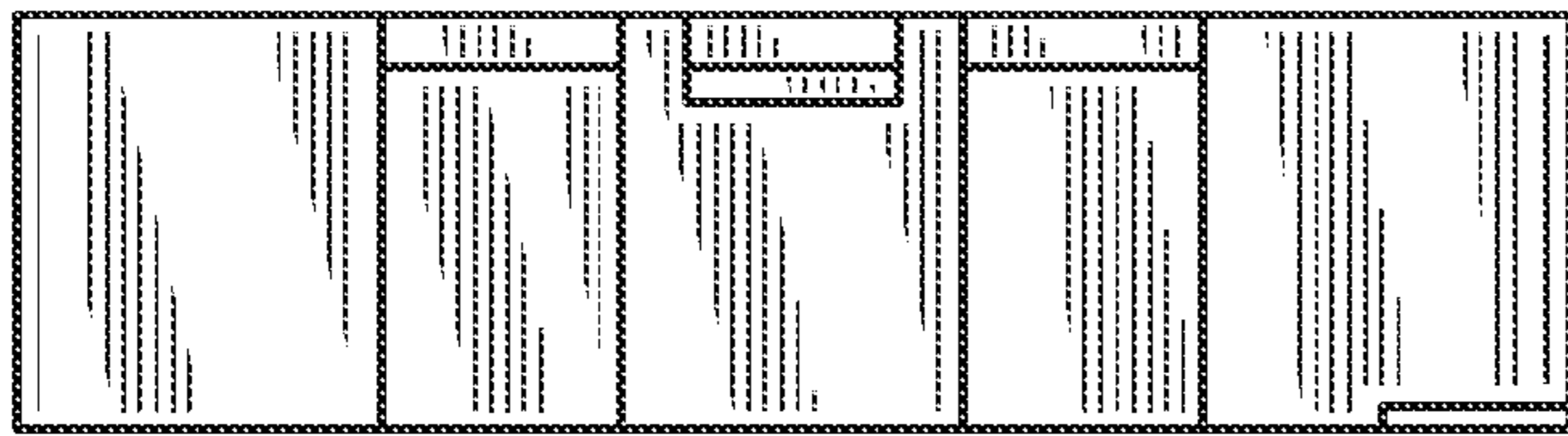


FIG. 7

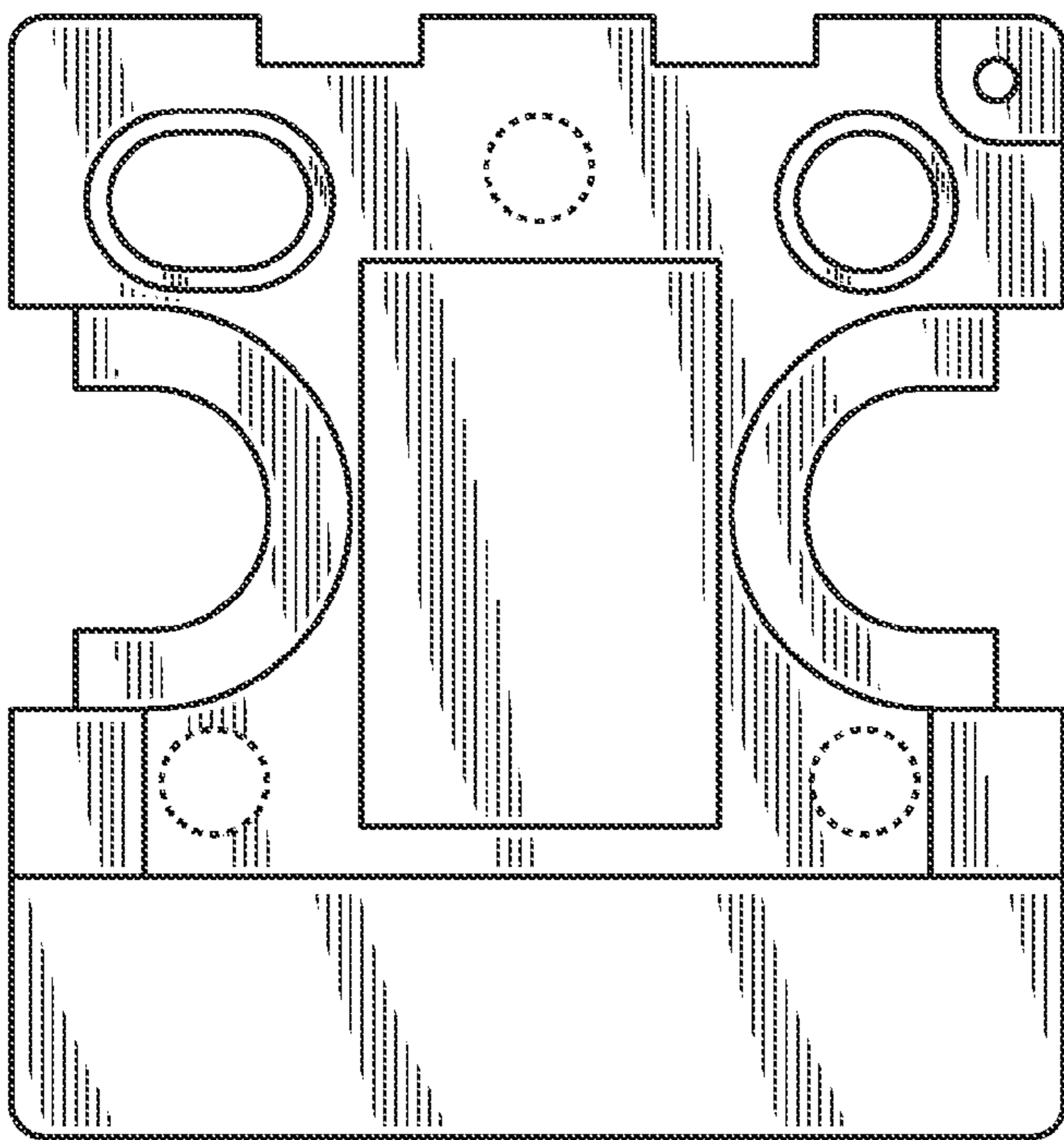


FIG. 5

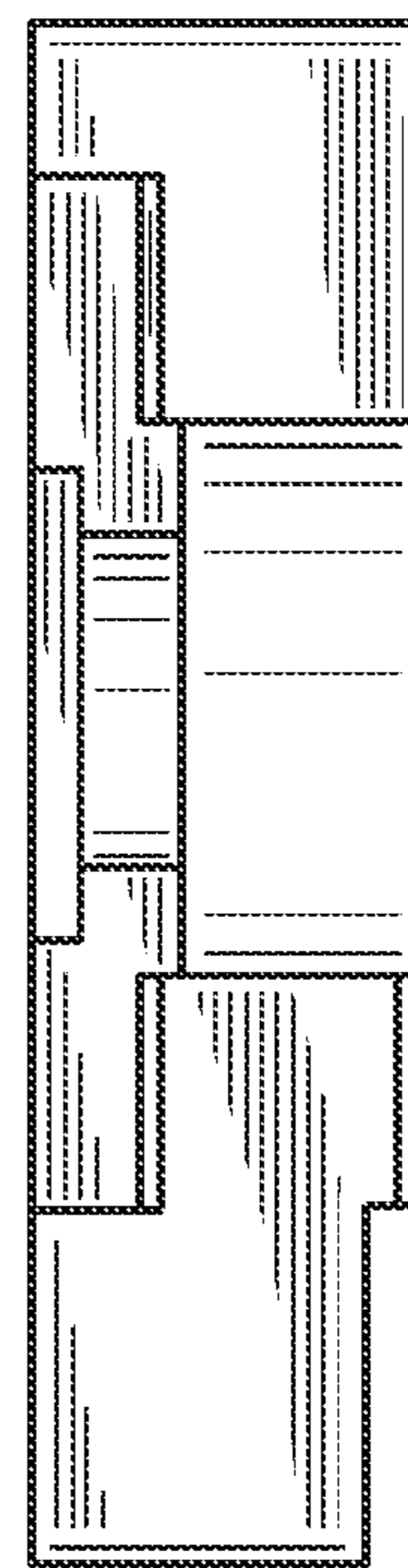


FIG. 6

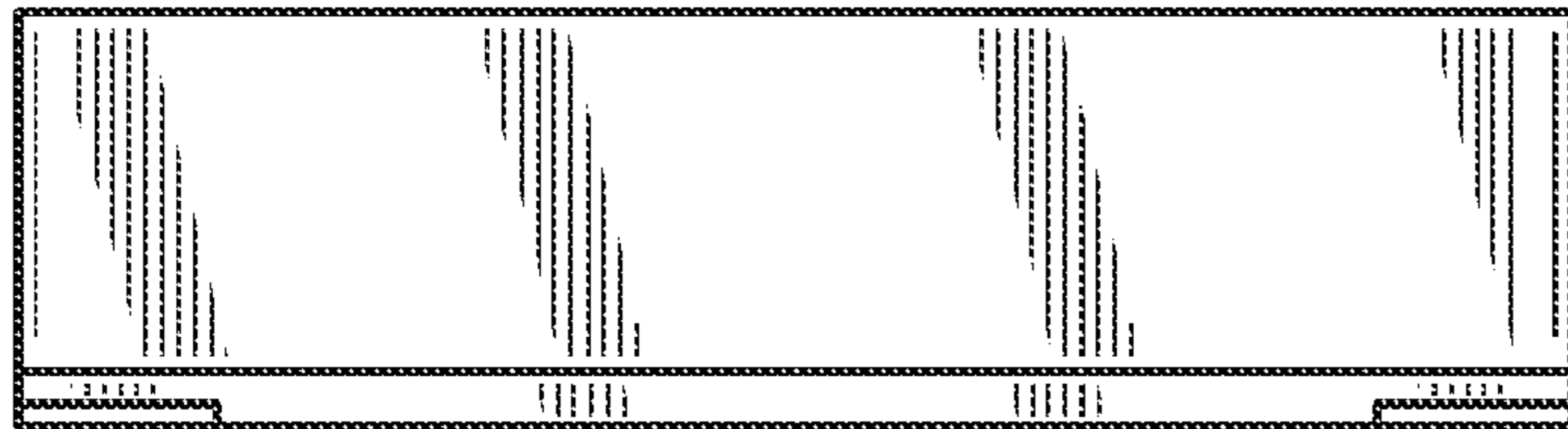


FIG. 10

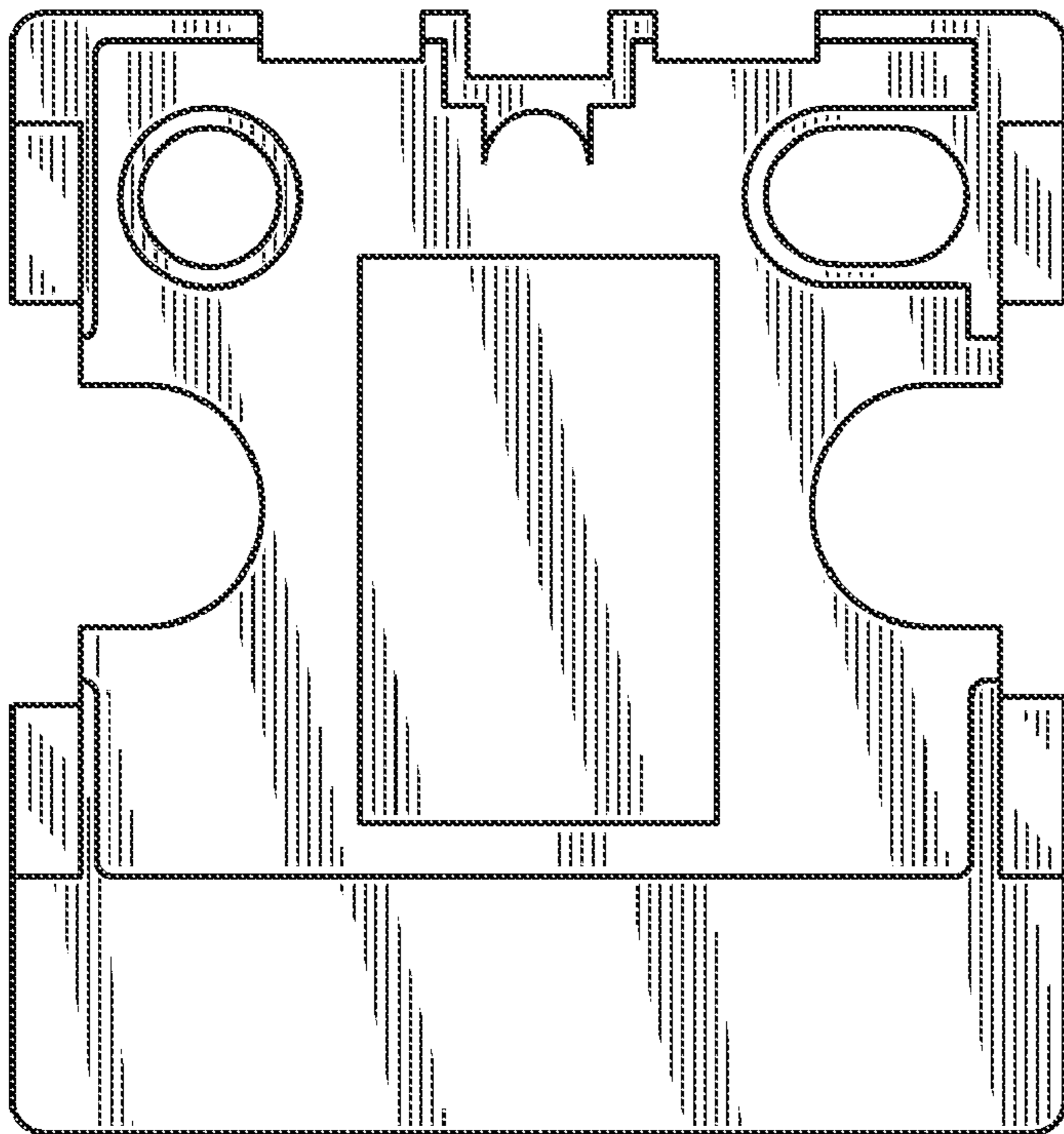


FIG. 8

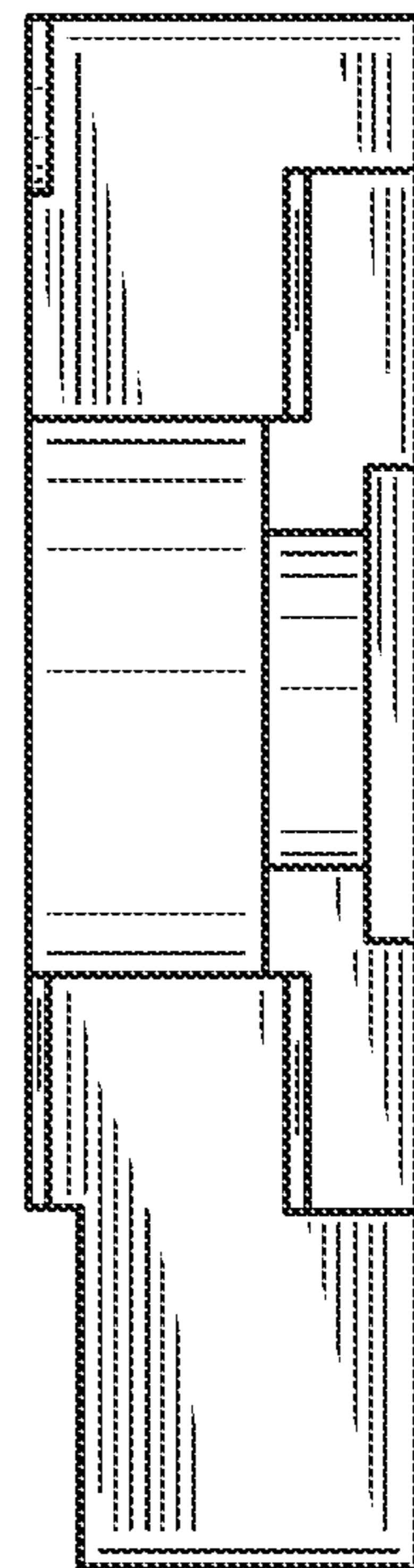


FIG. 9