



US00D571733S

(12) **United States Design Patent**
Seil

(10) **Patent No.:** **US D571,733 S**
(45) **Date of Patent:** **** Jun. 24, 2008**

(54) **CABLE SPLITTER HOUSING**

(75) Inventor: **Oliver Duncan Seil**, Pasadena, CA (US)

(73) Assignee: **Belkin International, Inc.**, Compton, CA (US)

(**) Term: **14 Years**

(21) Appl. No.: **29/237,151**

(22) Filed: **Aug. 25, 2005**

(51) **LOC (8) Cl.** **13-03**

(52) **U.S. Cl.** **D13/156**

(58) **Field of Classification Search** D13/152,
D13/154, 156, 177; 174/50; 439/367-369,
439/371

See application file for complete search history.

(56) **References Cited**

U.S. PATENT DOCUMENTS

D332,940 S *	2/1993	Finlay	D13/154
5,259,782 A *	11/1993	Giffin	439/367
D346,787 S *	5/1994	Cullen	D13/154
5,755,588 A *	5/1998	Sweatman et al.	439/369
D407,377 S *	3/1999	Landerholm et al.	D13/154
5,913,692 A *	6/1999	Targett	439/369
D473,524 S *	4/2003	Koehler	D13/156
D479,201 S *	9/2003	Limber et al.	D13/156
D486,453 S *	2/2004	Prior, Jr.	D13/156

D496,000 S * 9/2004 Cornell D13/156

FOREIGN PATENT DOCUMENTS

JP 85305025 9/1996

OTHER PUBLICATIONS

Retrieved from the internet; Image of Cable Splitter; http://www.monstercable.com/images_db/monstergame/playstation/gamelink300-glam.jpg on Aug. 9, 2005.

* cited by examiner

Primary Examiner—Brian N Vinson

(74) *Attorney, Agent, or Firm*—Bryan Cave LLP

(57) **CLAIM**

I claim the ornamental design for a cable splitter housing, as shown and described.

DESCRIPTION

FIG. 1 is a front elevational view of the cable splitter housing;

FIG. 2 is a rear elevational view thereof;

FIG. 3 is a top view thereof, the bottom view being a mirror image of the top view;

FIG. 4 is a left side elevational view thereof, the right side elevational view being a mirror image of the left side elevational view; and,

FIG. 5 is a rear, left, top perspective view thereof.

The broken lines in the drawings are for illustrative purposes only and form no part of the claimed design.

1 Claim, 1 Drawing Sheet

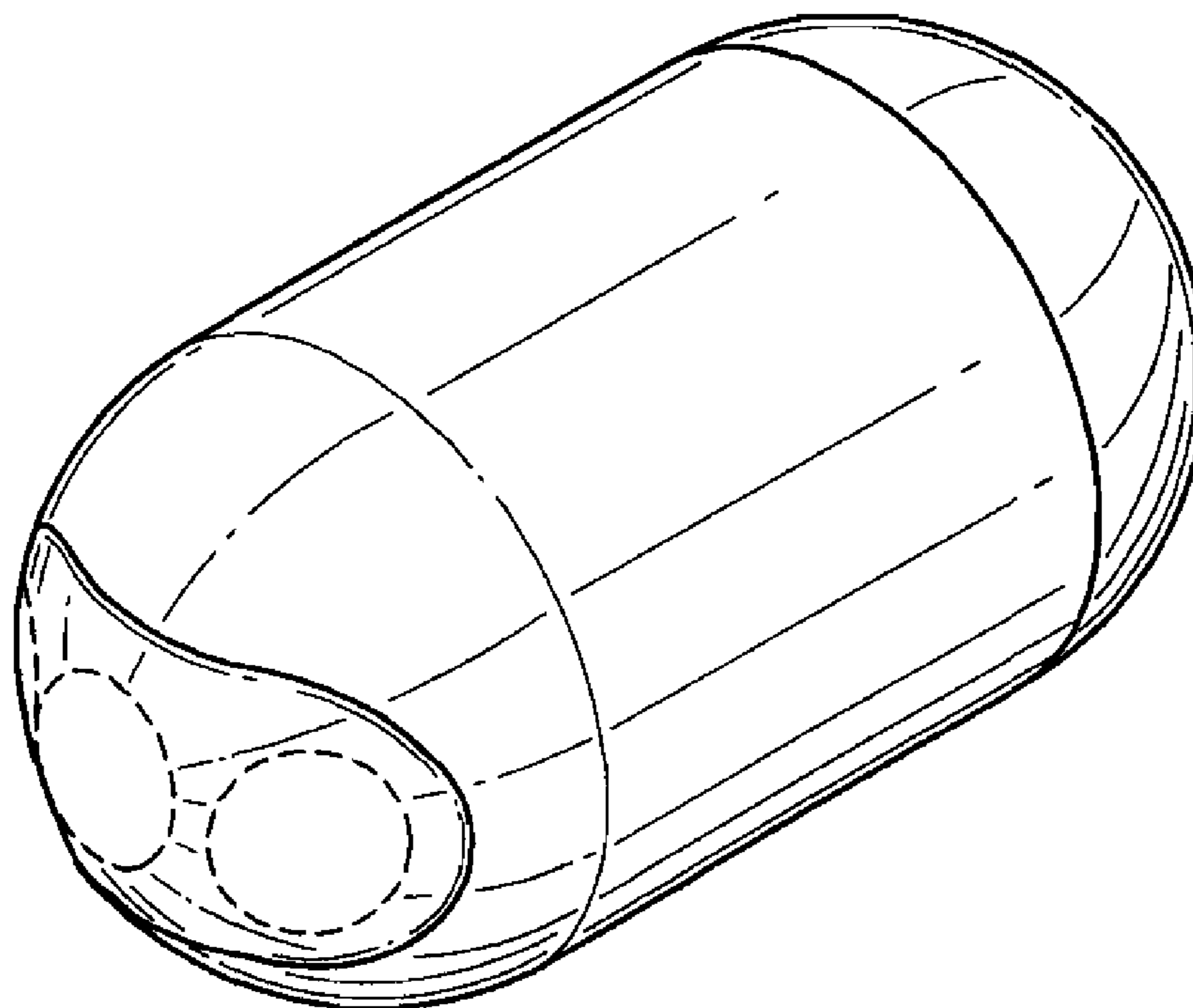


FIG. 1

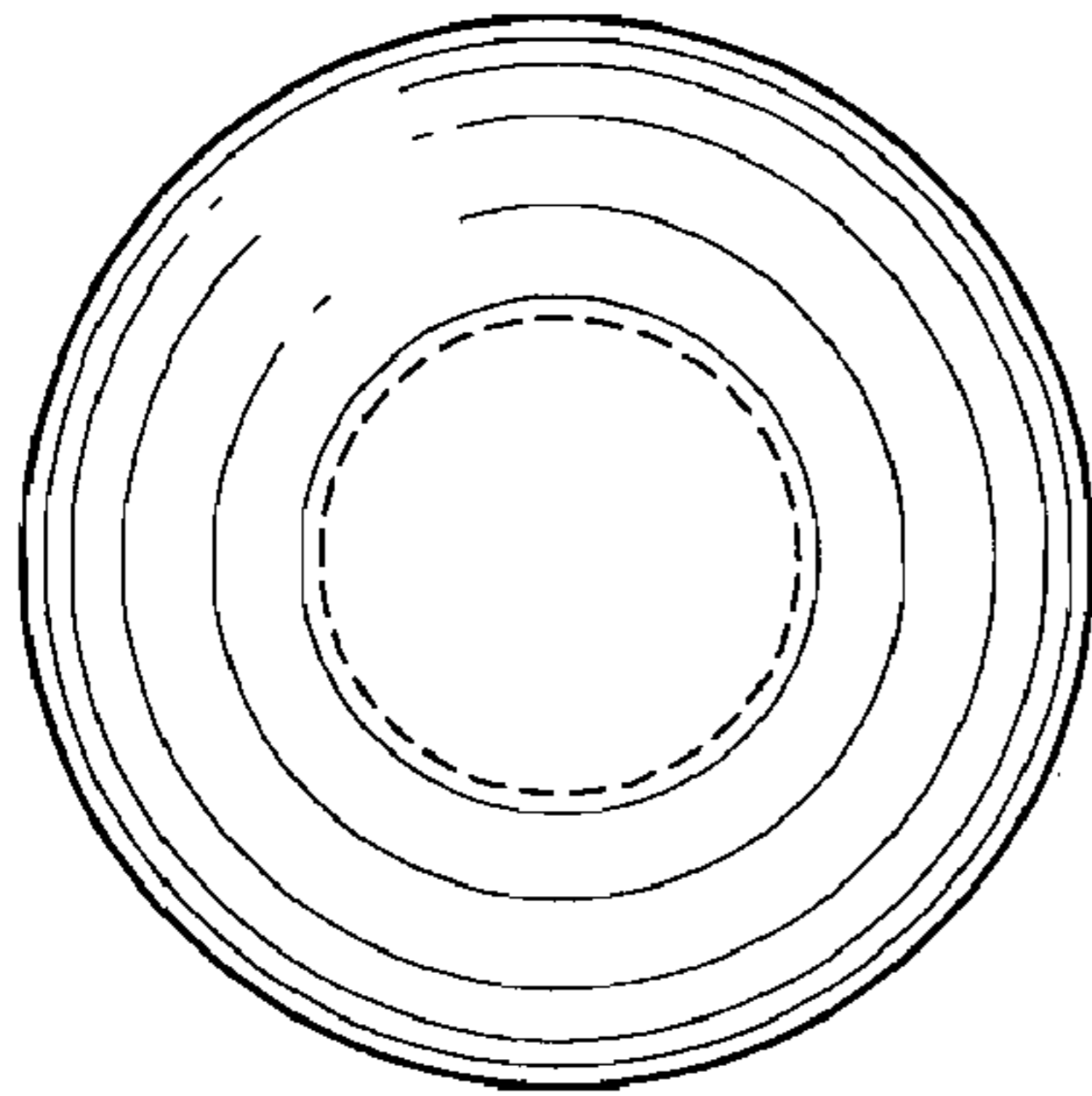


FIG. 2

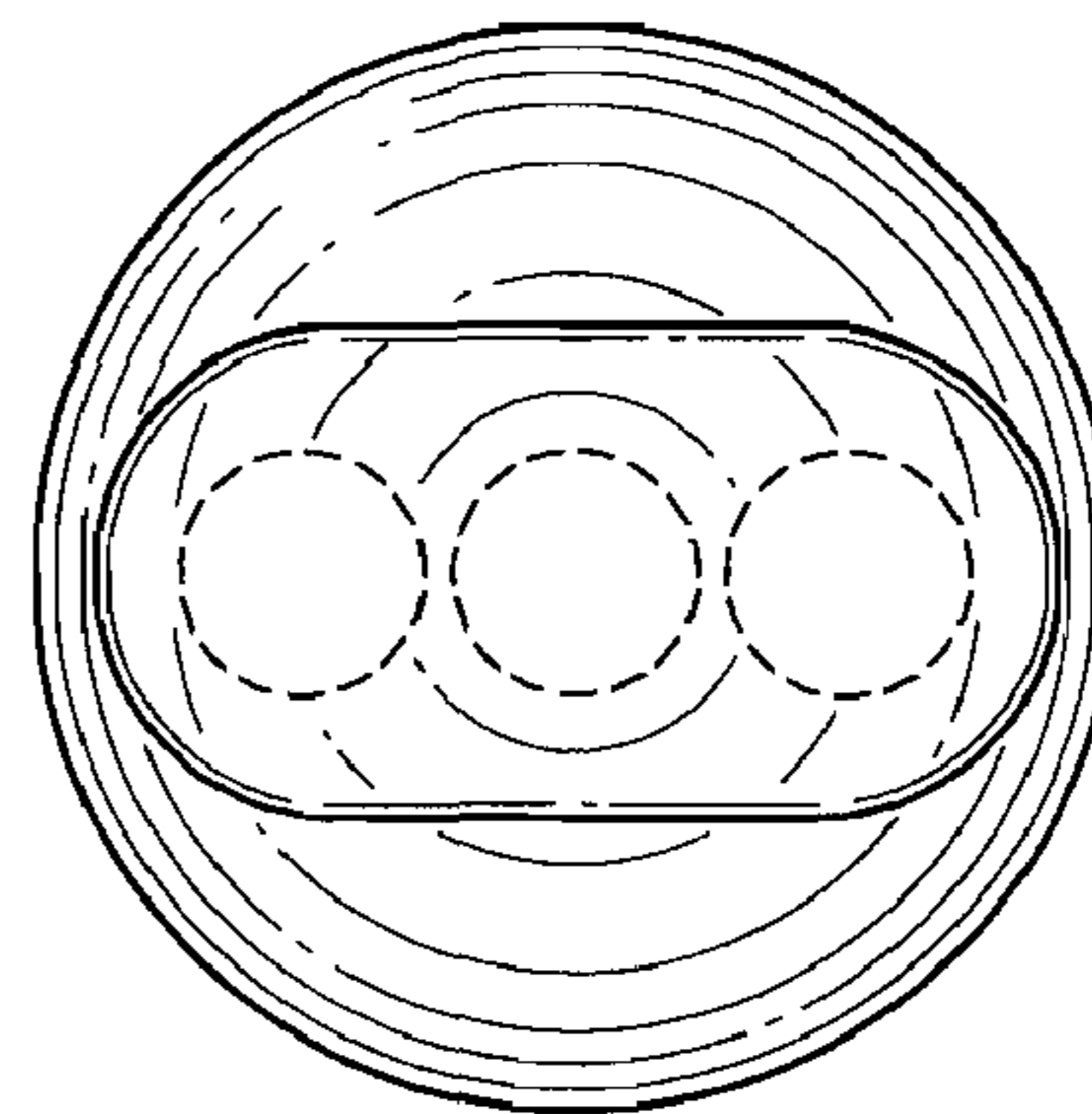


FIG. 3

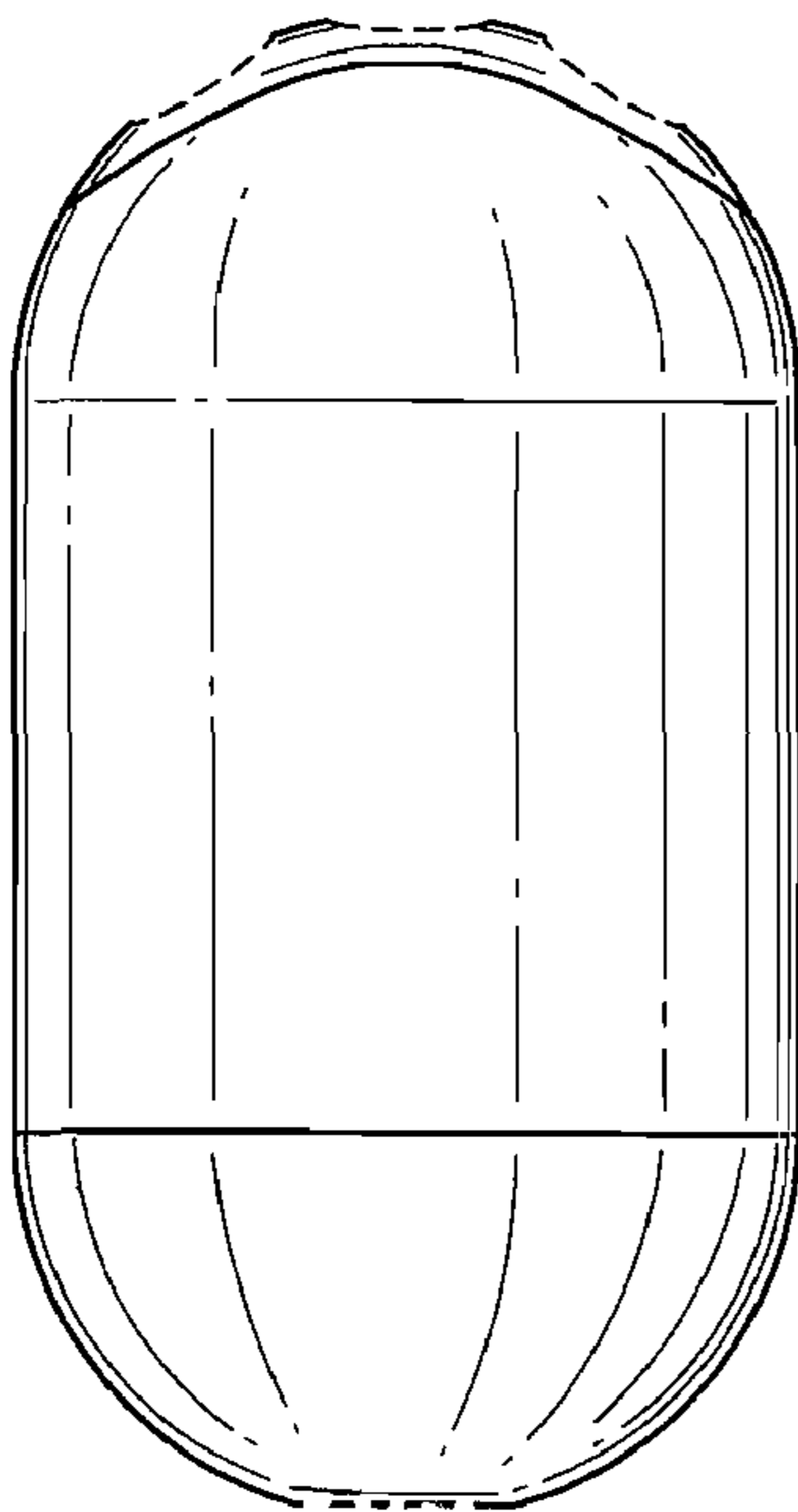


FIG. 4

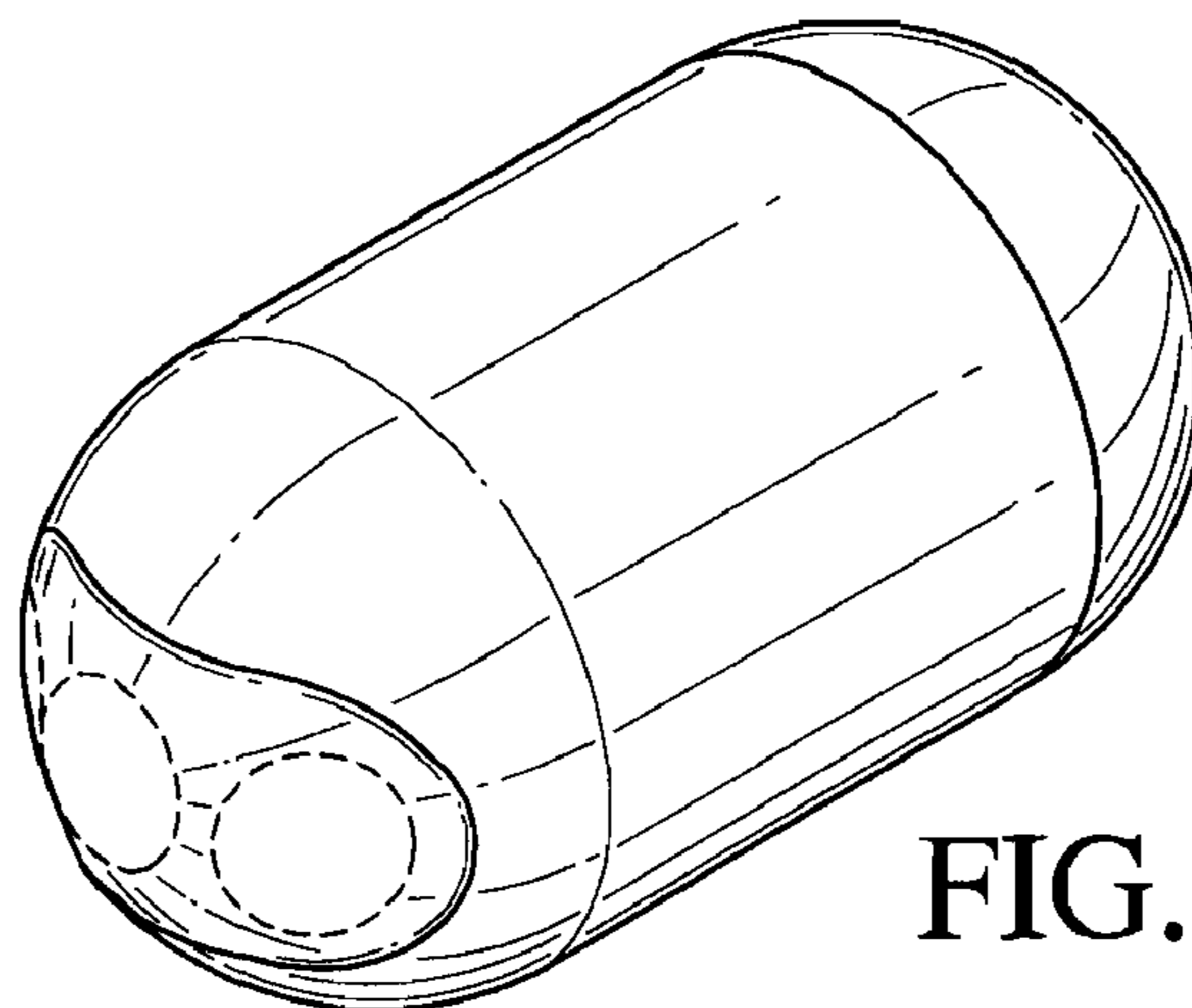
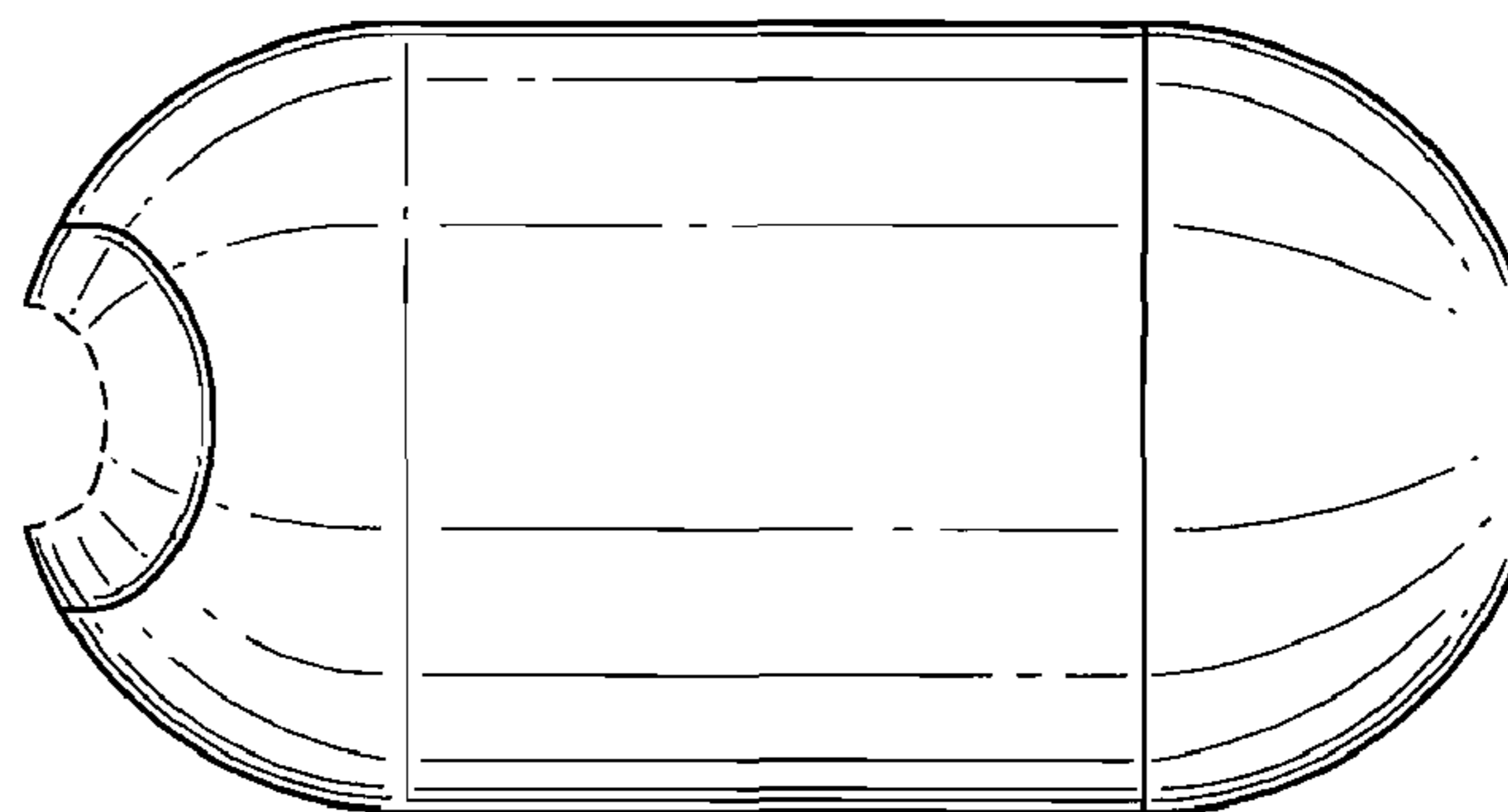


FIG. 5