



US00D571727S

(12) **United States Design Patent**
Yang et al.

(10) **Patent No.:** **US D571,727 S**
(45) **Date of Patent:** **** Jun. 24, 2008**

(54) **INTERFACE CONNECTOR**

(75) Inventors: **Mei Chuan Yang**, Tucheng (TW);
Chung Hsin Huang, Tucheng (TW)

(73) Assignee: **Cheng Uei Precision Industry Co., Ltd.**, Taipei Hsien (TW)

(**) Term: **14 Years**

(21) Appl. No.: **29/259,872**

(22) Filed: **May 18, 2006**

(30) **Foreign Application Priority Data**

Jan. 20, 2006 (TW) 95300341

(51) **LOC (8) Cl.** **13-03**

(52) **U.S. Cl.** **D13/133**

(58) **Field of Classification Search** D13/133,
D13/154, 184, 199, 146, 147, 153; 439/353,
439/357-358, 362, 372, 558, 606-610, 731
See application file for complete search history.

(56) **References Cited**

U.S. PATENT DOCUMENTS

D302,422 S * 7/1989 Justiano et al. D13/133
D318,853 S * 8/1991 Sugiyama et al. D13/154
D360,871 S * 8/1995 Wilson D13/133
D409,570 S * 5/1999 Wu D13/147
D416,539 S * 11/1999 Narumo et al. D13/147
D449,273 S * 10/2001 Lin D13/133

D510,724 S * 10/2005 Li et al. D13/147
D520,955 S * 5/2006 Huang D13/147
D524,737 S * 7/2006 Lai et al. D13/133
D525,942 S * 8/2006 Cheng et al. D13/147
D534,866 S * 1/2007 Zhu et al. D13/133
2007/0015415 A1* 1/2007 Yang 439/676

* cited by examiner

Primary Examiner—Daniel D Bui

Assistant Examiner—Thomas J Johannes

(74) *Attorney, Agent, or Firm*—Rosenberg, Klein & Lee

(57) **CLAIM**

The ornamental design for an interface connector, as shown and described following.

DESCRIPTION

FIG. 1 is a perspective view of an interface connector showing the new design;

FIG. 2 is a front elevational view thereof;

FIG. 3 is a rear elevational view thereof;

FIG. 4 is a left side elevational view thereof;

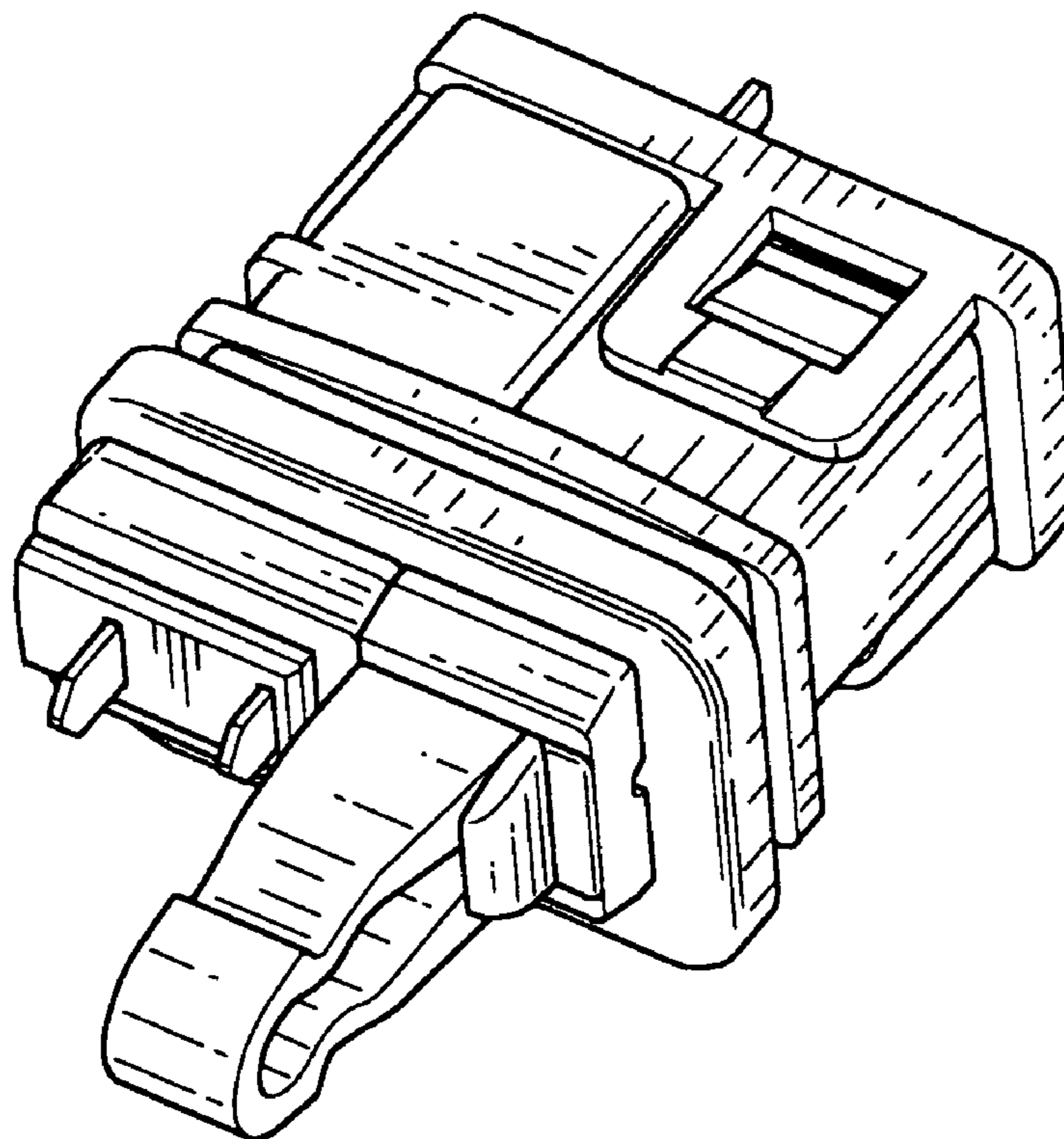
FIG. 5 is a right side elevational view thereof;

FIG. 6 is a top plan view thereof; and,

FIG. 7 is a bottom plan view thereof.

The broken line showing in the figure drawings is included for illustrative purposes only and forms no part of the claimed design.

1 Claim, 7 Drawing Sheets



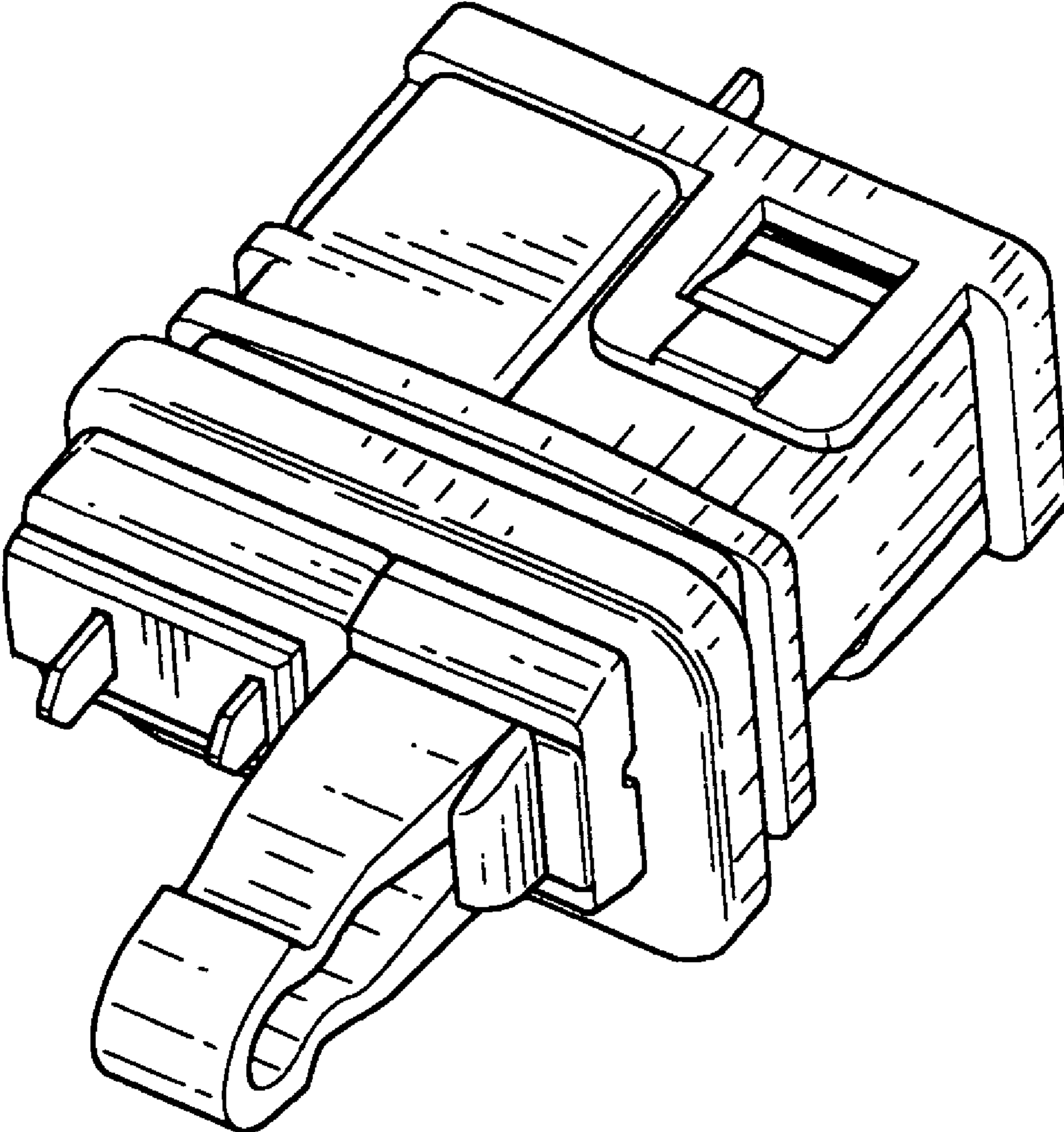


FIG. 1

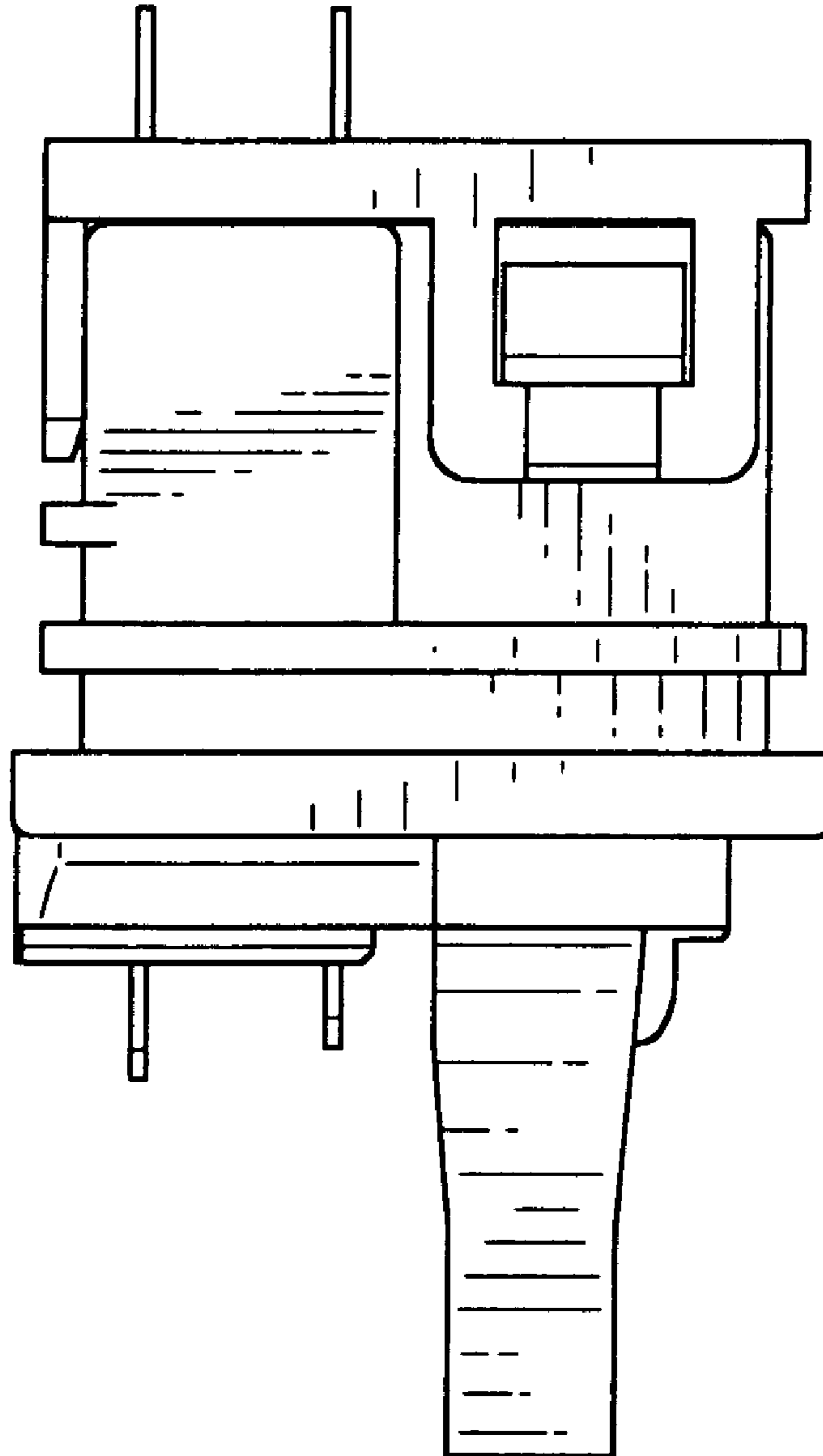


FIG. 2

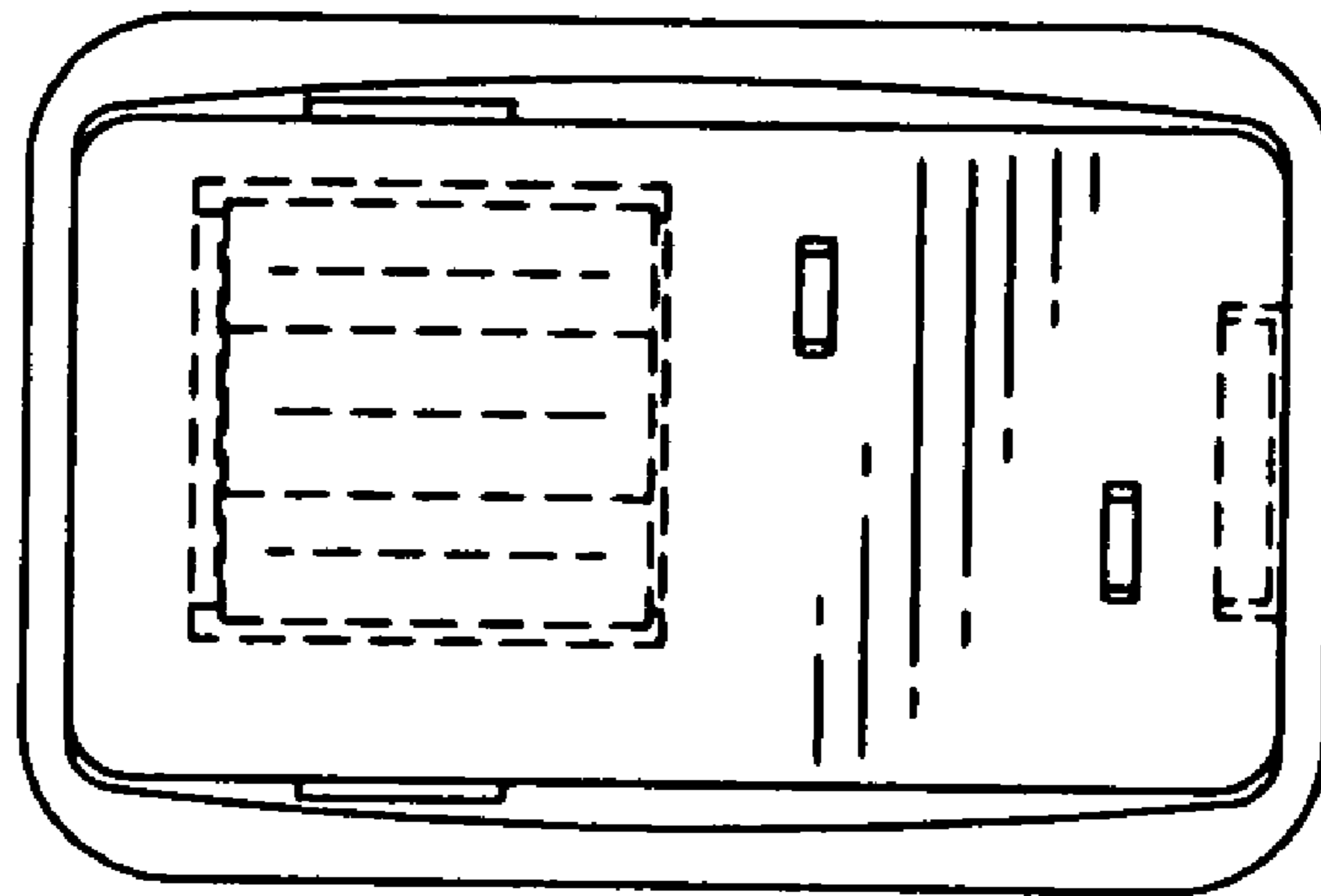


FIG. 3

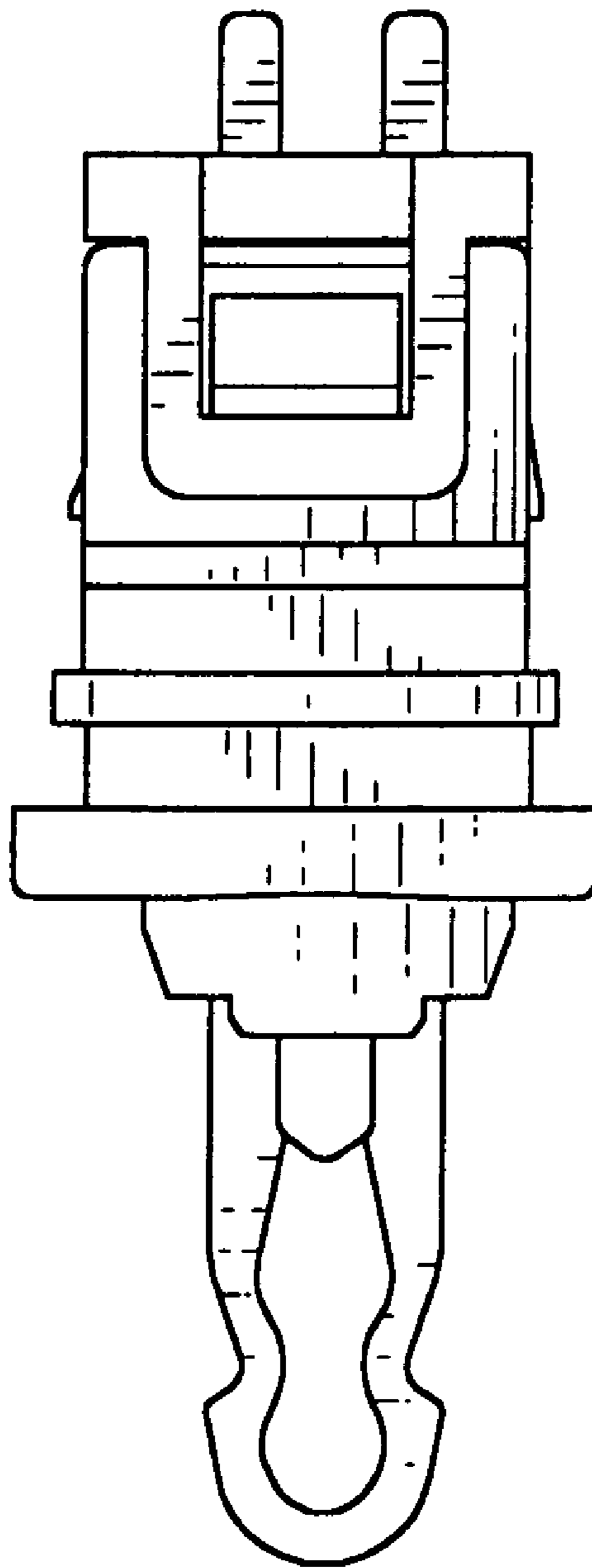


FIG. 4

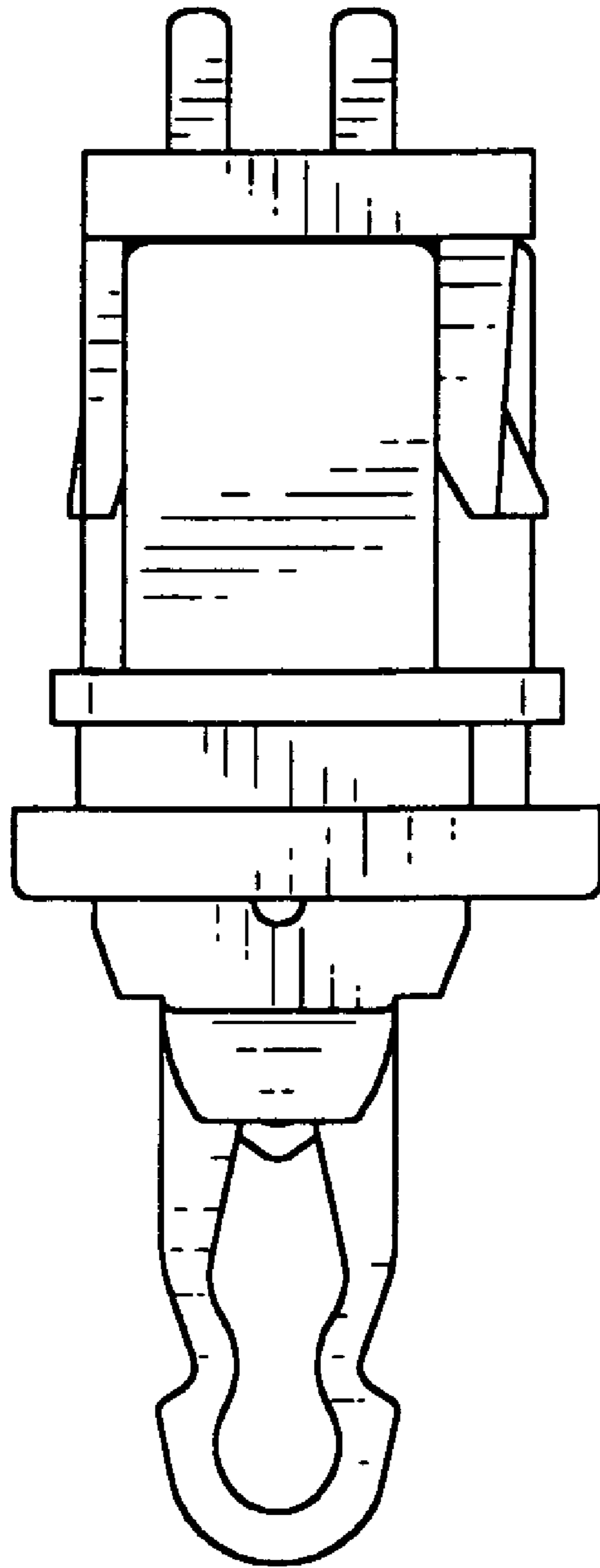


FIG. 5

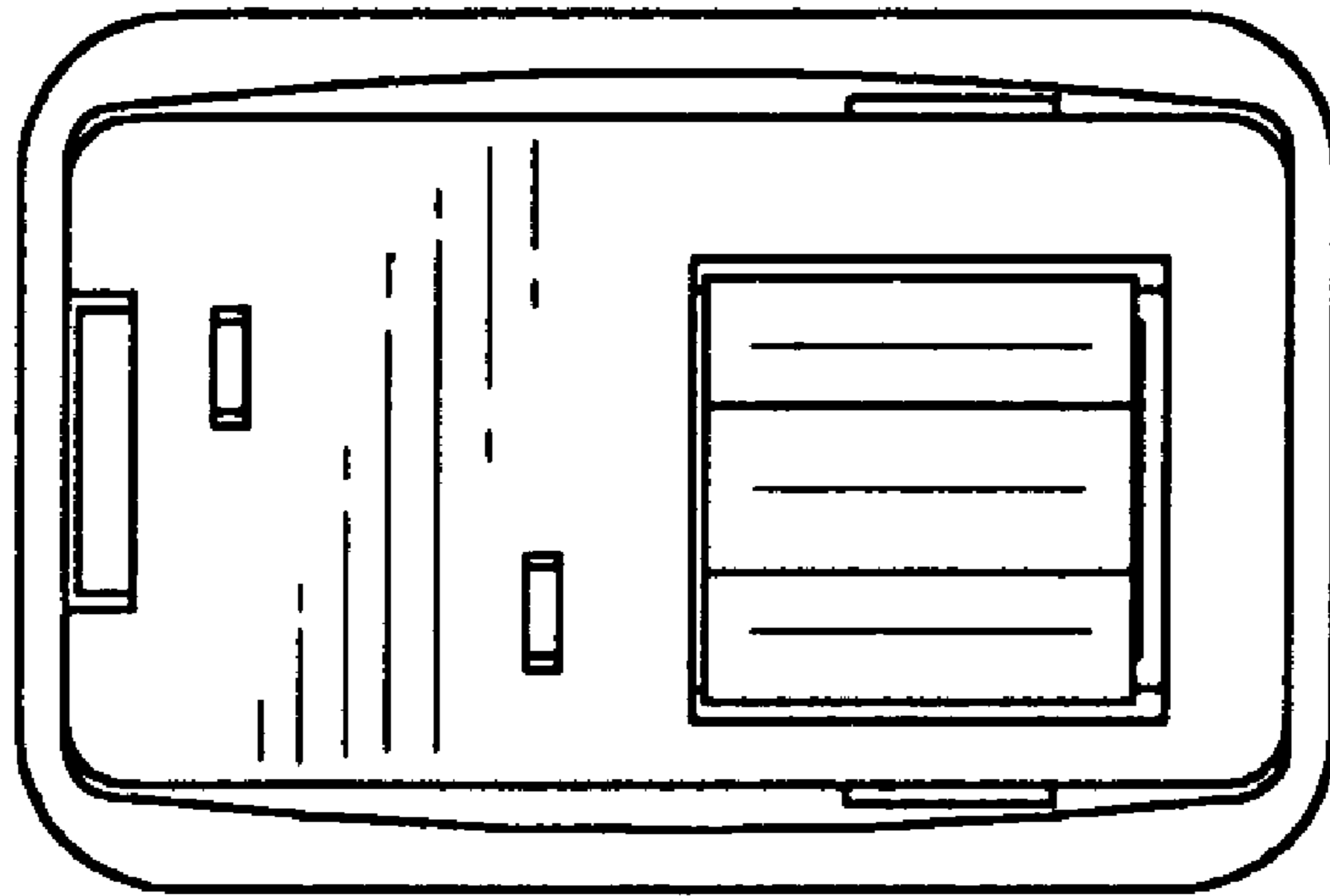


FIG. 6

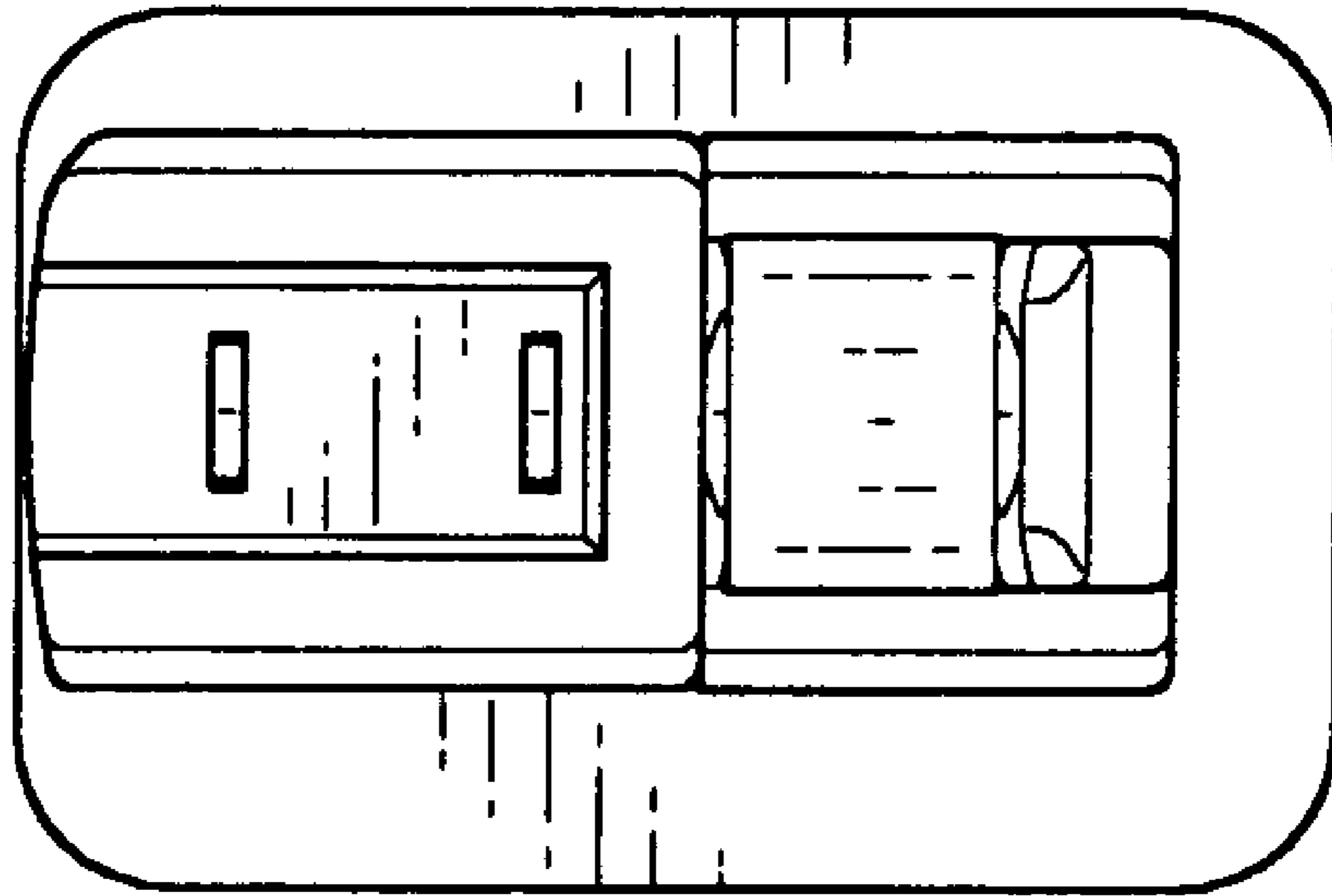


FIG. 7