



US00D571726S

(12) **United States Design Patent**  
**Garrett**

(10) **Patent No.:** **US D571,726 S**

(45) **Date of Patent:** **\*\* \*Jun. 24, 2008**

(54) **GROUND ELECTRODE FOR SPARK PLUG**  
(76) Inventor: **Norman Hesson Garrett**, 460 Windship Pl., Atlanta, GA (US) 30327  
(\* ) Notice: This patent is subject to a terminal disclaimer.  
(\*\*) Term: **14 Years**

(21) Appl. No.: **29/220,236**  
(22) Filed: **Dec. 28, 2004**

(51) **LOC (8) Cl.** ..... **13-03**  
(52) **U.S. Cl.** ..... **D13/127**  
(58) **Field of Classification Search** ..... D13/123, D13/127, 154, 184, 199; 123/27 R, 143 A, 123/143 B, 169 R; 174/152 S; 313/118, 122-123, 313/128, 141-144  
See application file for complete search history.

(56) **References Cited**  
U.S. PATENT DOCUMENTS

5,189,333 A \* 2/1993 Kagawa et al. .... 313/140

5,264,754 A \* 11/1993 Hanitijo et al. .... 313/139  
5,369,328 A \* 11/1994 Gruber et al. .... 313/141  
5,408,961 A \* 4/1995 Smith ..... 123/169 R  
6,080,029 A \* 6/2000 Johnson et al. .... 445/7  
D427,972 S \* 7/2000 Parker ..... D13/127  
6,495,948 B1 \* 12/2002 Garrett, III ..... 313/141  
2005/0040749 A1 \* 2/2005 Lindsay ..... 313/143

\* cited by examiner

*Primary Examiner*—Daniel Bui

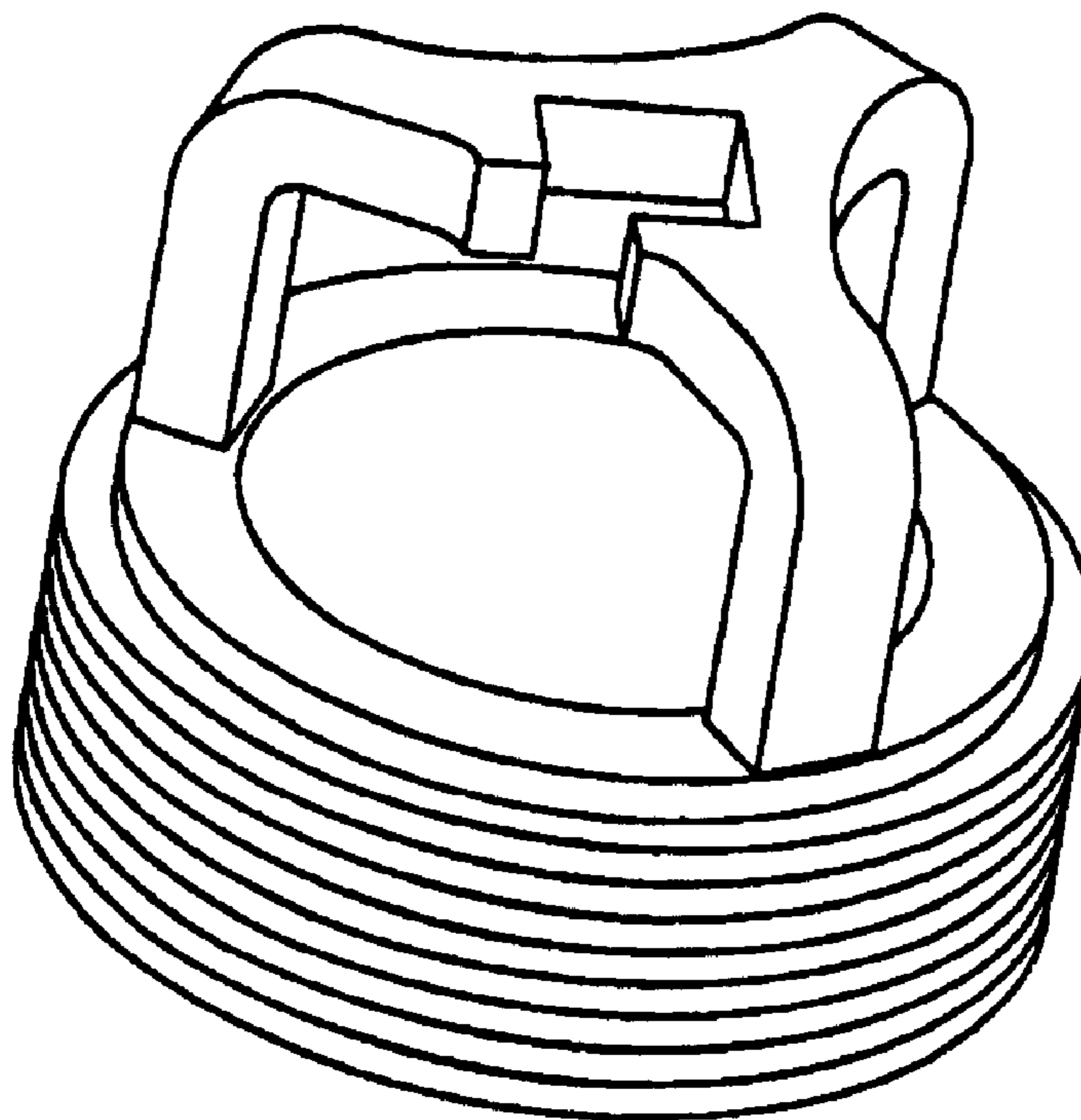
(57) **CLAIM**

The ornamental design for a ground electrode for a spark plug, as shown and described.

**DESCRIPTION**

FIG. 1 is a top perspective view of a ground electrode for spark plug, showing my new design;  
FIG. 2 is a side elevation view thereof;  
FIG. 3 is a top plan view thereof; and,  
FIG. 4 is another top perspective view thereof.  
The broken line showing of the environment is for illustrative purposes only and forms no part of the claimed design.

**1 Claim, 1 Drawing Sheet**



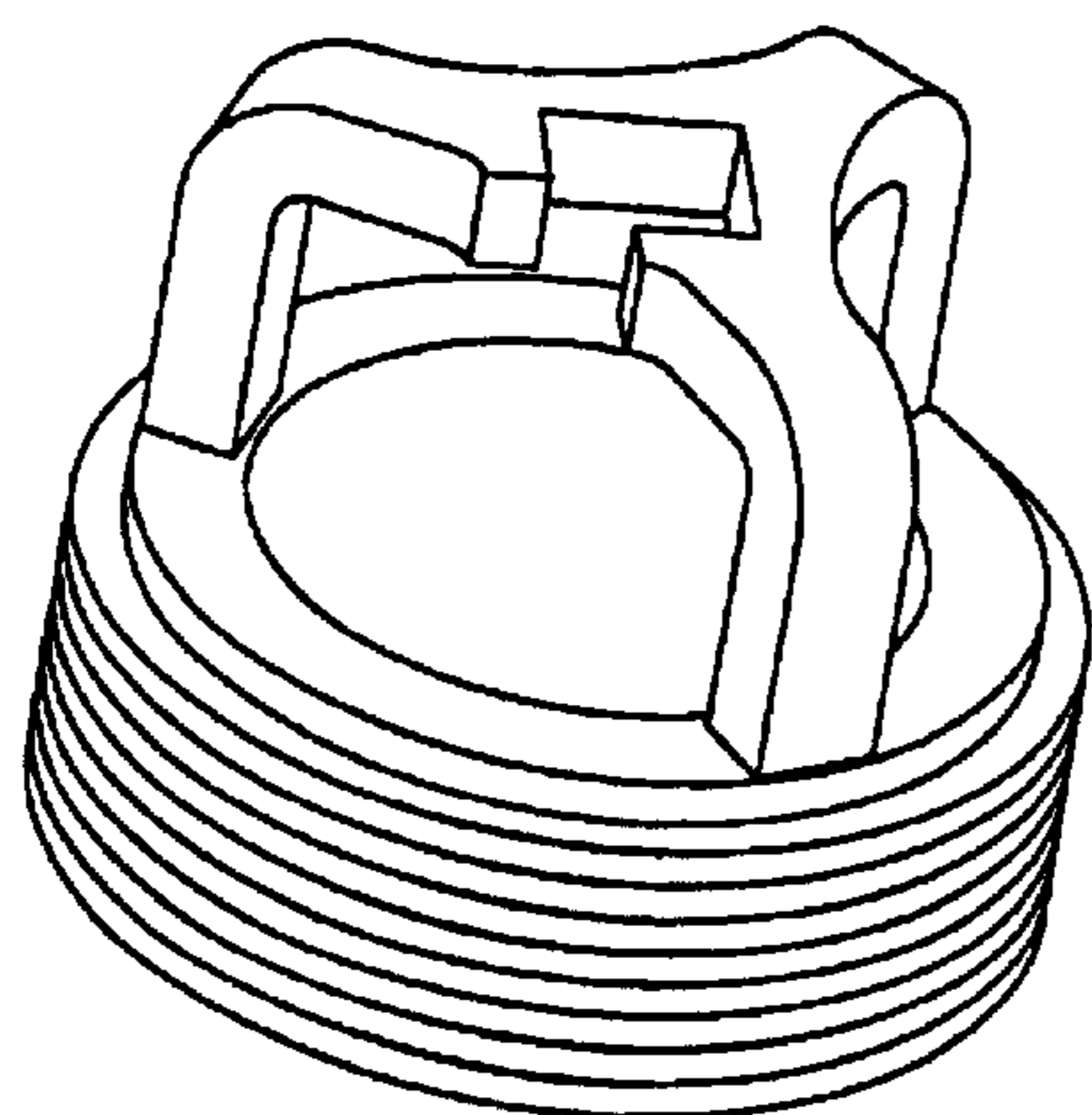


FIG. 1

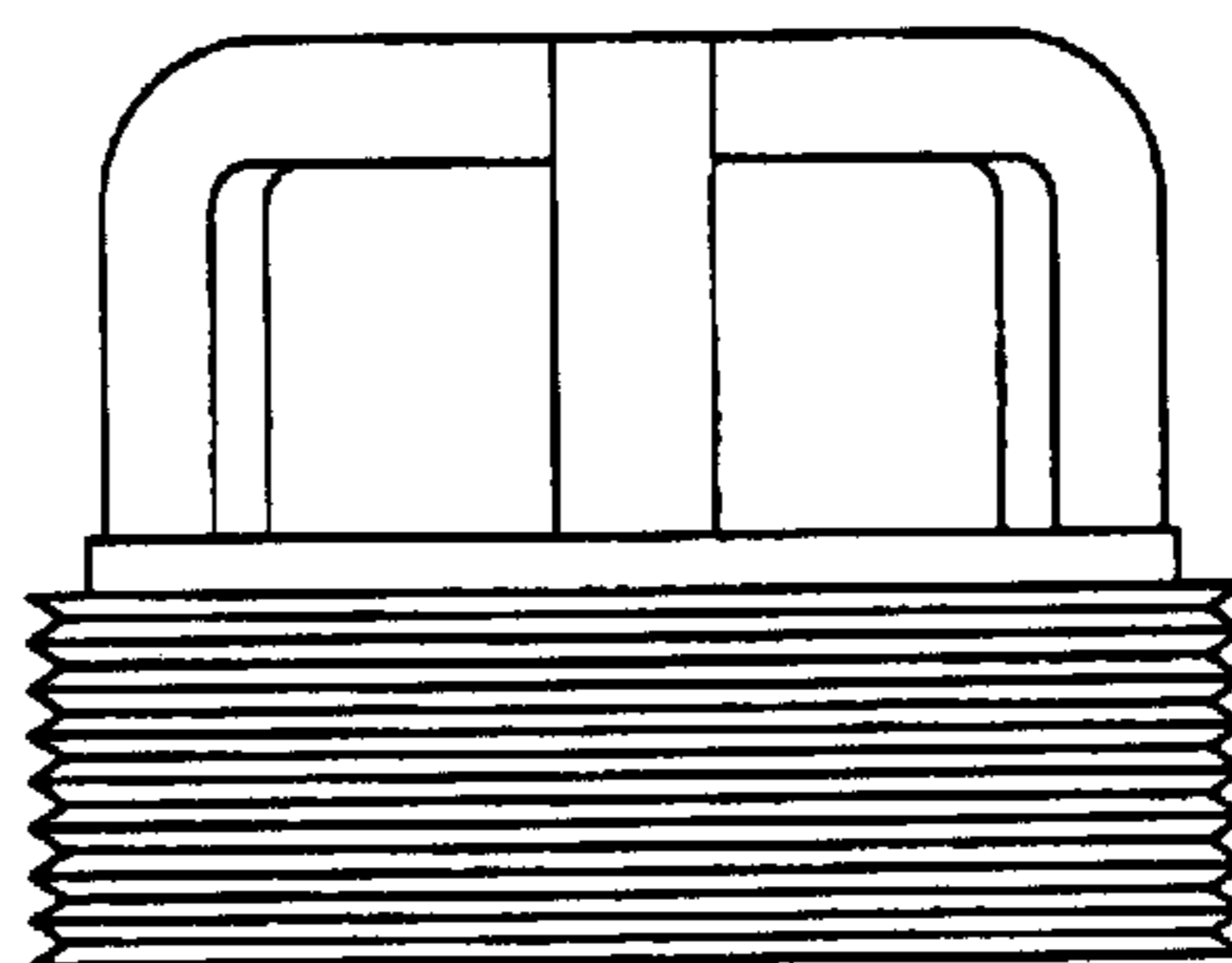


FIG. 2

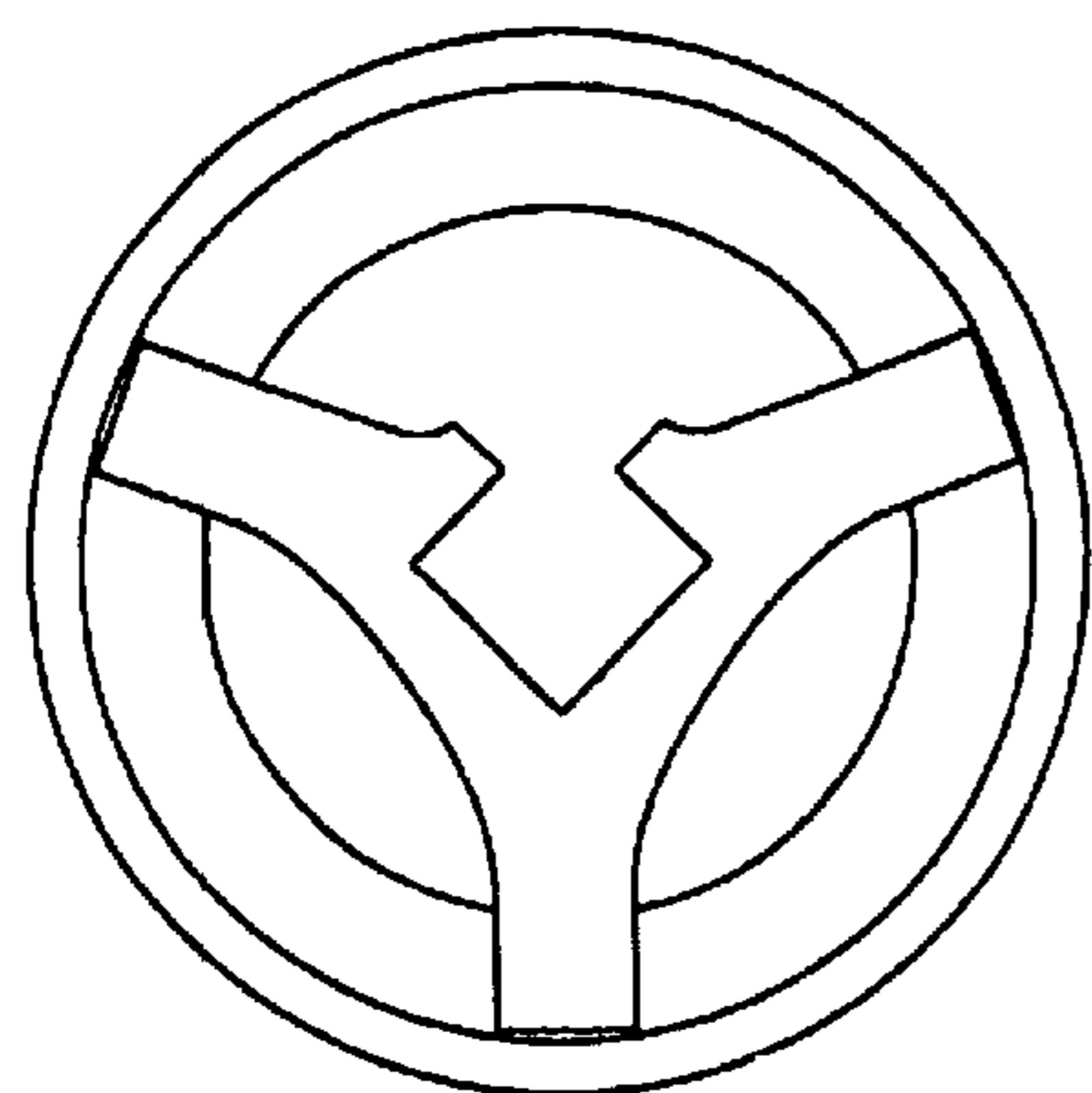


FIG. 3

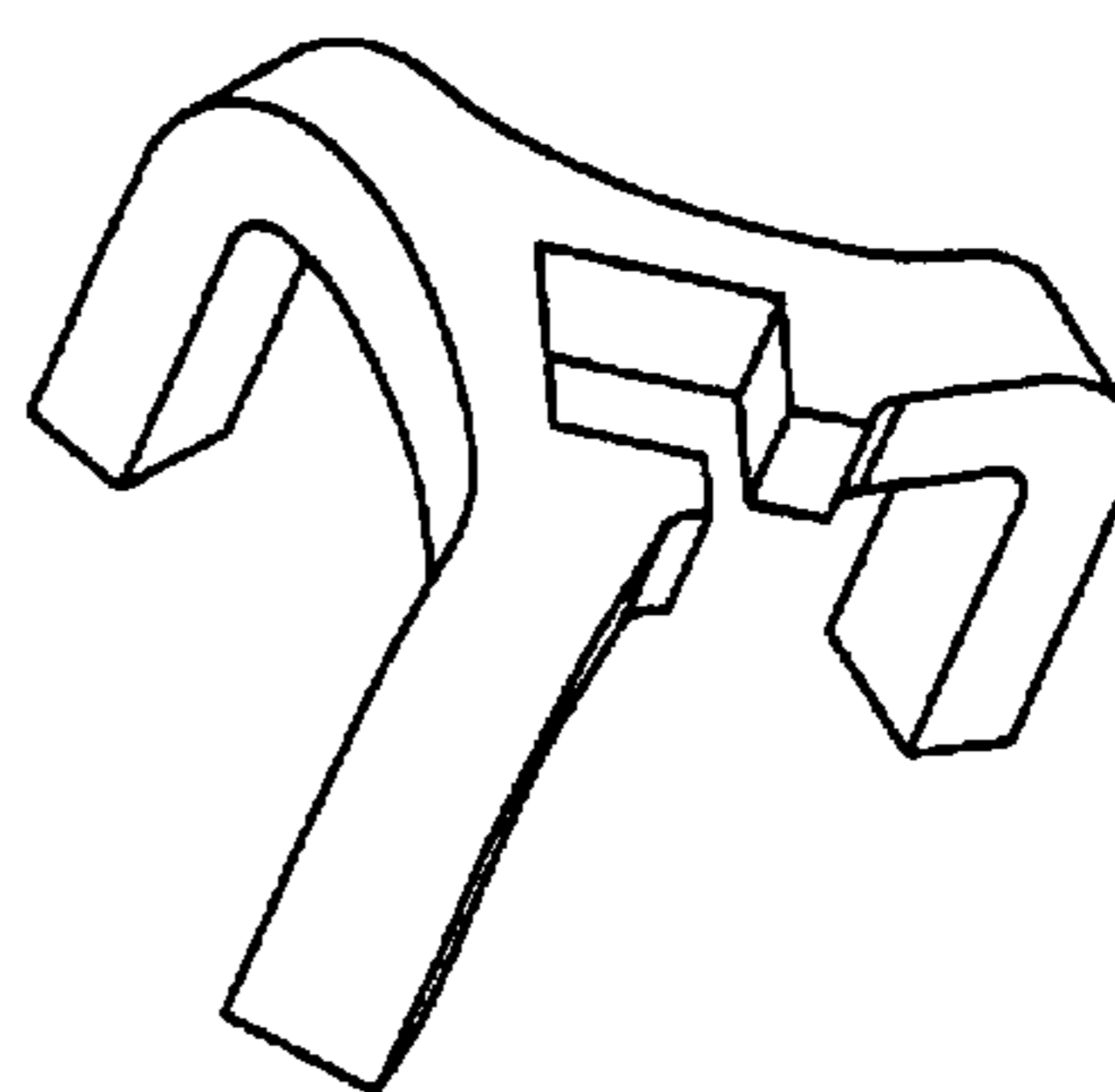


FIG. 4