

US00D571725S

(12) **United States Design Patent**  
**Hung et al.**

(10) **Patent No.:** **US D571,725 S**  
(45) **Date of Patent:** **\*\* Jun. 24, 2008**

(54) **BATTERY CONNECTOR**

(75) Inventors: **Pei-Chiao Hung**, Tu-Cheng (TW); **Mei Chuan Yang**, Tu-Cheng (TW); **Chung Hsin Huang**, Tu-Cheng (TW)

(73) Assignee: **Cheng Uei Precision Industry Co., Ltd.**, Taipei Hsien (TW)

(\*\*) Term: **14 Years**

(21) Appl. No.: **29/287,984**

(22) Filed: **Oct. 9, 2007**

(51) **LOC (8) Cl.** ..... **13-03**

(52) **U.S. Cl.** ..... **D13/120**

(58) **Field of Classification Search** ..... D13/118–121,  
D13/133, 146–147, 184, 199; 439/83, 108,  
439/166, 500, 577, 630, 660, 680, 700, 773.1,  
439/862

See application file for complete search history.

(56) **References Cited**

**U.S. PATENT DOCUMENTS**

5,535,513	A *	7/1996	Frantz	.....	29/882
5,902,155	A *	5/1999	Polgar et al.	.....	439/680
D410,434	S *	6/1999	Wu	.....	D13/147
D419,522	S *	1/2000	Kamagai	.....	D13/120
D427,975	S *	7/2000	Zhu et al.	.....	D13/147
6,361,359	B1 *	3/2002	Du et al.	.....	439/500

D473,192	S *	4/2003	Ouchi et al.	.....	D13/147
6,551,143	B2 *	4/2003	Tanaka et al.	.....	439/682
D522,968	S *	6/2006	Hu et al.	.....	D13/147
2002/0049000	A1 *	4/2002	Tanaka et al.	.....	439/660

\* cited by examiner

*Primary Examiner*—Cathron Brooks

*Assistant Examiner*—Rosemary K Tarcza

(74) *Attorney, Agent, or Firm*—Rosenberg, Klein & Lee

(57) **CLAIM**

The ornamental design for a battery connector, as shown and described.

**DESCRIPTION**

FIG. 1 is a perspective view of a battery connector showing our new design;

FIG. 2 is a front elevational view thereof;

FIG. 3 is a rear elevational view thereof;

FIG. 4 is a left side elevational view thereof;

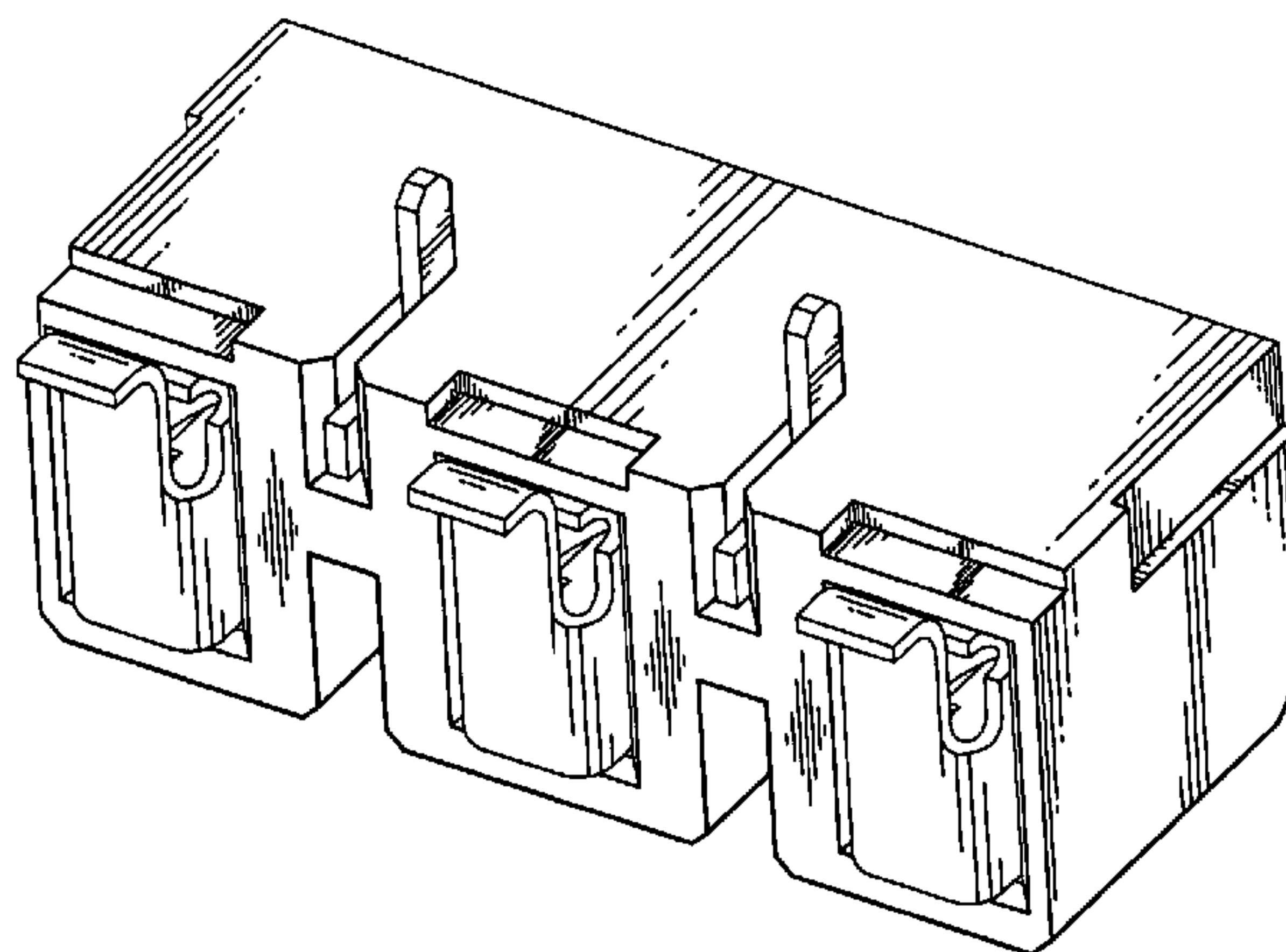
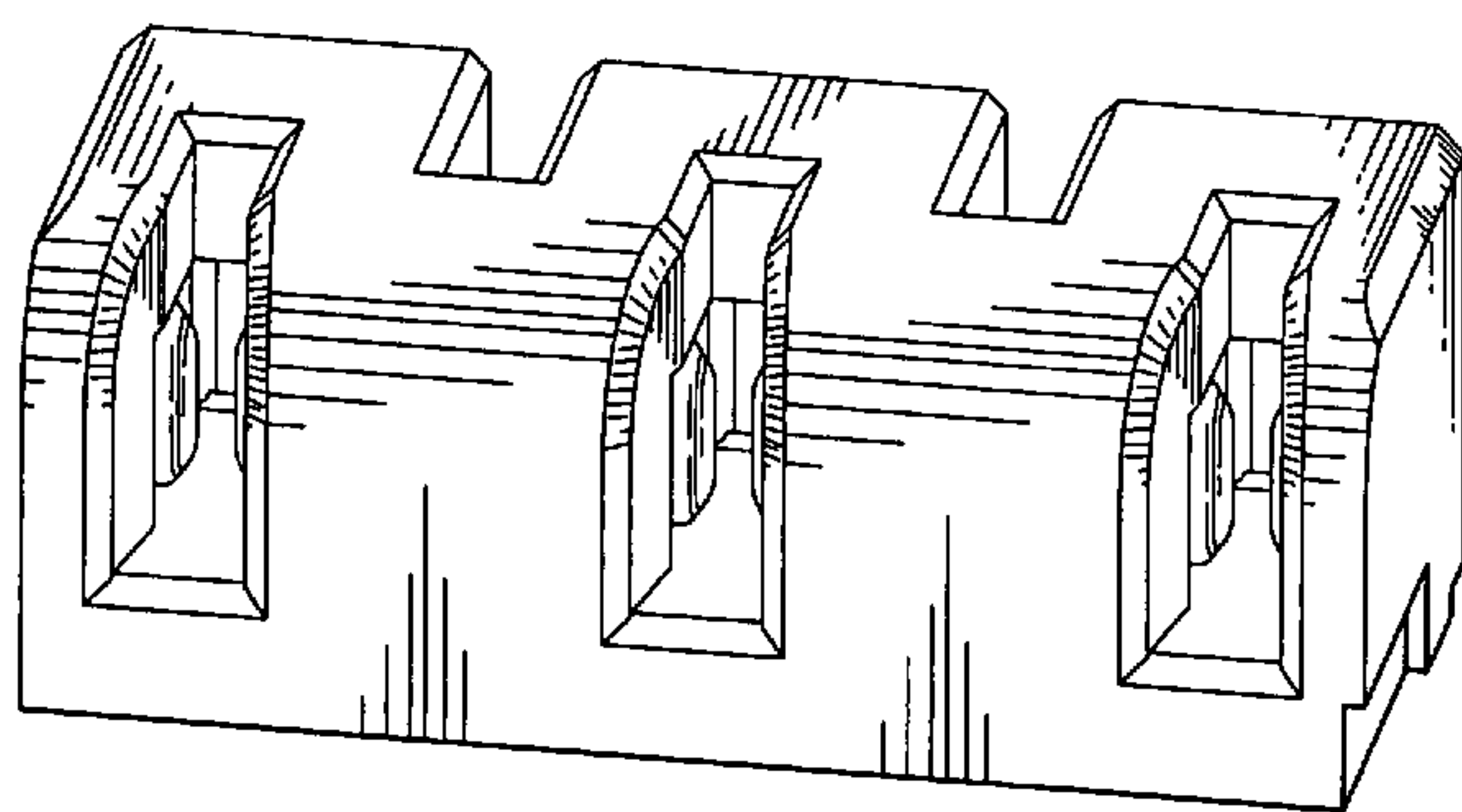
FIG. 5 is a right side elevational view thereof;

FIG. 6 is a top plan view thereof; and

FIG. 7 is a bottom plan view thereof; and,

FIG. 8 is another perspective view of the battery connector showing our new design.

**1 Claim, 8 Drawing Sheets**



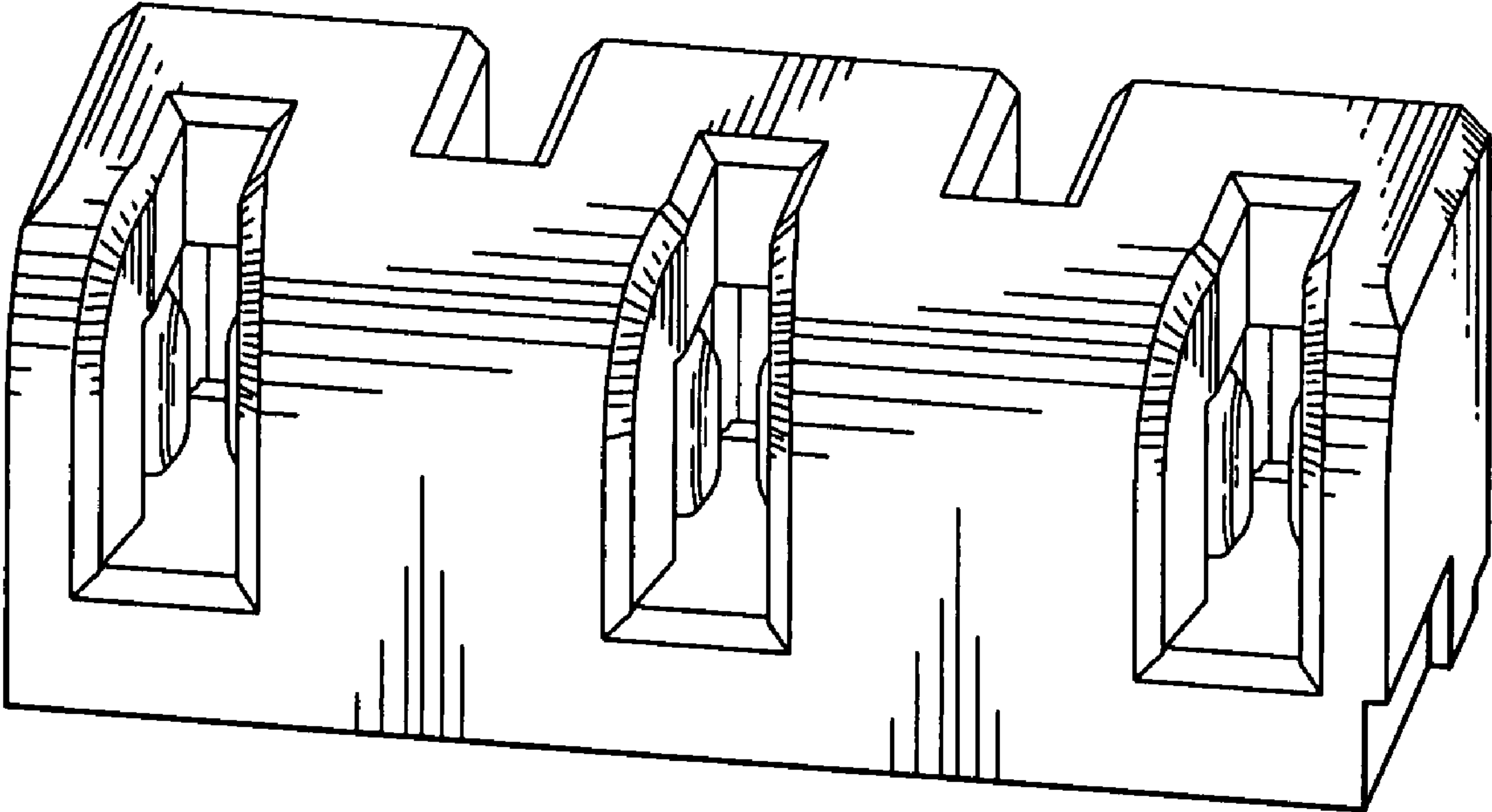


FIG. 1

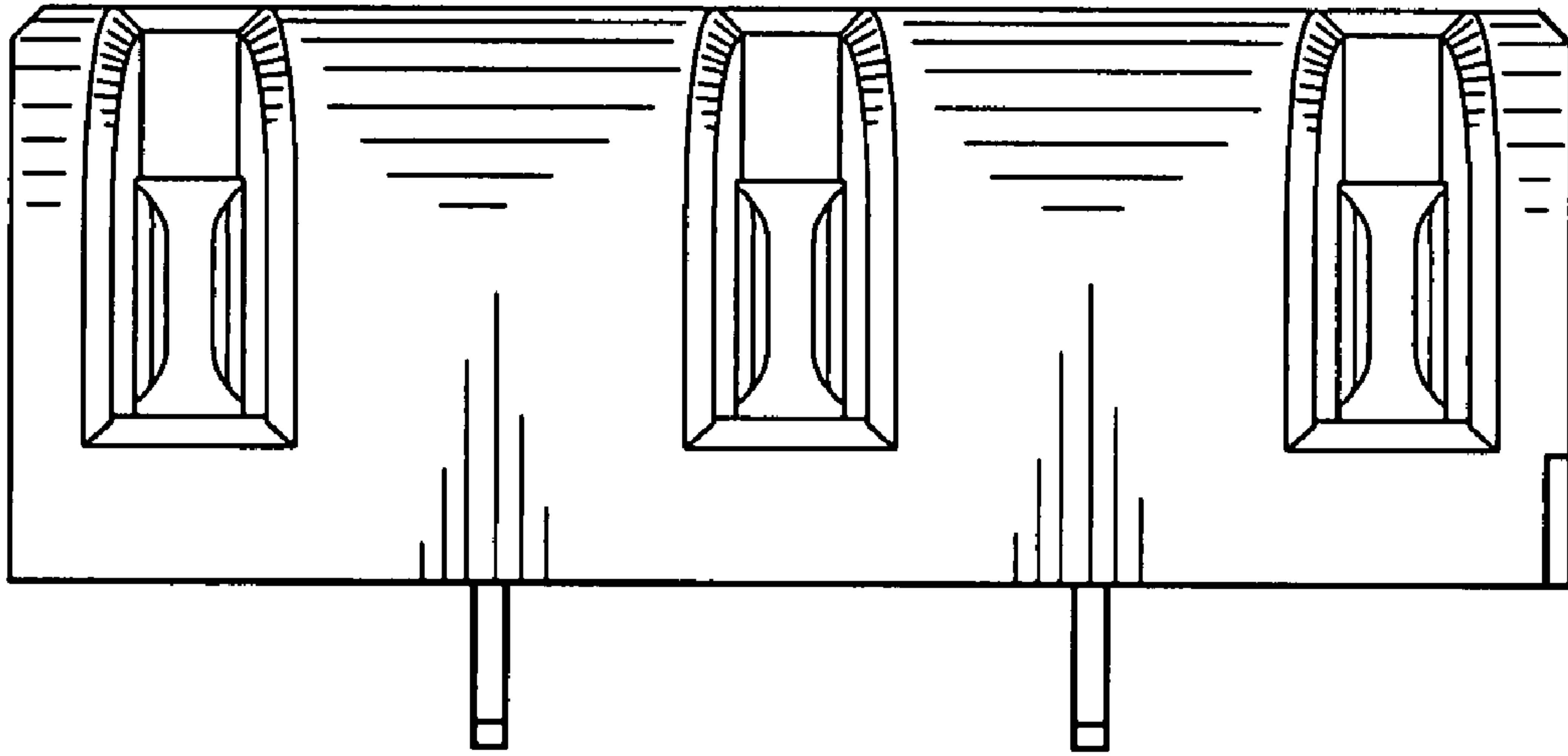


FIG. 2

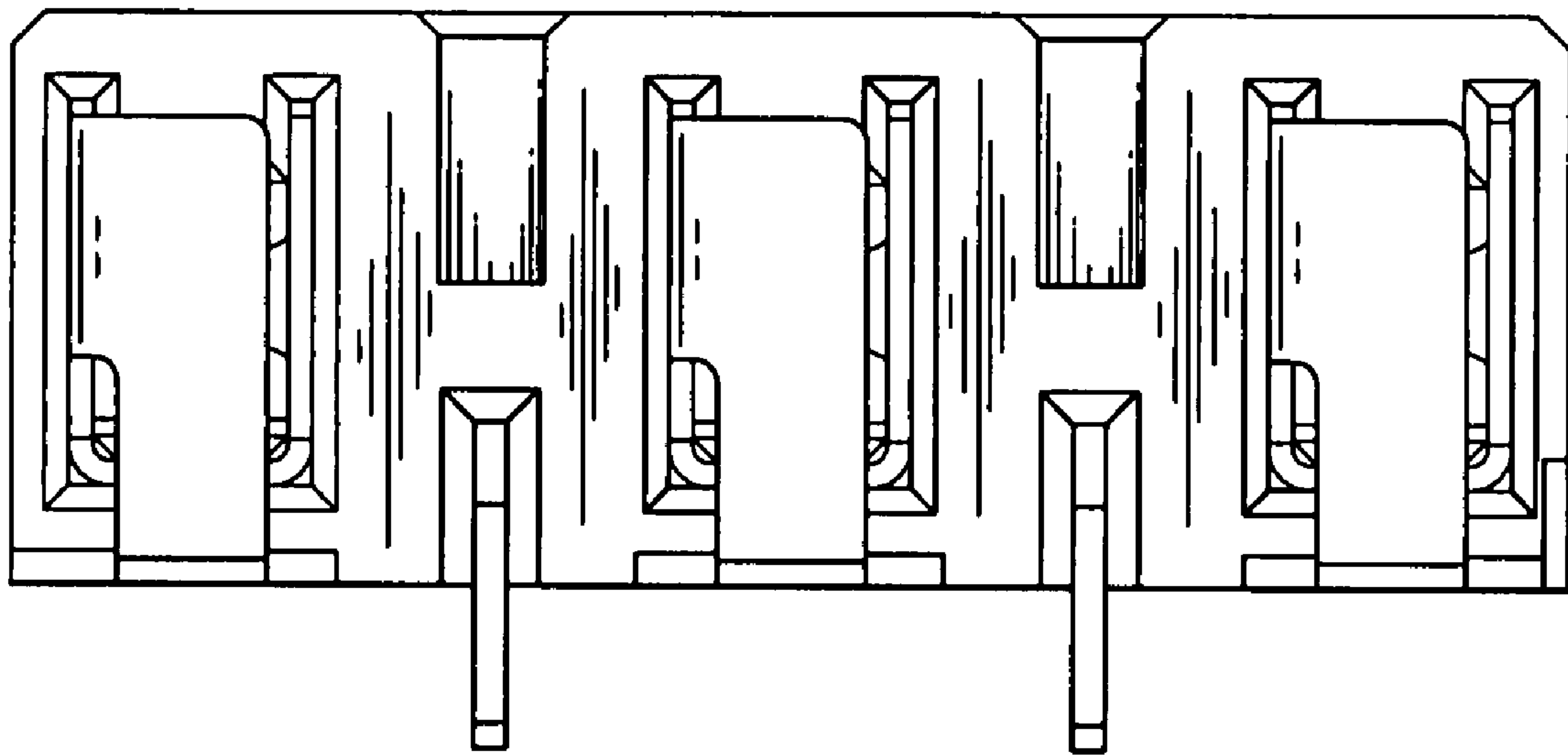


FIG. 3

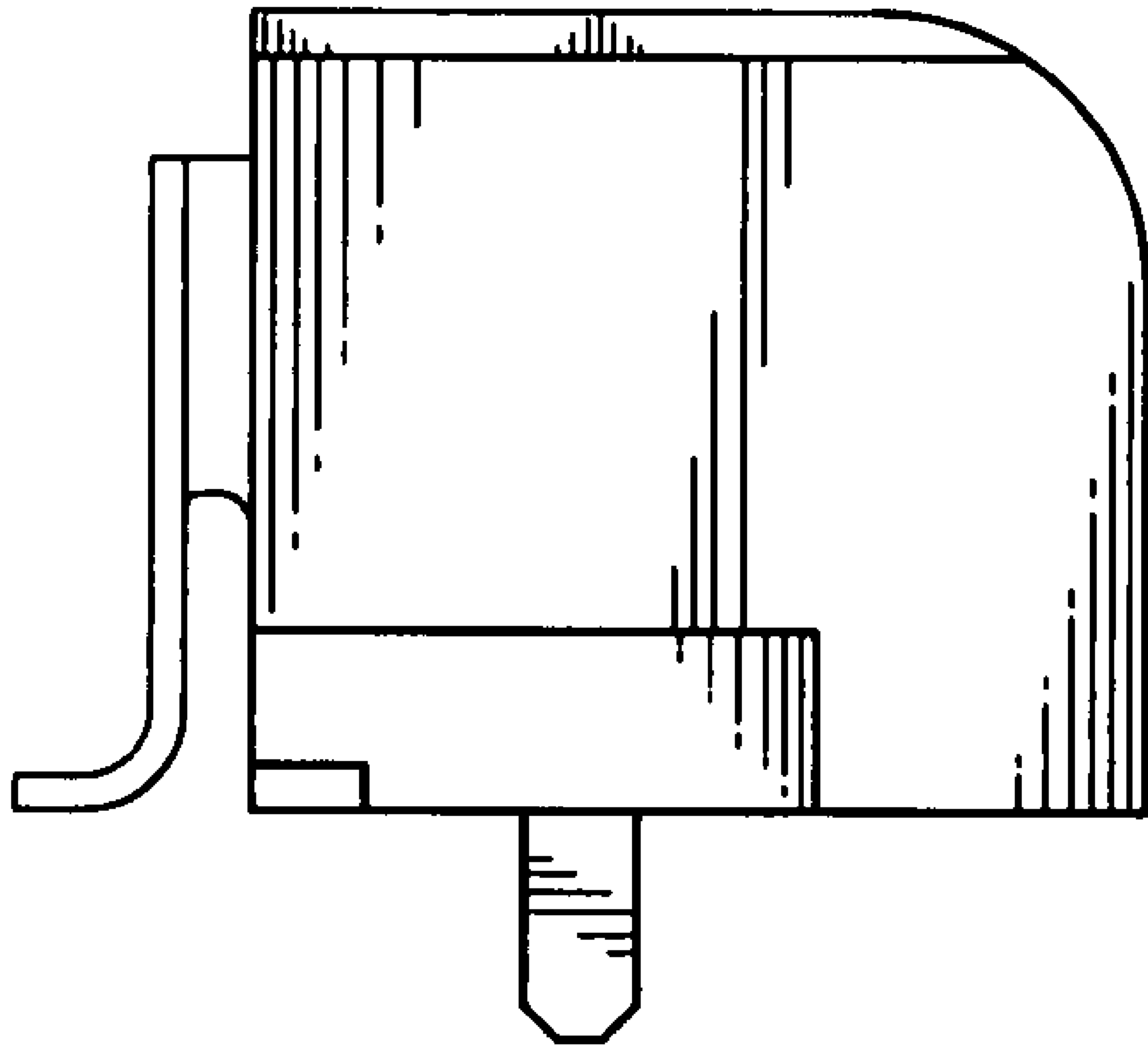


FIG. 4

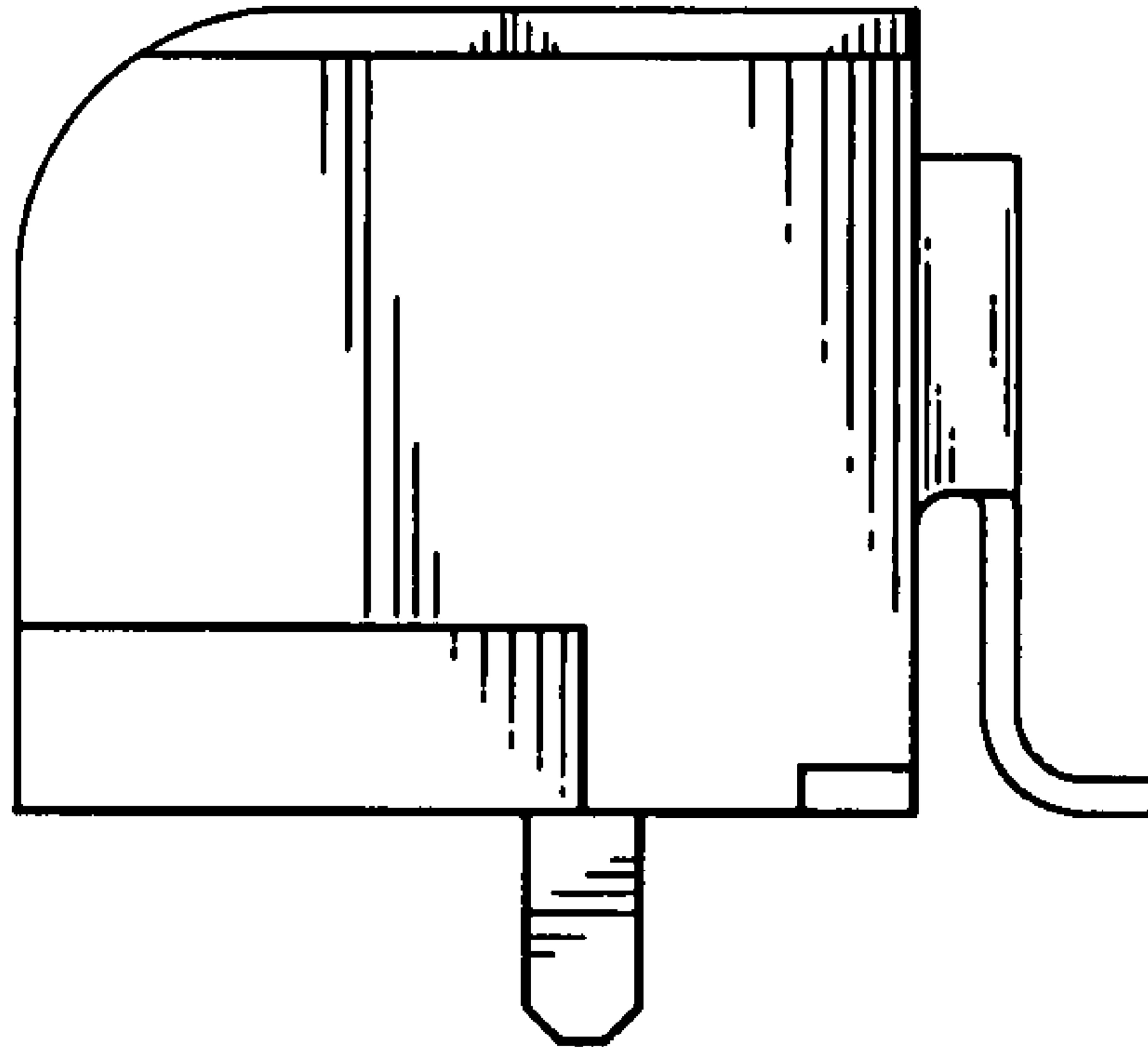


FIG. 5

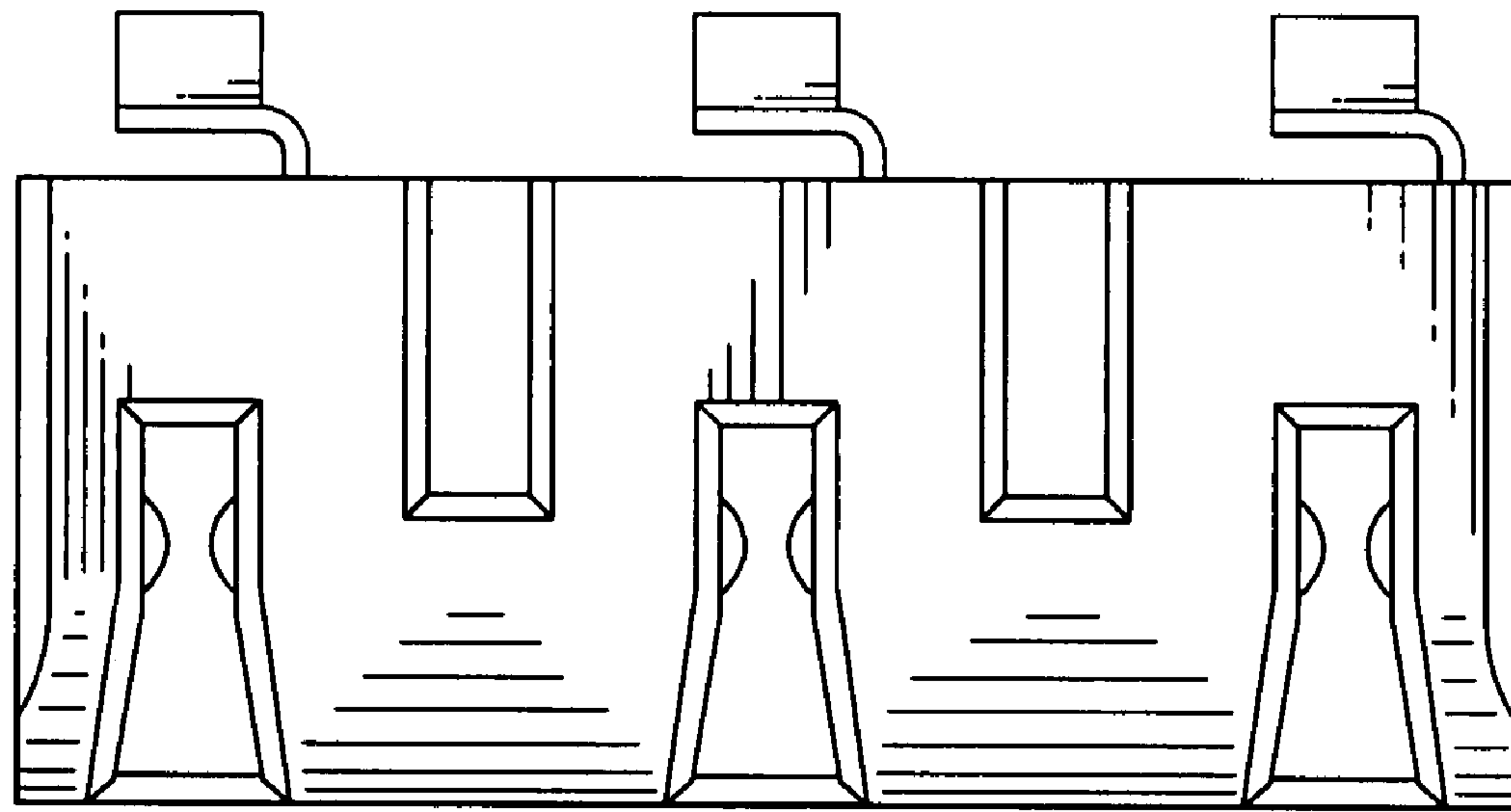


FIG. 6

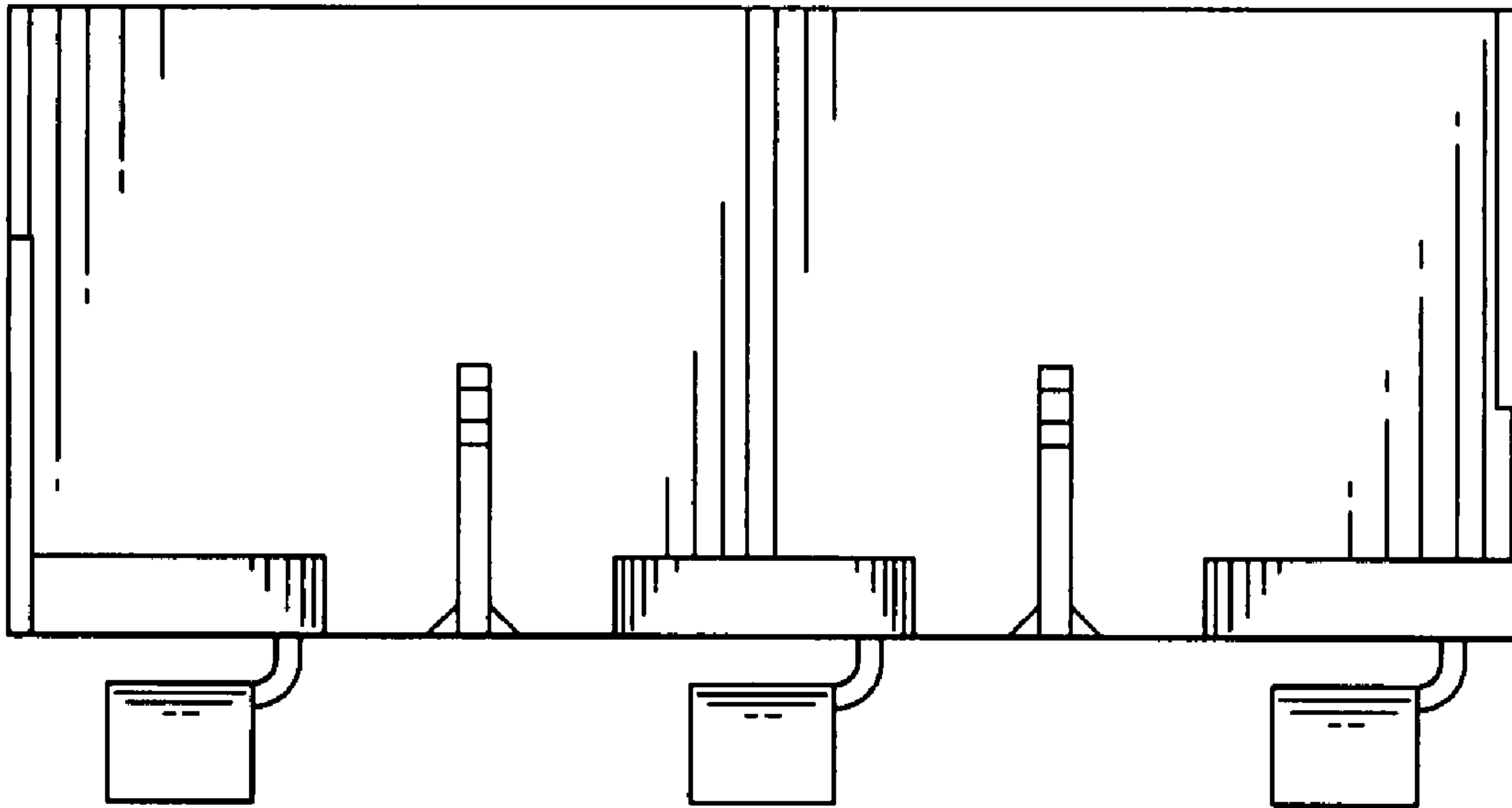


FIG. 7



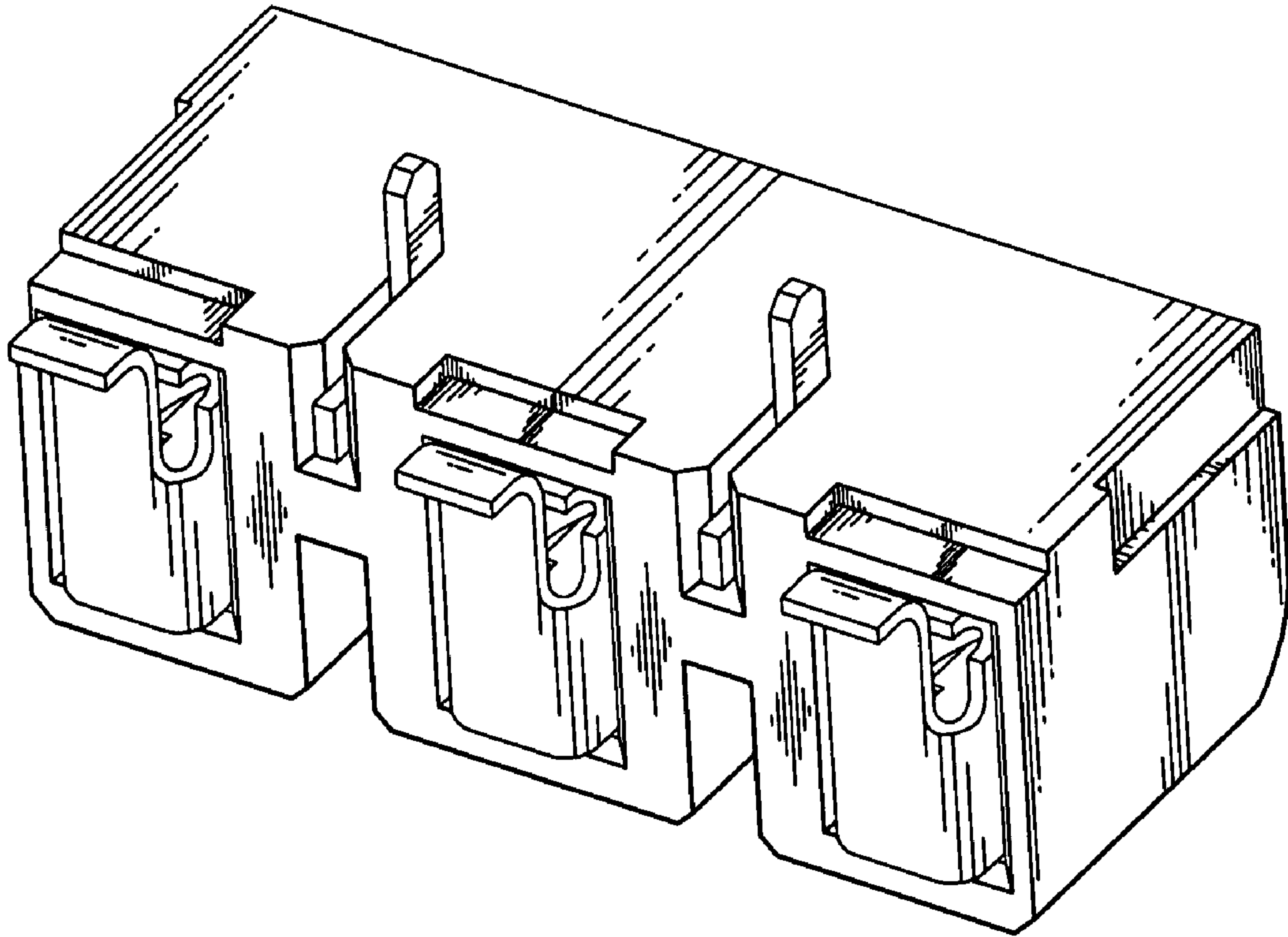


FIG. 8