



US00D571723S

(12) **United States Design Patent**
Chen et al.

(10) **Patent No.:** **US D571,723 S**
(45) **Date of Patent:** **** Jun. 24, 2008**

(54) **BATTERY CONNECTOR**

(75) Inventors: **Ming Chiang Chen**, Tu-Cheng (TW);
Ping Chih Chen, Tu-Cheng (TW); **Guo Xun Huang**, Tu-Cheng (TW)

(73) Assignee: **Cheng Uei Precision Industry Co., Ltd.**, Taipei Hsien (TW)

(**) Term: **14 Years**

(21) Appl. No.: **29/287,818**

(22) Filed: **Sep. 24, 2007**

(51) **LOC (8) Cl.** **13-03**

(52) **U.S. Cl.** **D13/120**

(58) **Field of Classification Search** D13/118–121,
D13/133, 146–147, 184, 199; 439/83, 108,
439/166, 500, 577, 630, 660, 680, 700, 773.1,
439/862

See application file for complete search history.

(56) **References Cited**

U.S. PATENT DOCUMENTS

D455,126 S * 4/2002 Wu D13/147
D486,448 S * 2/2004 Watanabe et al. D13/120
6,951,488 B2 * 10/2005 Hsieh 439/660
D524,746 S * 7/2006 Lai D13/147

D538,228 S * 3/2007 Wang et al. D13/146
D559,181 S * 1/2008 Yan D13/120
D561,100 S * 2/2008 Hsu et al. D13/120
D562,241 S * 2/2008 Hsu et al. D13/146
D562,251 S * 2/2008 Ma et al. D13/147

* cited by examiner

Primary Examiner—Cathron Brooks

Assistant Examiner—Rosemary K Tarcza

(74) *Attorney, Agent, or Firm*—Rosenberg, Klein & Lee

(57) **CLAIM**

The ornamental design for a battery connector, as shown and described.

DESCRIPTION

FIG. 1 is a perspective view of a battery connector showing our new design;

FIG. 2 is a front elevational view thereof;

FIG. 3 is a rear elevational view thereof;

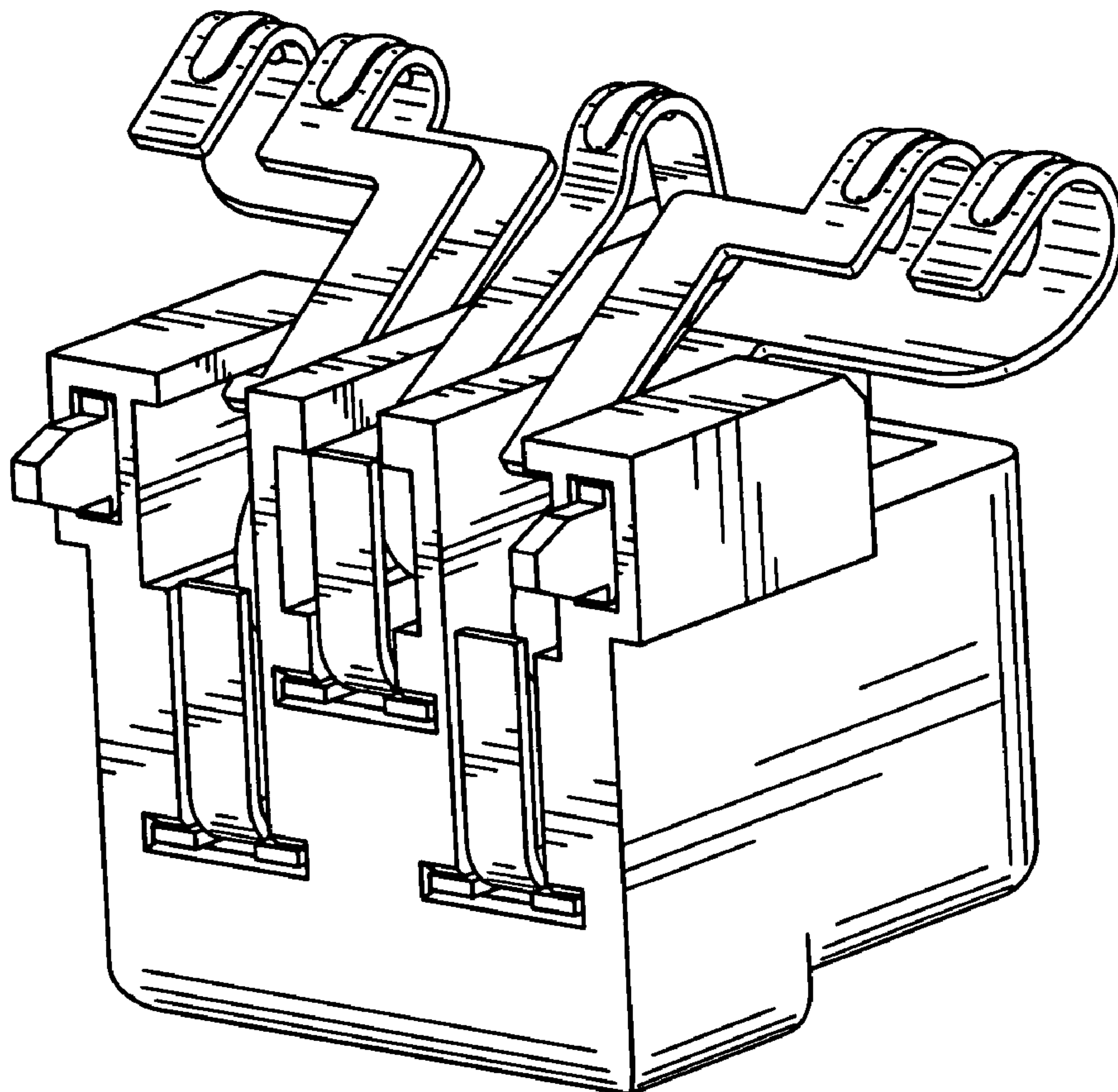
FIG. 4 is a left side elevational view thereof;

FIG. 5 is a right side elevational view thereof;

FIG. 6 is a top plan view thereof; and,

FIG. 7 is a bottom plan view thereof.

1 Claim, 7 Drawing Sheets



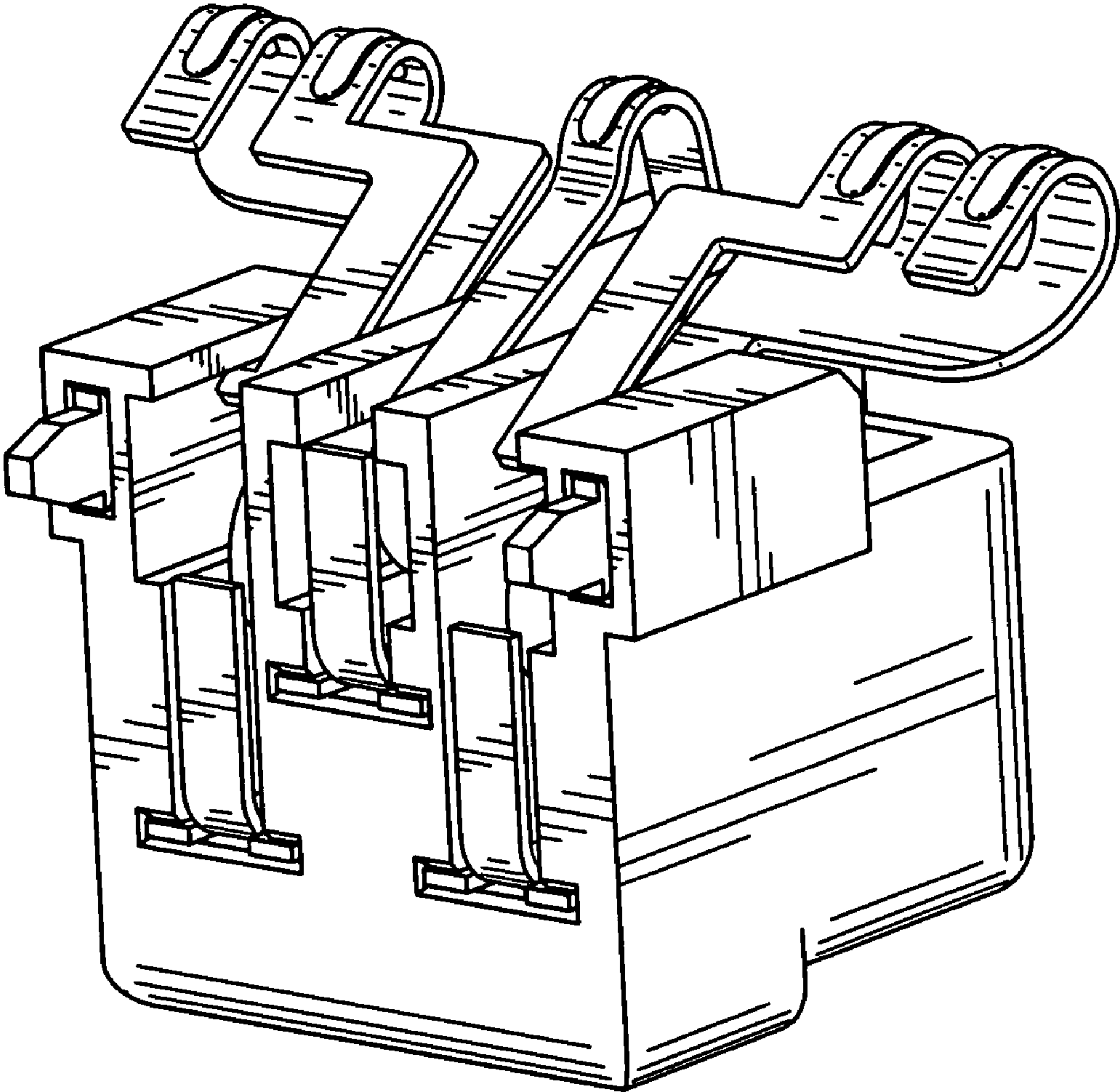


FIG. 1

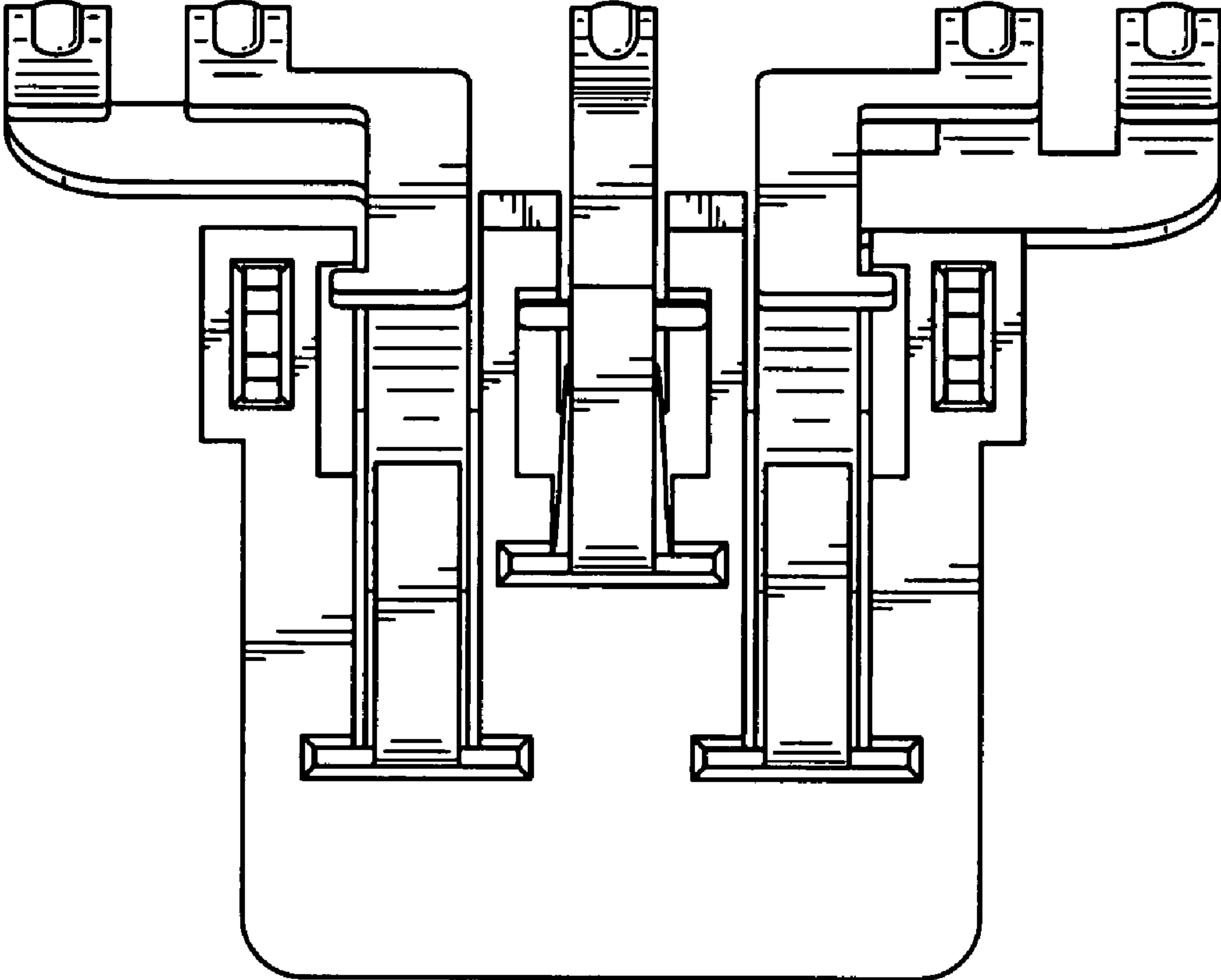


FIG. 2

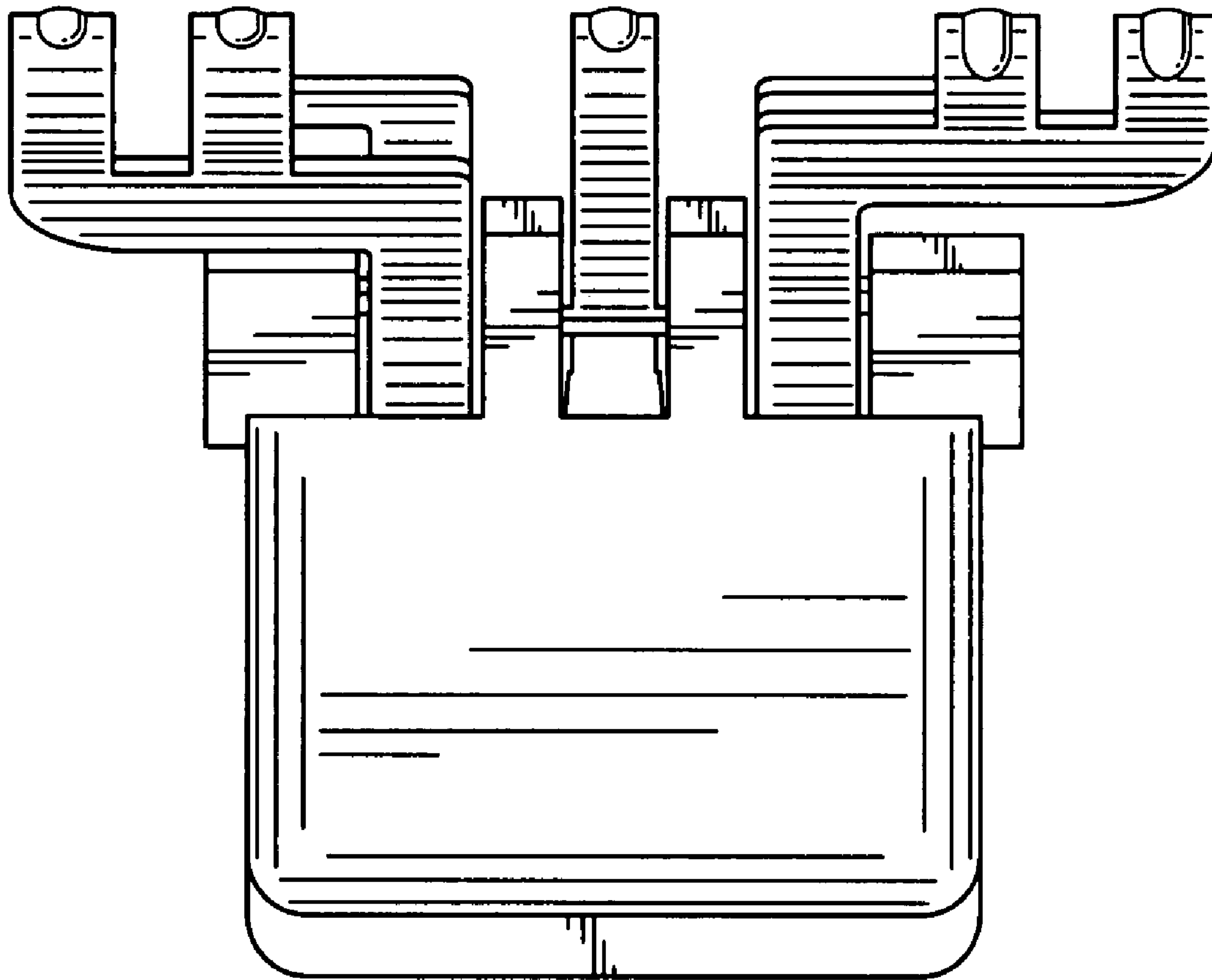


FIG. 3

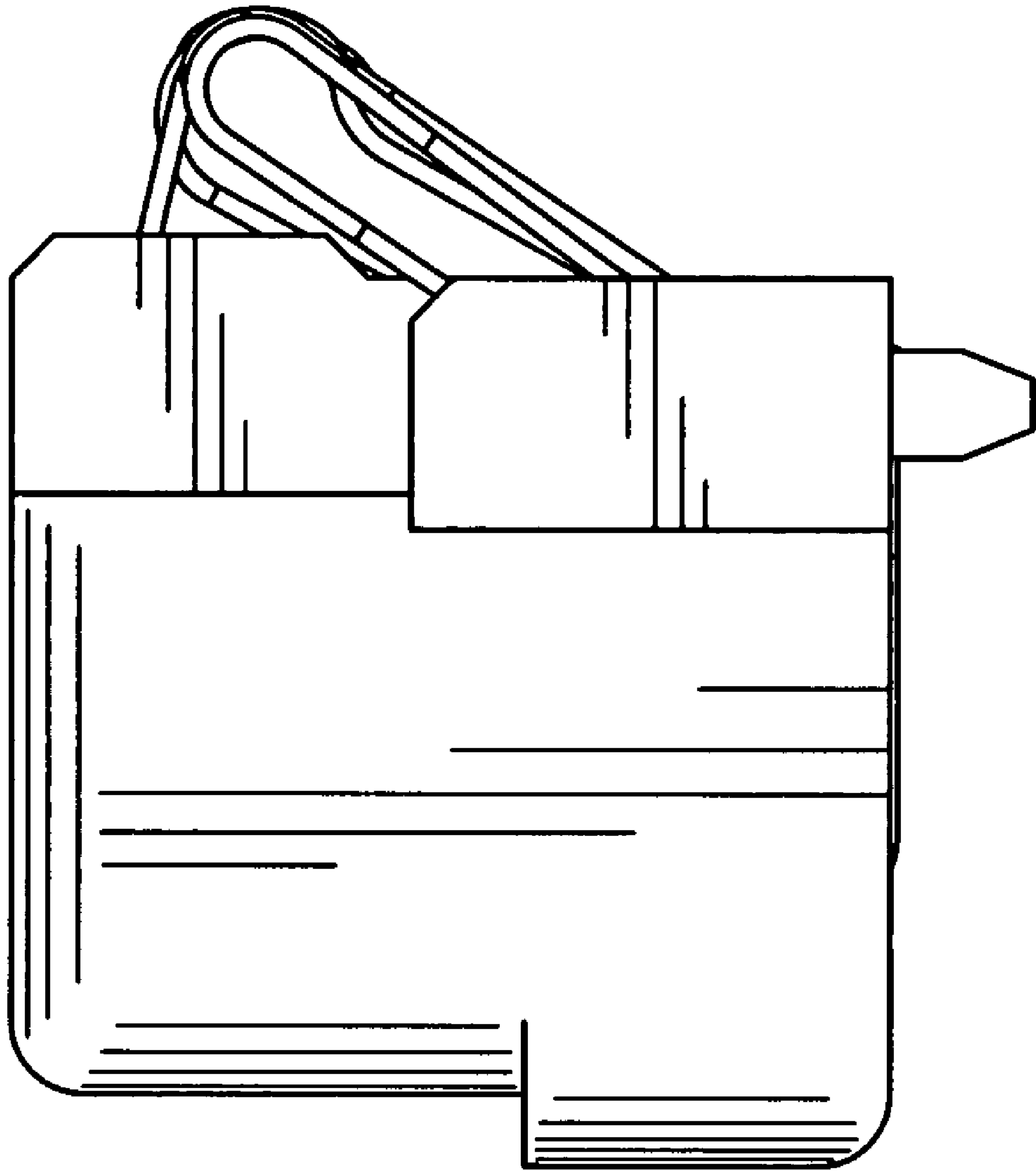


FIG. 4

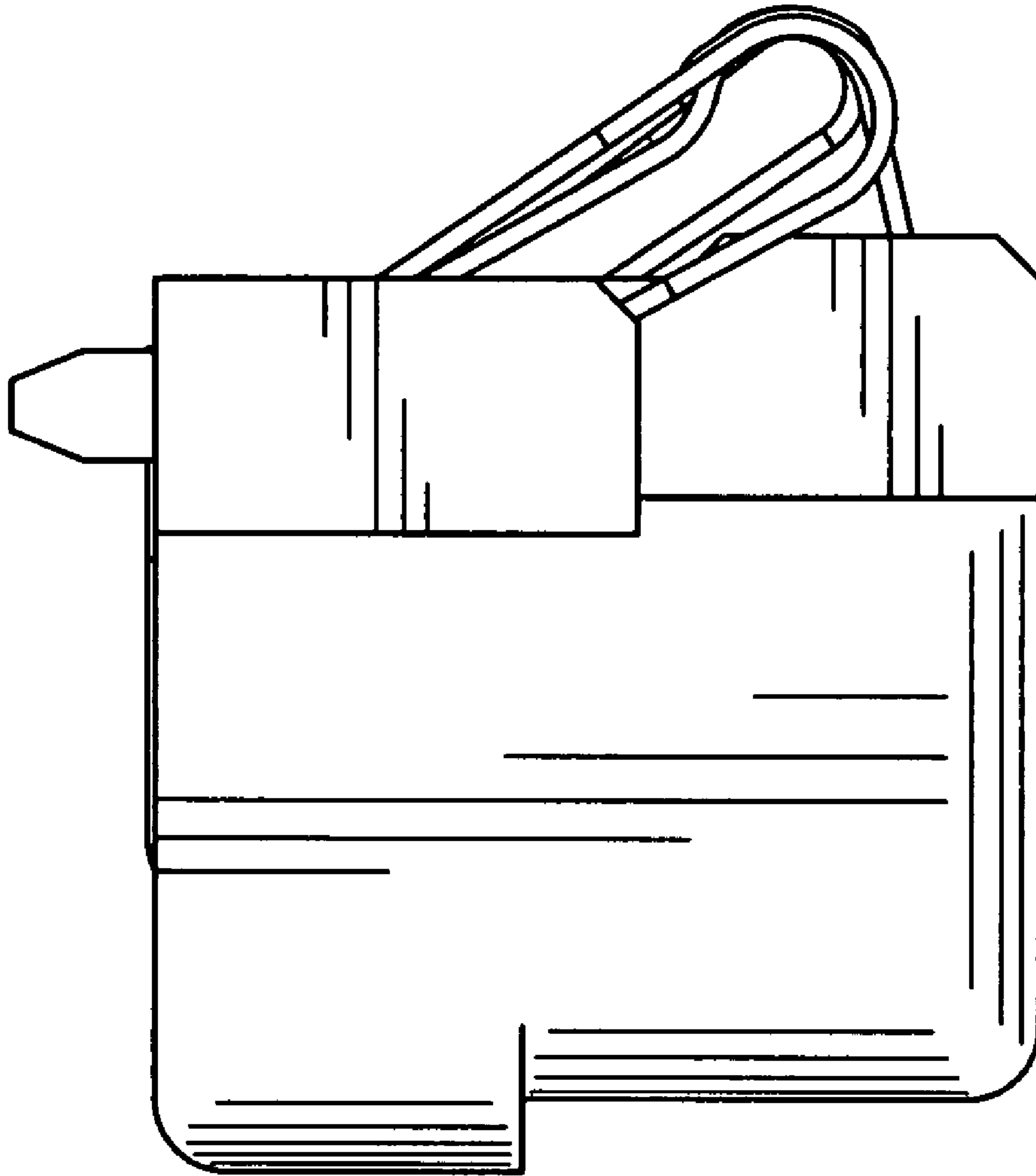


FIG. 5

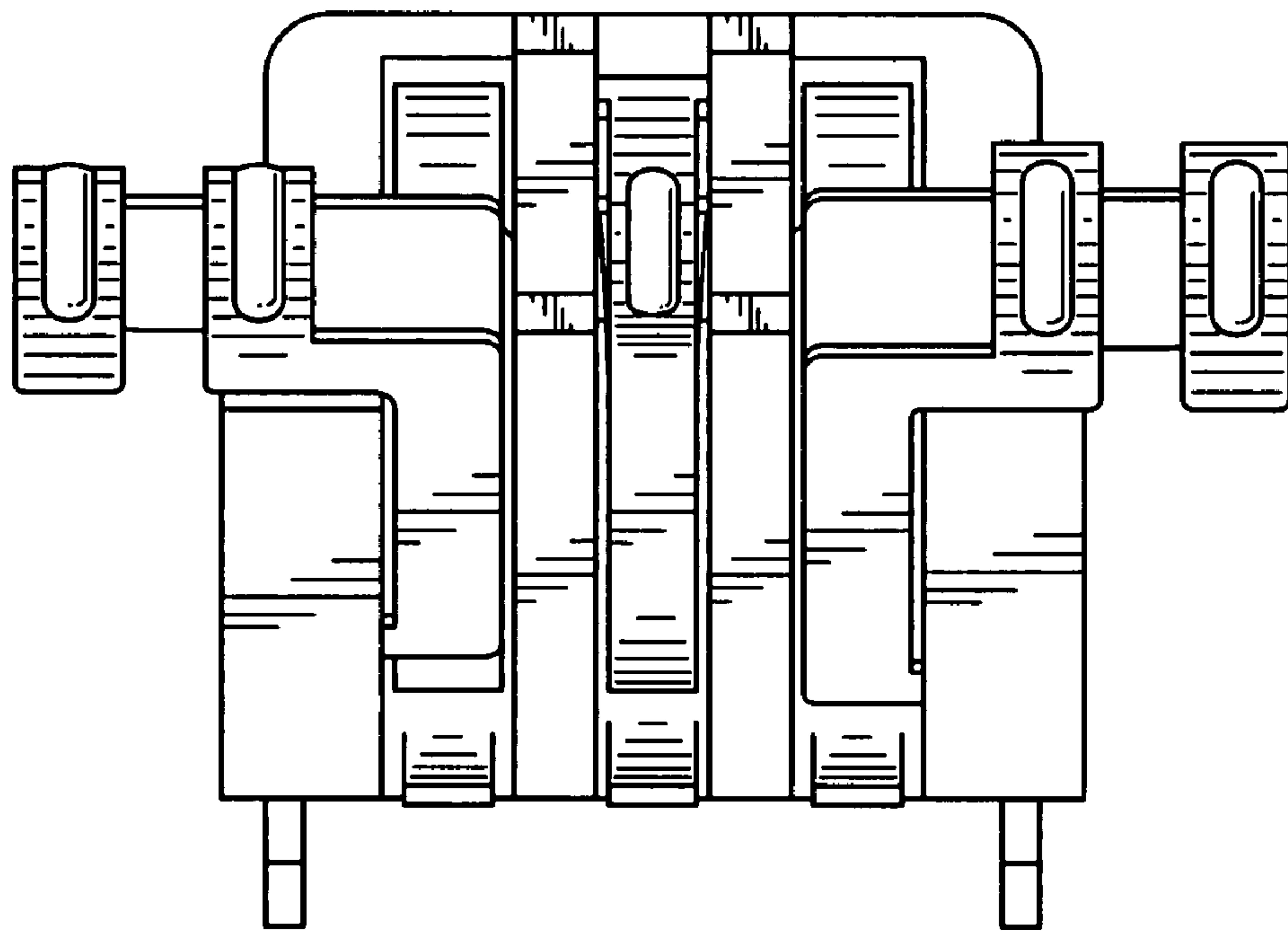


FIG. 6

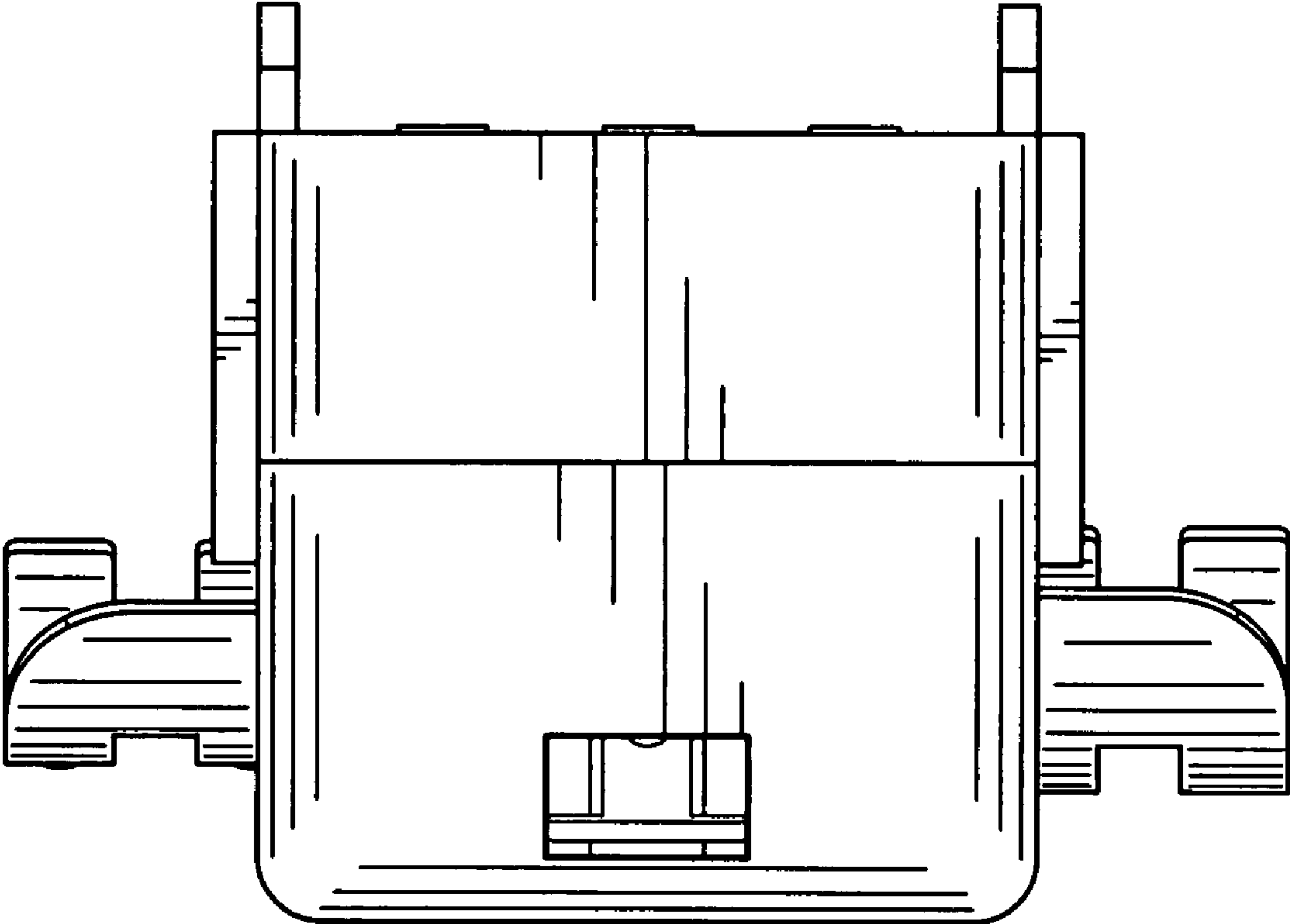


FIG. 7