



US00D571722S

(12) **United States Design Patent**
Kang et al.

(10) **Patent No.:** **US D571,722 S**

(45) **Date of Patent:** **** Jun. 24, 2008**

(54) **CHARGER**

(75) Inventors: **Donwoong Kang**, Camillus, NY (US);
Scott W. Osiecki, Skaneateles, NY (US)

(73) Assignee: **Eveready Battery Company, Inc.**, St. Louis, MO (US)

(**) Term: **14 Years**

(21) Appl. No.: **29/292,093**

(22) Filed: **Sep. 27, 2007**

(51) **LOC (8) Cl.** **13-02**

(52) **U.S. Cl.** **D13/107**

(58) **Field of Classification Search** D13/107–110,
D13/118–119, 184; D14/251, 253, 432,
D14/434; 320/107–115

See application file for complete search history.

(56) **References Cited**

U.S. PATENT DOCUMENTS

D333,120	S	*	2/1993	Shimoo et al.	D13/107
D375,934	S	*	11/1996	Rosen et al.	D13/107
D408,418	S	*	4/1999	Pescetto et al.	D14/253
D411,823	S	*	7/1999	Jacobs et al.	D13/107
D454,837	S	*	3/2002	Ibuki et al.	D13/107
D456,004	S	*	4/2002	Lie	D13/107
D463,360	S	*	9/2002	Lie	D13/107
D465,452	S	*	11/2002	Lie	D13/107

D466,075	S	*	11/2002	Lie	D13/107
6,583,600	B2	*	6/2003	Haga et al.	320/110
6,774,605	B2	*	8/2004	Usui et al.	320/112
D546,281	S	*	7/2007	Bell	D13/107
2006/0170393	A1	*	8/2006	Yang	320/107

* cited by examiner

Primary Examiner—Cathron Brooks

Assistant Examiner—Rosemary K Tarcza

(74) *Attorney, Agent, or Firm*—Gregory J. Adams

(57) **CLAIM**

We claim the ornamental design for a charger, as shown and described.

DESCRIPTION

FIG. 1 is a perspective view of the charger of the design.

FIG. 2 is a front view of the charger of the design.

FIG. 3 is a rear view of the charger of the design.

FIG. 4 is a left side view of the charger of the design.

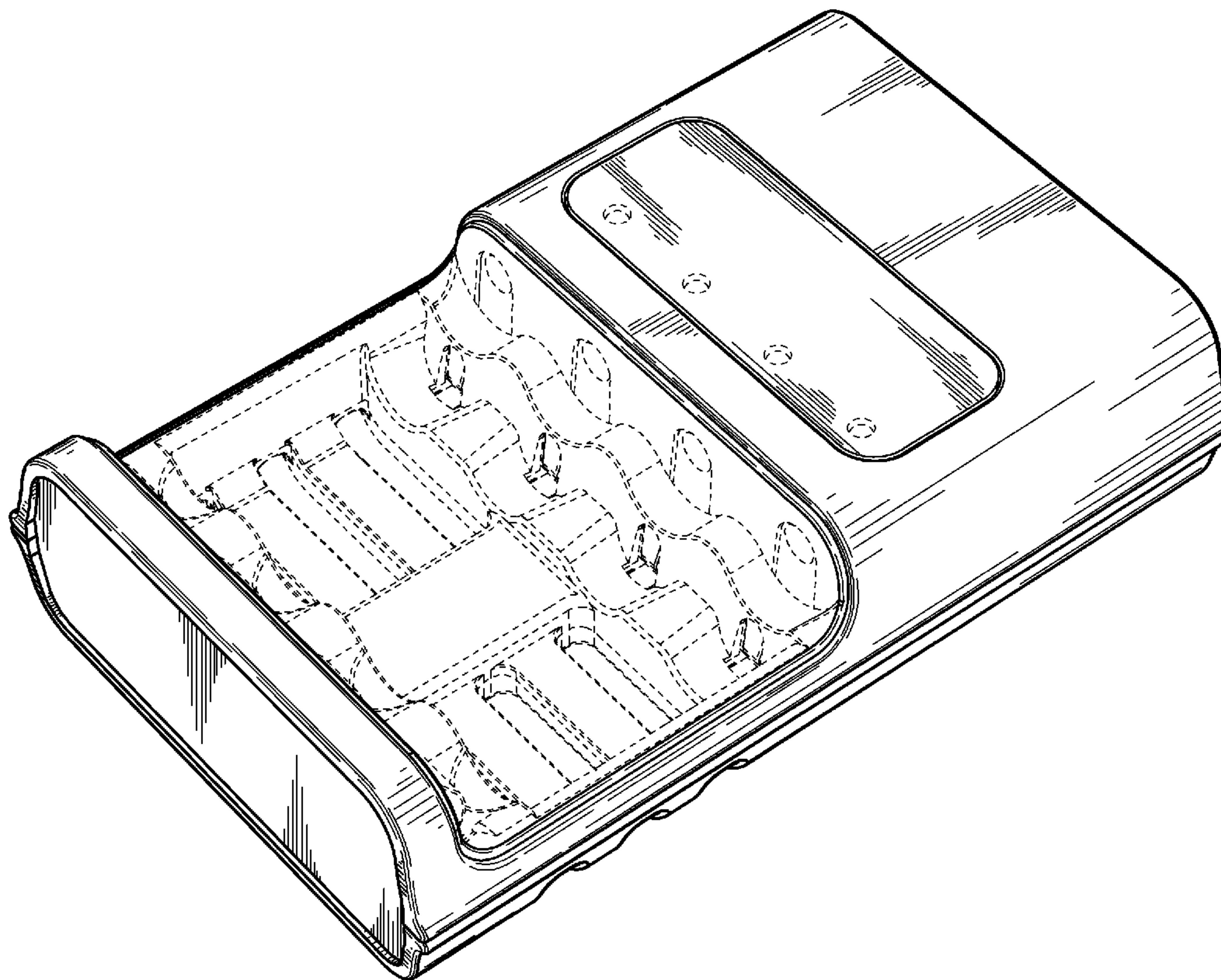
FIG. 5 is a right side view of the charger of the design.

FIG. 6 is a bottom view of the charger of the design; and,

FIG. 7 is a top view of the charger of the design.

Any broken line(s) shown are for illustrative purposes only and form no part of the claimed design.

1 Claim, 5 Drawing Sheets



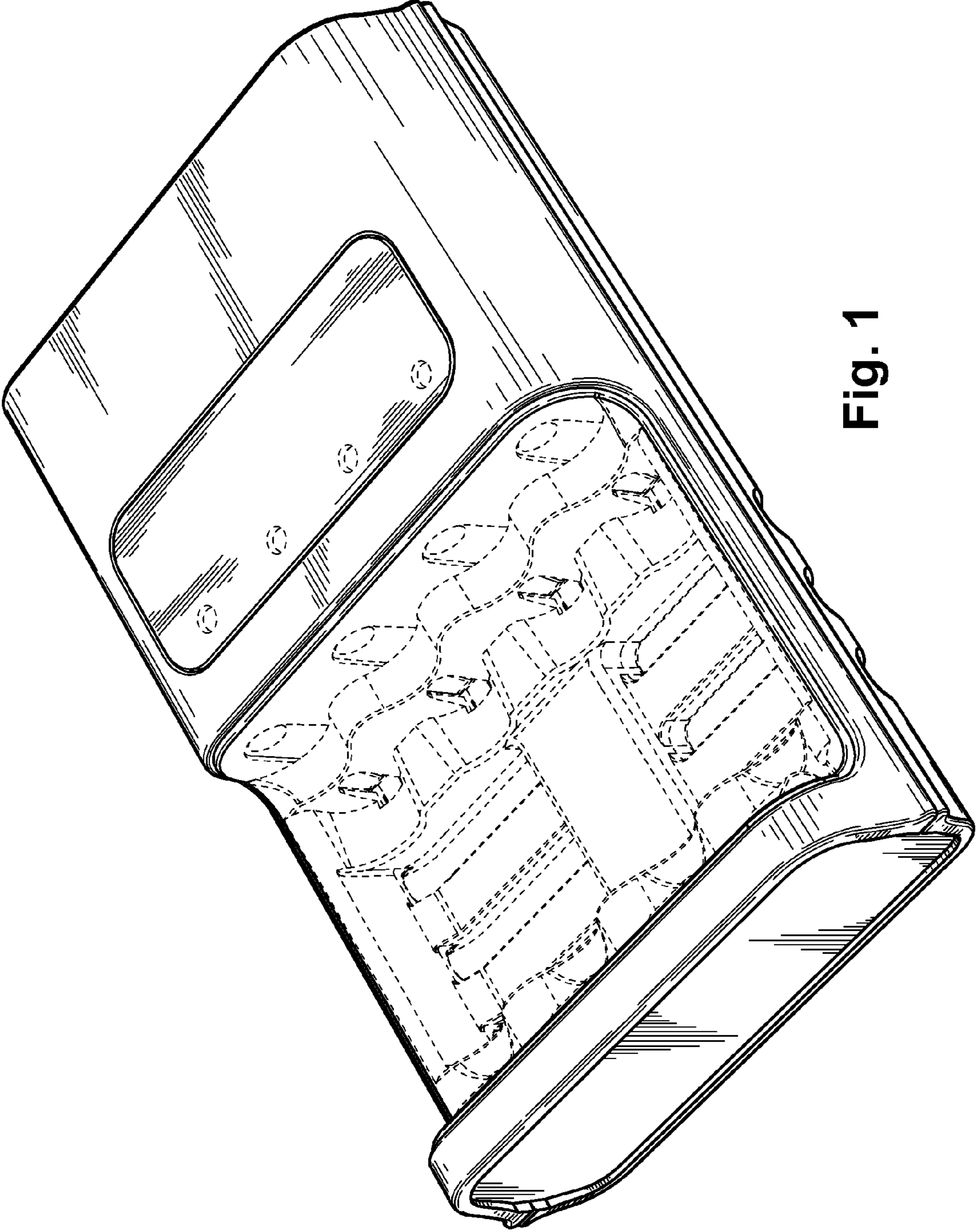


Fig. 1

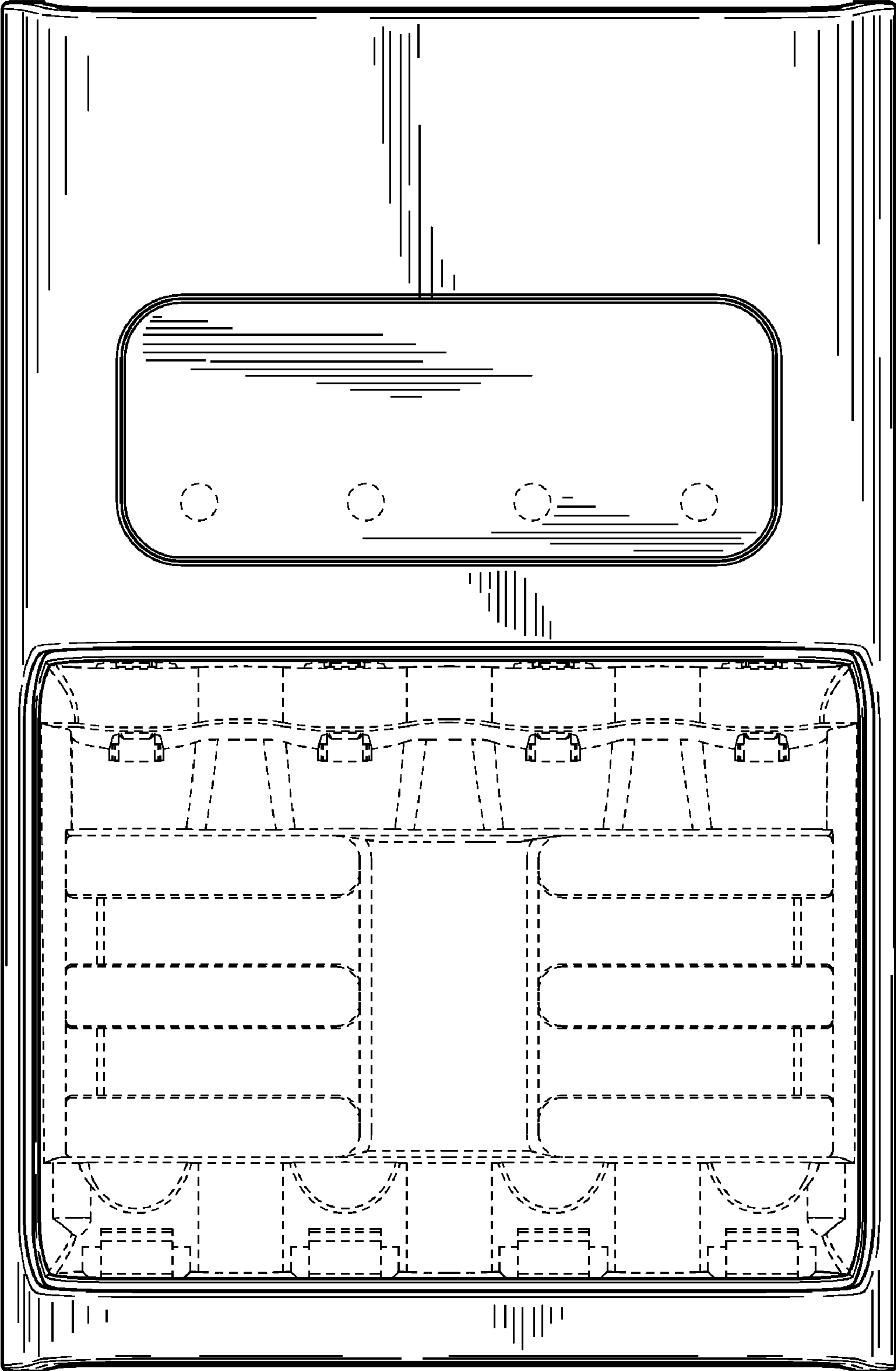


Fig. 2

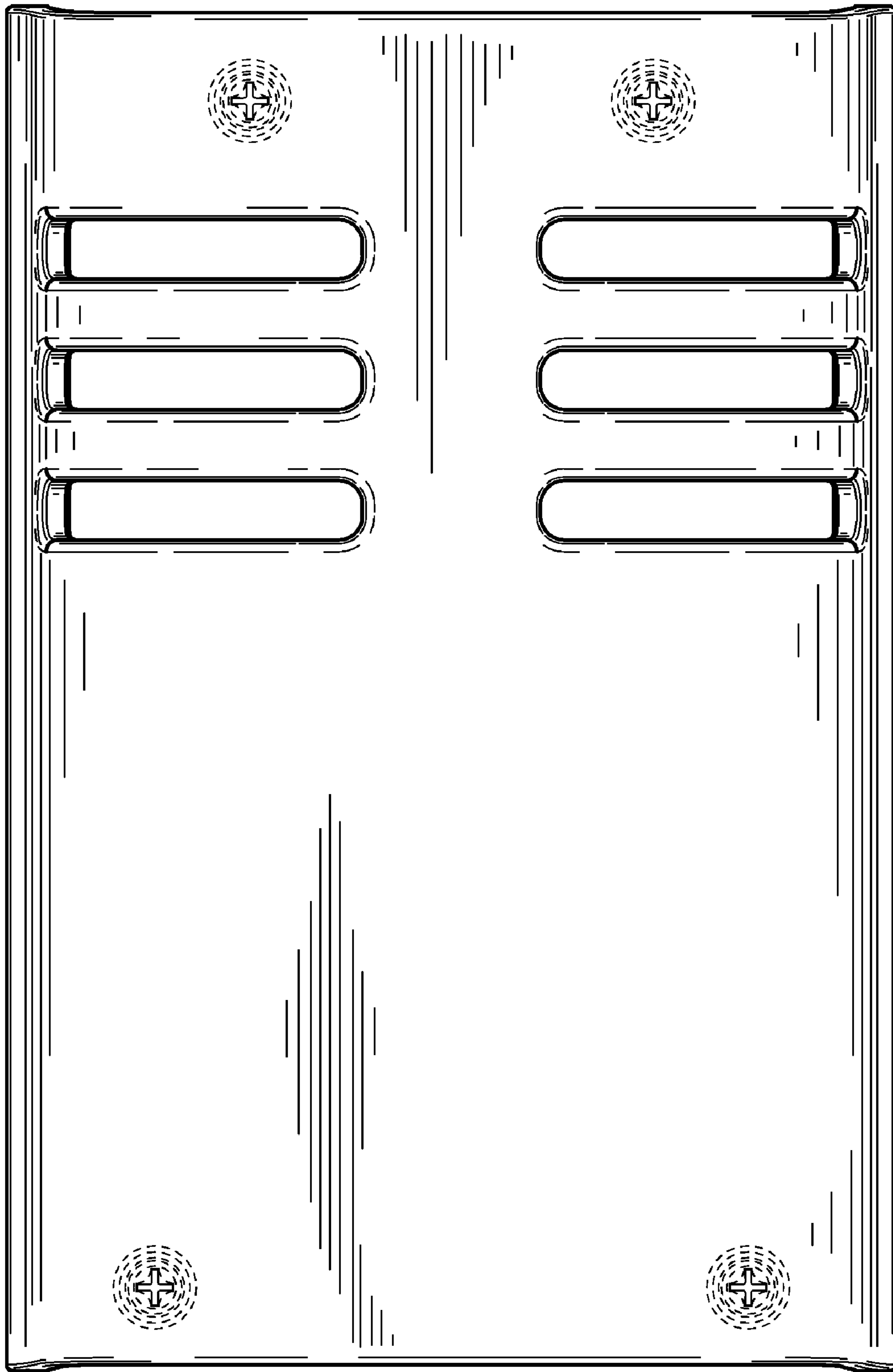


Fig. 3

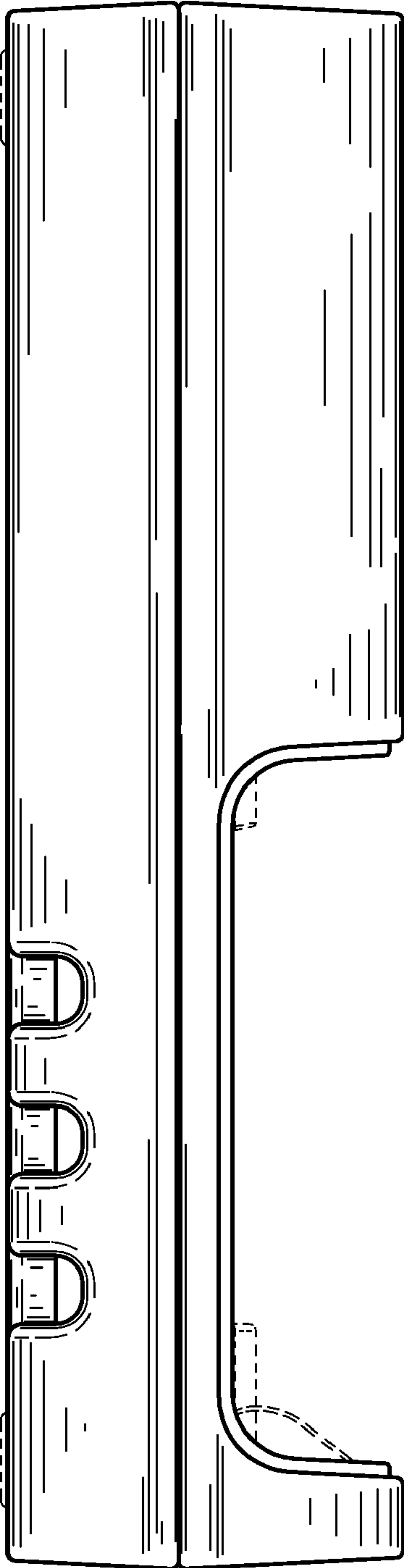


Fig. 4

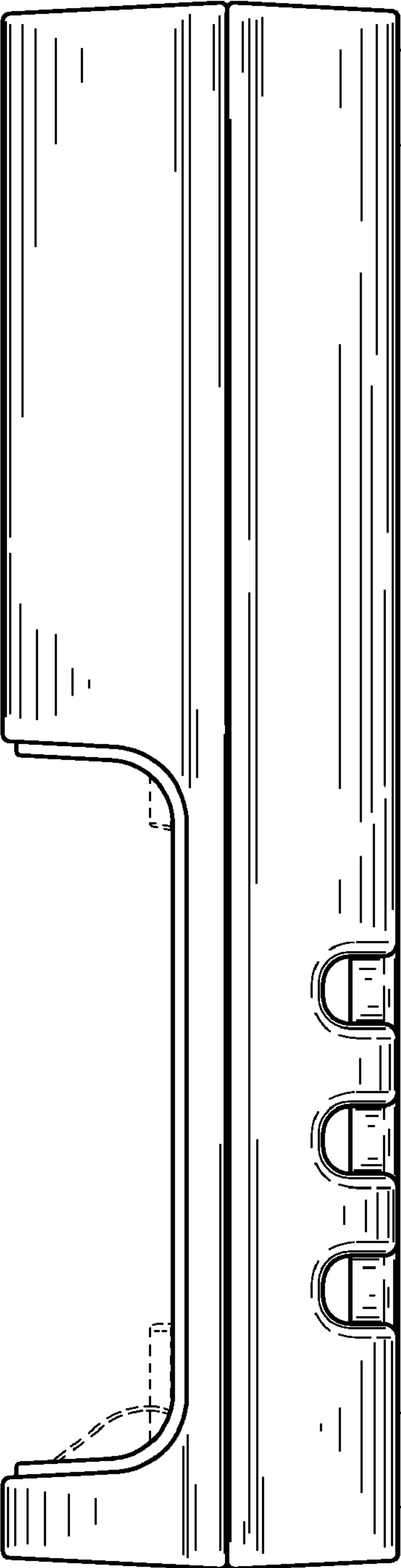


Fig. 5

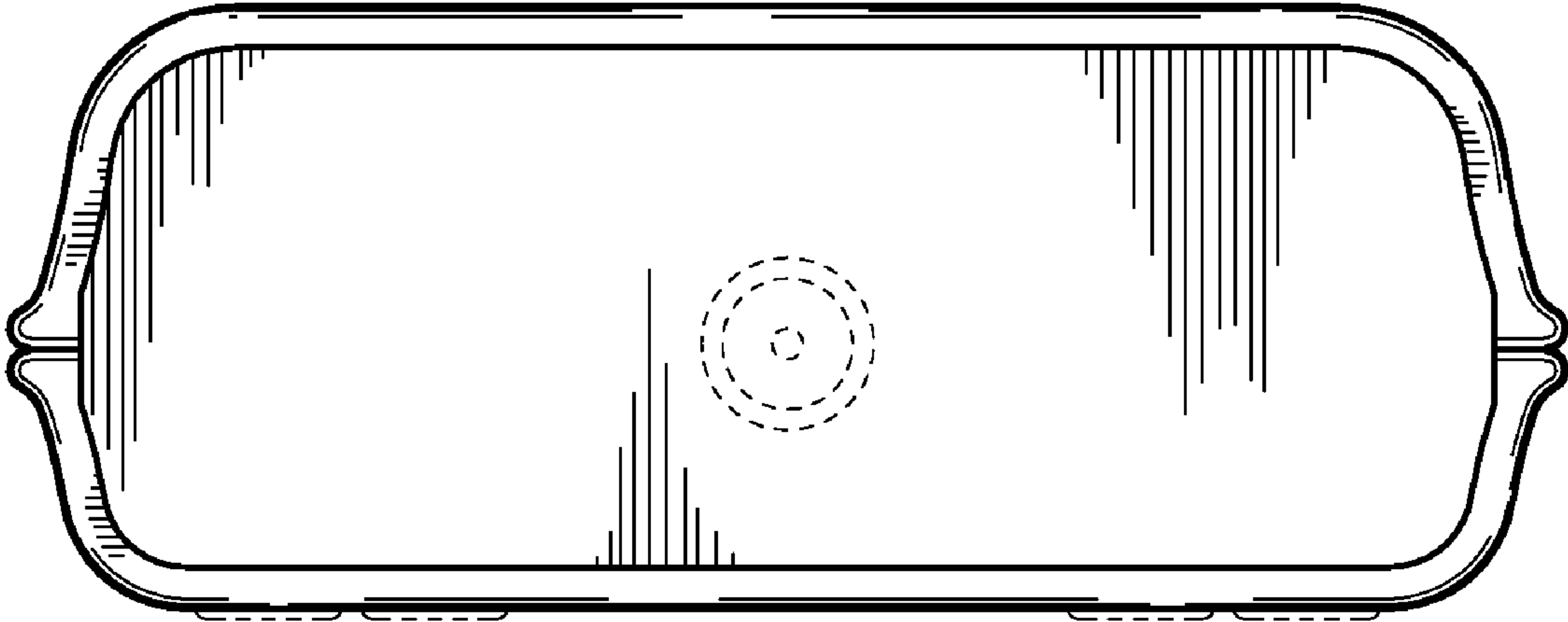


Fig. 6

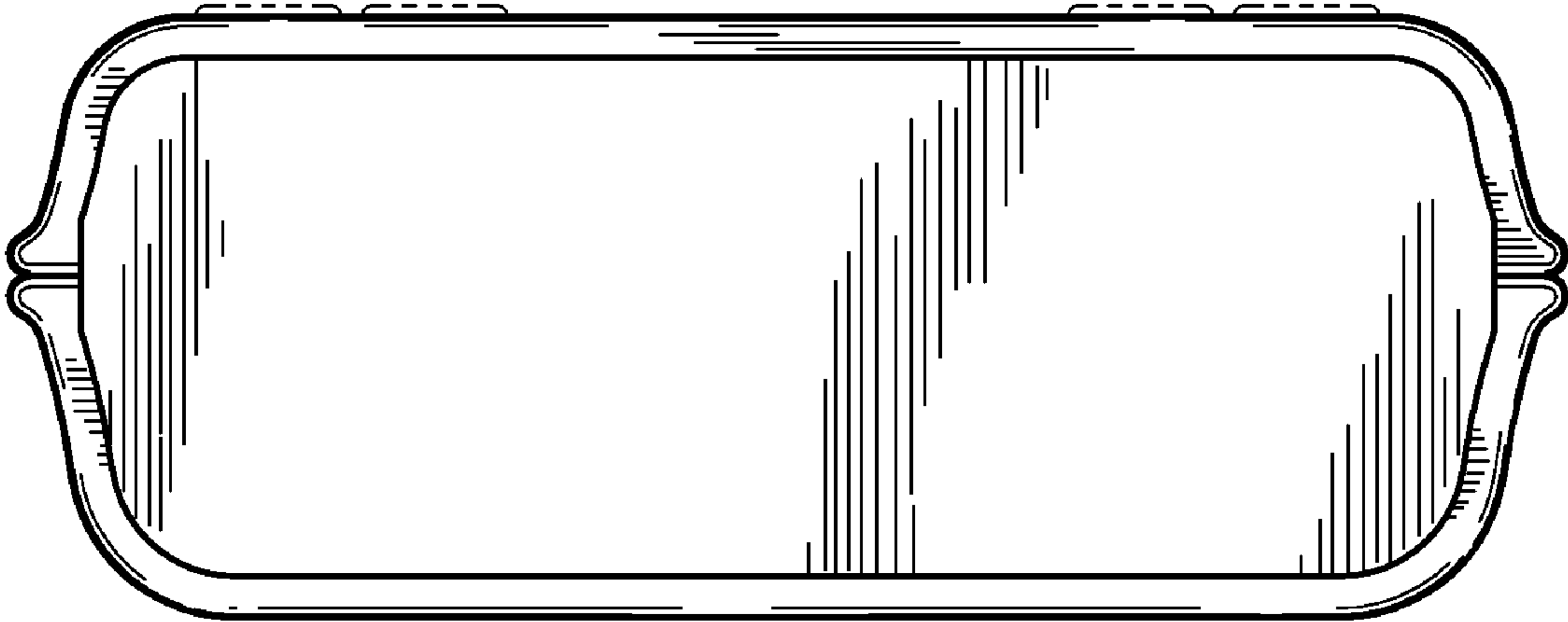


Fig. 7