



US00D571720S

(12) **United States Design Patent**
Yang

(10) **Patent No.:** **US D571,720 S**
(45) **Date of Patent:** **** Jun. 24, 2008**

(54) **BATTERY CHARGER**

(75) Inventor: **Fu-I Yang**, Taoyuan (TW)

(73) Assignee: **Samya Technology Co., Ltd.**, Taoyuan County (TW)

(**) Term: **14 Years**

(21) Appl. No.: **29/287,289**

(22) Filed: **Jul. 19, 2007**

(51) **LOC (8) Cl.** **13-02**

(52) **U.S. Cl.** **D13/107**

(58) **Field of Classification Search** D13/107–110,
D13/118–119, 184; D14/251, 253, 432,
D14/434; 320/107–115

See application file for complete search history.

(56) **References Cited**

U.S. PATENT DOCUMENTS

D268,341	S *	3/1983	Mallon	D13/119
D358,821	S *	5/1995	Hellier et al.	D14/253
D361,069	S *	8/1995	Hellier et al.	D14/253
D417,189	S *	11/1999	Amero et al.	D13/107
D443,856	S *	6/2001	Lehtovaara	D13/107
D467,867	S *	12/2002	Hsiao	D13/107
6,583,600	B2 *	6/2003	Haga et al.	320/110
6,710,576	B1 *	3/2004	Kaufman et al.	320/107
D532,370	S *	11/2006	Shimizu	D13/108
D534,862	S *	1/2007	Aguilar	D13/108
2003/0085685	A1 *	5/2003	Usui et al.	320/112
2003/0085686	A1 *	5/2003	Haga et al.	320/112
2004/0056636	A1 *	3/2004	Hsu	320/107

* cited by examiner

Primary Examiner—Cathron Brooks

Assistant Examiner—Rosemary K Tarcza

(74) *Attorney, Agent, or Firm*—Rosenberg, Klein & Lee

(57) **CLAIM**

The ornamental design for a battery charger, as show and described.

DESCRIPTION

FIG. 1 is a right perspective view of a battery charger showing my new design;

FIG. 2 is a front elevational view thereof;

FIG. 3 is a rear elevational view thereof;

FIG. 4 is a right side elevational view thereof;

FIG. 5 is a left side elevational view thereof;

FIG. 6 is a top plan view thereof;

FIG. 7 is a bottom plan view thereof;

FIG. 8 is a perspective view of the design, showing the first use mode thereof;

FIG. 9 is a perspective view of the design, showing the second use mode thereof;

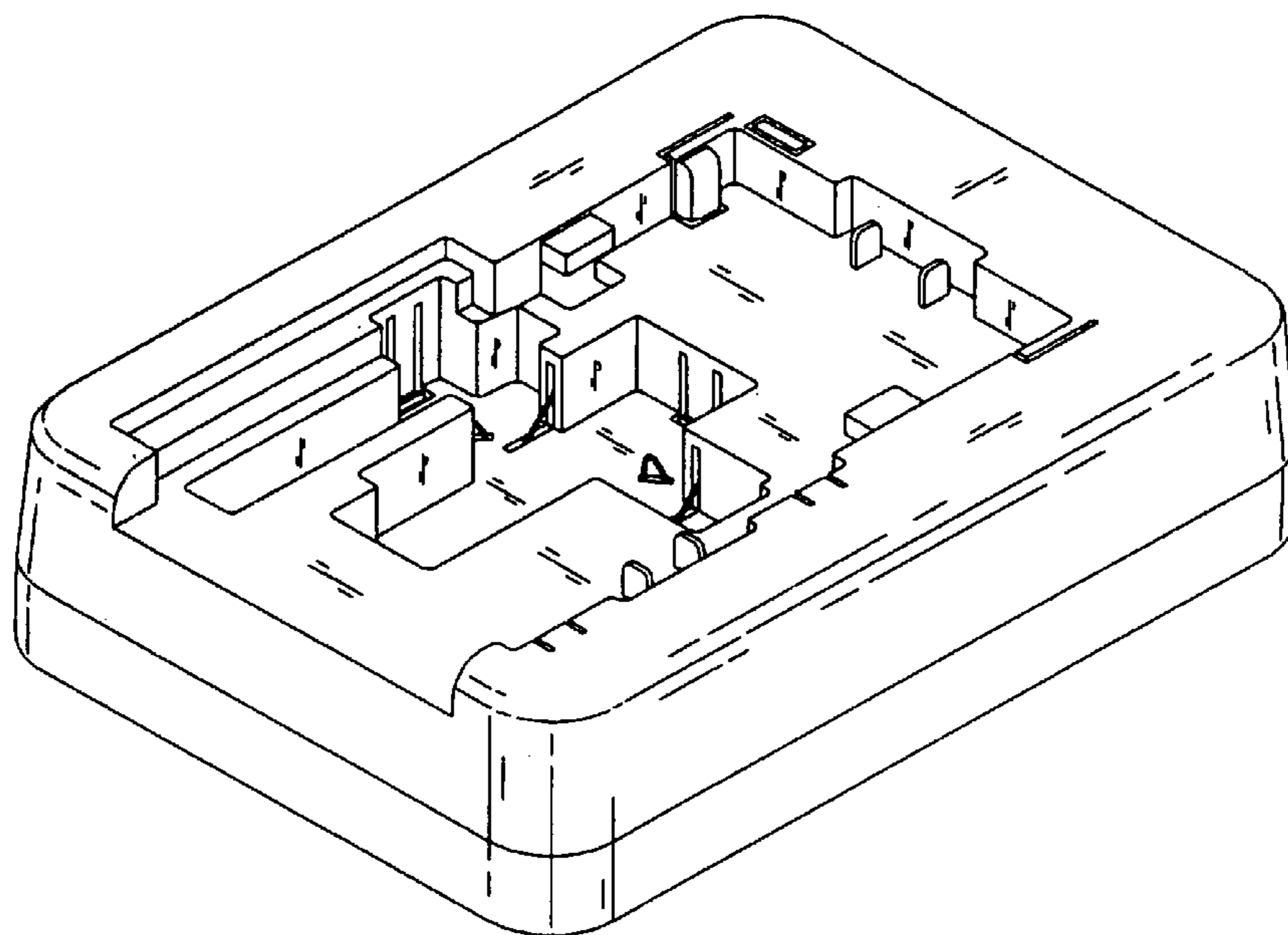
FIG. 10 is a perspective view of the design, showing the third use mode thereof;

FIG. 11 is a perspective view of the design, showing the fourth use mode thereof; and,

FIG. 12 is a perspective view of the design, showing the fifth use mode thereof.

The broken line showing of the battery and contacts in FIGS. 6, 8, 9, 10, 11, and 12 are included for the purpose of illustrating environmental structure only and forms no part of the claimed design.

1 Claim, 10 Drawing Sheets



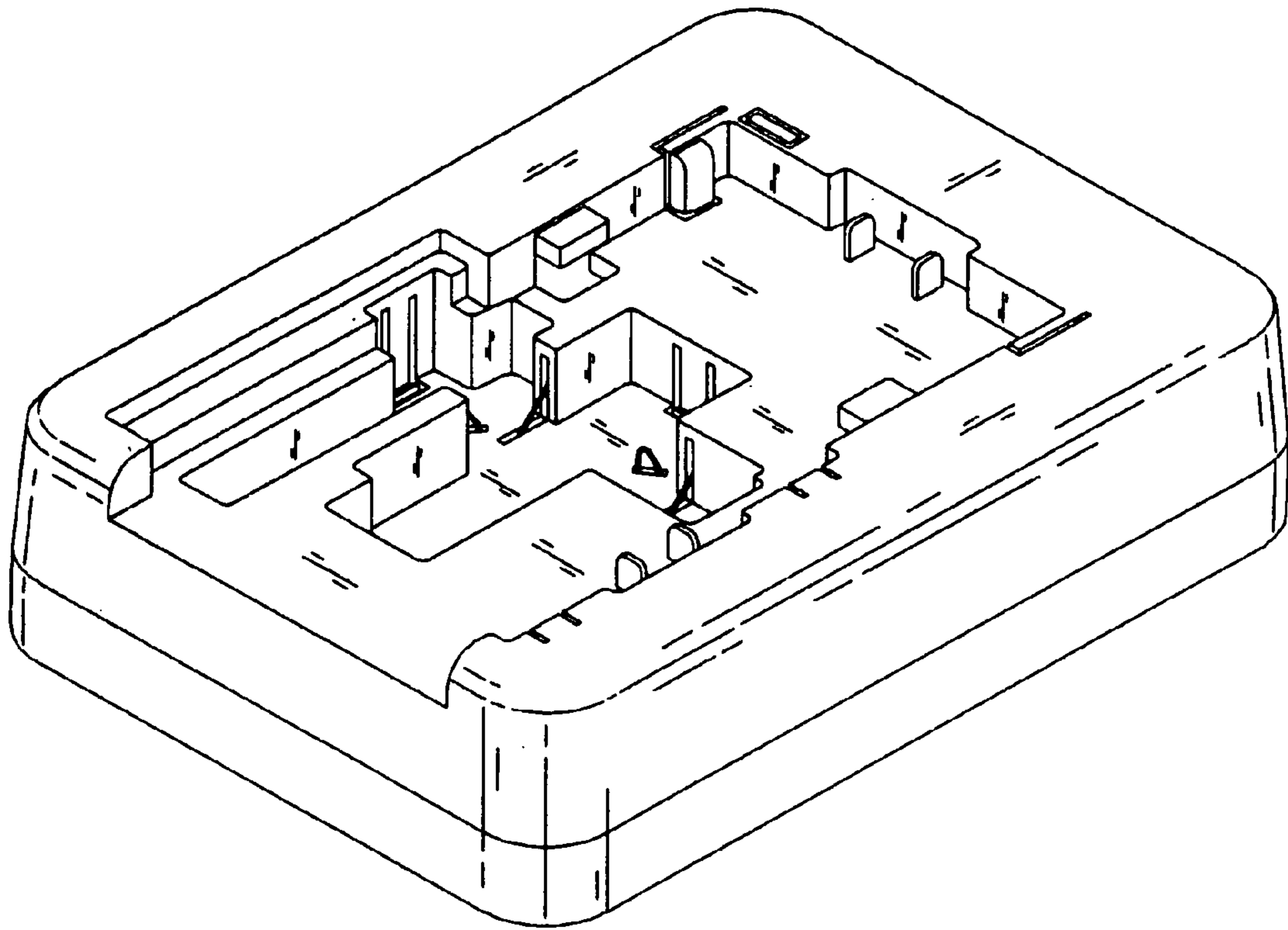


FIG.1

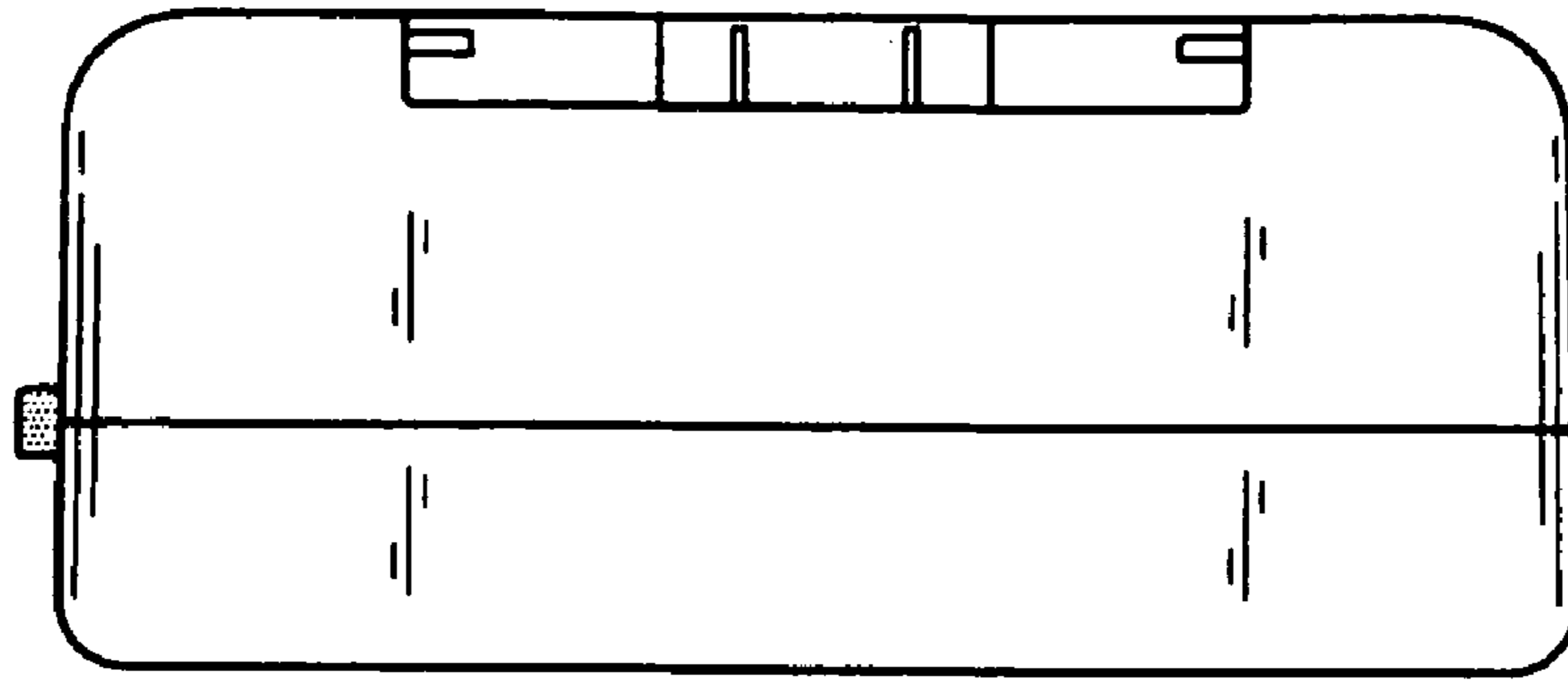


FIG. 2

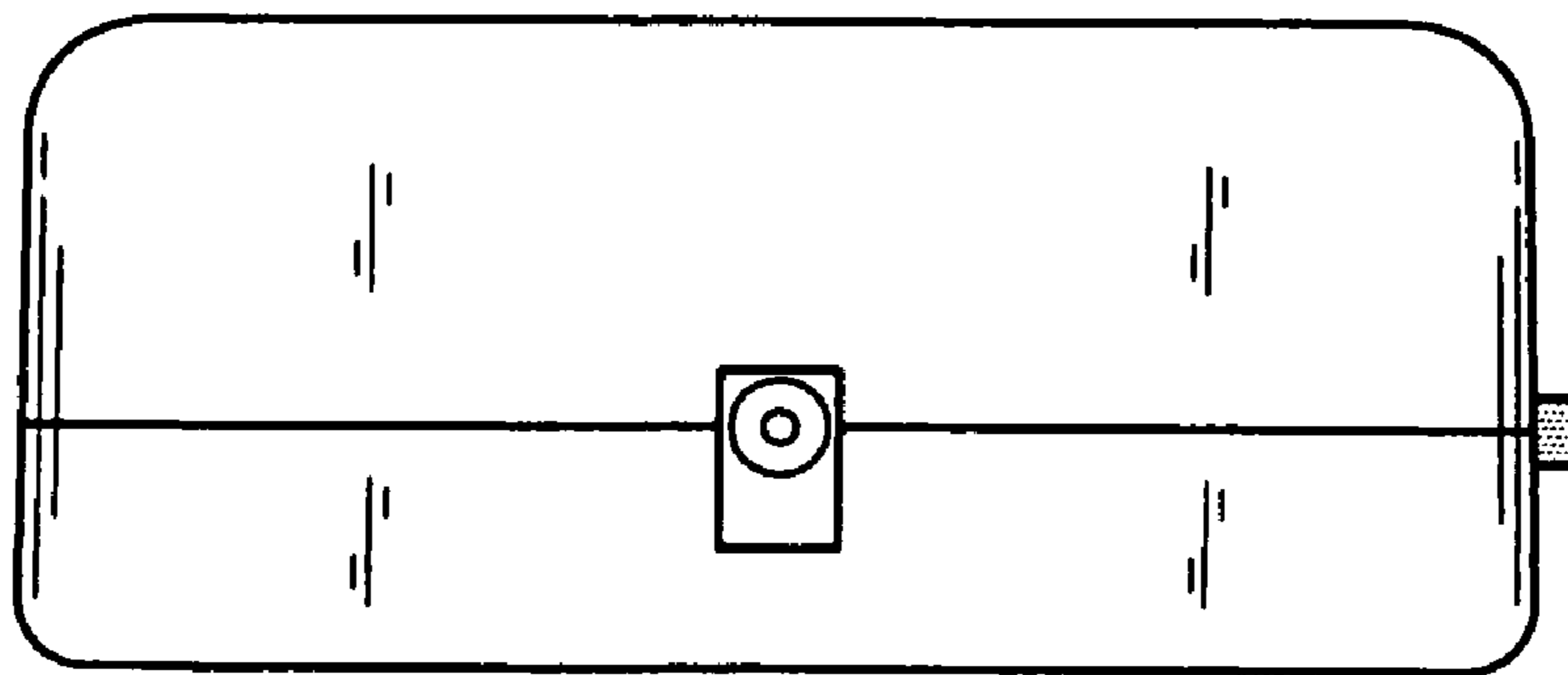


FIG. 3

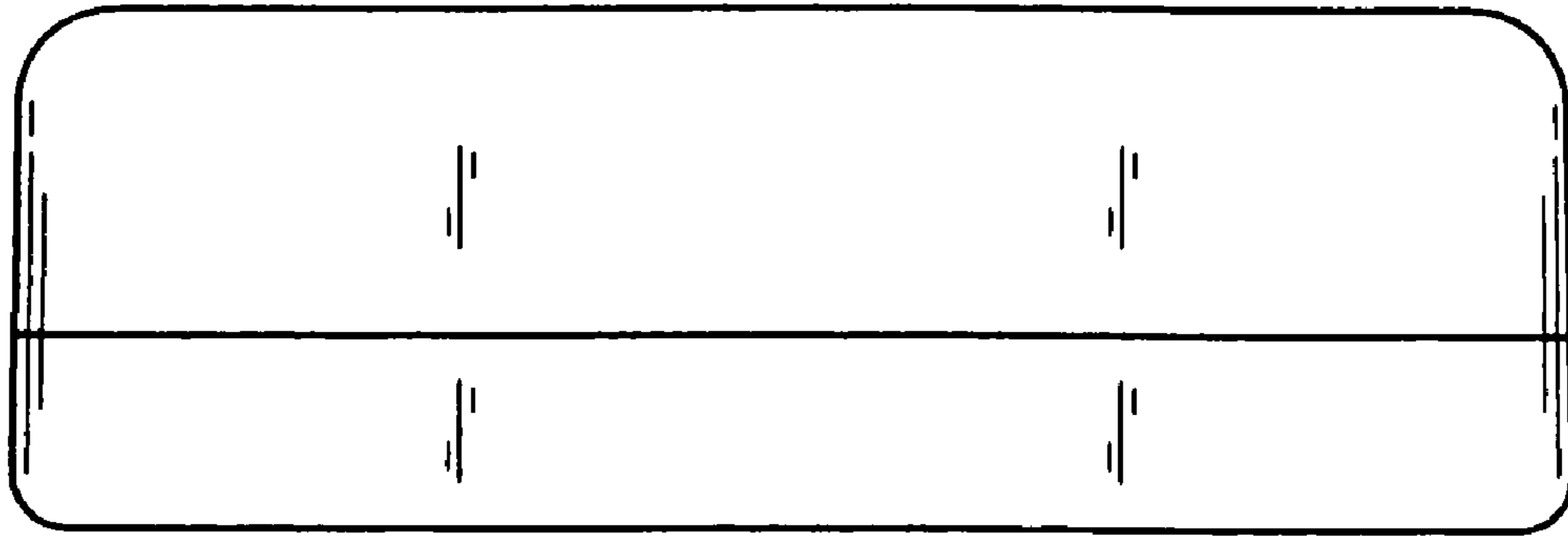


FIG. 4

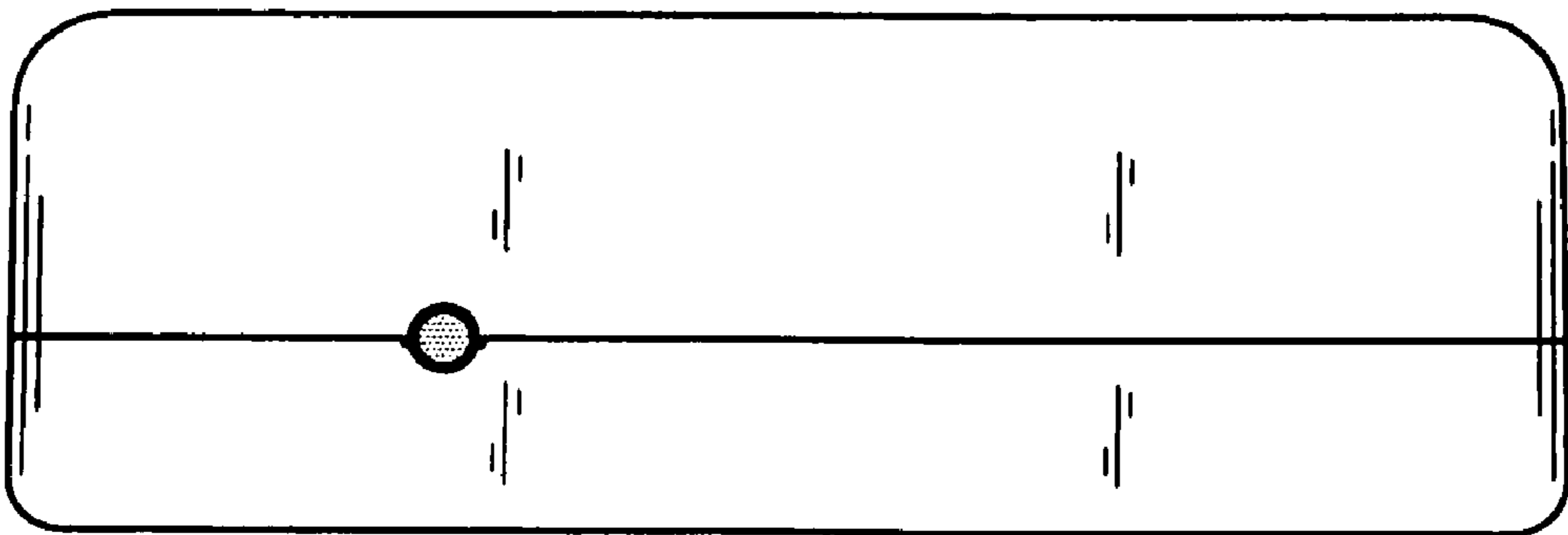


FIG. 5

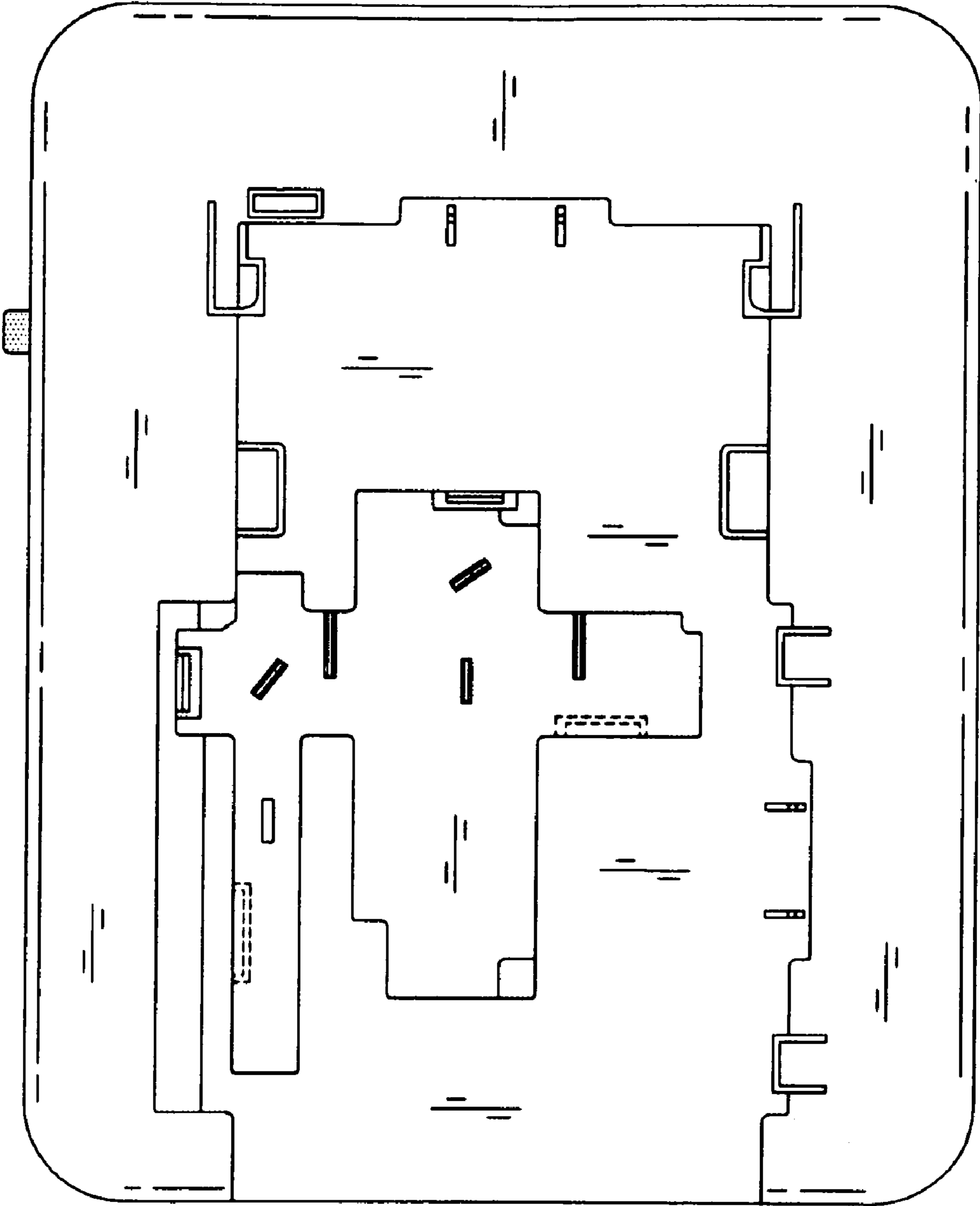


FIG.6

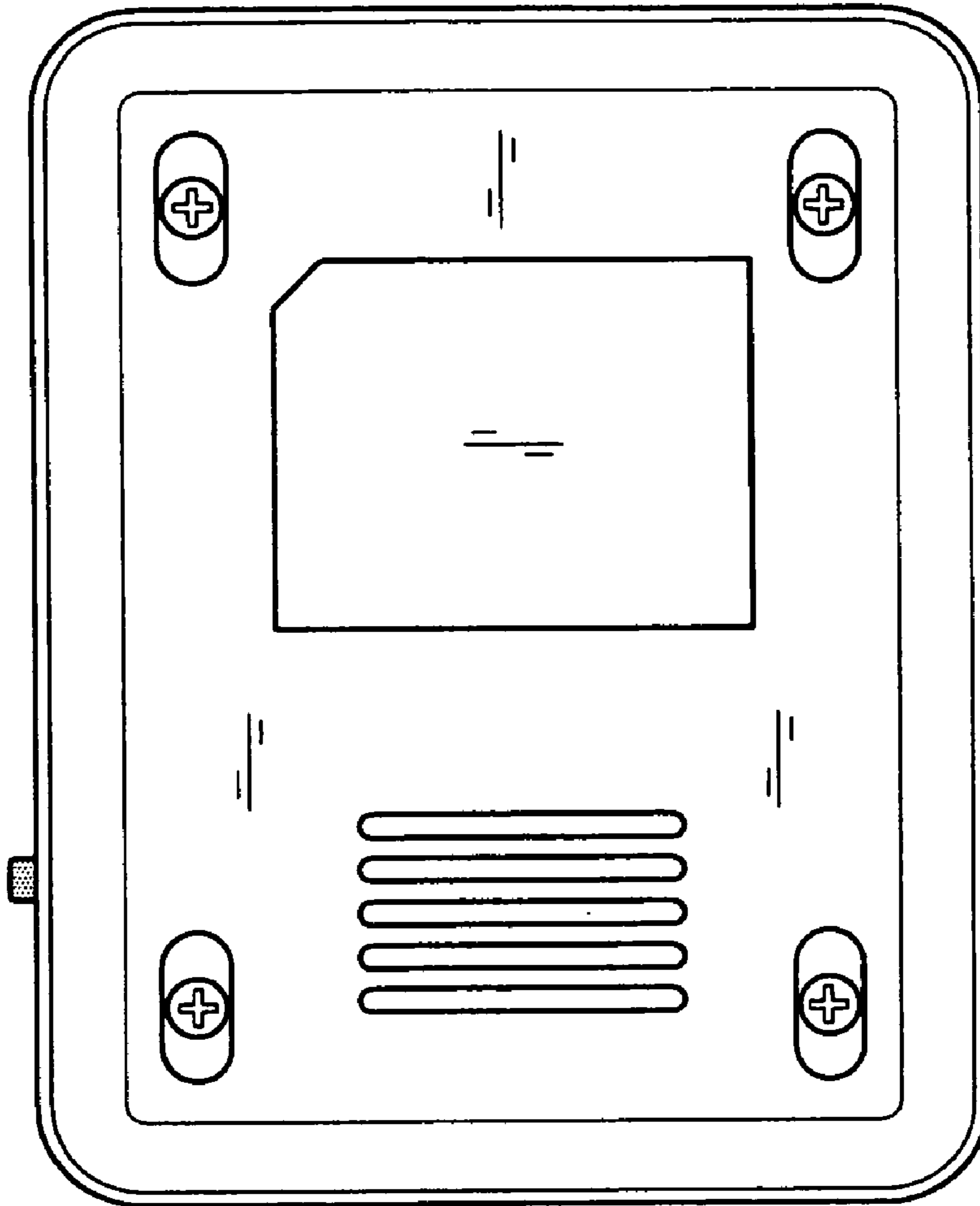


FIG. 7

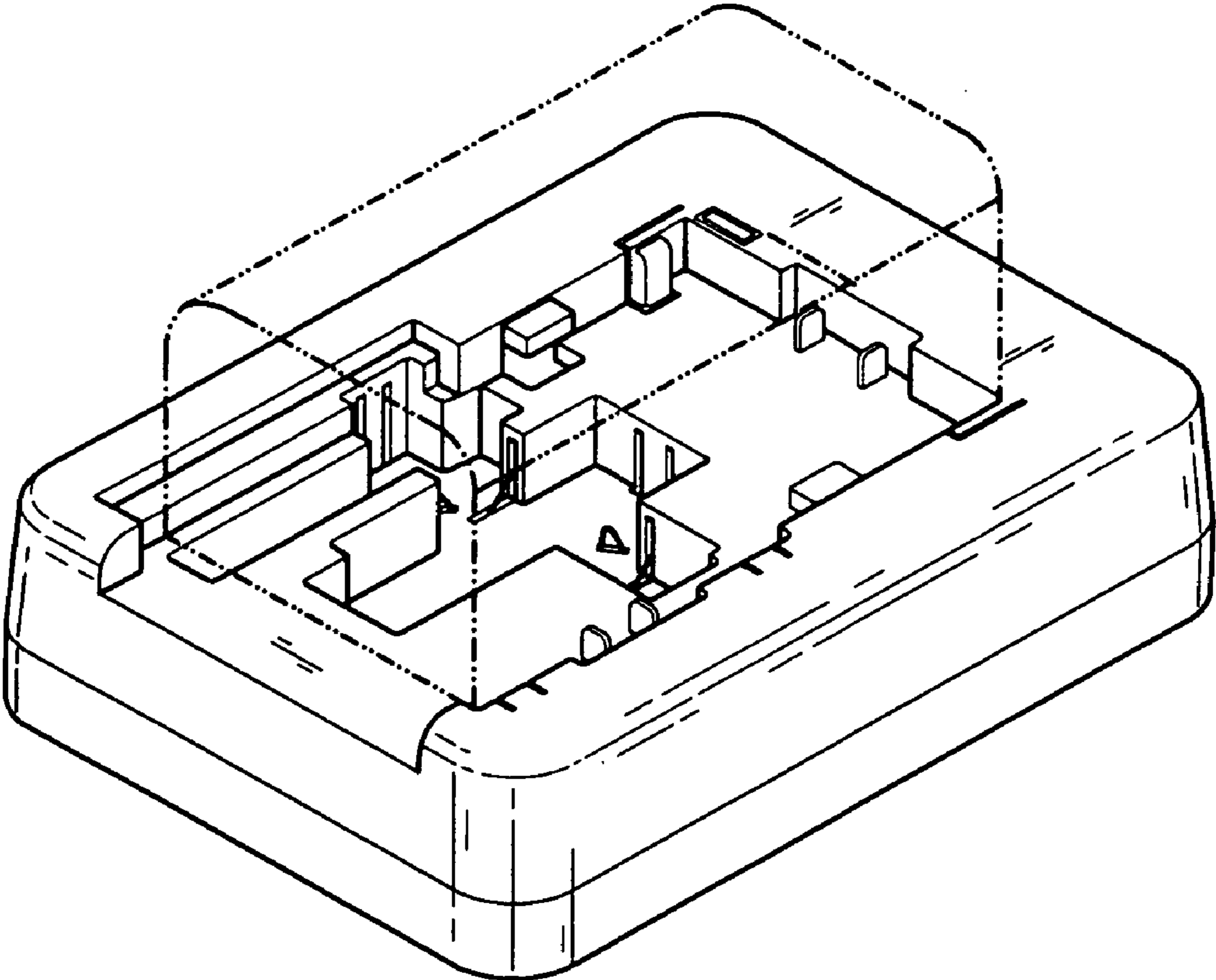


FIG.8

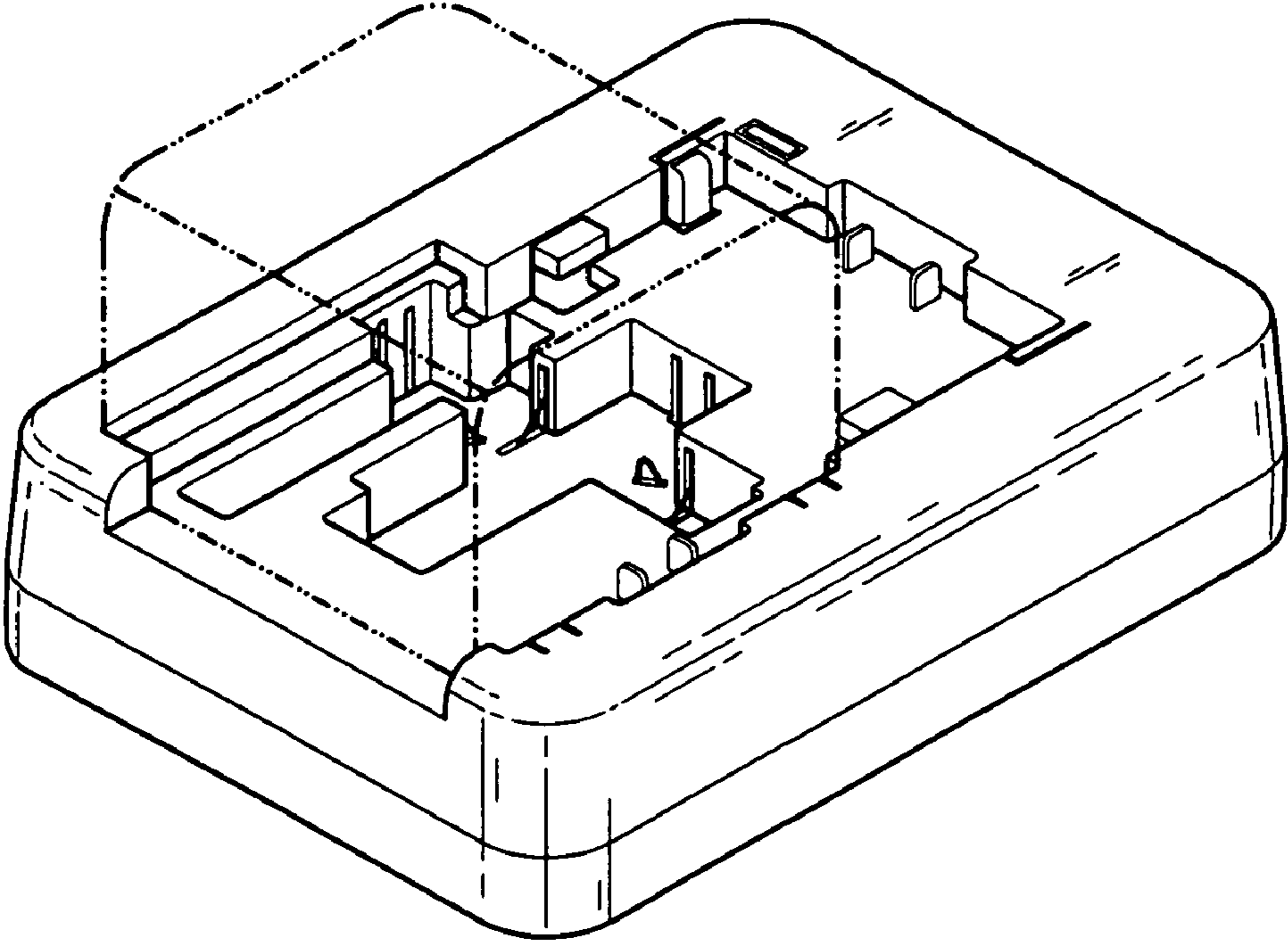


FIG.9

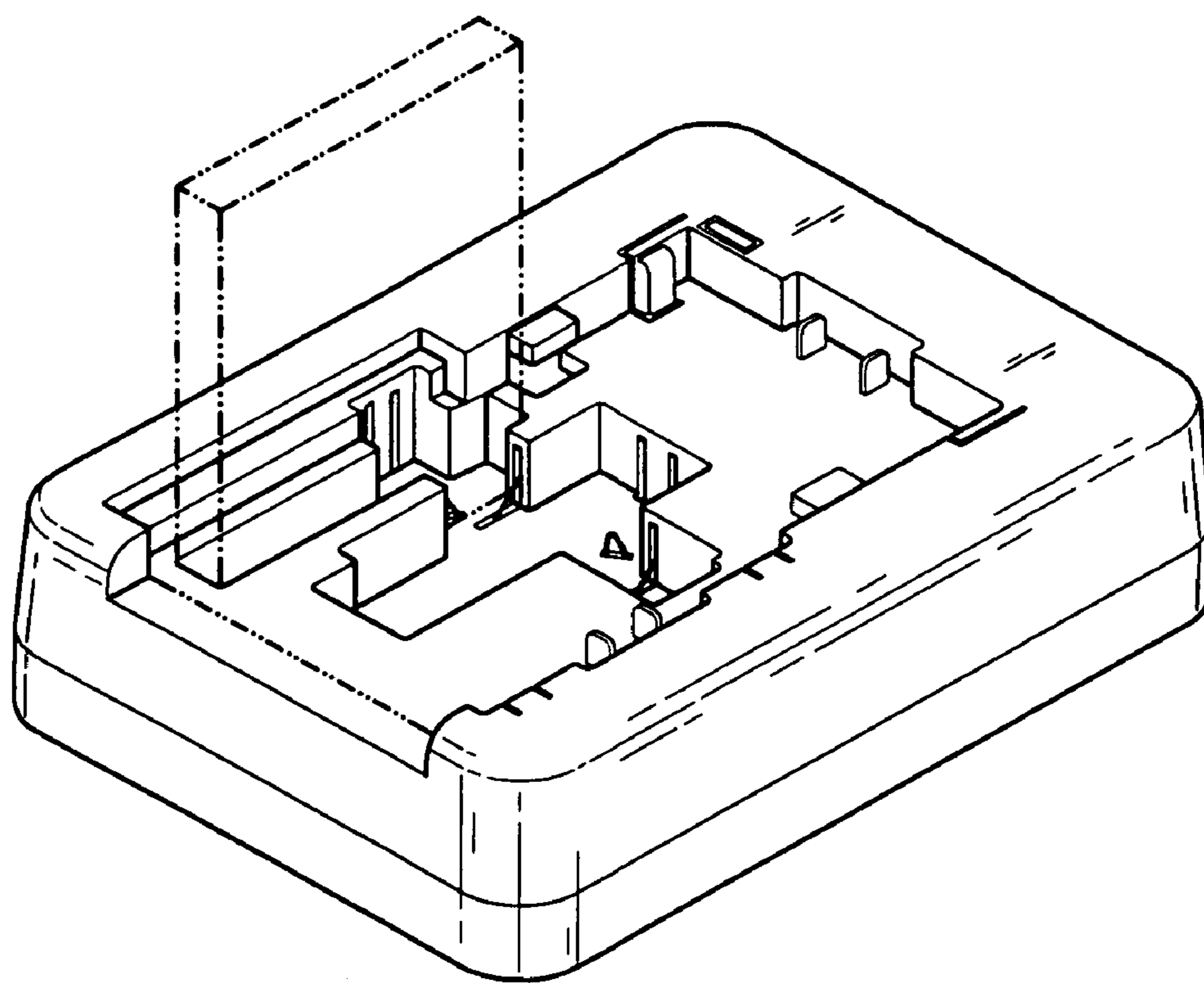


FIG.10

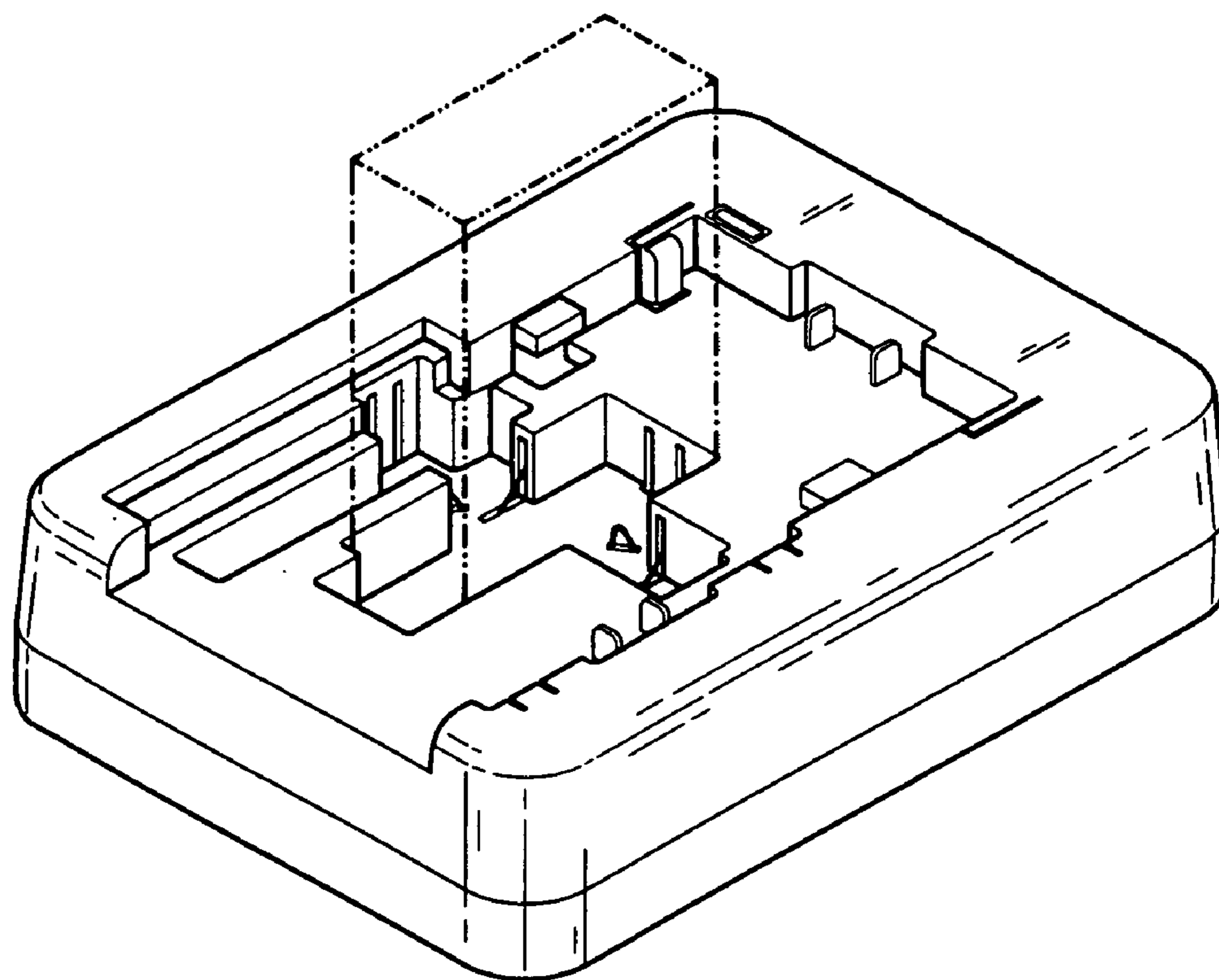


FIG.11

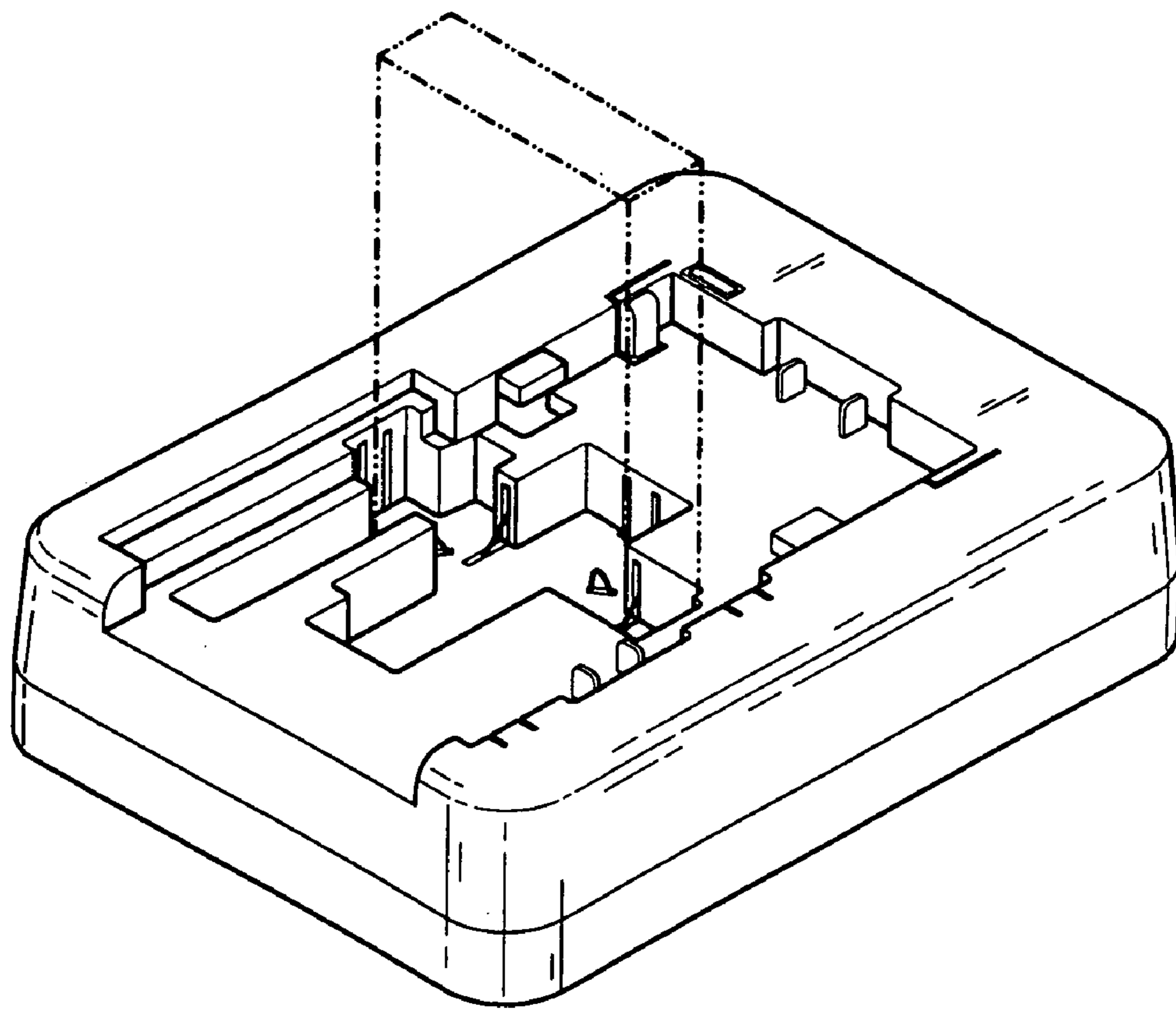


FIG.12