



US00D571719S

(12) **United States Design Patent**
Lee

(10) **Patent No.:** **US D571,719 S**
(45) **Date of Patent:** **** Jun. 24, 2008**

(54) **STORAGE BATTERY**

(76) Inventor: **Wen-Sung Lee**, 8F-2, No. 60-2, 1st Road, Taichung Industrial Park, Taichung 407 (TW)

(**) Term: **14 Years**

(21) Appl. No.: **29/283,344**

(22) Filed: **Aug. 10, 2007**

(51) **LOC (8) Cl.** **13-02**

(52) **U.S. Cl.** **D13/103**

(58) **Field of Classification Search** D13/102-106, D13/110, 118-119, 184; 429/96-100, 163, 429/176

See application file for complete search history.

(56) **References Cited**

U.S. PATENT DOCUMENTS

| | | | | | | |
|-----------|---|---|---------|------------------|-------|---------|
| D246,240 | S | * | 11/1977 | Hansen | | D13/103 |
| 4,880,712 | A | * | 11/1989 | Gordecki | | 429/97 |
| D340,027 | S | * | 10/1993 | Tortola | | D13/103 |
| D344,061 | S | * | 2/1994 | Tse | | D13/103 |
| D361,978 | S | * | 9/1995 | Shirai et al. | | D13/103 |
| D368,316 | S | * | 3/1996 | Jansson | | D26/39 |
| D400,493 | S | * | 11/1998 | Witkowski et al. | | D13/103 |
| D457,133 | S | * | 5/2002 | Yoneyama | | D13/103 |
| D550,613 | S | * | 9/2007 | Hamasaki | | D13/103 |

* cited by examiner

Primary Examiner—Cathron Brooks
Assistant Examiner—Rosemary K Tarcza
(74) *Attorney, Agent, or Firm*—Banger Shia

(57) **CLAIM**

I claim the ornamental design for a storage battery, as shown and described.

DESCRIPTION

FIG. 1 is a perspective view of a storage battery, showing my new design;

FIG. 2 is a front elevational view thereof;

FIG. 3 is a rear elevational view thereof;

FIG. 4 is a left side elevational view thereof;

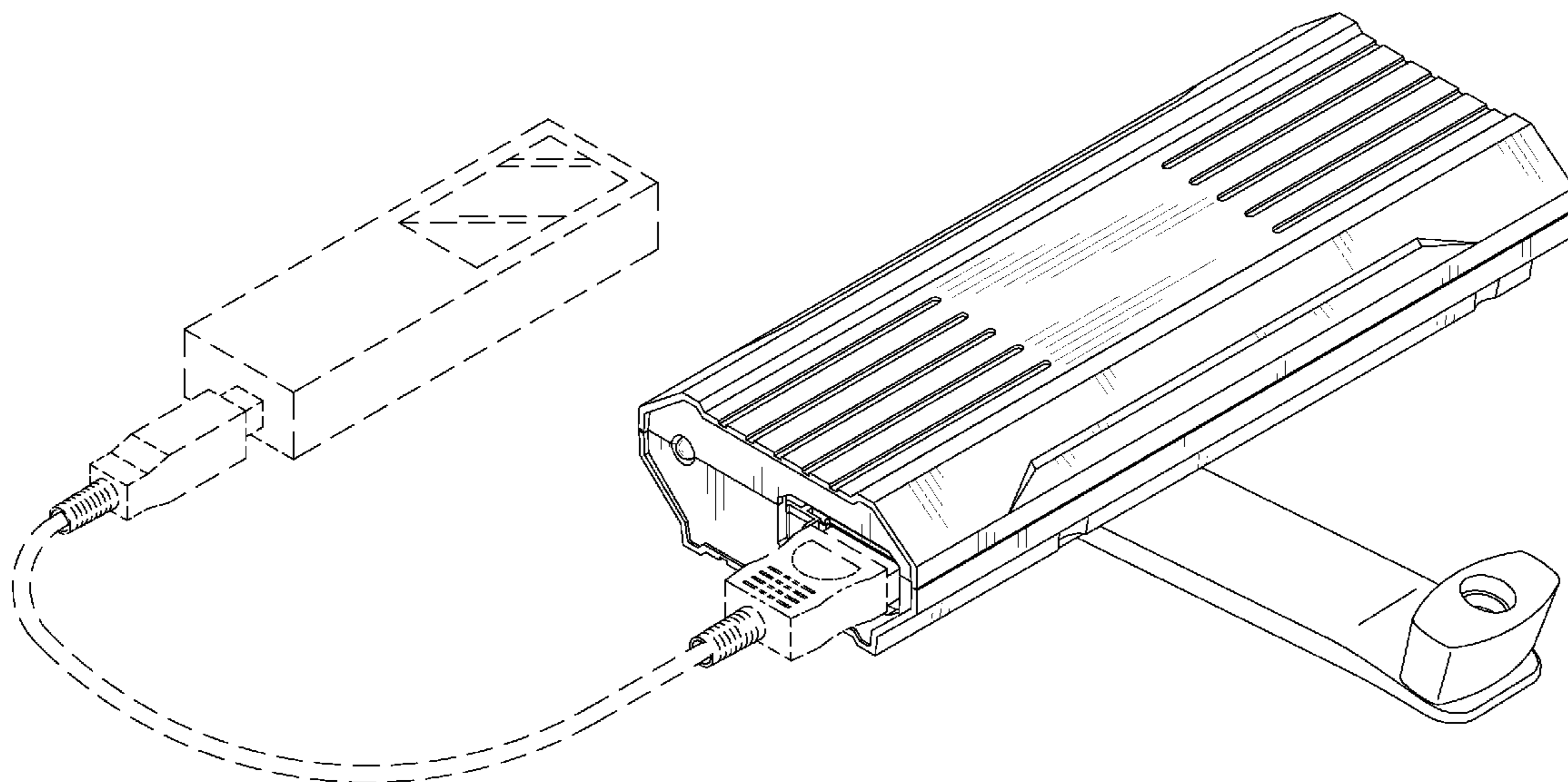
FIG. 5 is a right side elevational view thereof;

FIG. 6 is a top plan view thereof; and

FIG. 7 is a bottom plan view thereof; and,

FIG. 8 is a perspective view showing the claimed design with the handle in an open position. The broken line showing of the music player and the connector is included for the purpose of illustrating environment and forms no part of the claimed design.

1 Claim, 7 Drawing Sheets



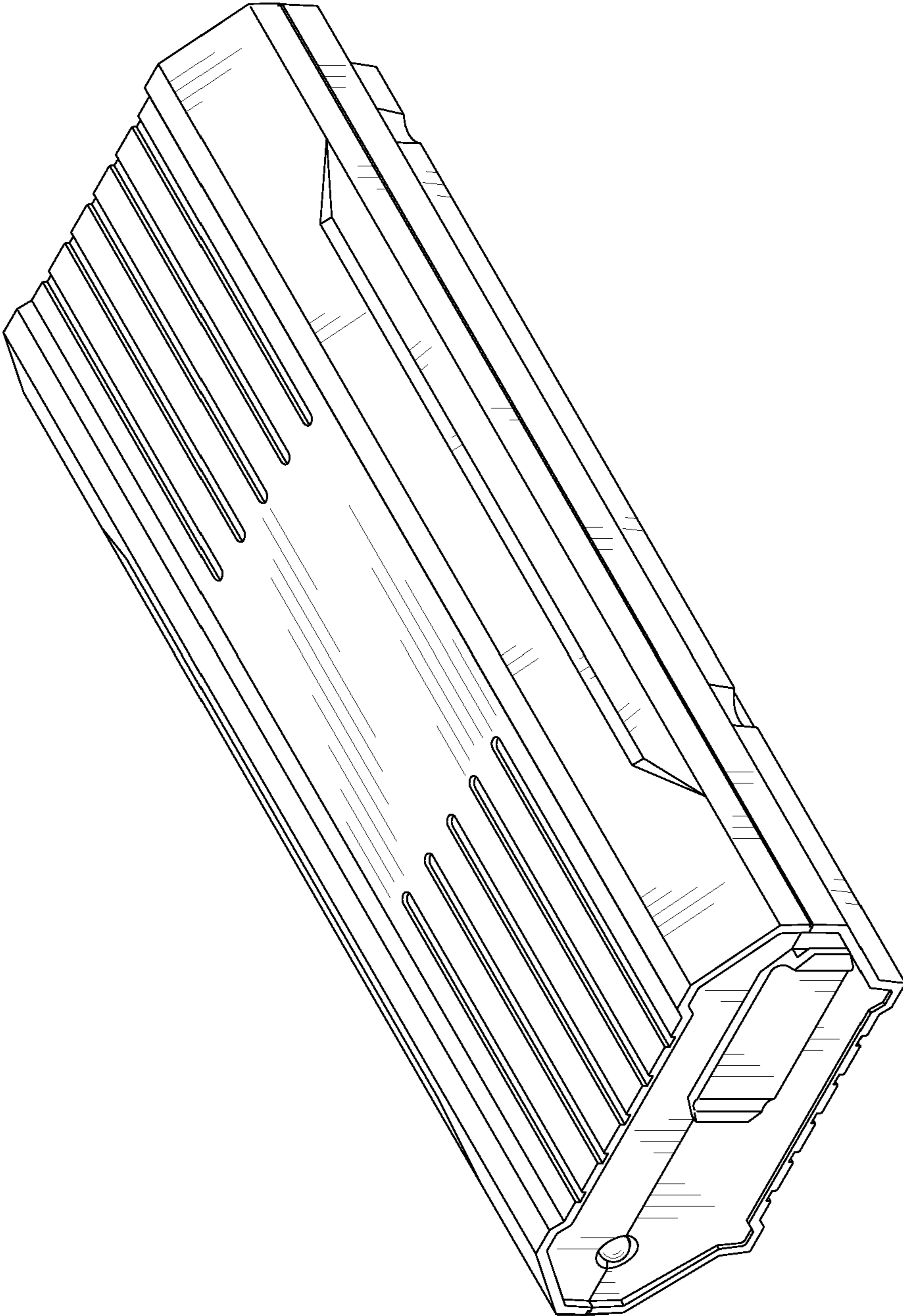


FIG. 1

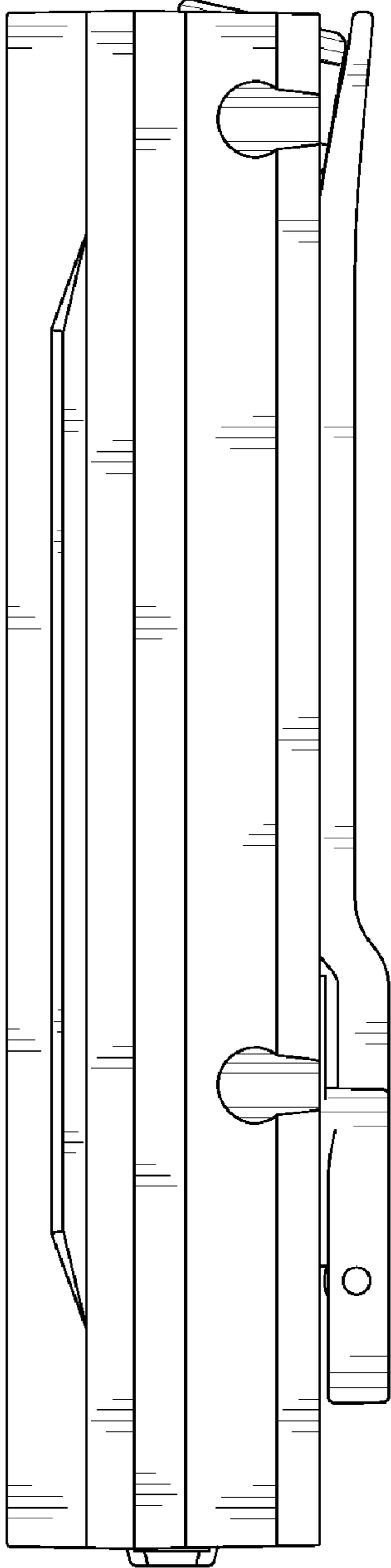


FIG. 2

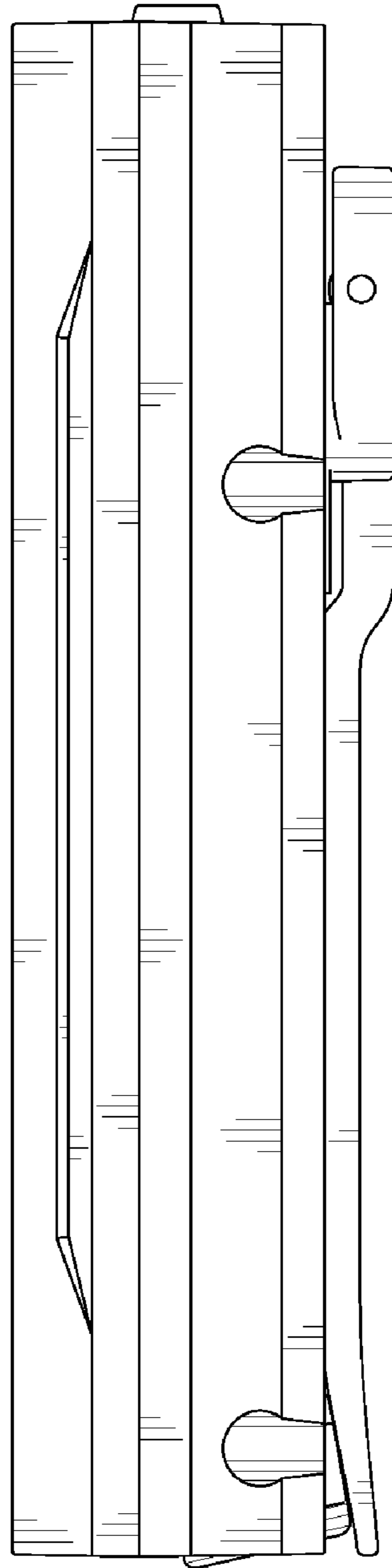


FIG. 3

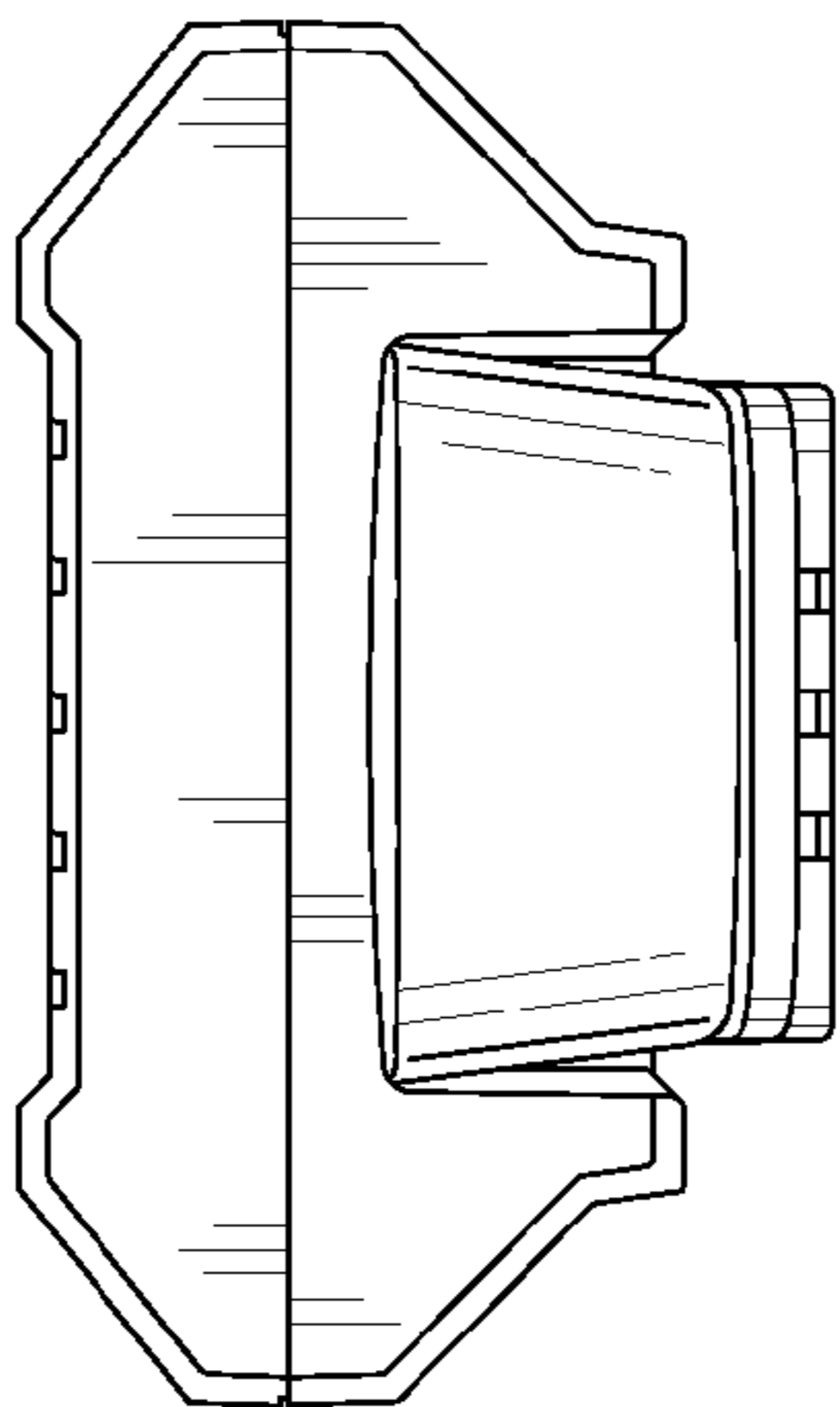


FIG. 5

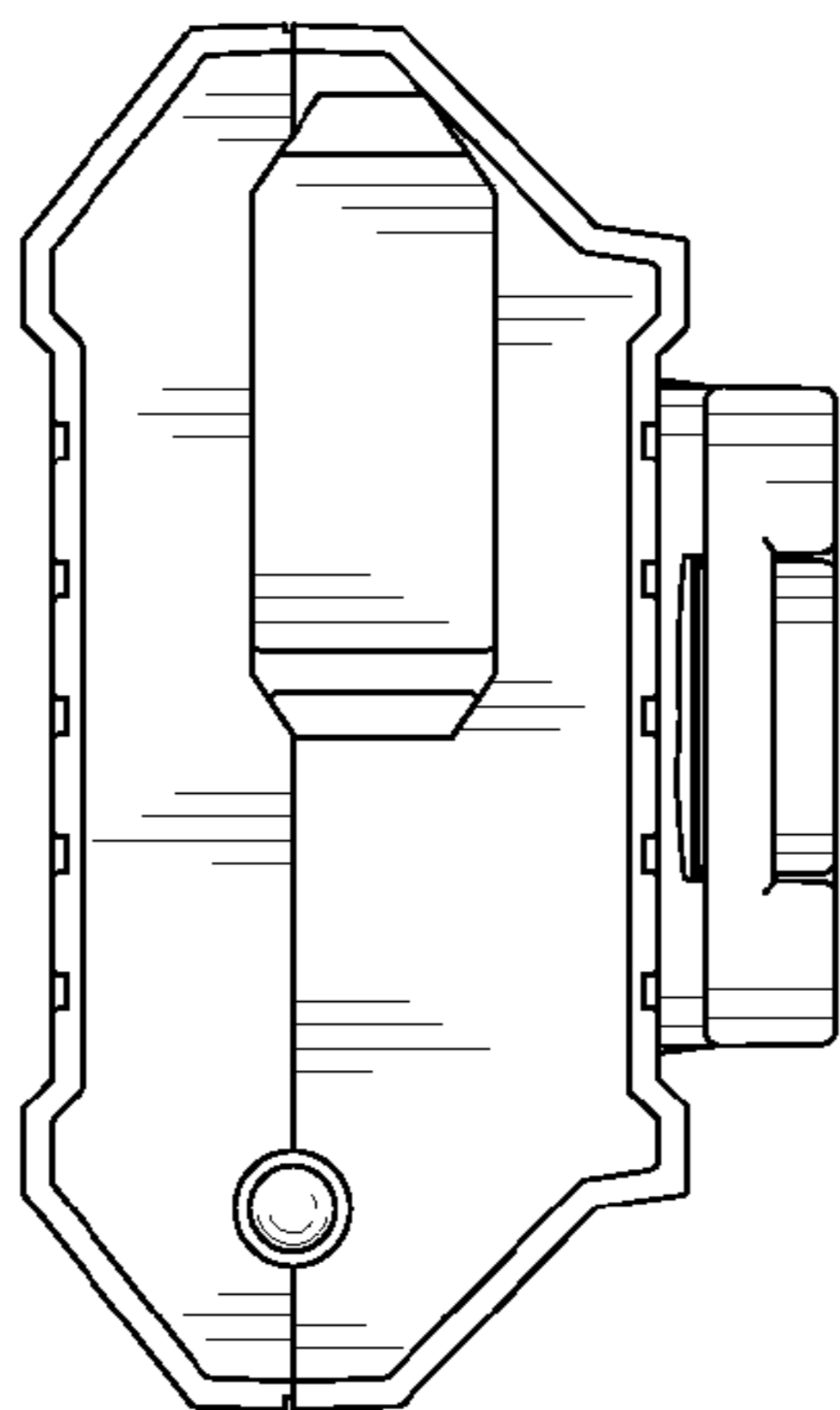


FIG. 4

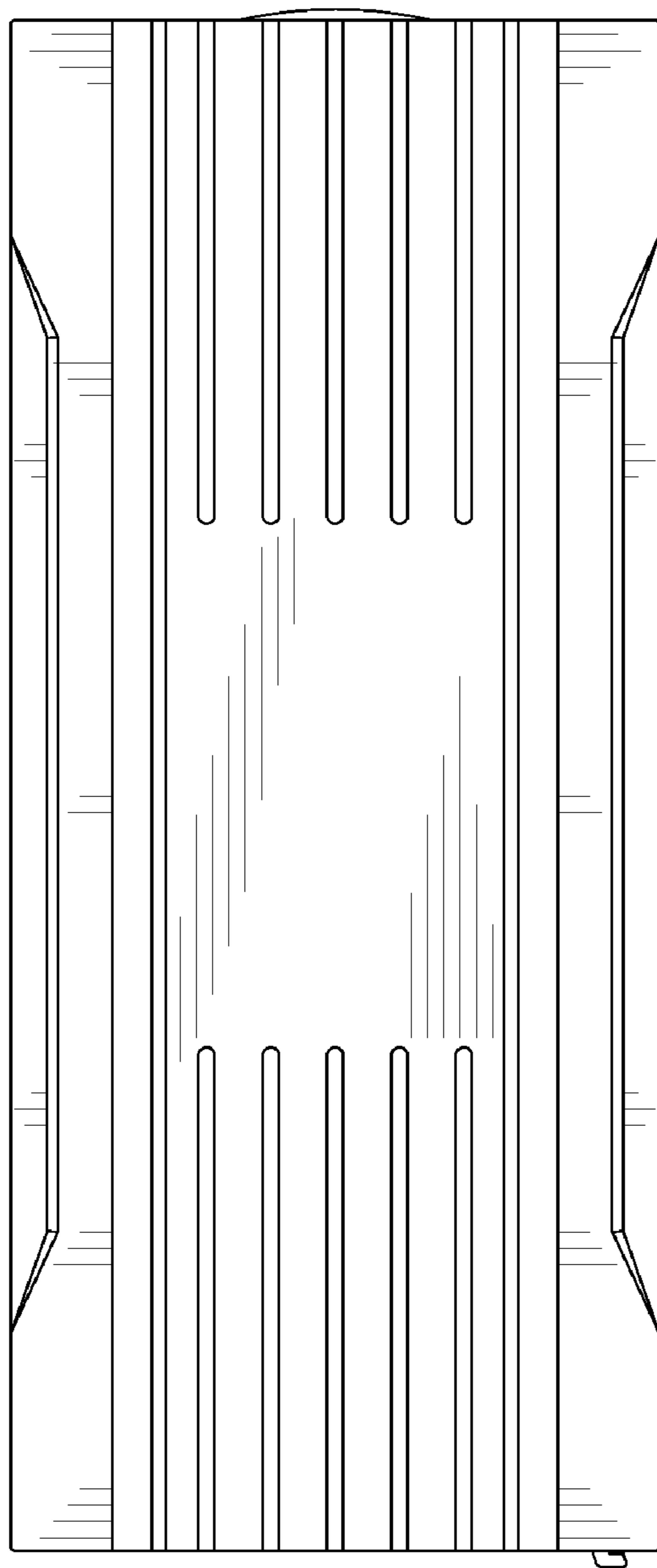


FIG. 6

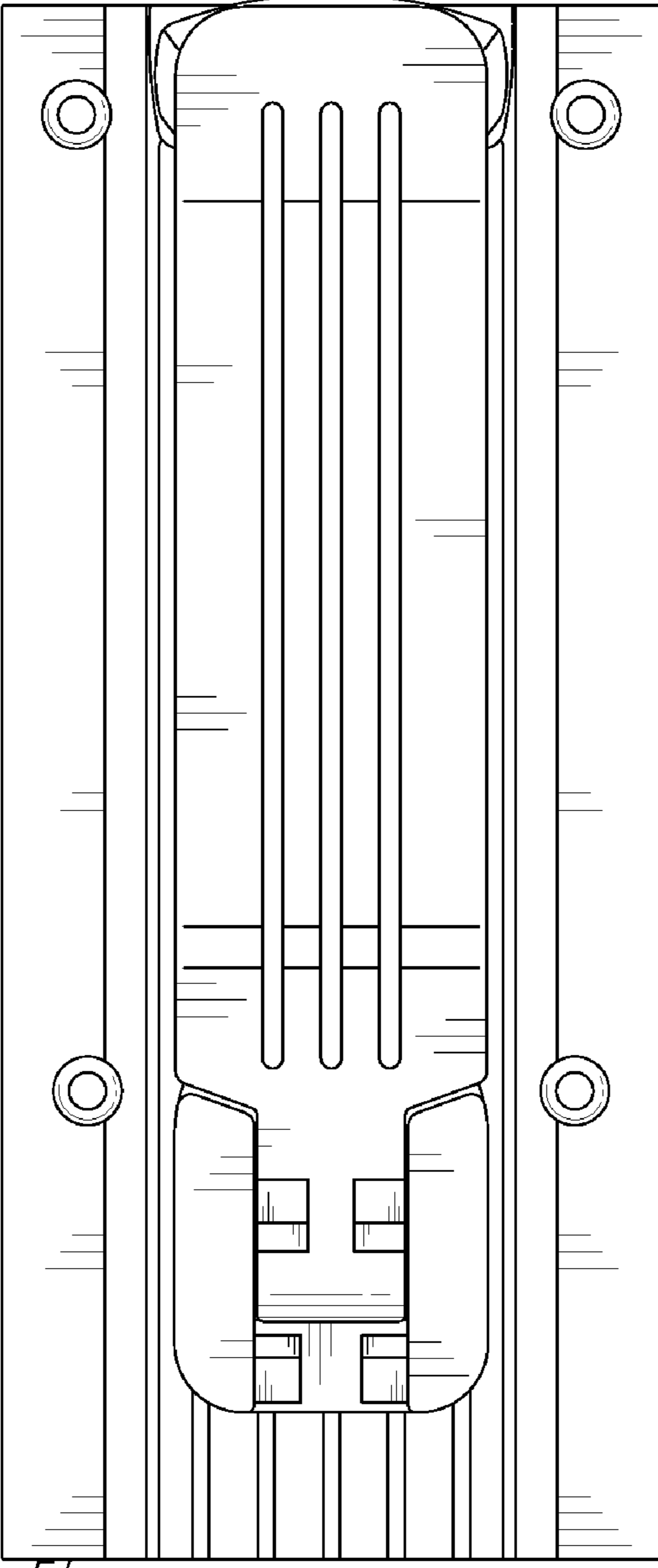


FIG. 7

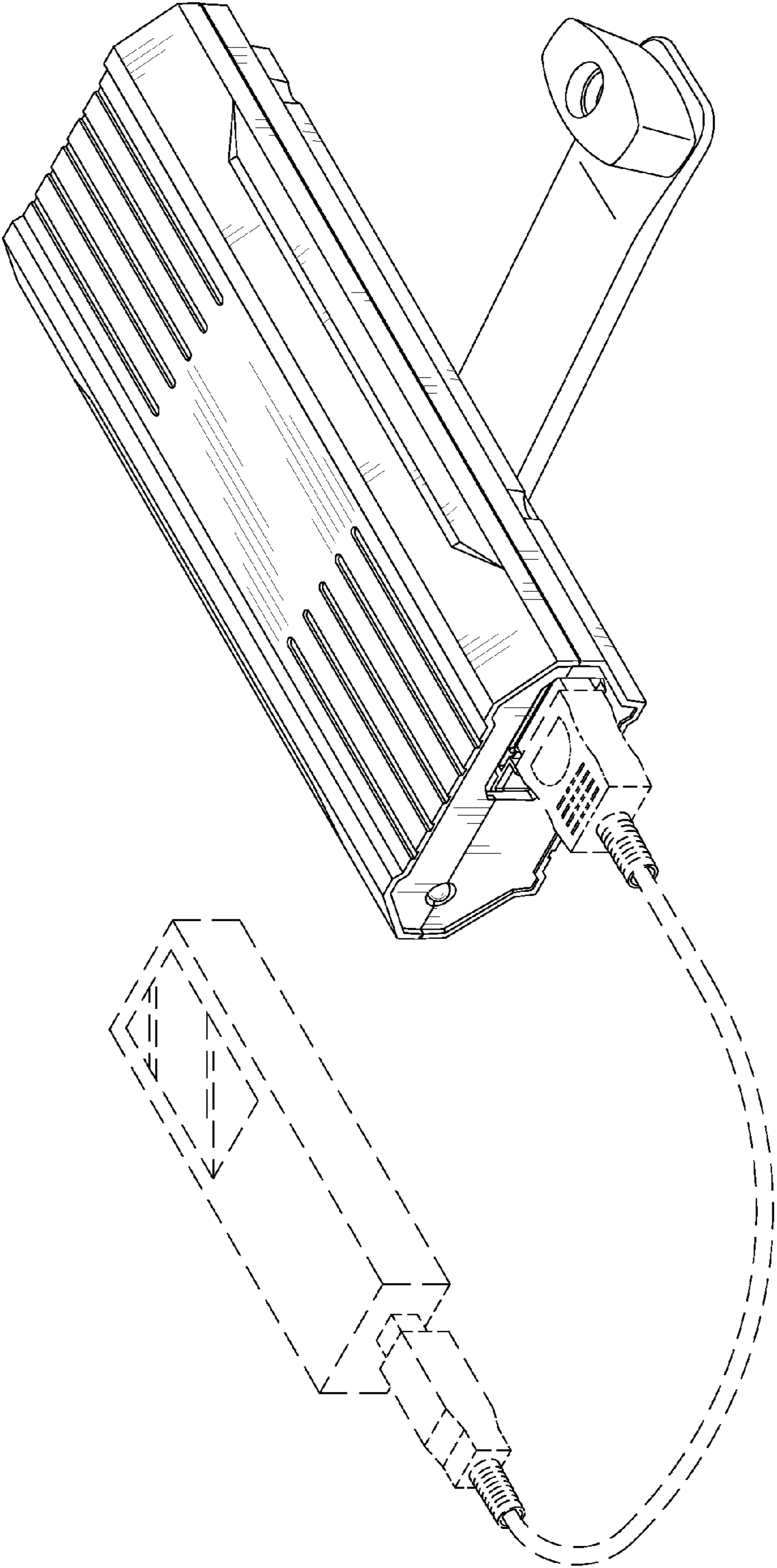


FIG. 8