



US00D571716S

(12) **United States Design Patent**  
**Anderson**

(10) **Patent No.:** **US D571,716 S**  
(45) **Date of Patent:** **\*\* Jun. 24, 2008**

- (54) **SOLAR ARRAY FOR A LUMINAIRE**
- (75) Inventor: **Eric Anderson**, Red Lion, PA (US)
- (73) Assignee: **Genlyte Thomas Group, LLC**,  
Louisville, KY (US)
- (\*\*) Term: **14 Years**
- (21) Appl. No.: **29/297,075**
- (22) Filed: **Nov. 2, 2007**
- (51) **LOC (8) Cl.** ..... **13-02**
- (52) **U.S. Cl.** ..... **D13/102; D26/113; D26/68**
- (58) **Field of Classification Search** ..... **D13/102;**  
**D26/113, 67-71; 136/251; 362/183, 431**  
See application file for complete search history.

4,760,511 A	7/1988	Russello et al.	
5,068,769 A	11/1991	Umeda et al.	
5,232,518 A *	8/1993	Nath et al.	136/251
5,309,341 A	5/1994	Russello et al.	
5,339,234 A	8/1994	Russello et al.	
5,613,766 A	3/1997	Raouf	
5,642,934 A	7/1997	Haddad	
5,647,659 A	7/1997	Mori	
5,803,585 A	9/1998	Littman et al.	
D404,842 S *	1/1999	Hurst	D26/68
5,906,431 A	5/1999	Chianale et al.	
D425,013 S *	5/2000	Lai	D13/102
6,128,868 A *	10/2000	Ohtsuka et al.	136/251
D442,139 S *	5/2001	Sasaoka	D13/102
6,290,376 B1	9/2001	Gutierrez et al.	
7,244,050 B2	7/2007	Summerford et al.	
7,296,914 B1	11/2007	Russello et al.	
2006/0090789 A1 *	5/2006	Thompson	136/251

\* cited by examiner

(56) **References Cited**  
U.S. PATENT DOCUMENTS

1,633,837 A	6/1927	Youtz	
2,166,394 A	7/1939	Crossley	
D181,287 S *	10/1957	Gilfry	D26/51
3,251,987 A	5/1966	Wince	
3,340,393 A	9/1967	Frank et al.	
3,388,246 A	6/1968	Bailey	
3,448,260 A	6/1969	Wince et al.	
3,505,515 A	4/1970	Adra	
3,604,916 A	9/1971	Adra	
4,090,210 A	5/1978	Wehling et al.	
4,143,413 A	3/1979	Kelly	
4,212,050 A	7/1980	Trenkler	
4,319,313 A	3/1982	Eberhart et al.	
4,333,131 A	6/1982	Hujimoto et al.	
4,462,068 A	7/1984	Shadwick	
4,473,873 A	9/1984	Quiogue	
4,527,224 A	7/1985	Sangiomo et al.	
4,587,602 A	5/1986	Dean et al.	
4,590,544 A	5/1986	Decandia	
4,623,956 A	11/1986	Conti	
4,636,579 A *	1/1987	Hanak et al.	D13/102

*Primary Examiner*—Clare E Heflin  
(74) *Attorney, Agent, or Firm*—John F. Salazar; Middleton Reutlinger

(57) **CLAIM**

The ornamental design for a solar array for a luminaire, as shown and described.

**DESCRIPTION**

FIG. 1 is a front view of a solar array for a luminaire showing the design;

FIG. 2 is a right side view thereof, the left side view being a mirror image of the right side view and thus is omitted;

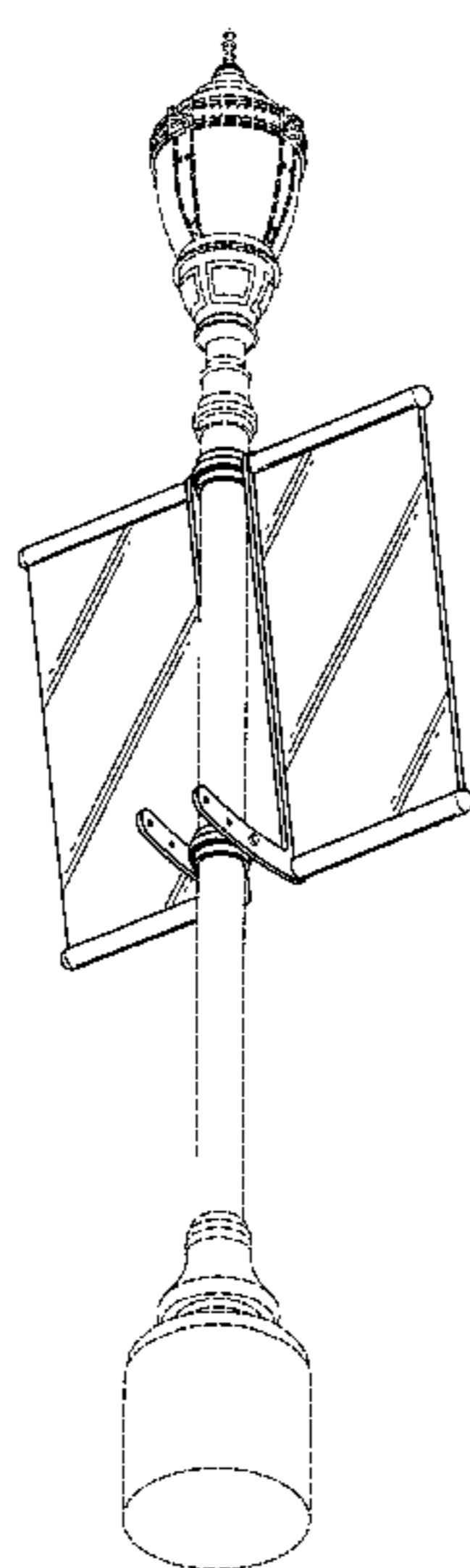
FIG. 3 is a rear view thereof;

FIG. 4 is a top view thereof; and,

FIG. 5 is a bottom perspective view thereof.

The broken lines shown are for illustrative purposes only and form no part of the claimed design.

**1 Claim, 5 Drawing Sheets**



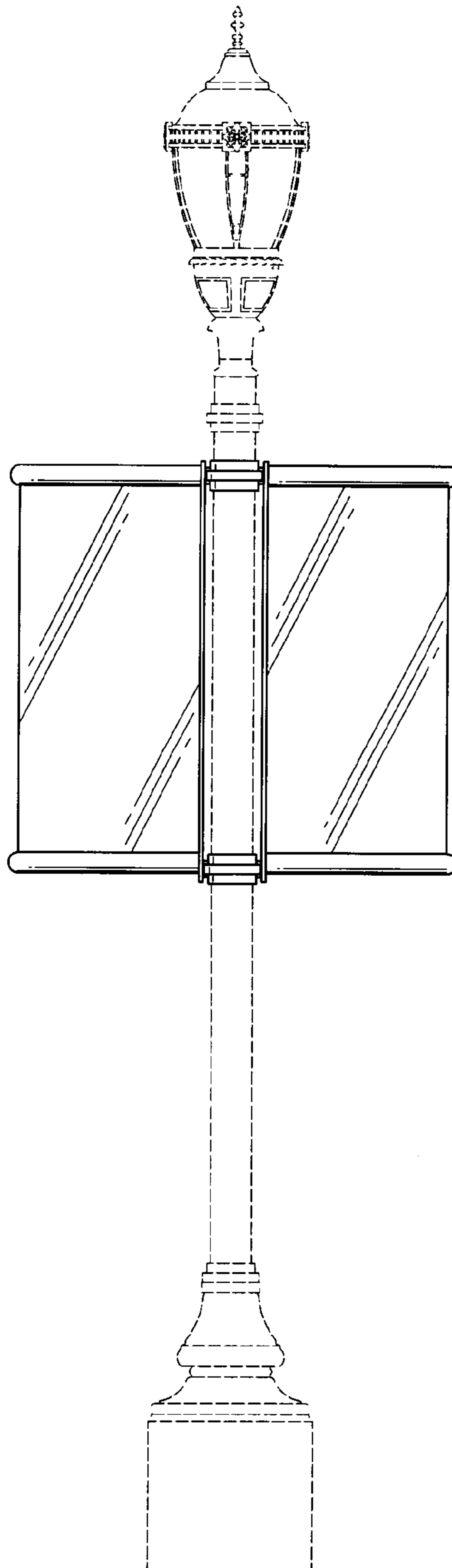


FIG. 1

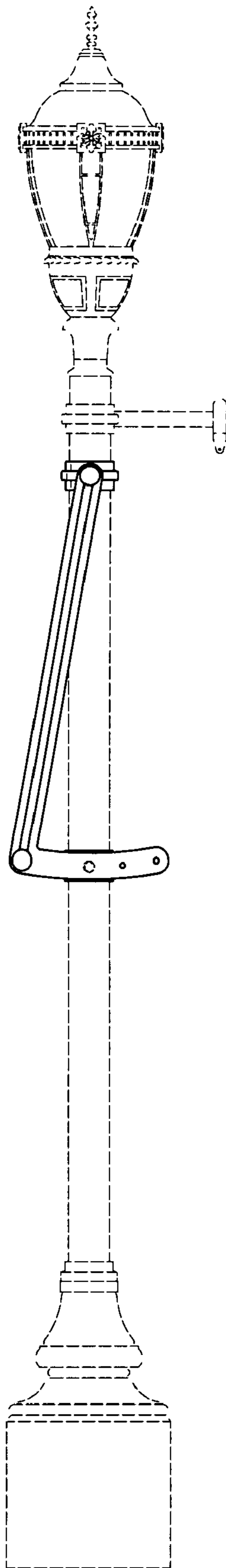


FIG. 2

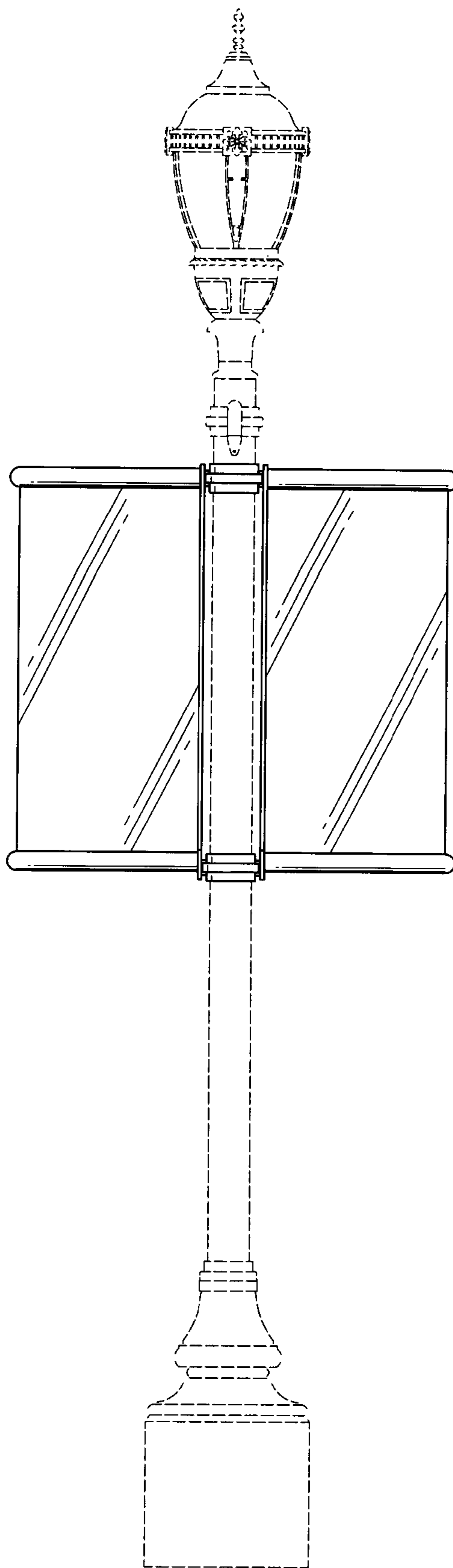


FIG. 3

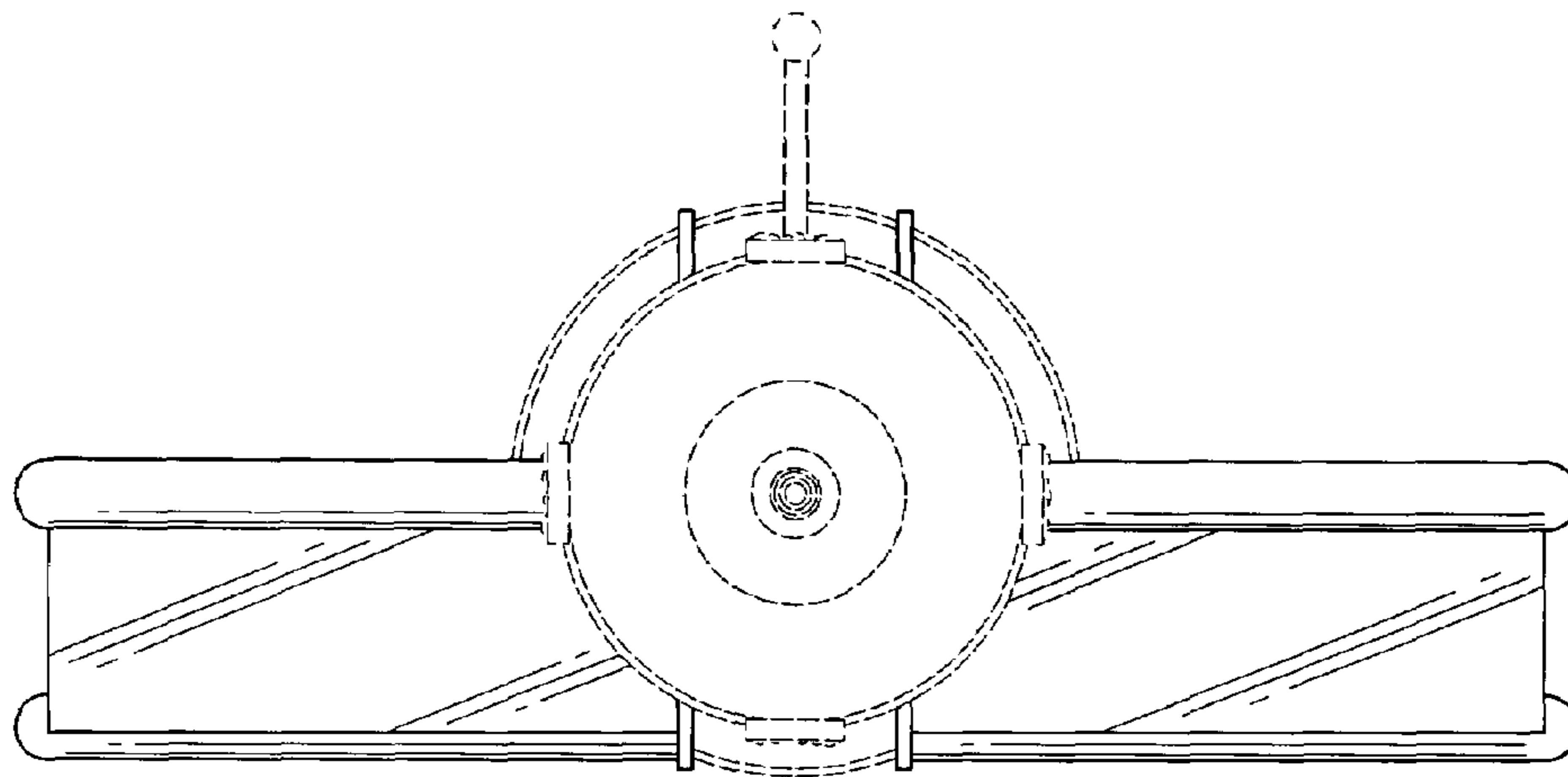


FIG. 4

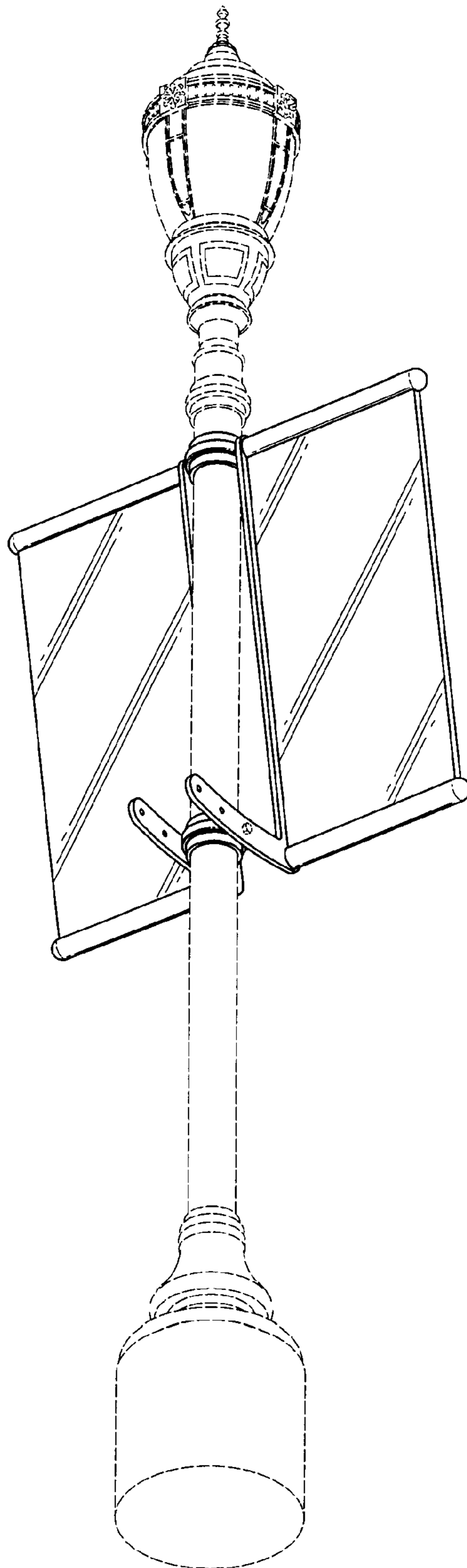


FIG. 5