



US00D571708S

(12) **United States Design Patent**
Wai

(10) **Patent No.:** **US D571,708 S**
(45) **Date of Patent:** **** Jun. 24, 2008**

(54) **PLANE**

(75) Inventor: **Chi Pok Billy Wai**, Quarry Bay (HK)

(73) Assignee: **Silverlit Toys Manufactory, Ltd.**, Hong Kong (HK)

(**) Term: **14 Years**

(21) Appl. No.: **29/277,118**

(22) Filed: **Feb. 14, 2007**

(30) **Foreign Application Priority Data**

Sep. 12, 2006 (HK) 0602370.1M002

(51) **LOC (8) Cl.** **12-07**

(52) **U.S. Cl.** **D12/319**

(58) **Field of Classification Search** D12/345,
D12/319; 244/17.27, 13, 45 R, 136
See application file for complete search history.

(56) **References Cited**

U.S. PATENT DOCUMENTS

D120,931 S * 6/1940 Holden et al. D12/331
D176,566 S * 1/1956 Souncy D12/331

D183,383 S * 8/1958 Projo de Asis D12/324
2,910,254 A * 10/1959 Razak 244/208
D234,350 S * 2/1975 Rudolph, Jr. D12/328
D267,868 S * 2/1983 Wilson D12/331
D286,871 S * 11/1986 Bunyard D12/324
7,258,302 B2 * 8/2007 Carr et al. 244/45 R

* cited by examiner

Primary Examiner—Ian Simmons

Assistant Examiner—Maurice Stevens

(74) *Attorney, Agent, or Firm*—Greenberg Traurig, LLP

(57) **CLAIM**

The ornamental design for a plane, as shown and described.

DESCRIPTION

FIG. 1 is a front view of a plane;

FIG. 2 is a rear view of the plane;

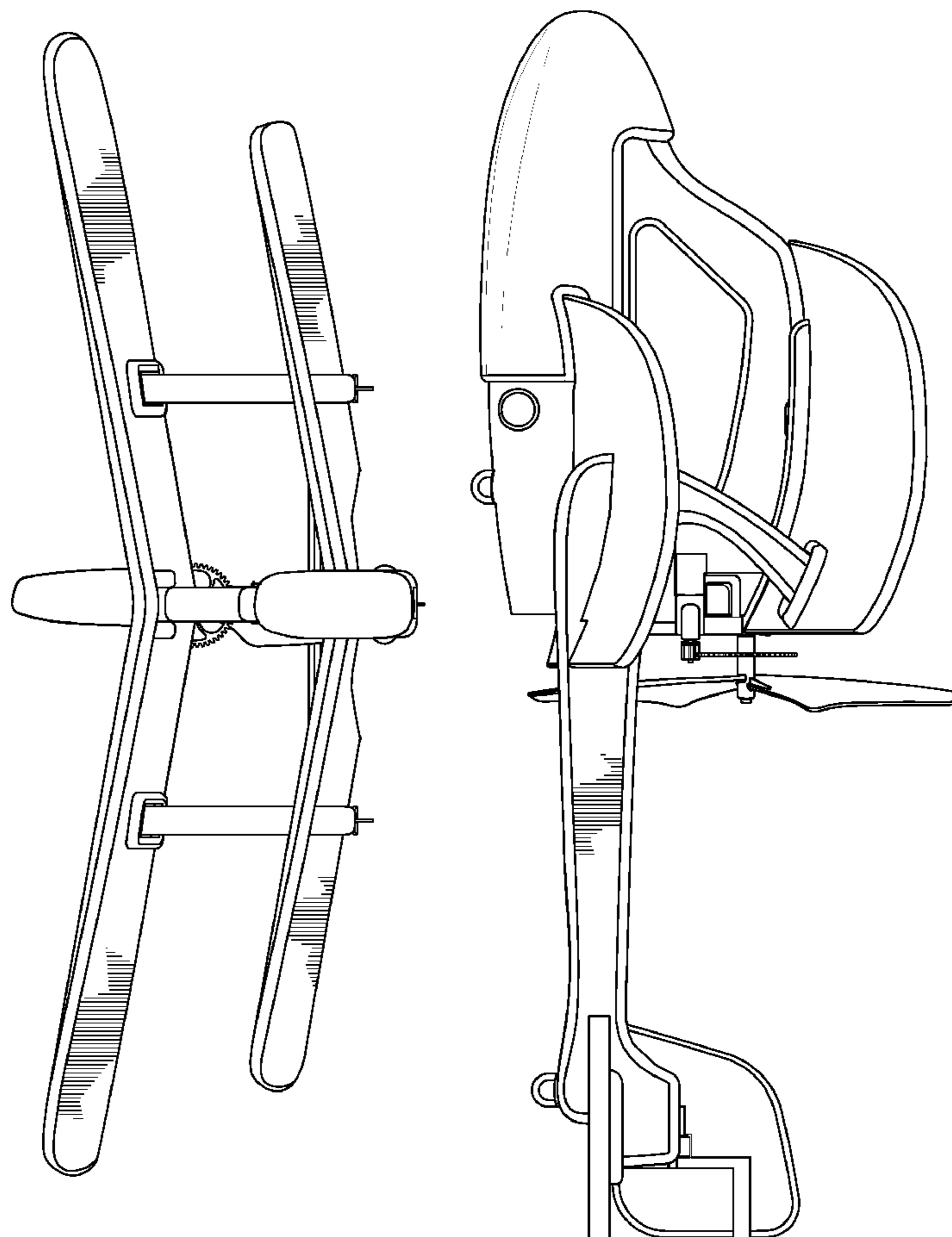
FIG. 3 is a right side view of the plane;

FIG. 4 is a left side view of the plane;

FIG. 5 is a top view of the plane; and,

FIG. 6 is a bottom view of the plane.

1 Claim, 6 Drawing Sheets



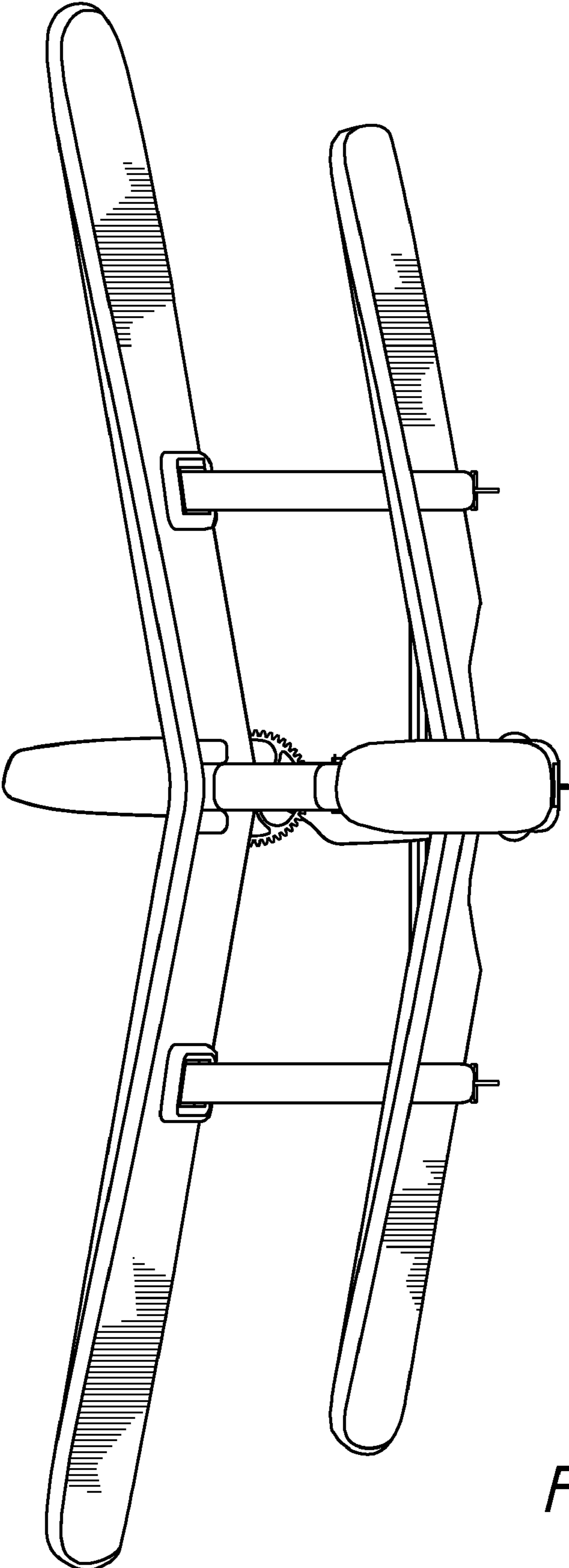


FIG. 1

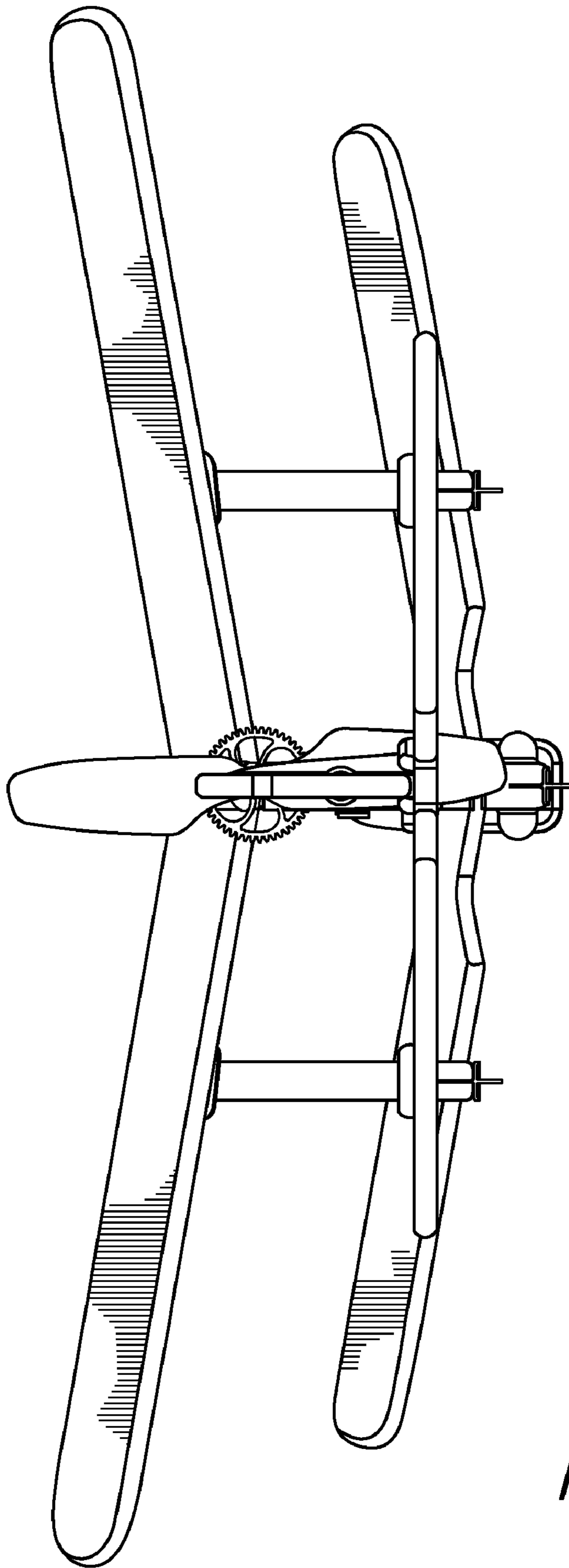


FIG. 2

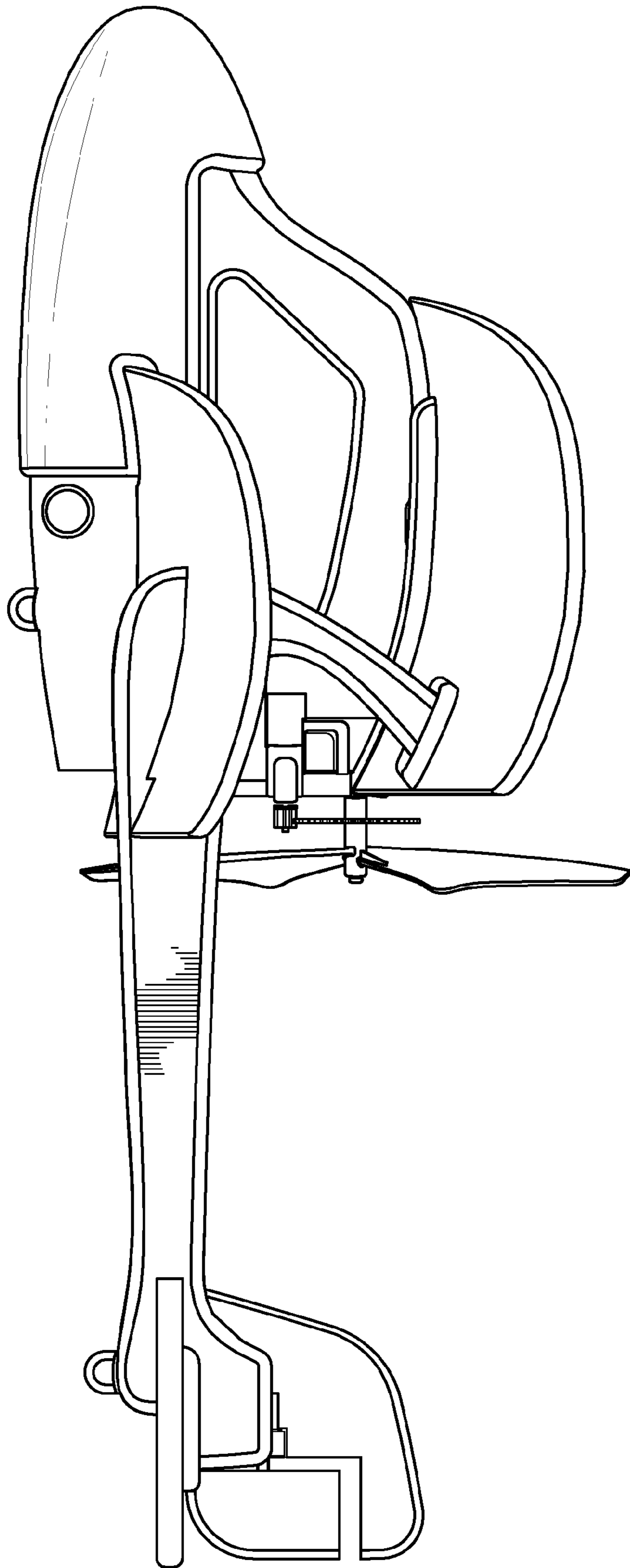


FIG. 3

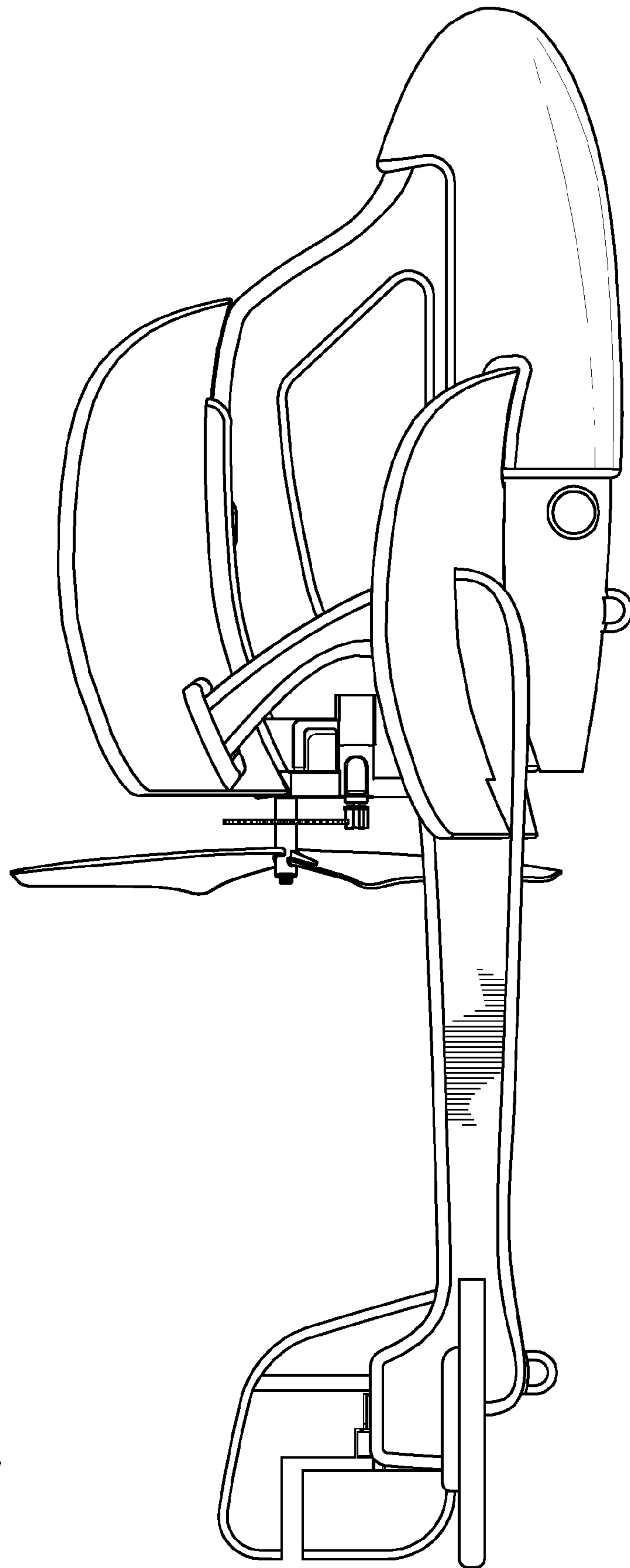


FIG. 4

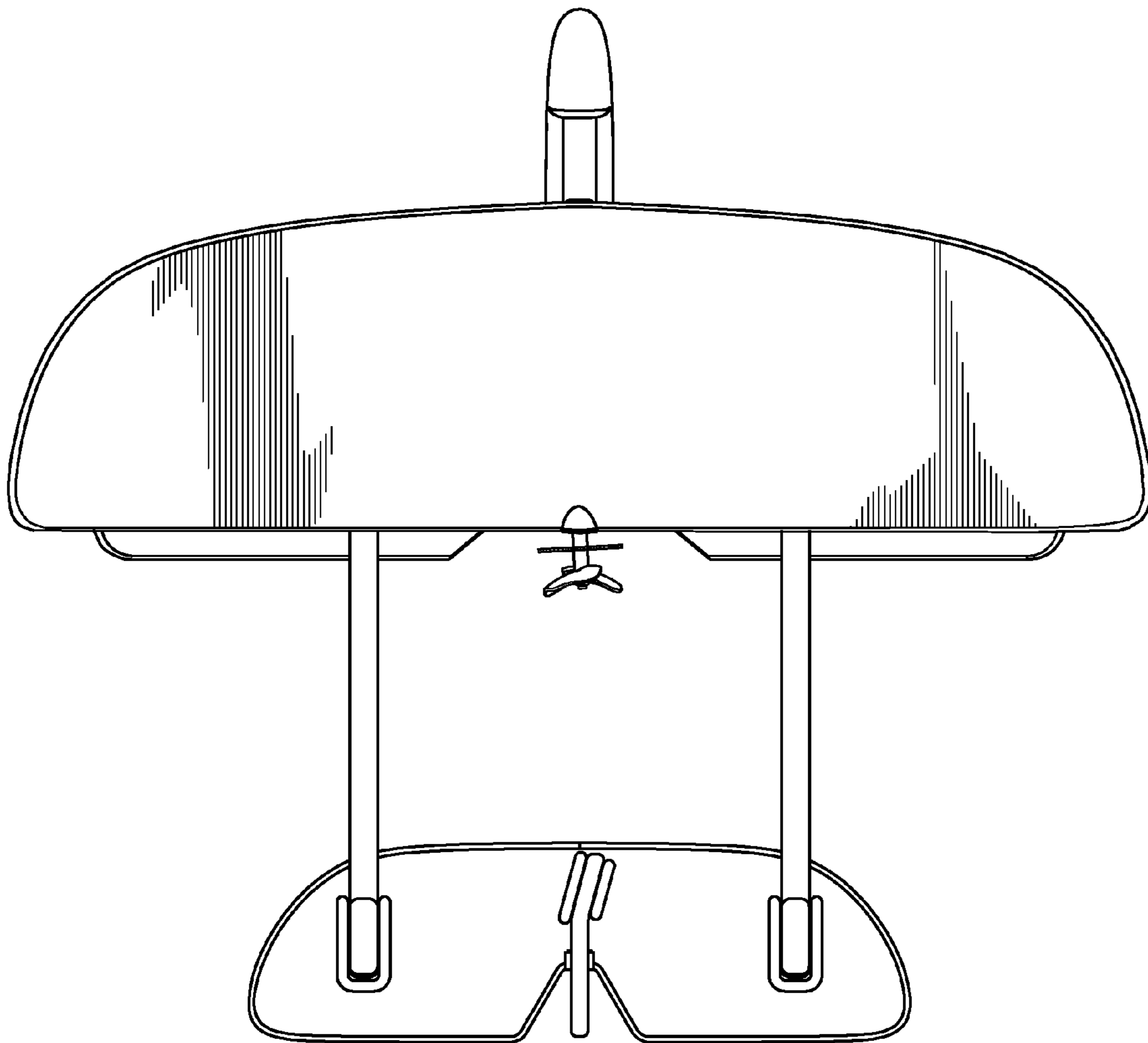


FIG. 5

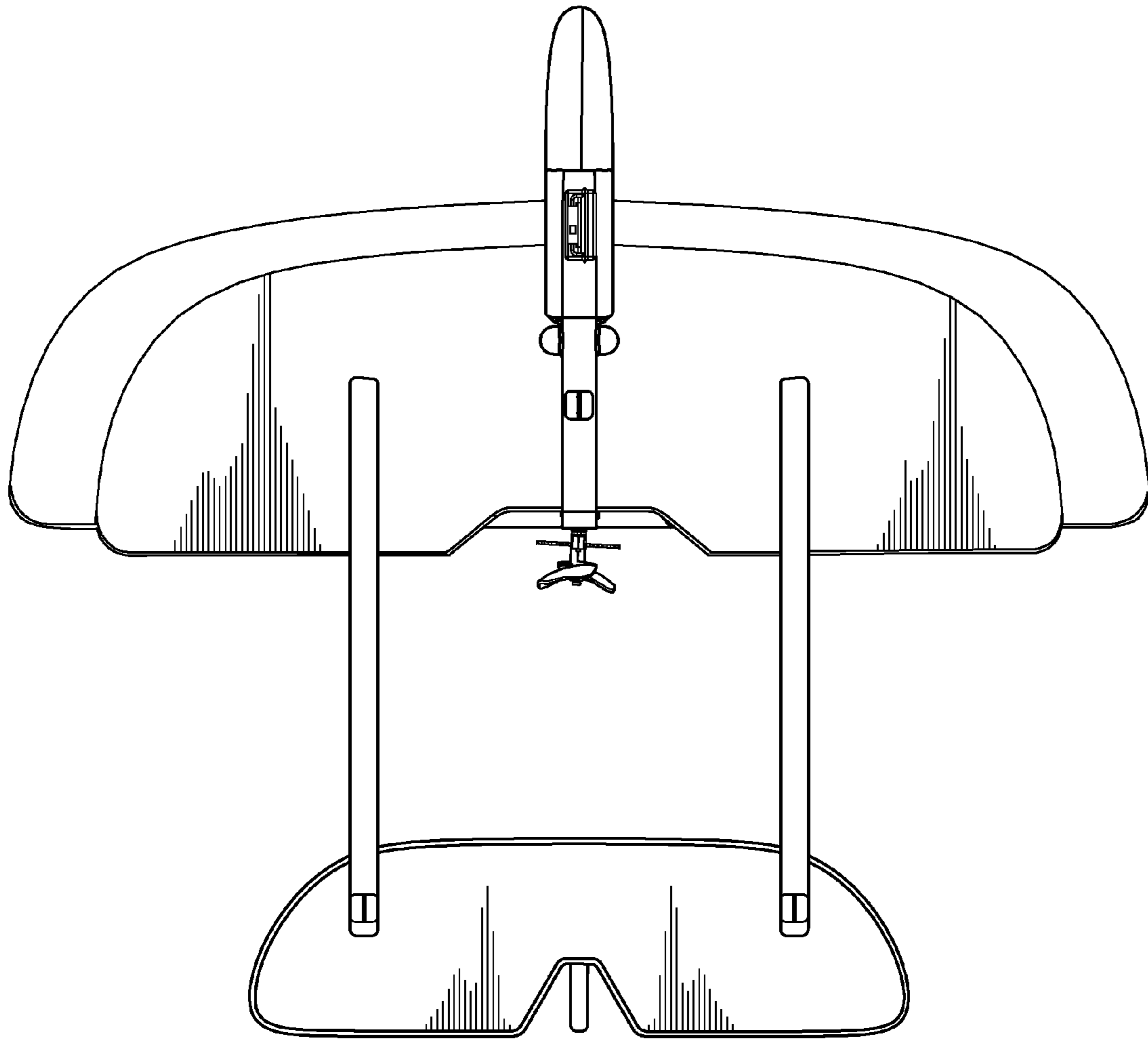


FIG. 6