



US00D571707S

(12) **United States Design Patent**
Croci

(10) **Patent No.:** **US D571,707 S**
(45) **Date of Patent:** **** Jun. 24, 2008**

(54) **SAILBOAT OF THE DRIFT-TYPE**
(76) **Inventor:** **Marco Croci**, Sallta al Castello 4 - Fraz.
San Terenzo, Lerici (LA Spezia) (IT)
19032

D229,635 S * 12/1973 Swilley D12/300
D238,566 S * 1/1976 Centaro D12/300
D307,573 S * 5/1990 Fuller D12/304
D416,851 S * 11/1999 Mitchell D12/303
D475,339 S * 6/2003 Rosenberg D12/303
D514,499 S * 2/2006 Valdes D12/303

(**) **Term:** **14 Years**

* cited by examiner

(21) **Appl. No.:** **29/289,884**

Primary Examiner—Holly H. Baynham

(22) **Filed:** **Aug. 6, 2007**

Assistant Examiner—Cynthia M Chin

(74) *Attorney, Agent, or Firm*—Bucknam & Archer

(30) **Foreign Application Priority Data**

(57) **CLAIM**

Feb. 6, 2007 (IT) MI2007O0030

The ornamental design for a sailboat of the drift-type, as shown and described.

(51) **LOC (8) Cl.** **12-06**

(52) **U.S. Cl.** **D12/303**

(58) **Field of Classification Search** D12/300,
D12/302–304, 310–314, 316, 317; 114/39.11–39.15,
114/39.21–39.32, 61.1–61.22, 6.32, 355–358,
114/288–290

DESCRIPTION

FIG. 1 is a left side perspective view of my design for a sailboat of the drift-type;

See application file for complete search history.

FIG. 2 is a front top perspective view thereof;

FIG. 3 is a right side perspective view thereof;

FIG. 4 is a front perspective view thereof; and,

FIG. 5 is a rear elevational view thereof.

(56) **References Cited**

U.S. PATENT DOCUMENTS

D202,455 S * 9/1965 Greene D12/300

D222,510 S * 10/1971 Palmer D12/300

1 Claim, 2 Drawing Sheets

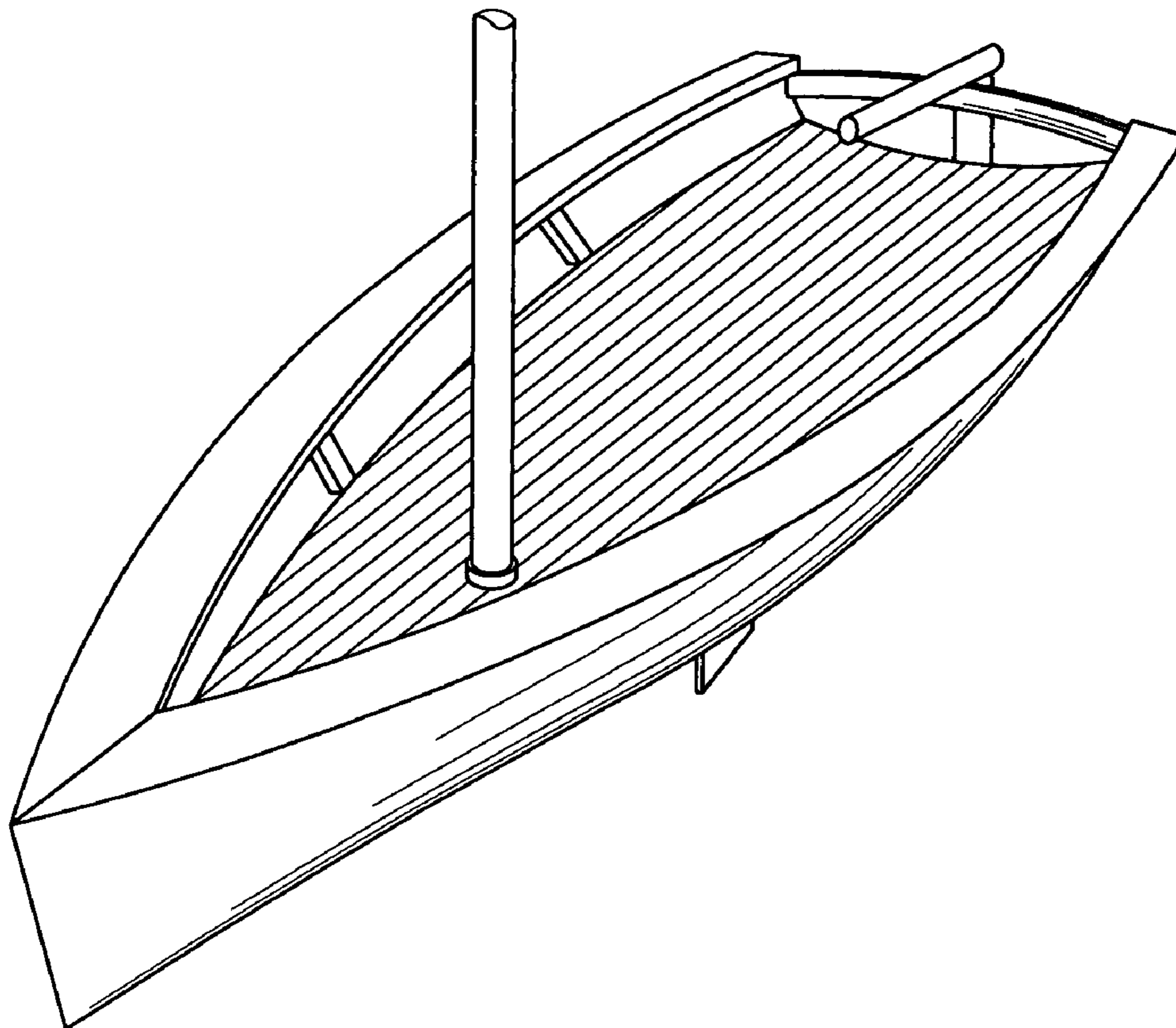


Fig. 1

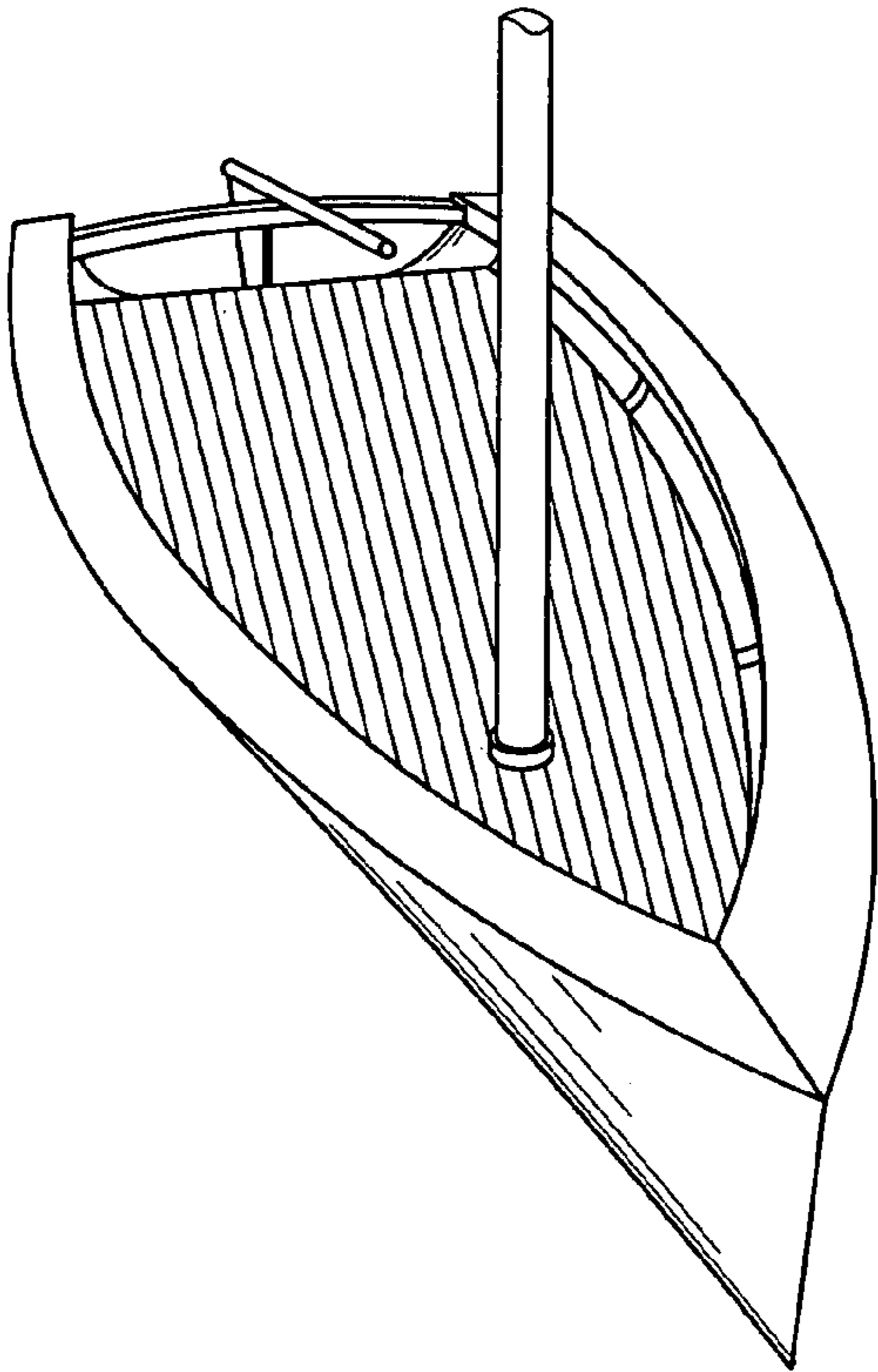
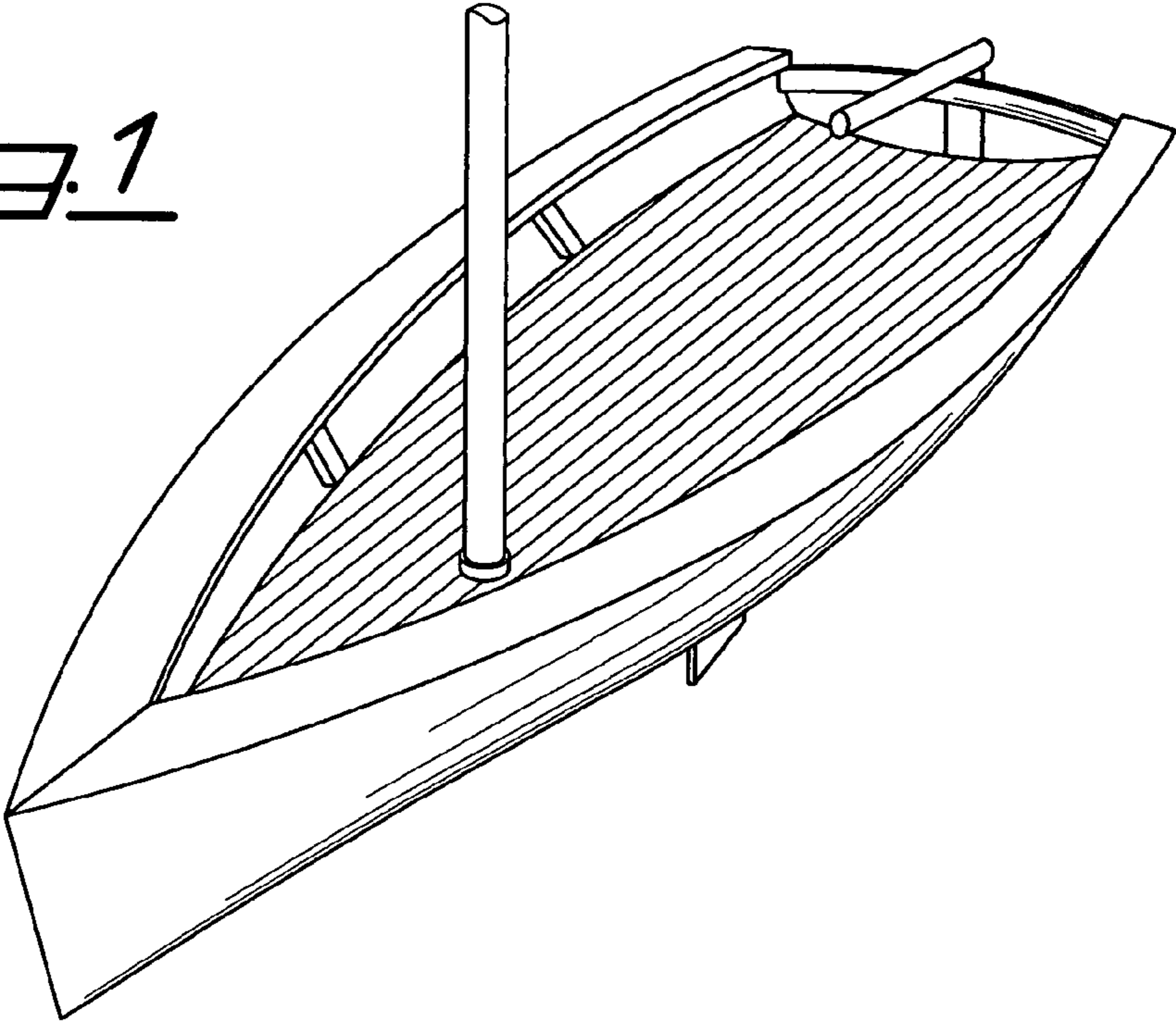


Fig. 2

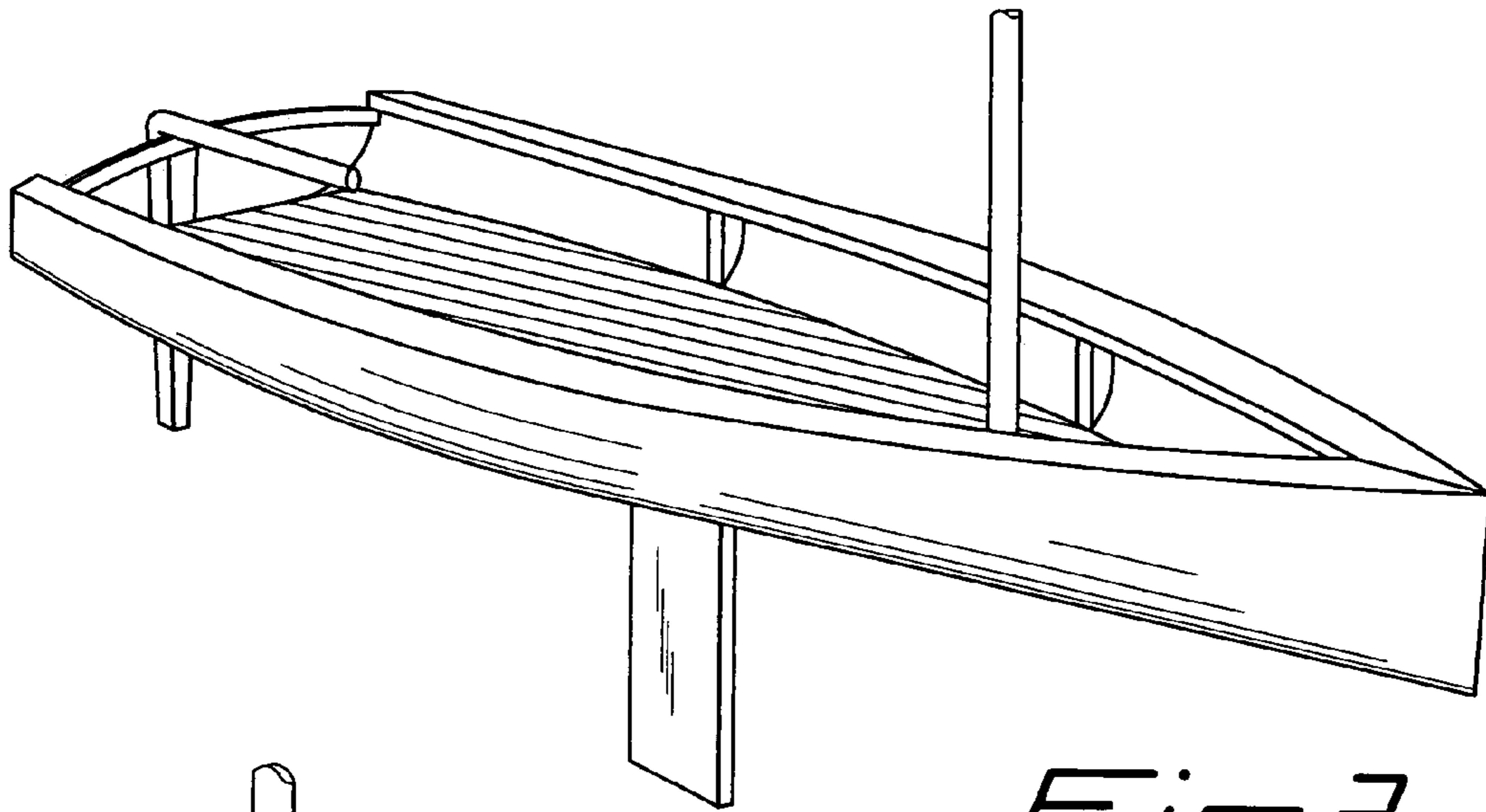


Fig. 3

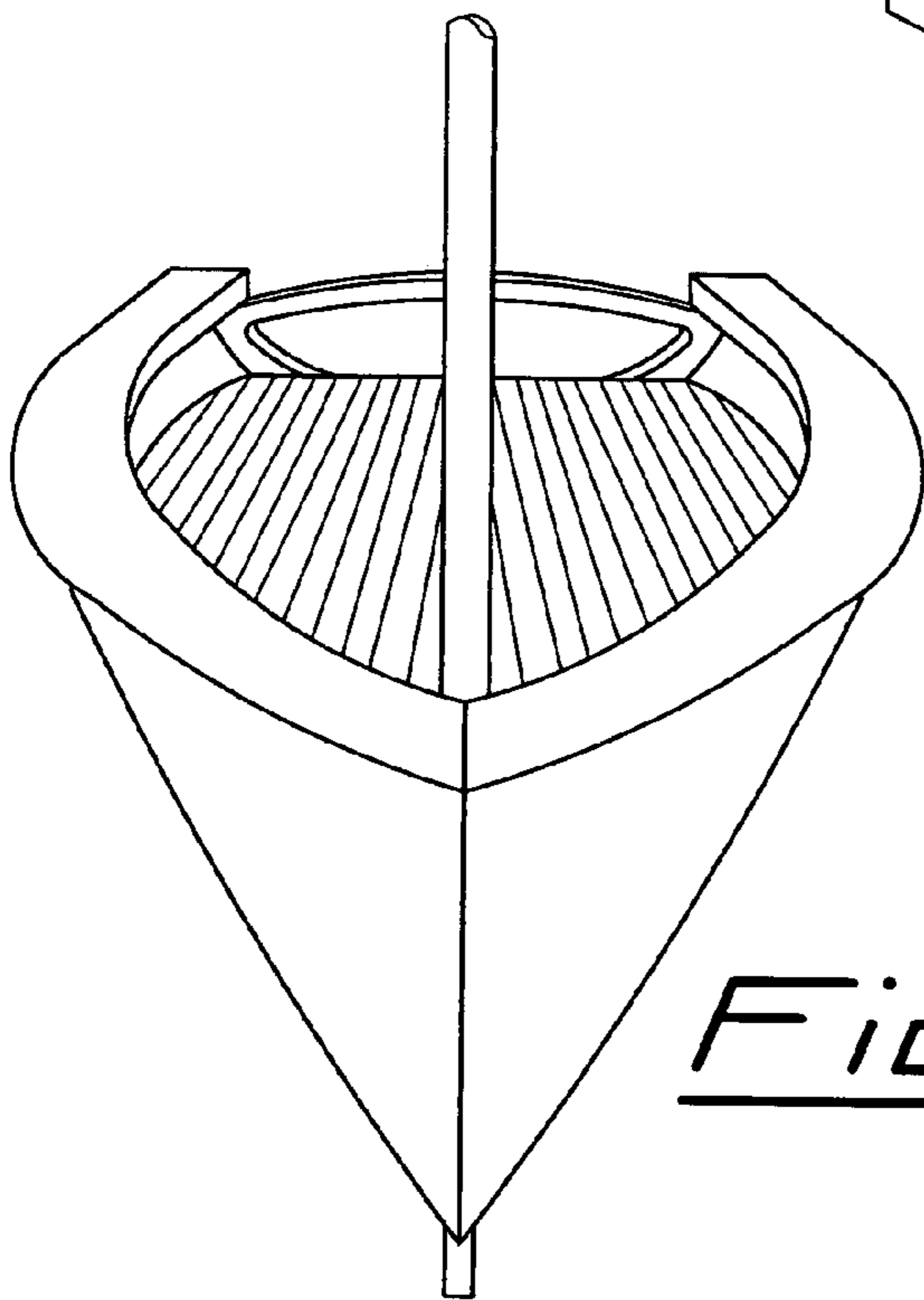


Fig. 4

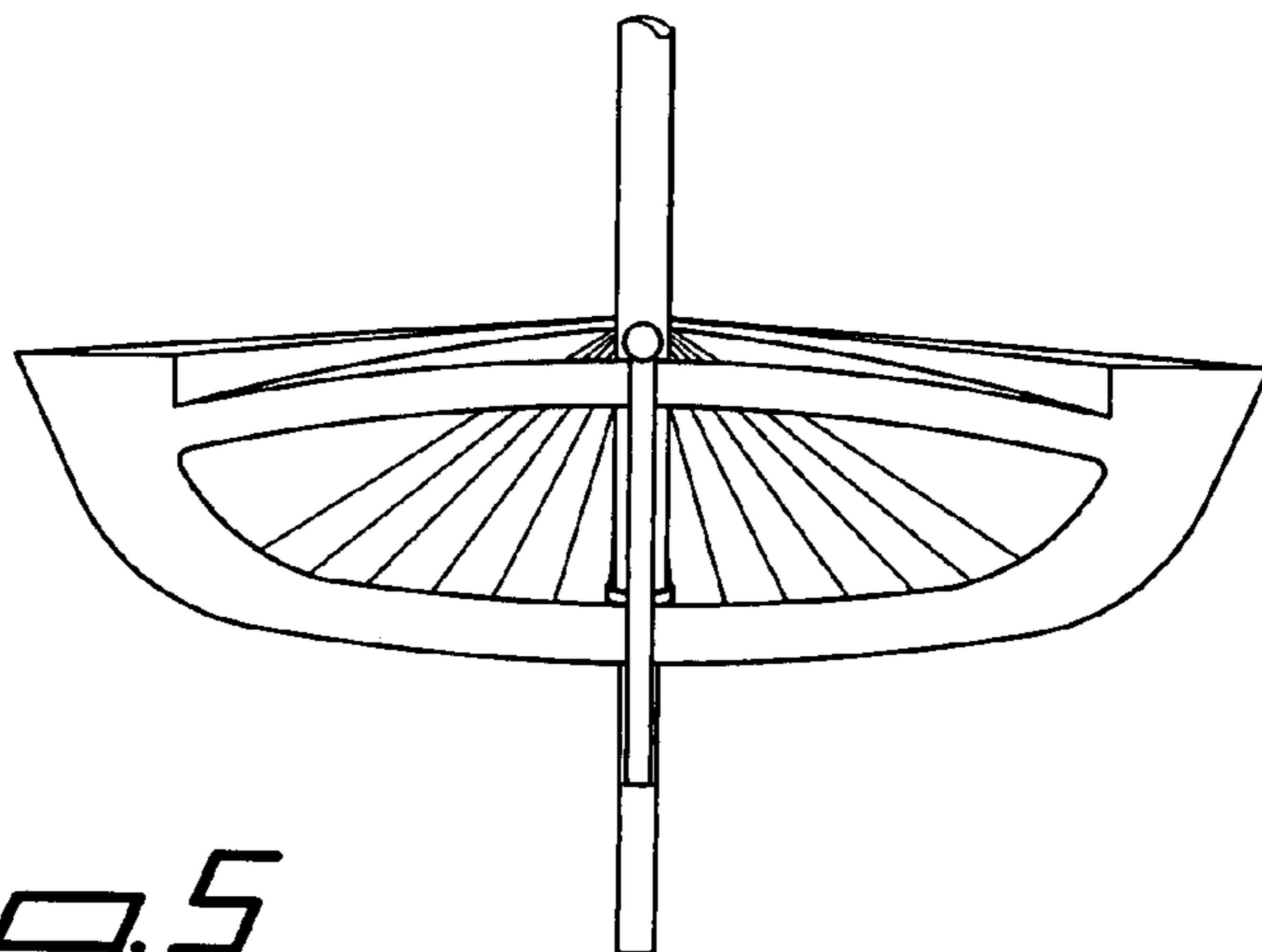


Fig. 5