



US00D571705S

(12) **United States Design Patent**
Machida et al.

(10) **Patent No.:** **US D571,705 S**
(45) **Date of Patent:** **** Jun. 24, 2008**

(54) **WINDSHIELD WIPER**

(75) Inventors: **Ken Machida**, Kiryu (JP); **Masaru Fujiwara**, Kiryu (JP); **Jun Abe**, Kiryu (JP)

(73) Assignee: **Mitsuba Corporation**, Gunma (JP)

(**) Term: **14 Years**

(21) Appl. No.: **29/232,722**

(22) Filed: **Jun. 23, 2005**

(30) **Foreign Application Priority Data**

Dec. 24, 2004	(JP)	2004-039622
Dec. 24, 2004	(JP)	2004-039623
Dec. 24, 2004	(JP)	2004-039626
Dec. 24, 2004	(JP)	2004-039627

(51) **LOC (8) Cl.** **12-06**

(52) **U.S. Cl.** **D12/219**

(58) **Field of Classification Search** D12/219-220;
15/250.31-250.33, 250.351, 250.38, 250.4,
15/250.41-44, 250.201, 250.451-250.458,
15/250.48, 250.04, 250.07, 250.44
See application file for complete search history.

(56) **References Cited**

U.S. PATENT DOCUMENTS

D236,337 S	*	8/1975	Deibel	D12/219
D443,854 S		6/2001	De Block		
D457,479 S	*	5/2002	De Block et al.	D12/219

D511,735 S	*	11/2005	Aoyama et al.	D12/219
D524,223 S	*	7/2006	Nakano et al.	D12/219
D549,151 S	*	8/2007	Janssis et al.	D12/219
D552,025 S		10/2007	Kim		
D556,116 S		11/2007	Kim		

* cited by examiner

Primary Examiner—Stacia Cadmus

(74) *Attorney, Agent, or Firm*—McCormick, Paulding & Huber LLP

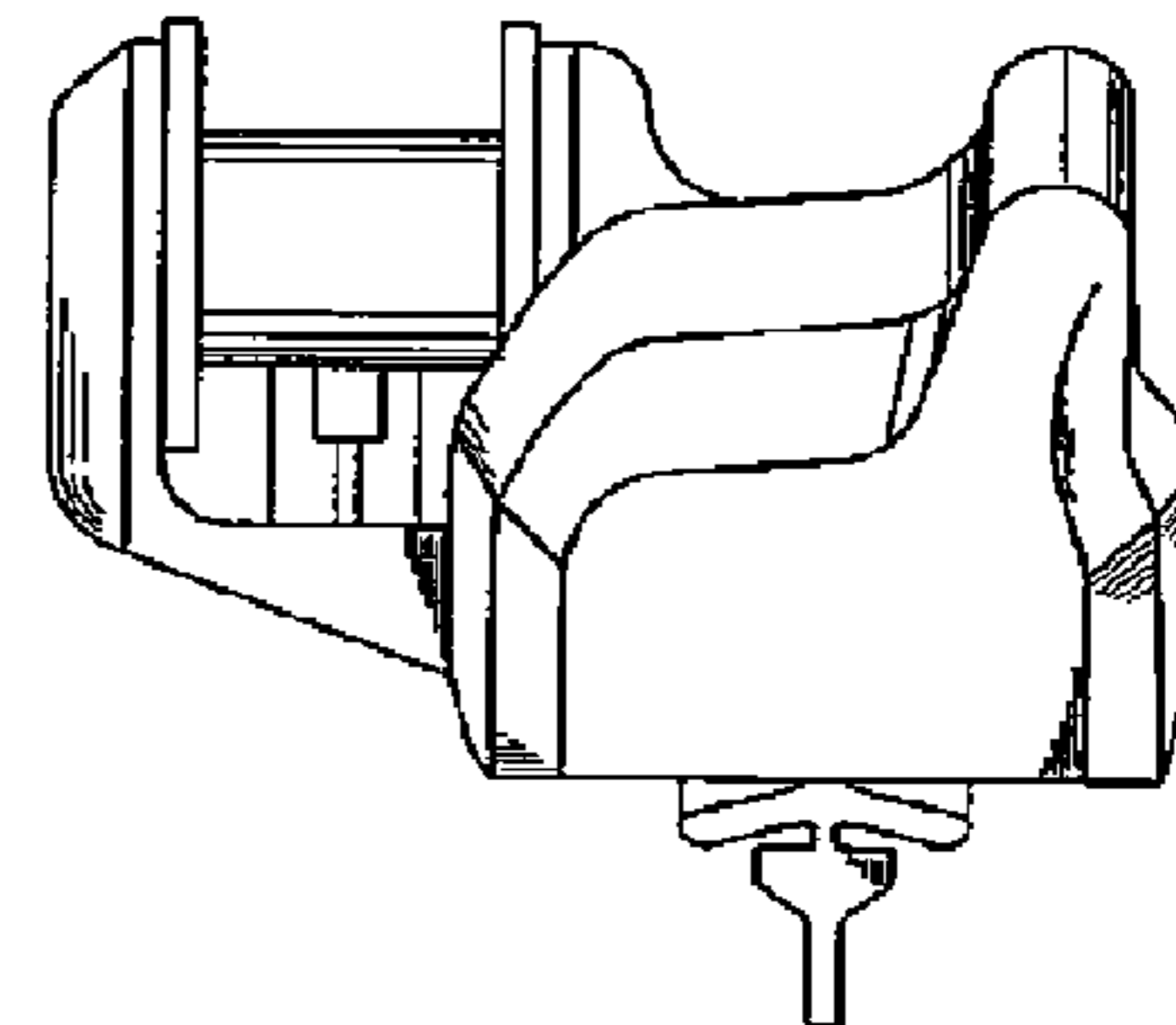
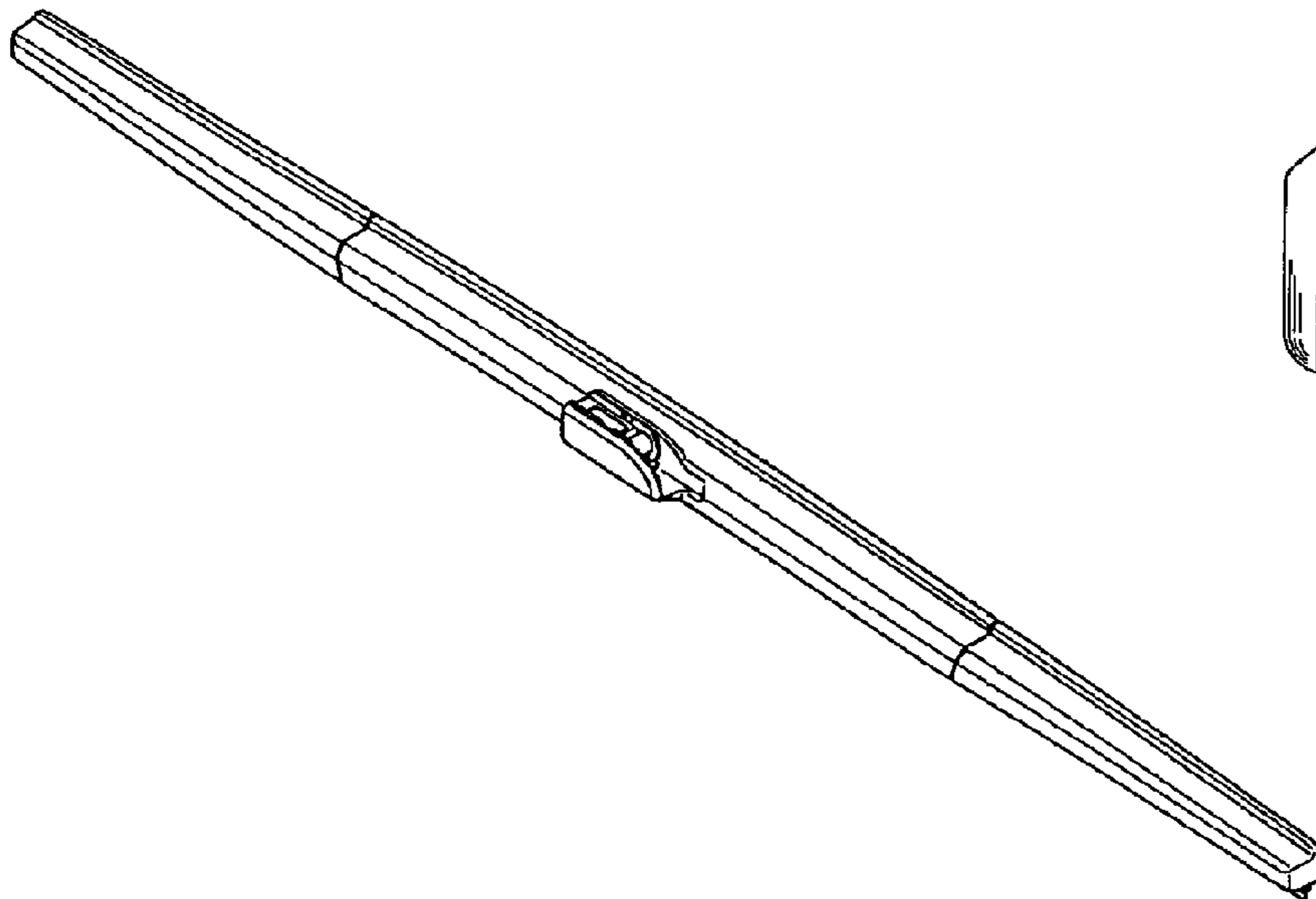
(57) **CLAIM**

The ornamental design for a windshield wiper, as shown and described.

DESCRIPTION

FIG. 1 is a perspective view of an embodiment of the windshield wiper showing our new design;
FIG. 2 is a front view thereof;
FIG. 3 is a rear view thereof;
FIG. 4 is a top plan view thereof;
FIG. 5 is a bottom plan view thereof;
FIG. 6 is a left side view thereof;
FIG. 7 is a right side view thereof;
FIG. 8 is an enlarged left side view thereof;
FIG. 9 is an enlarged right side view thereof; and,
FIG. 10 is an enlarged view of a part indicated at line 10 of FIG. 2 of the windshield wiper.

1 Claim, 6 Drawing Sheets



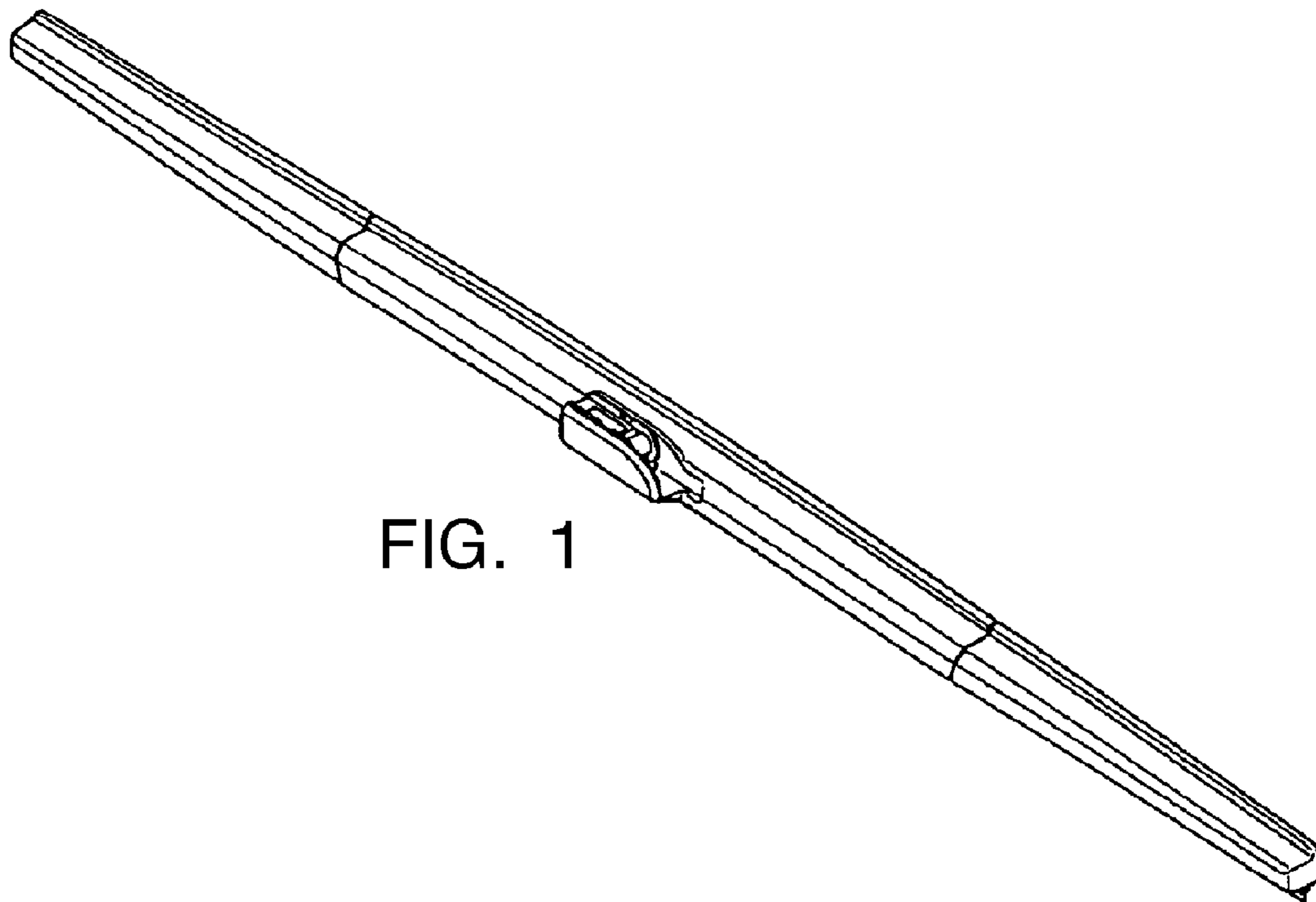


FIG. 1

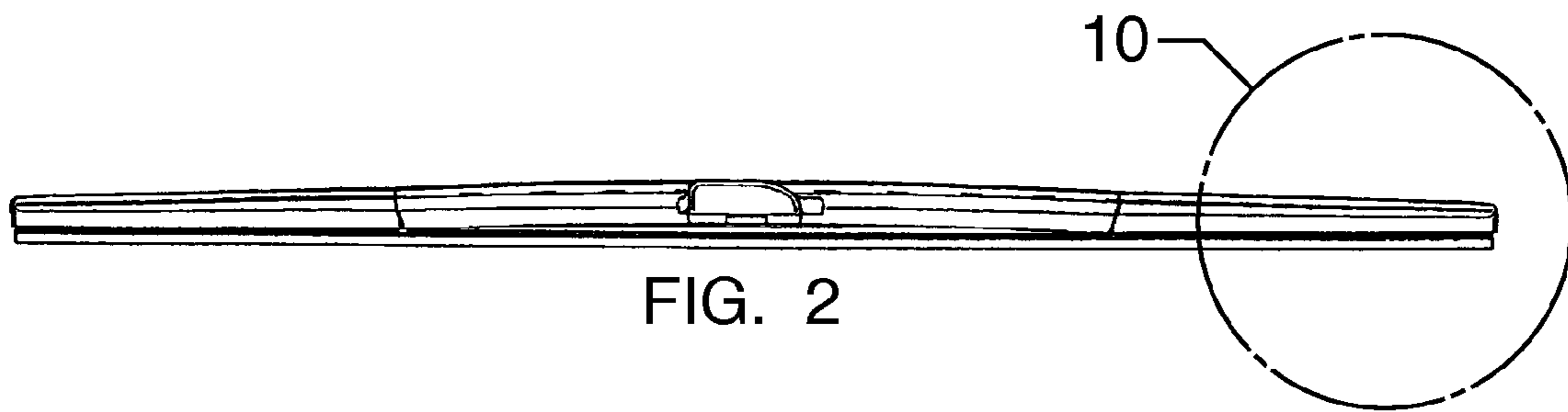


FIG. 2

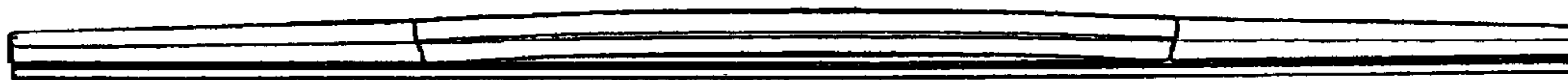


FIG. 3



FIG. 4



FIG. 5



FIG. 6



FIG. 7

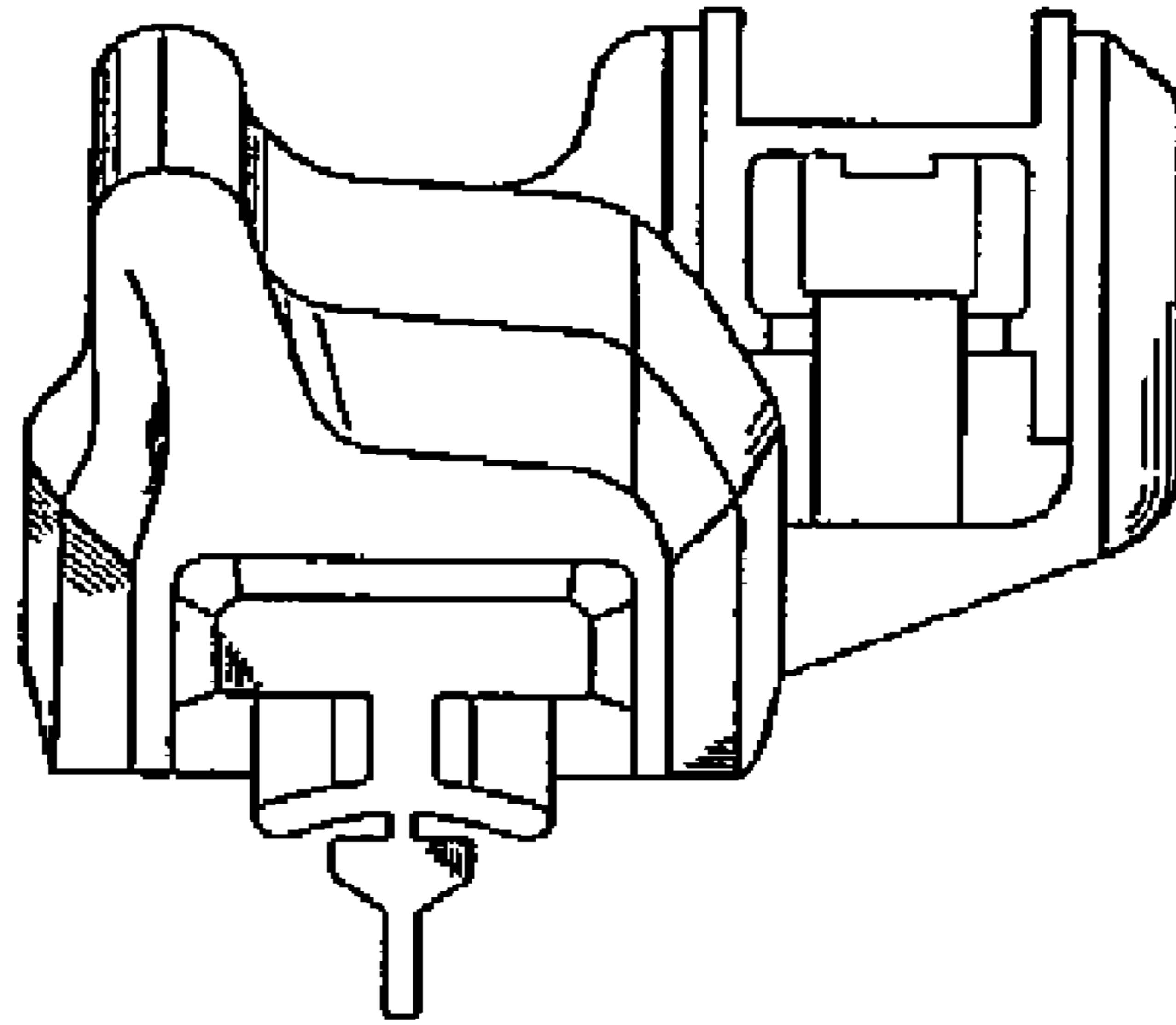


FIG. 8

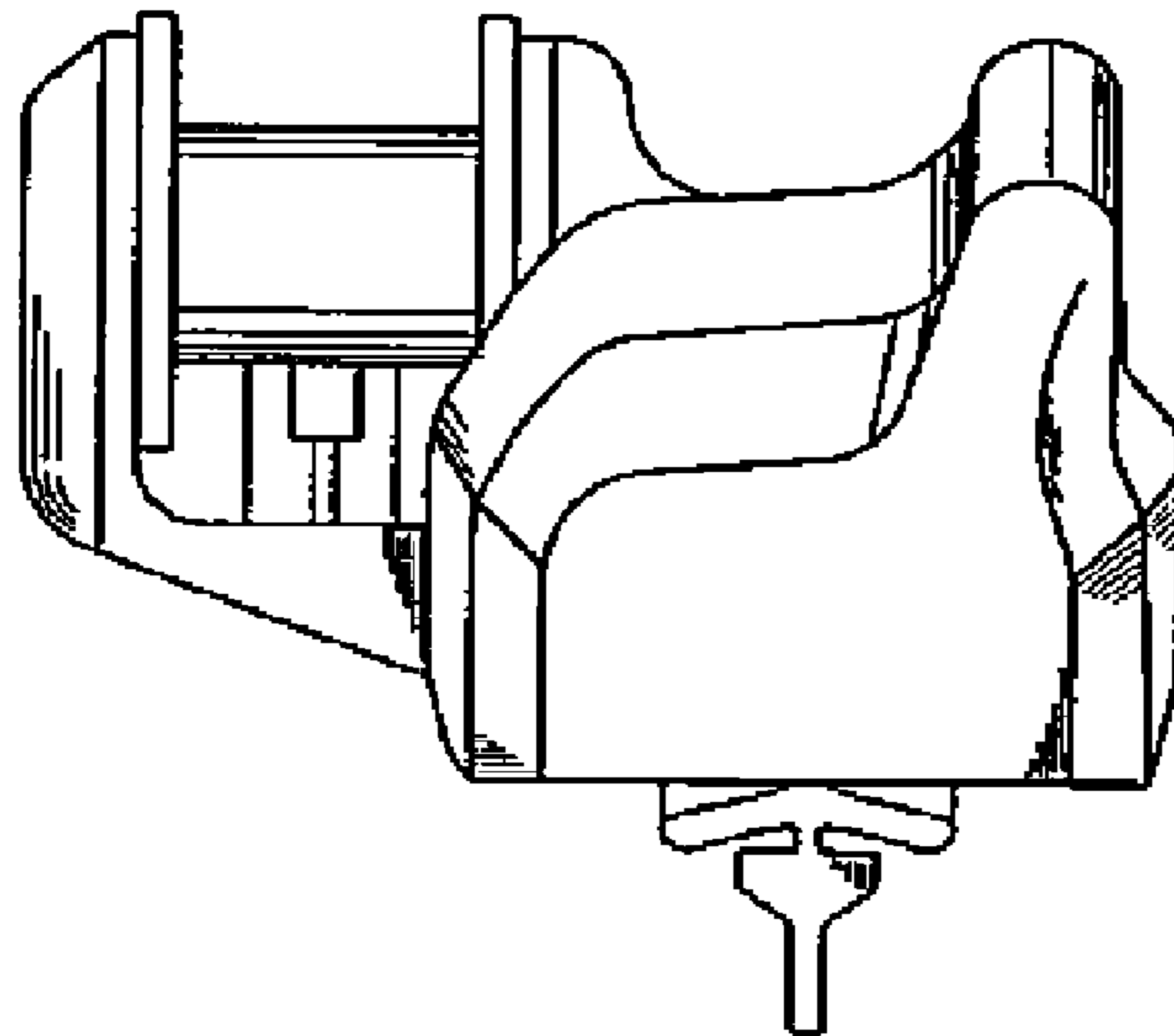


FIG. 9

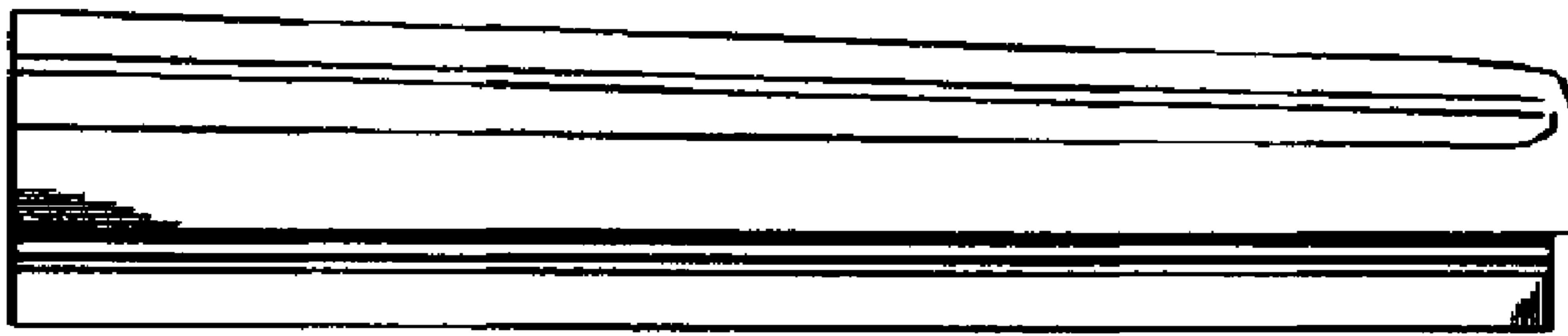


FIG. 10