

US00D571703S

(12) **United States Design Patent**
Antoniadis et al.

(10) **Patent No.:** **US D571,703 S**
(45) **Date of Patent:** **** Jun. 24, 2008**

(54) **FRONT FACE OF A VEHICLE WHEEL**

(75) Inventors: **Apostolos Antoniadis**, Sindelfingen (DE); **Peter Pfeiffer**, Boeblingen (DE)

(73) Assignee: **Daimler AG**, Stuttgart (DE)

(**) Term: **14 Years**

(21) Appl. No.: **29/290,218**

(22) Filed: **Nov. 6, 2007**

(30) **Foreign Application Priority Data**

May 7, 2007 (EM) 000718382-0001

(51) **LOC (8) Cl.** **12-16**

(52) **U.S. Cl.** **D12/211**

(58) **Field of Classification Search** D12/204–213;
301/37.101, 64.101, 65, 64.201
See application file for complete search history.

(56) **References Cited**

U.S. PATENT DOCUMENTS

D241,830 S *	10/1976	Patch	D12/211
D388,045 S *	12/1997	Sakagami et al.	D12/209
D409,548 S *	5/1999	Chung	D12/209
D475,669 S *	6/2003	Boyer	D12/209
D476,284 S *	6/2003	Pfeiffer et al.	D12/211
D494,523 S *	8/2004	Koenigsberg	D12/209
D504,099 S *	4/2005	Boyer	D12/211

D504,651 S *	5/2005	Johnson	D12/211
D506,718 S *	6/2005	Szavits	D12/209
D512,675 S *	12/2005	Nagashima	D12/209
D513,726 S *	1/2006	Kamimura	D12/211
D516,490 S *	3/2006	Baer	D12/211
D523,387 S *	6/2006	Pfeiffer	D12/211
D526,266 S *	8/2006	Kim	D12/209
D530,251 S *	10/2006	Gabath	D12/209
D546,747 S *	7/2007	Pfeiffer	D12/211

* cited by examiner

Primary Examiner—Stacia Cadmus

(74) *Attorney, Agent, or Firm*—Crowell & Moring LLP

(57) **CLAIM**

The ornamental design for a front face of a vehicle wheel, as shown and described.

DESCRIPTION

FIG. 1 is a front view of a first embodiment of a front face of a vehicle wheel according to our novel design; and

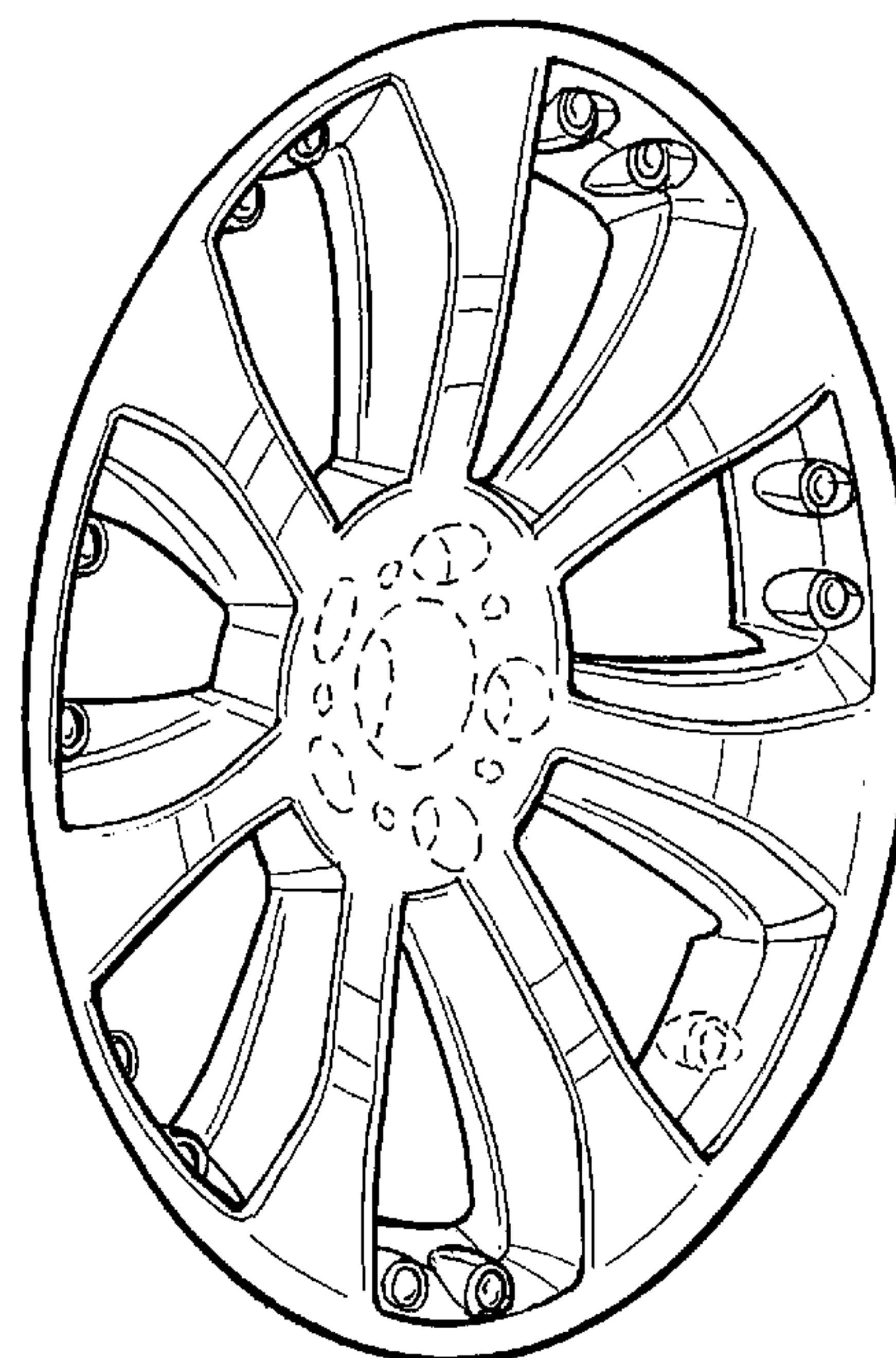
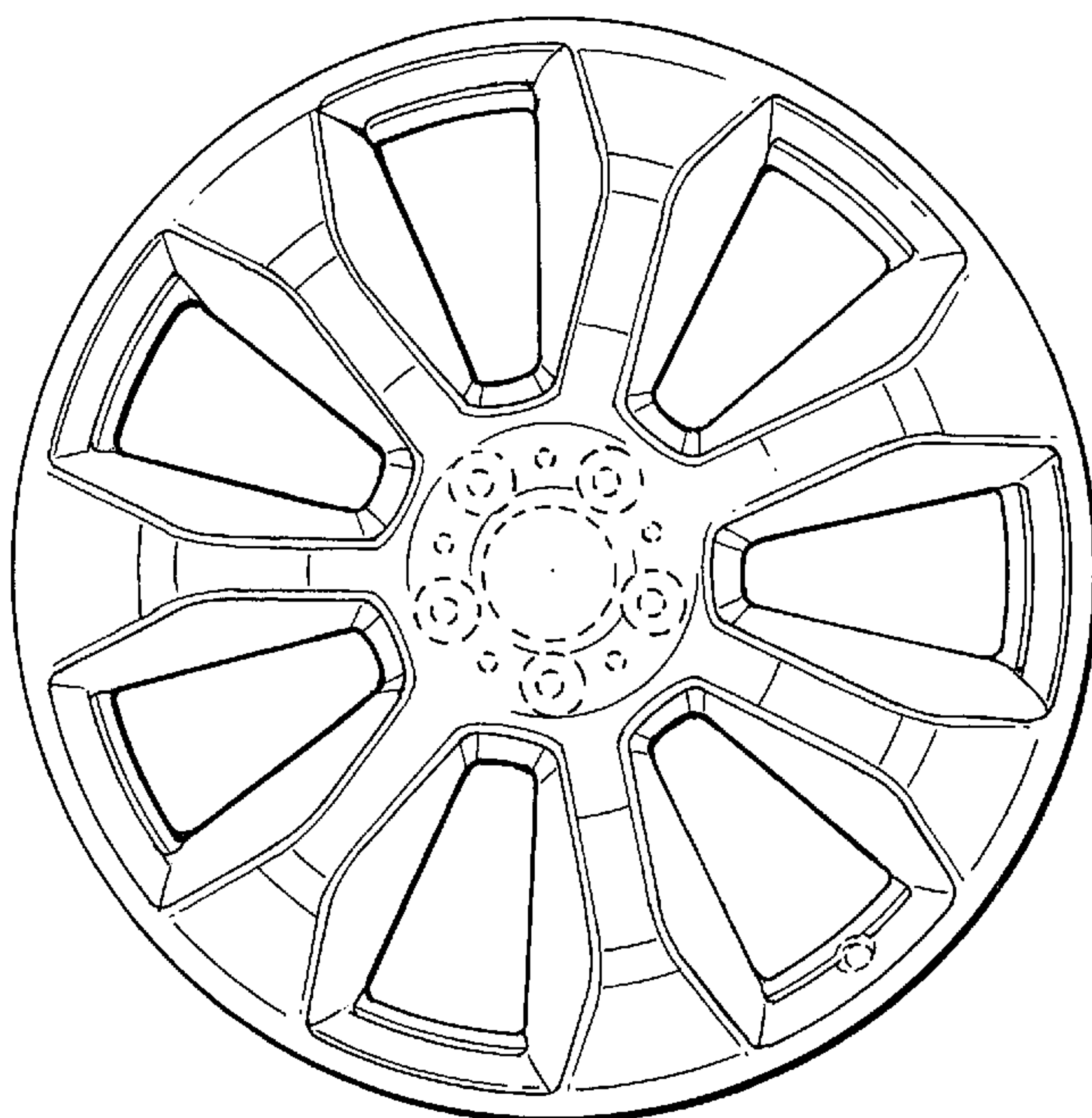
FIG. 2 is a perspective view thereof.

FIG. 3 is a front view of a second embodiment of the front face of a vehicle wheel according to our novel design; and,

FIG. 4 is a perspective view thereof.

The broken lines are for illustrative purposes only and form no part of the claimed design.

1 Claim, 2 Drawing Sheets



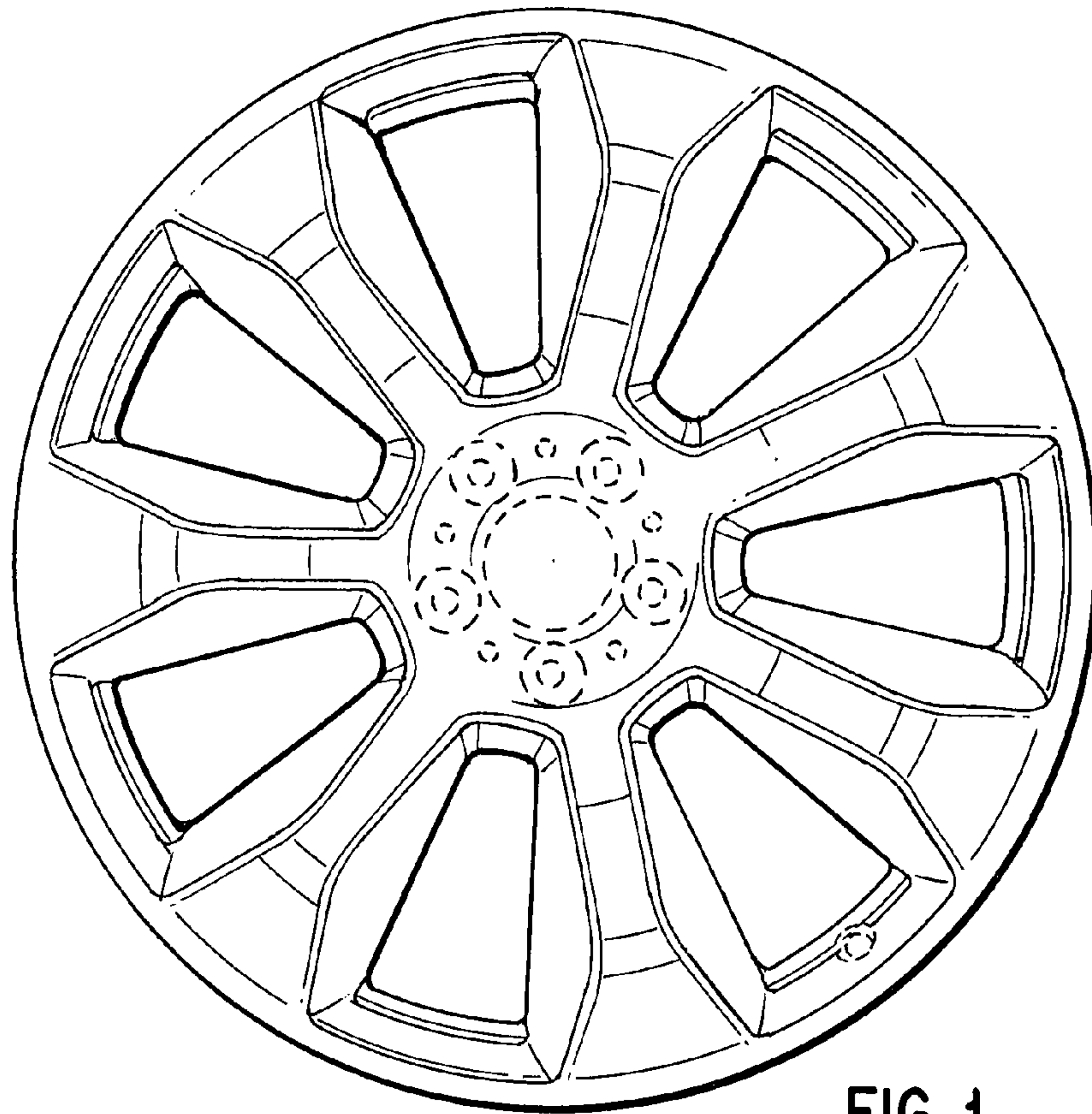


FIG. 1

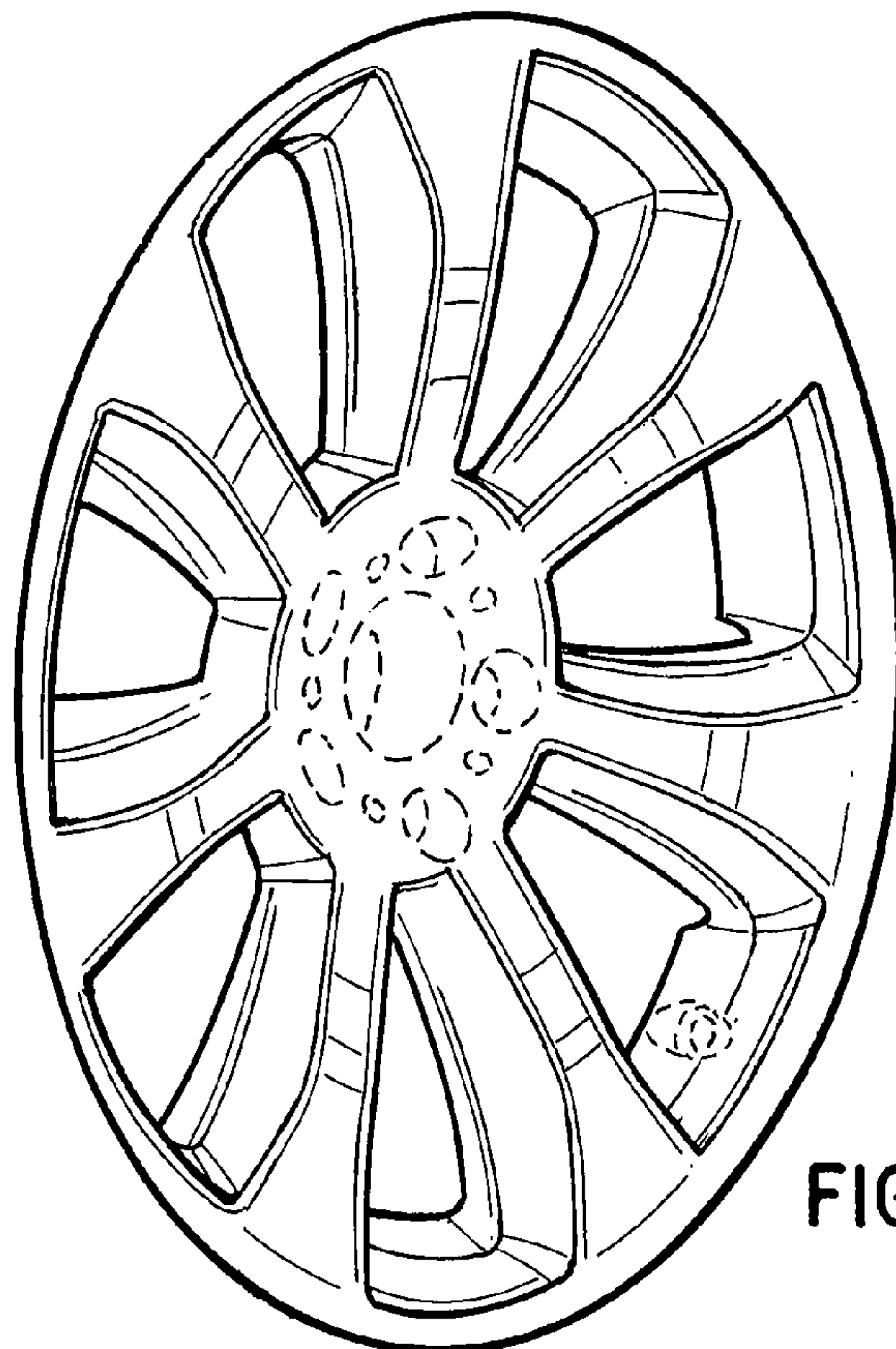


FIG. 2

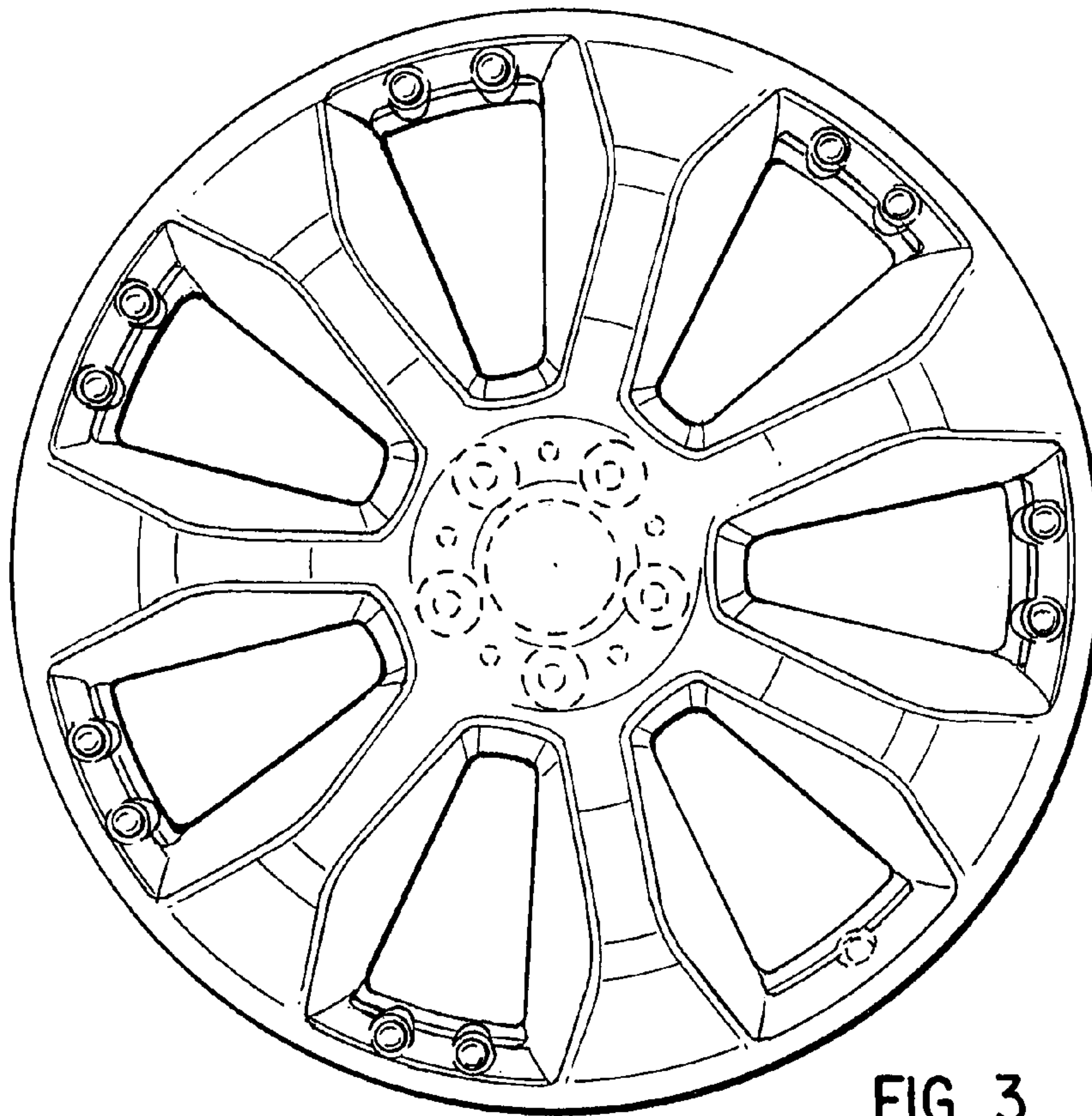


FIG. 3

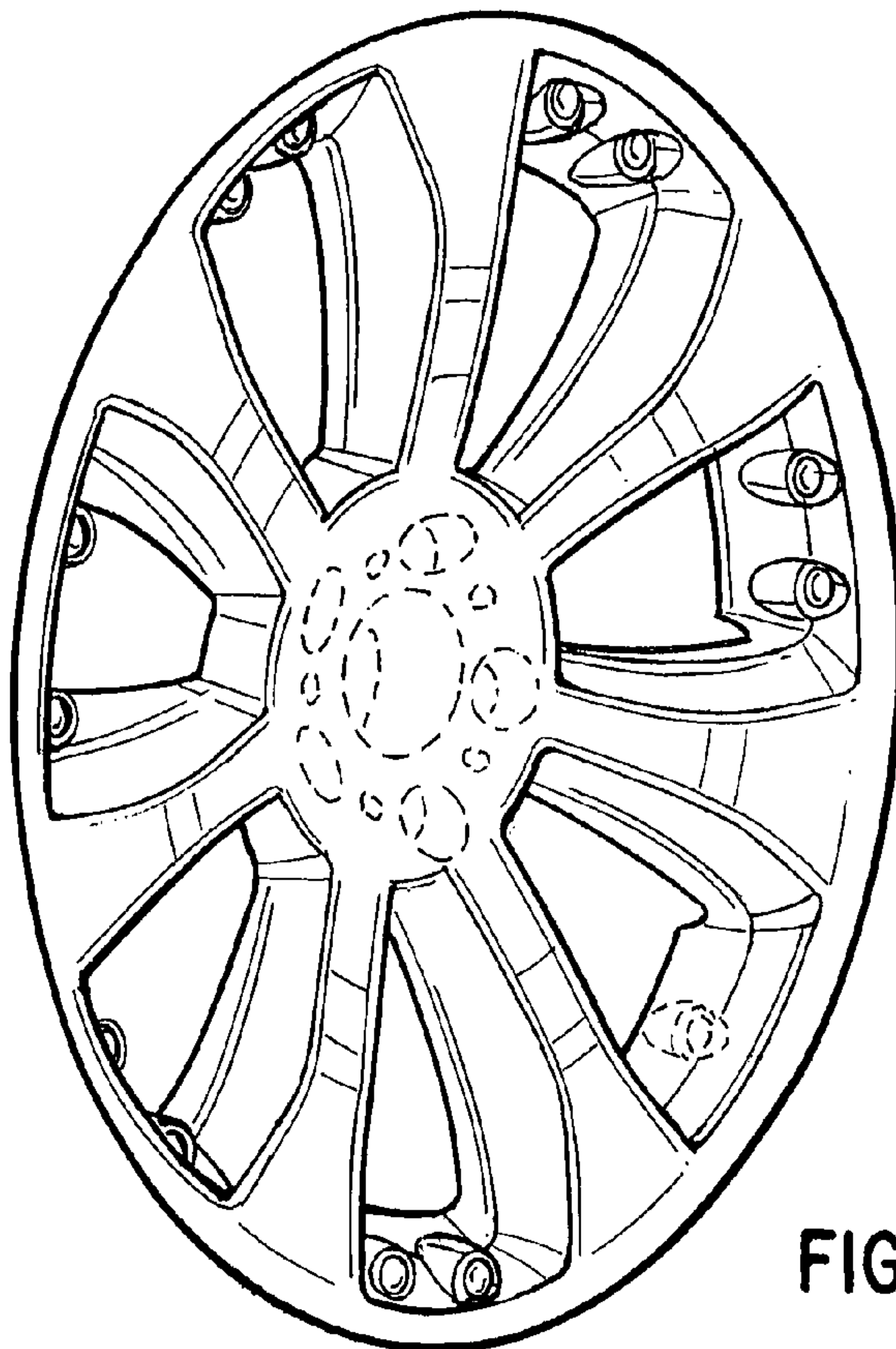


FIG. 4