



US00D571702S

(12) **United States Design Patent**
Guidry

(10) **Patent No.:** **US D571,702 S**
(45) **Date of Patent:** **** Jun. 24, 2008**

(54) **FRONT FACE OF A VEHICLE WHEEL**

(75) Inventor: **Jason Guidry**, Cerritos, CA (US)

(73) Assignee: **Wheel Pros, Inc.**, Cerritos, CA (US)

(**) Term: **14 Years**

(21) Appl. No.: **29/295,791**

(22) Filed: **Oct. 5, 2007**

(51) **LOC (8) Cl.** **12-16**

(52) **U.S. Cl.** **D12/209**

(58) **Field of Classification Search** D12/204–213;
301/37.101, 64.101, 65, 64.201

See application file for complete search history.

(56) **References Cited**

U.S. PATENT DOCUMENTS

D323,138 S *	1/1992	Malmgren et al.	D12/211
D326,838 S *	6/1992	Julien	D12/211
D408,003 S *	4/1999	Sacco et al.	D12/209
D409,551 S *	5/1999	Otto	D12/211
D436,572 S *	1/2001	Brown	D12/209
D440,933 S *	4/2001	Vian	D12/209
D451,061 S *	11/2001	Ishihara	D12/209

D473,506 S *	4/2003	Laengerer	D12/211
D475,006 S *	5/2003	Yoshida	D12/209
D507,220 S *	7/2005	Lucaora	D12/209
D519,900 S *	5/2006	Francis	D12/209
D521,436 S *	5/2006	Meier	D12/209
D533,496 S *	12/2006	Bogani et al.	D12/209

* cited by examiner

Primary Examiner—Stacia Cadmus

(74) *Attorney, Agent, or Firm*—Charles C. H. Wu; Wu & Cheung, LLP

(57) **CLAIM**

The ornamental design for a front face of a vehicle wheel, as shown and described.

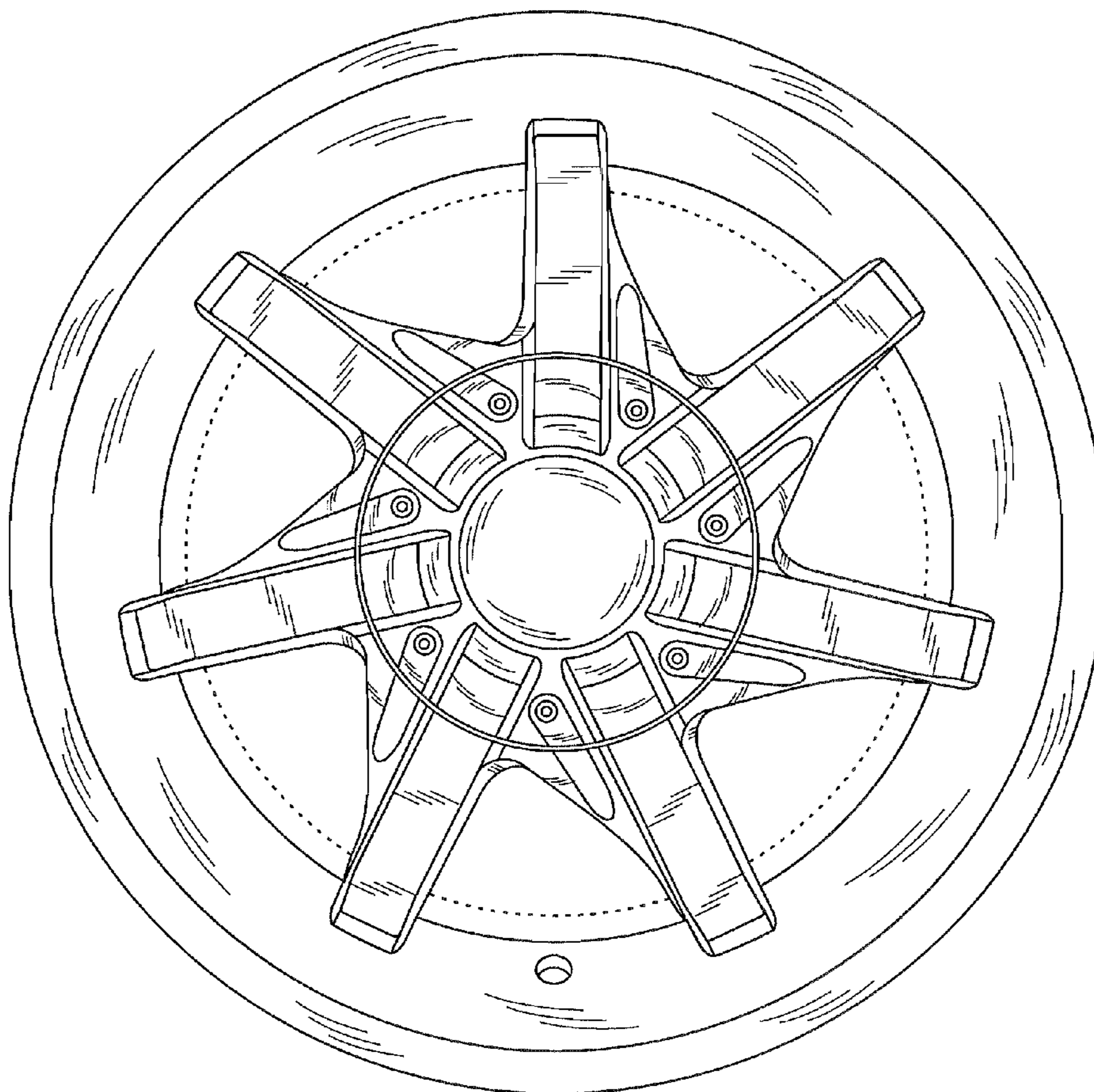
DESCRIPTION

FIG. 1 is a perspective view of a front face of a vehicle wheel showing my new design; and,

FIG. 2 is a front view thereof.

The broken line showing of the back portion of the wheel rim is included for the purpose of illustrating environmental structure and forms no part of the claimed design.

1 Claim, 2 Drawing Sheets



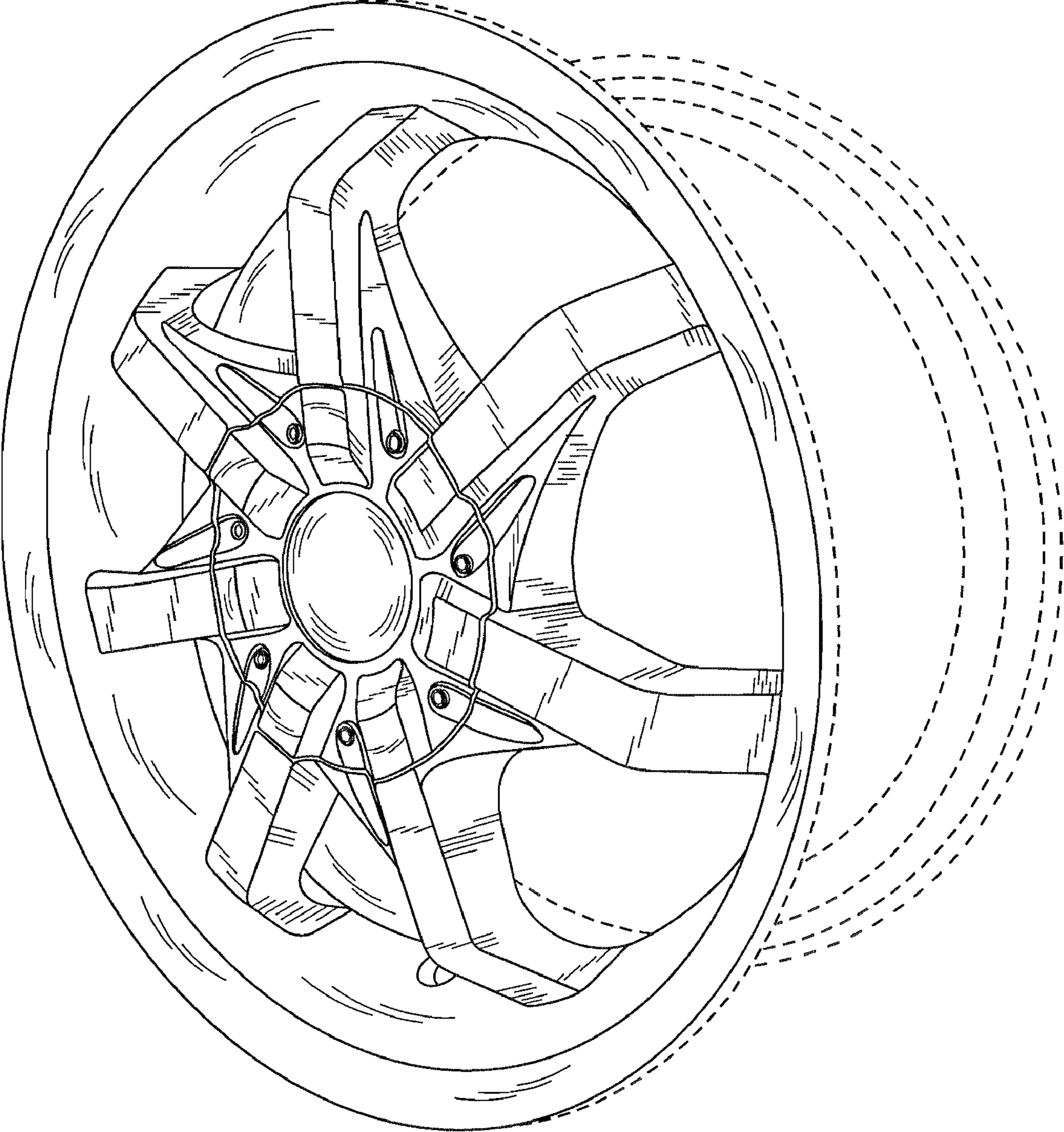


FIG. 1

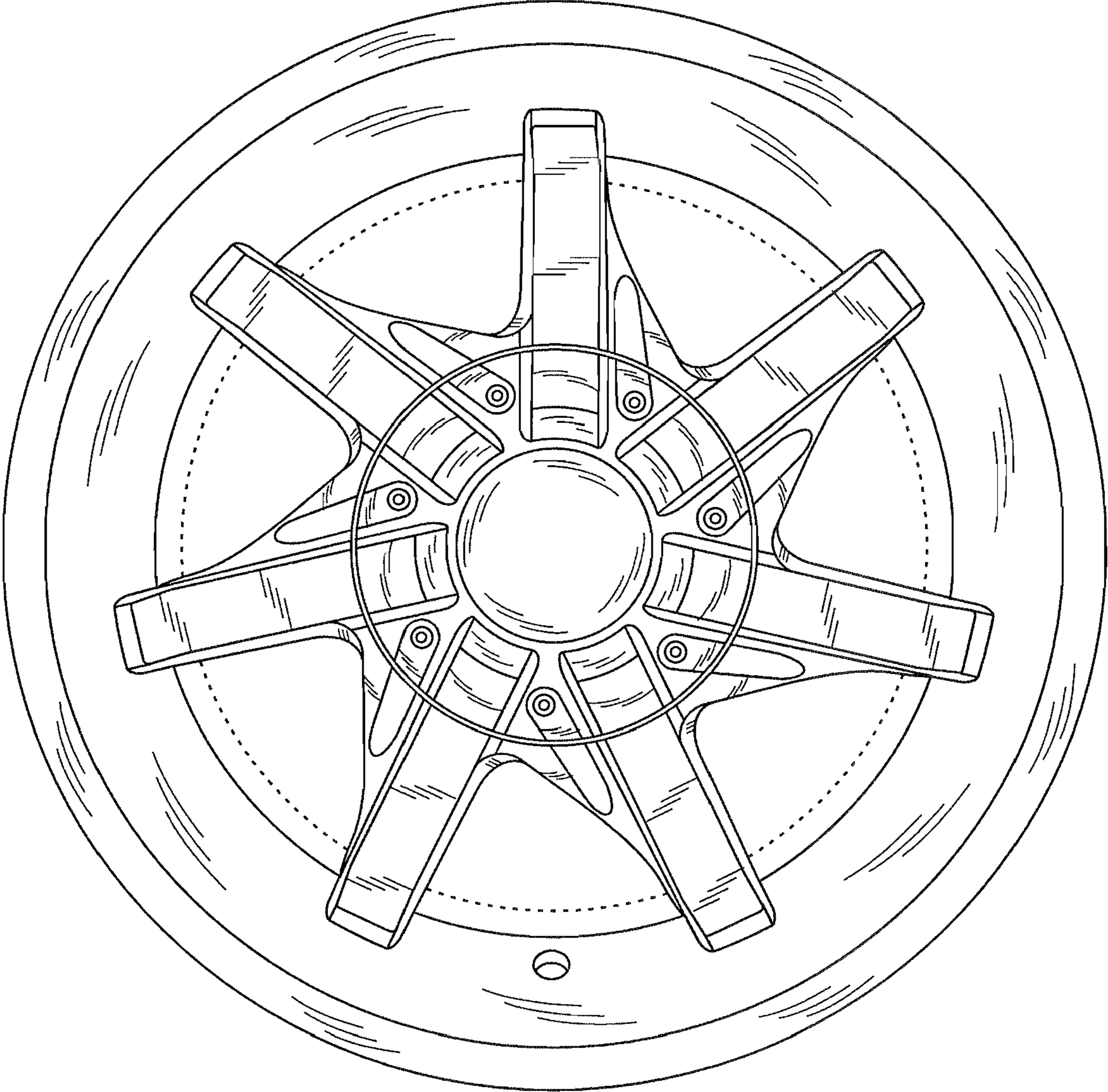


FIG. 2