



US00D571695S

(12) **United States Design Patent**
Zheng

(10) **Patent No.:** **US D571,695 S**
(45) **Date of Patent:** **** Jun. 24, 2008**

(54) **REAR BUMPER OF AUTOMOBILE**

D563,842 S * 3/2008 Pfeiffer D12/169
D564,424 S * 3/2008 Nakajima D12/169

(75) Inventor: **Chunhong Zheng**, Baoding (CN)

* cited by examiner

(73) Assignee: **Great Wall Motor Company Limited**,
Baoding, Hebei Province (CN)

Primary Examiner—Melody N Brown
(74) *Attorney, Agent, or Firm*—Robert L. Epstein; Epstein
Drangel Bazerman & James, LLP

(**) Term: **14 Years**

(21) Appl. No.: **29/291,493**

(57) **CLAIM**

(22) Filed: **Aug. 31, 2007**

The ornamental design for a rear bumper of automobile,
substantially as shown and described.

(51) **LOC (8) Cl.** **12-16**

(52) **U.S. Cl.** **D12/169**

(58) **Field of Classification Search** D12/169,
D12/196, 171, 163, 216, 90-92, 86; 293/102,
293/113, 115, 117, 120; 296/180.1, 180.2
See application file for complete search history.

DESCRIPTION

FIG. 1 is a perspective view showing the front and top of my
invention;

FIG. 2 is a front elevation view of my invention;

FIG. 3 is a rear elevation view of my invention;

FIG. 4 is a left-side elevation view of my invention;

FIG. 5 is a right-side elevation view of my invention;

FIG. 6 is a top plan view of my invention; and,

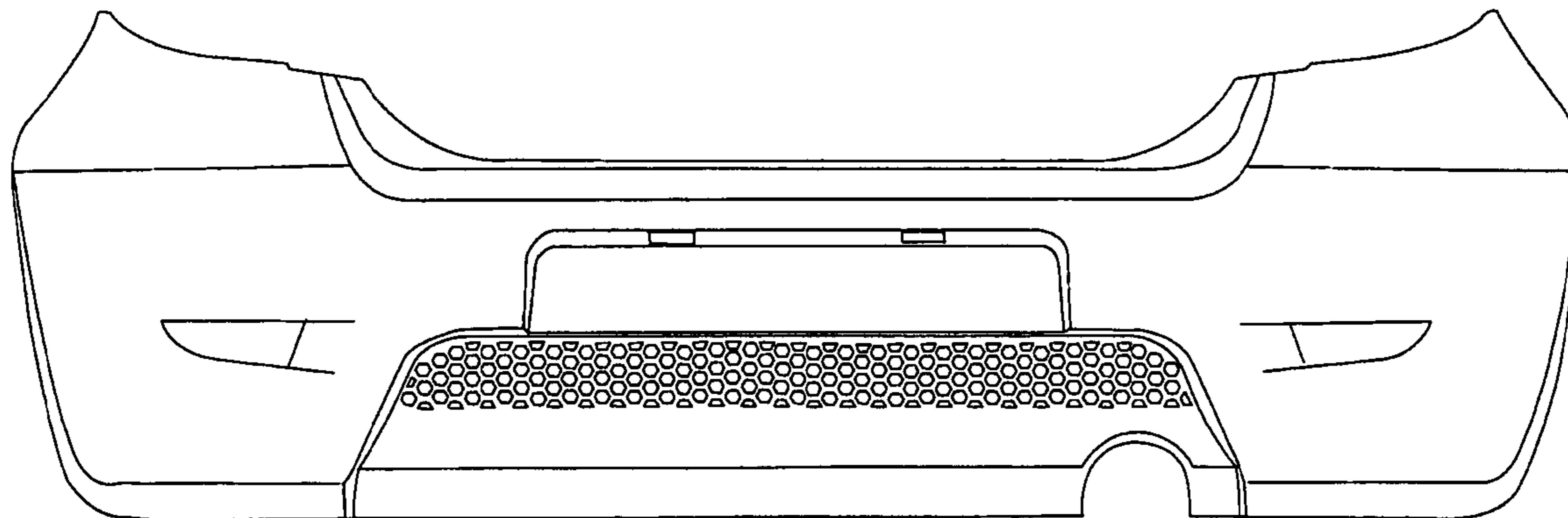
FIG. 7 is a bottom plan view of my invention.

(56) **References Cited**

U.S. PATENT DOCUMENTS

D555,552 S * 11/2007 Bucher et al. D12/169
D561,069 S * 2/2008 Tabata et al. D12/169
D561,070 S * 2/2008 Gresens et al. D12/169
D561,071 S * 2/2008 Golden et al. D12/169
D563,291 S * 3/2008 Nishihama et al. D12/169

1 Claim, 4 Drawing Sheets



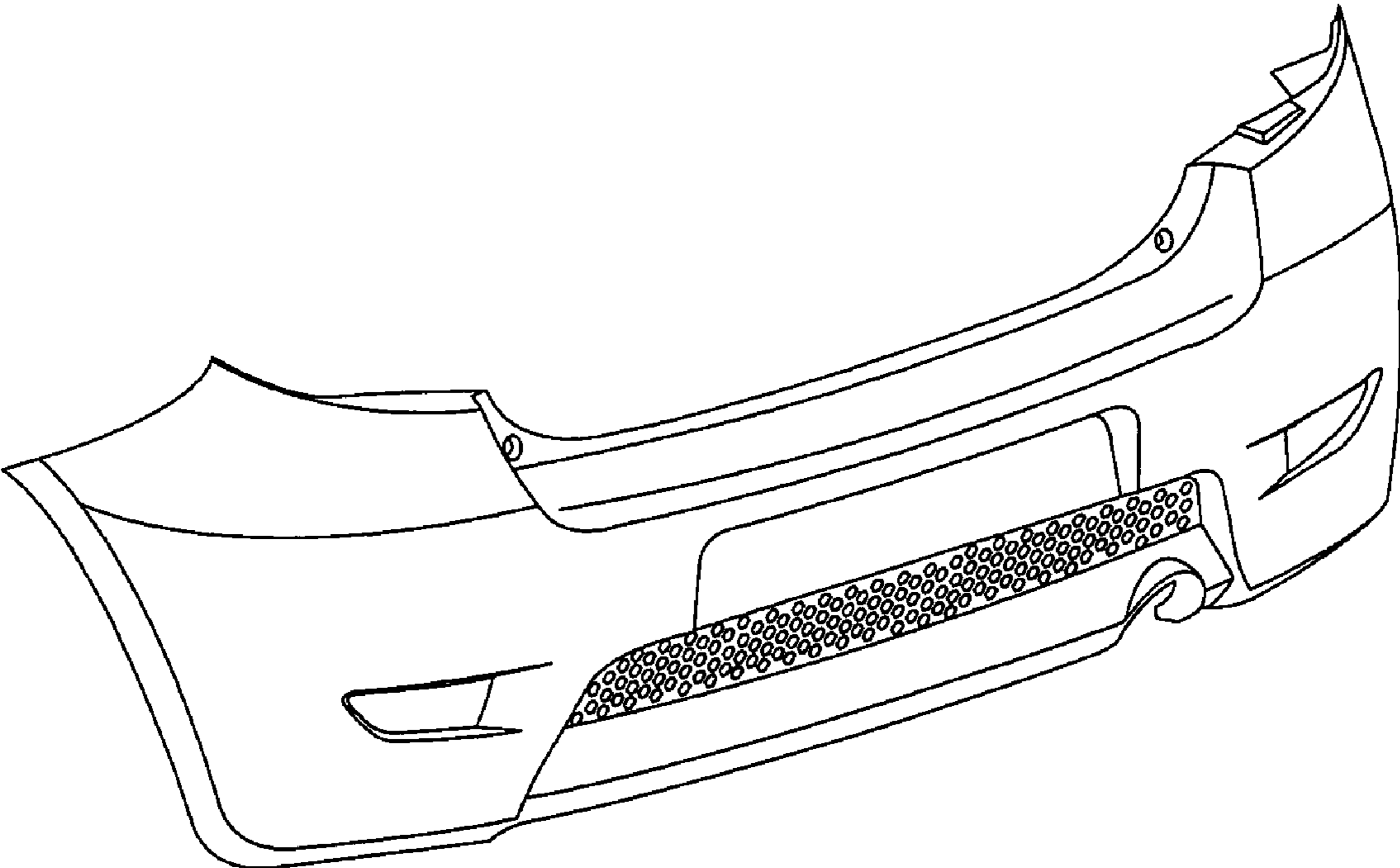


FIG. 1

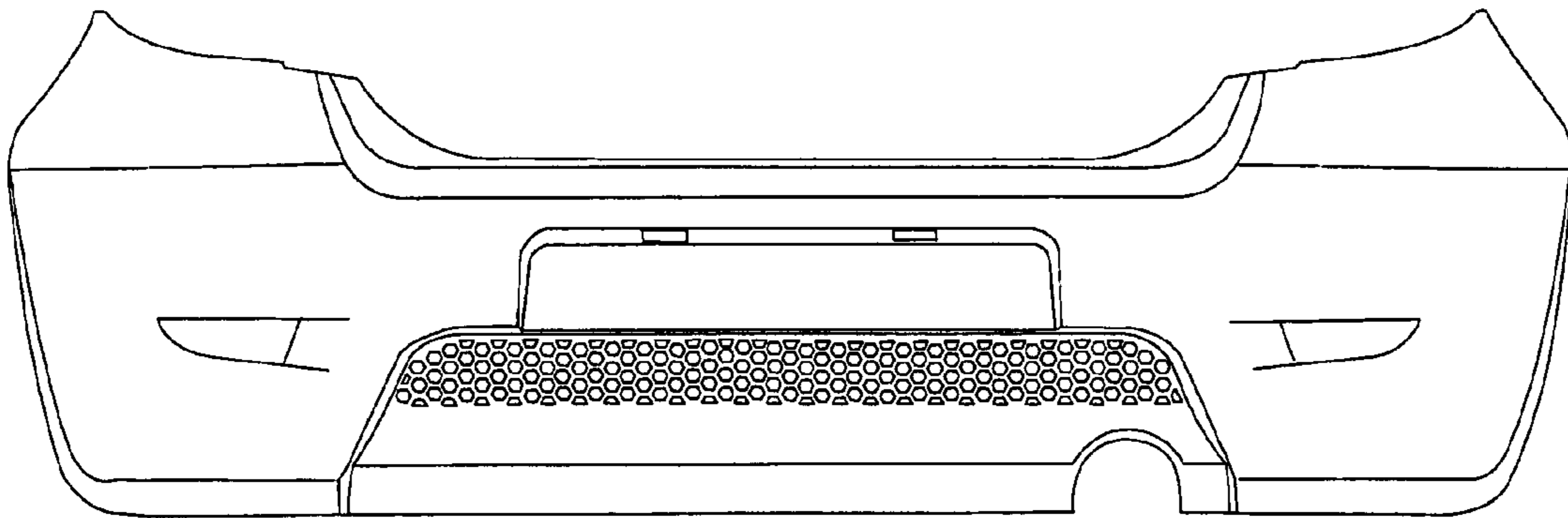


FIG. 2

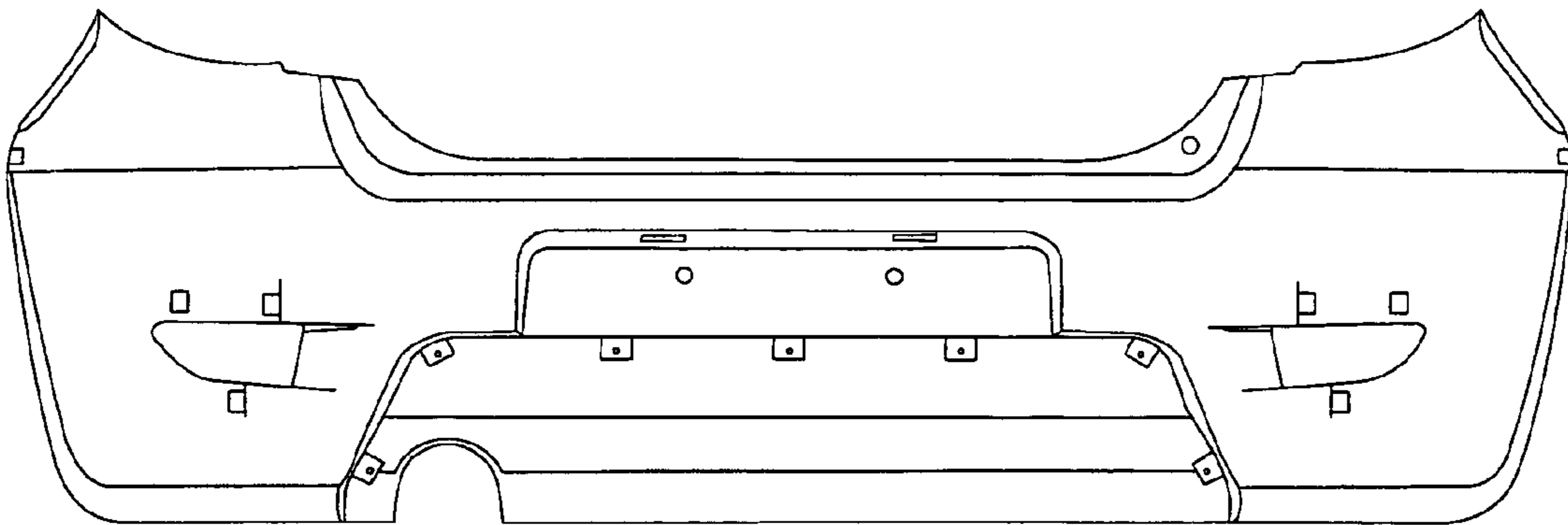


FIG. 3

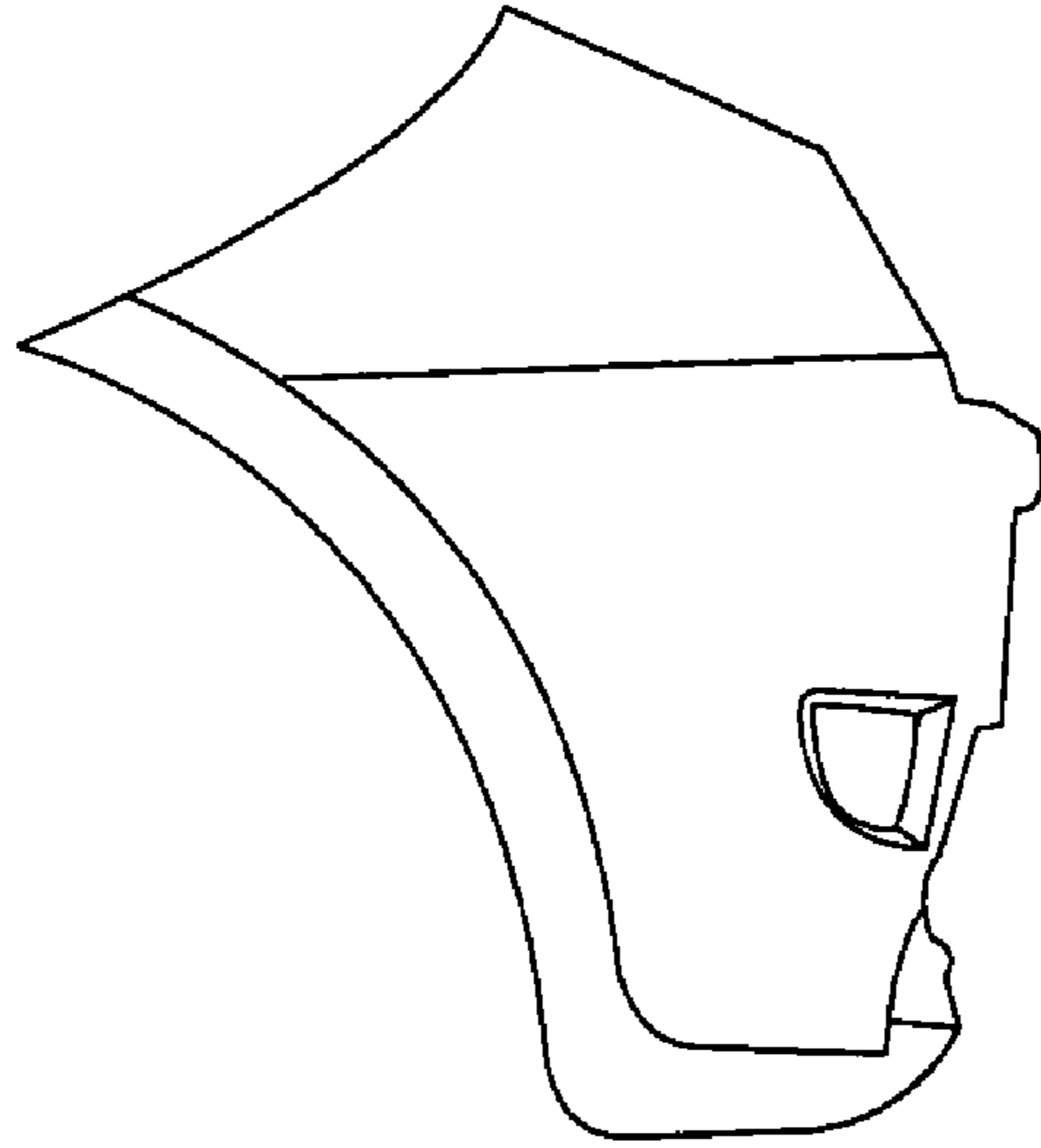


FIG. 4

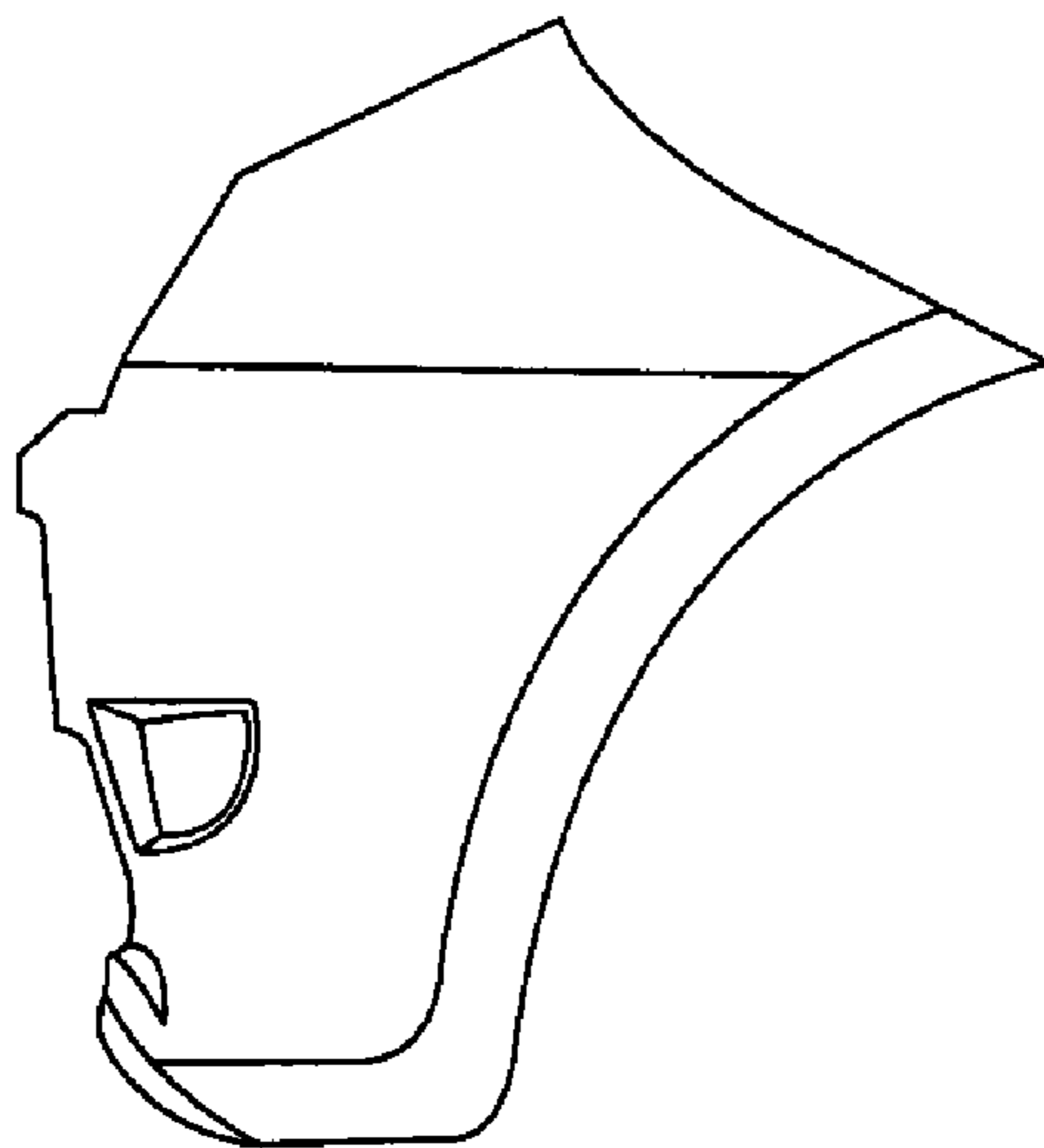


FIG. 5

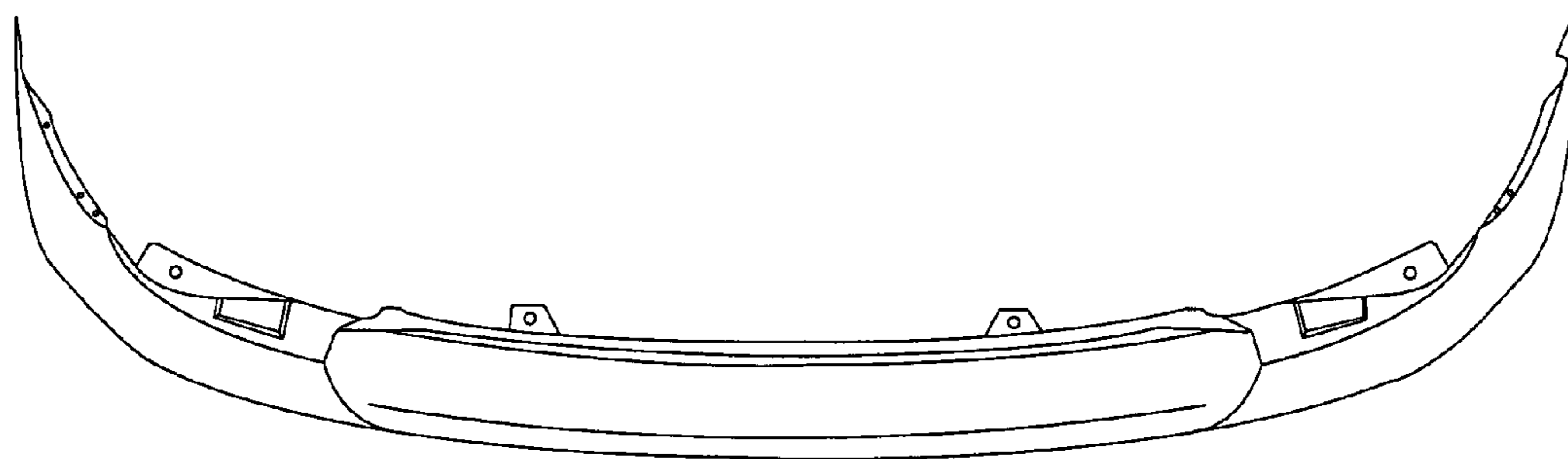


FIG. 6

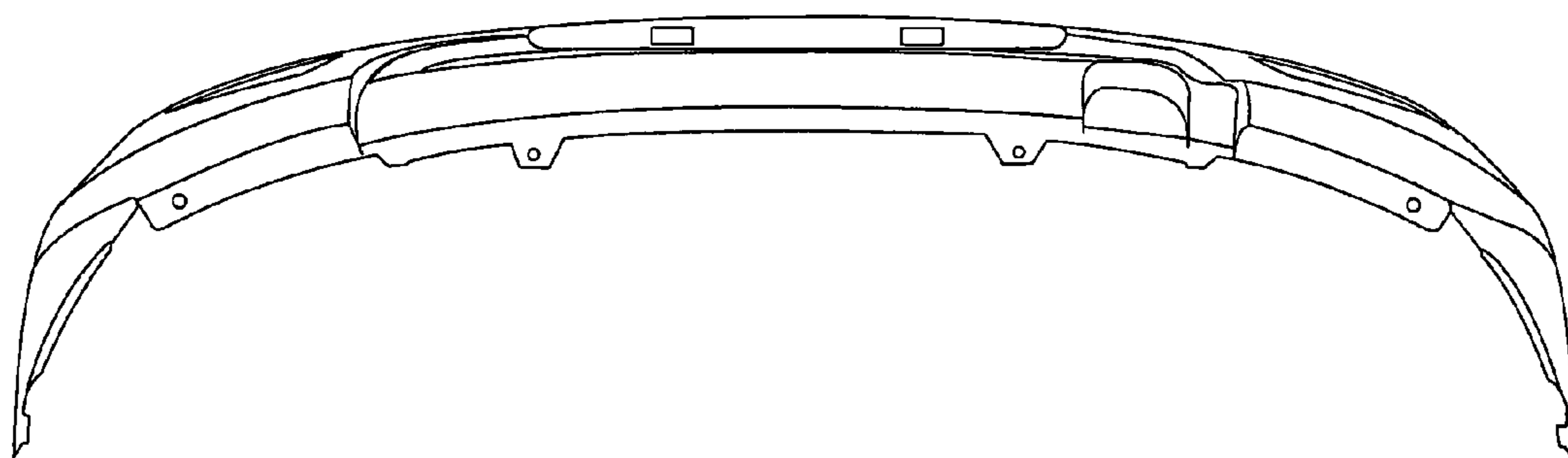


FIG. 7

UNITED STATES PATENT AND TRADEMARK OFFICE
CERTIFICATE OF CORRECTION

PATENT NO. : Des. 571,695 S
APPLICATION NO. : 29/291493
DATED : June 24, 2008
INVENTOR(S) : Chunhong Zheng

Page 1 of 1

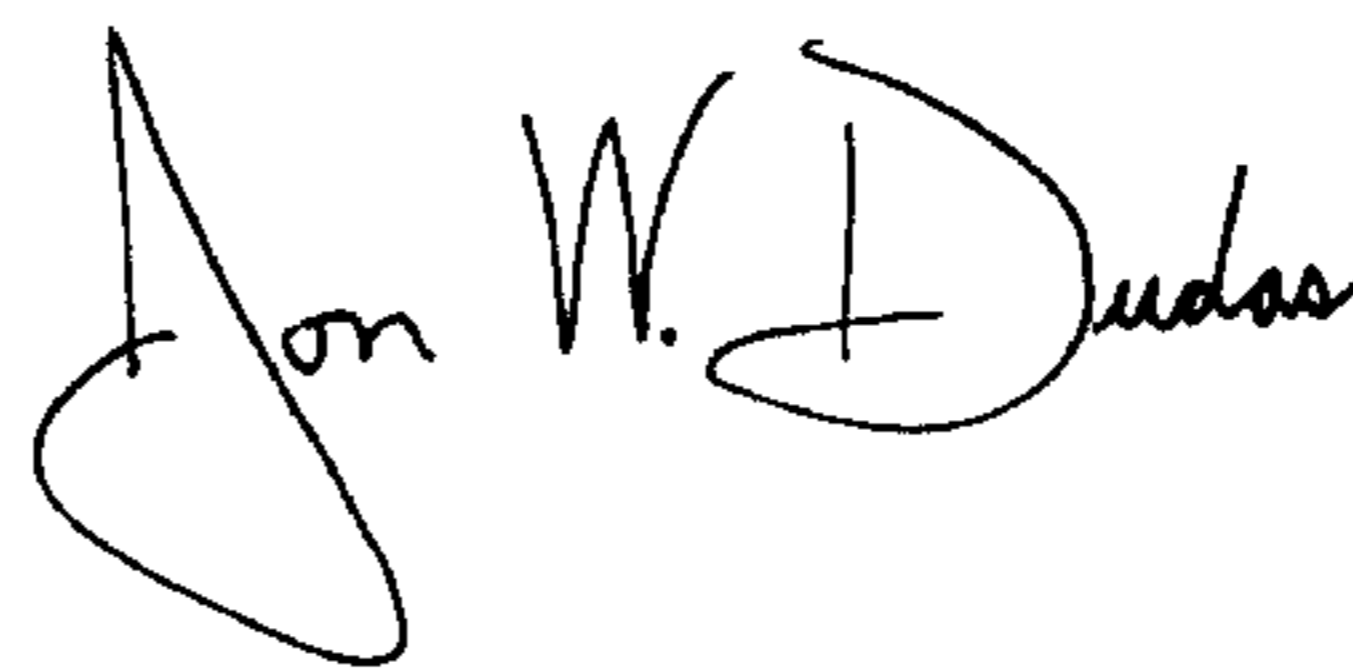
It is certified that error appears in the above-identified patent and that said Letters Patent is hereby corrected as shown below:

Title Page item 73 The correct address of the assignee should read:

Baoding, Hebei Province (CN)

Signed and Sealed this

Twenty-eighth Day of October, 2008

A handwritten signature in black ink that reads "Jon W. Dudas". The signature is written in a cursive style with a large, looped initial "J".

JON W. DUDAS

Director of the United States Patent and Trademark Office