



US00D571691S

(12) **United States Design Patent**
Quinn

(10) **Patent No.:** **US D571,691 S**
(45) **Date of Patent:** **** Jun. 24, 2008**

(54) **STROLLER WITH FOOTBALL HELMET SHAPED CANOPY**

D475,659 S * 6/2003 Diaz D12/129

* cited by examiner

(75) Inventor: **Robert A. Quinn**, Tulare, CA (US)

Primary Examiner—Charles A. Rademaker

Assistant Examiner—Charles D Hanson

(73) Assignee: **DonaCorp**, Tulare, CA (US)

(74) *Attorney, Agent, or Firm*—Blakely, Sokoloff, Taylor & Zafman, LLP

(**) Term: **14 Years**

(21) Appl. No.: **29/277,657**

(57) **CLAIM**

(22) Filed: **Mar. 5, 2007**

The ornamental design for a stroller with football helmet shaped canopy, as shown and described.

(51) **LOC (8) Cl.** **12-12**

(52) **U.S. Cl.** **D12/129**

(58) **Field of Classification Search** D12/128-133;
280/62, 647-650, 29, 200, 47.38, 250.1,
280/259, 642, 658; 297/DIG. 4; 296/65.03,
296/65.04; 224/409; 135/65-67, 74; 180/208;
267/5

See application file for complete search history.

DESCRIPTION

FIG. 1 is a perspective view of a stroller with football helmet shaped canopy showing my new design;

FIG. 2 is a top plan view thereof;

FIG. 3 is a bottom plan view thereof;

FIG. 4 is a left side elevational view thereof;

FIG. 5 is a right side elevational view thereof;

FIG. 6 is a front elevational view thereof; and,

FIG. 7 is a rear elevational view thereof.

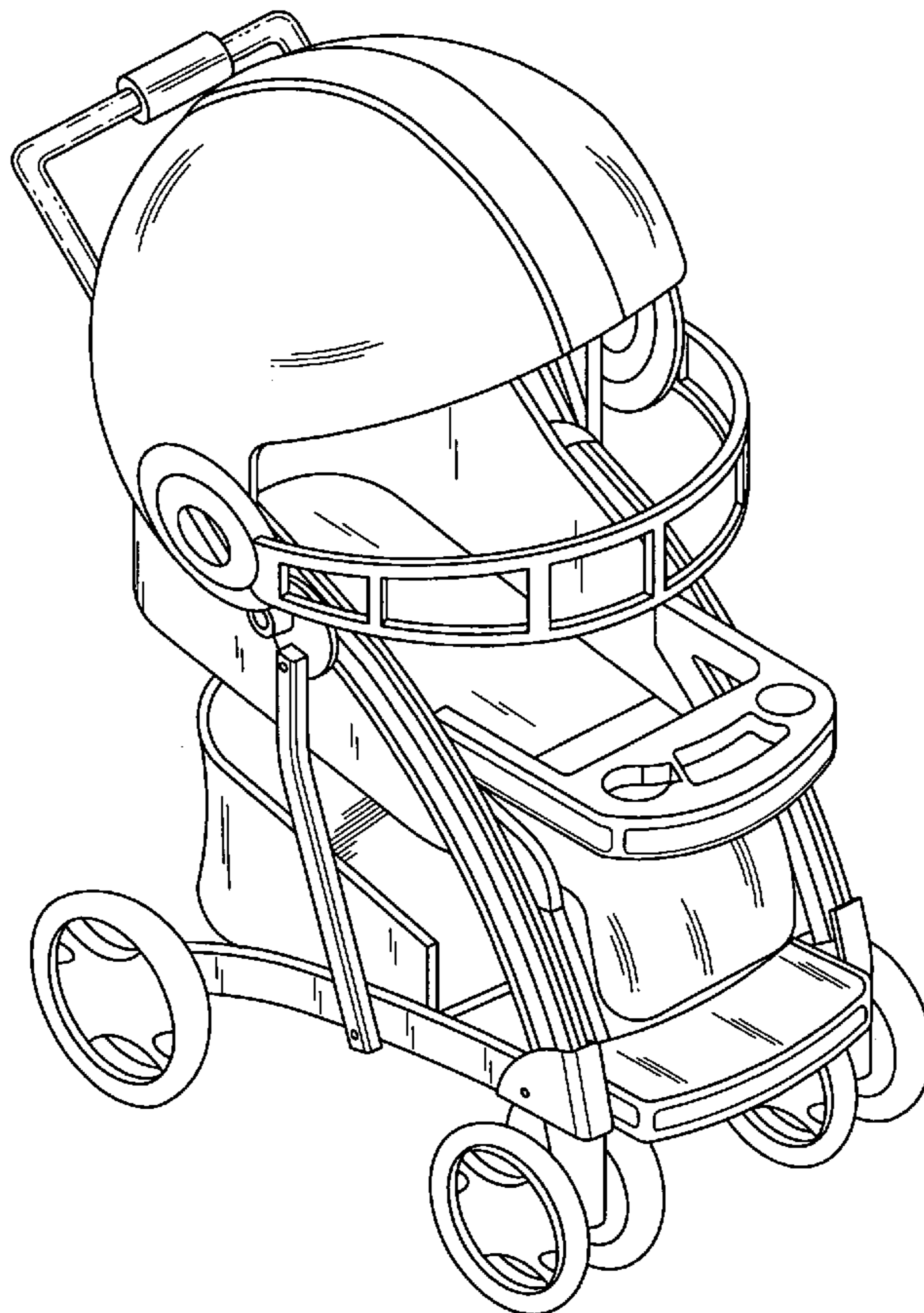
(56) **References Cited**

U.S. PATENT DOCUMENTS

D474,426 S * 5/2003 Hartenstine et al. D12/129

D474,718 S * 5/2003 Hartenstine et al. D12/129

1 Claim, 7 Drawing Sheets



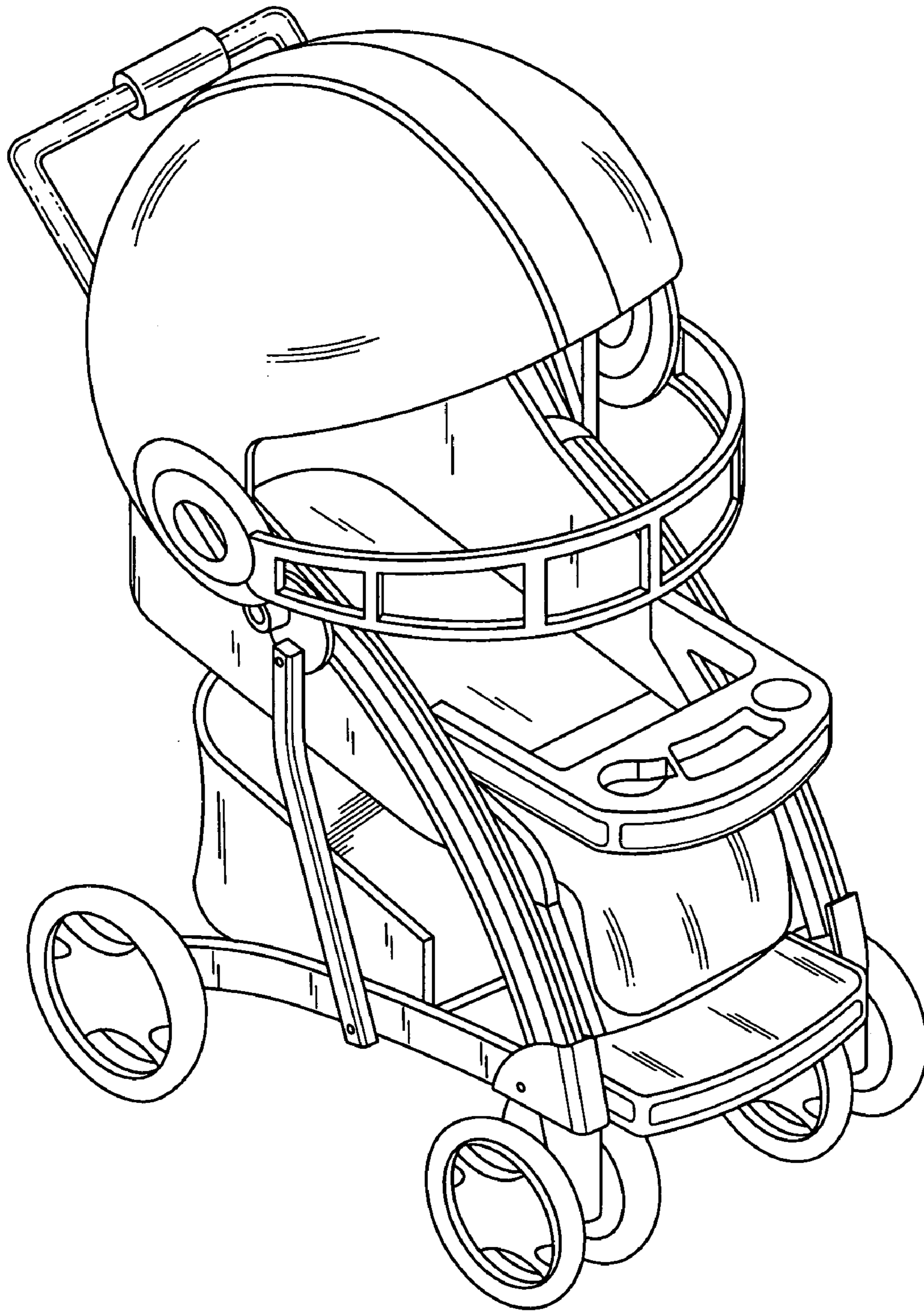


FIG. 1

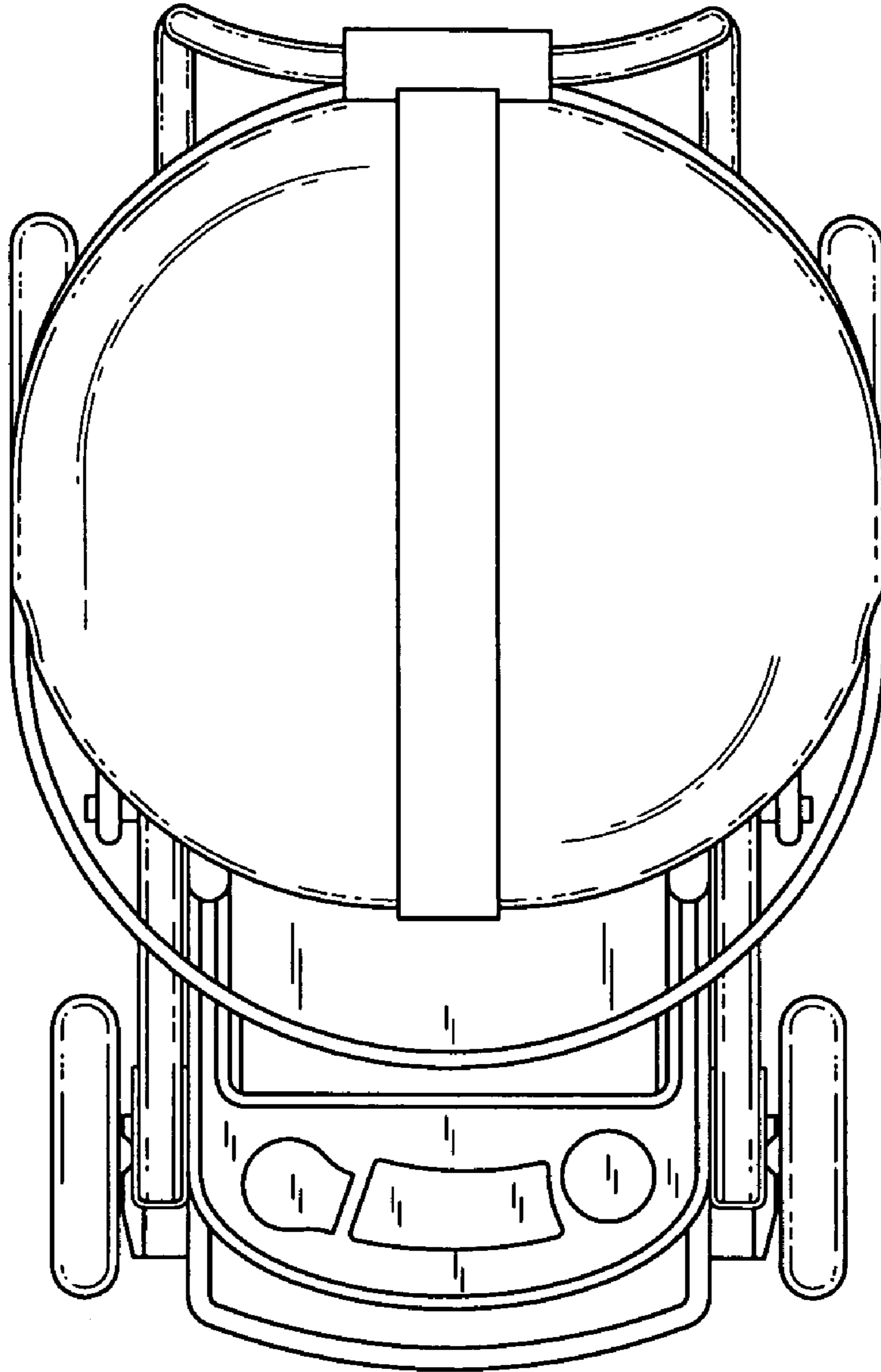


FIG. 2

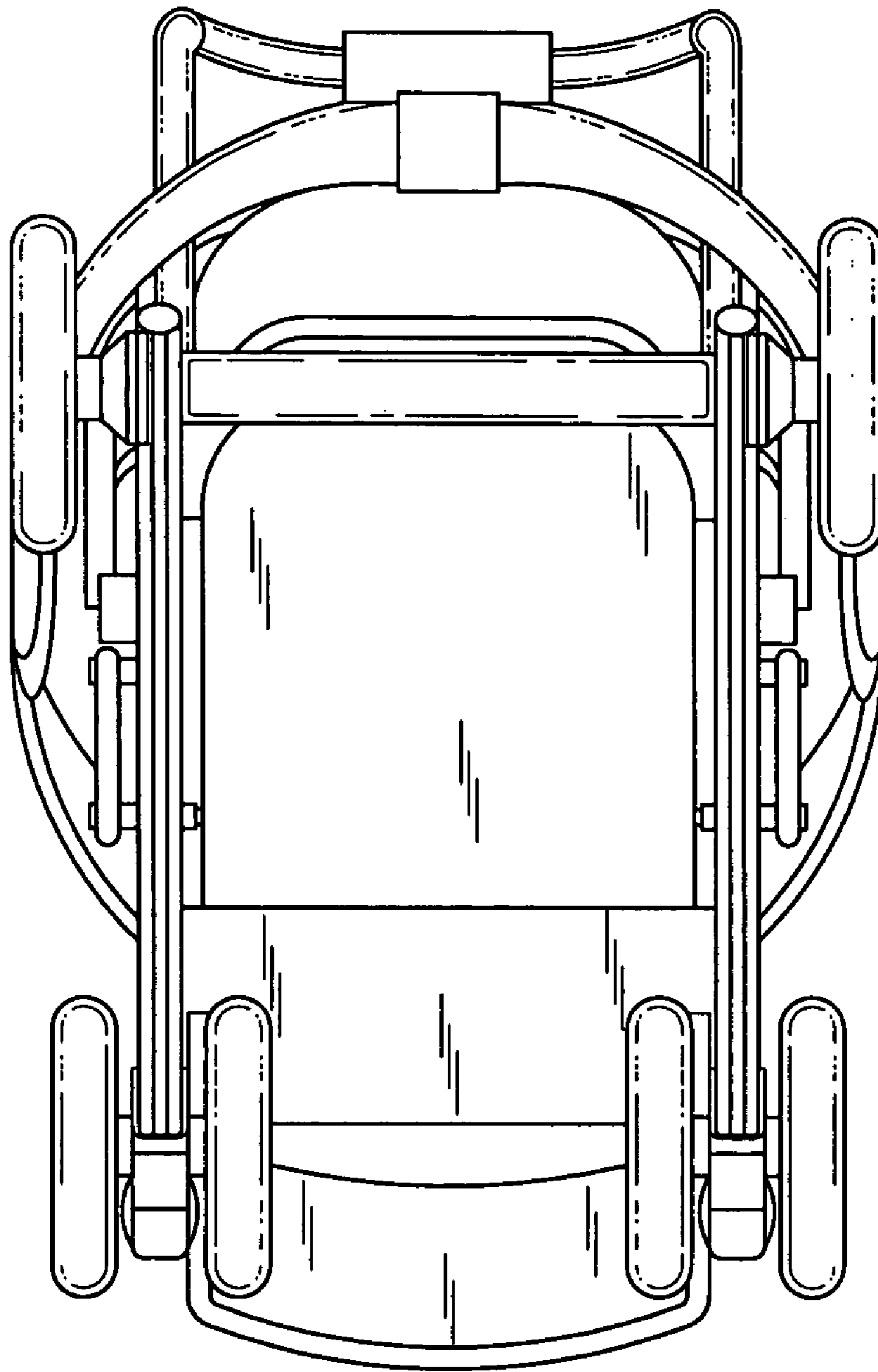


FIG. 3

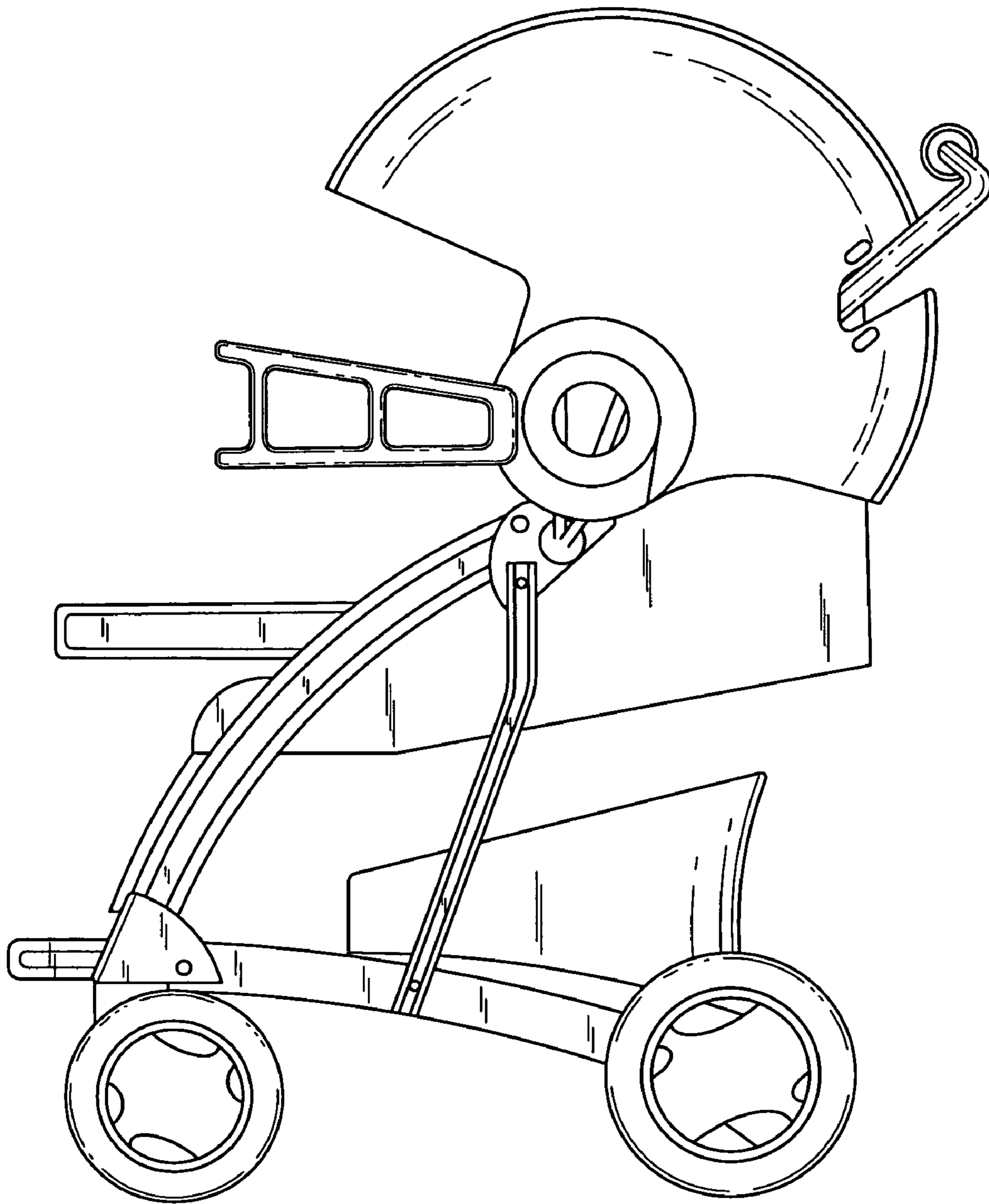


FIG. 4

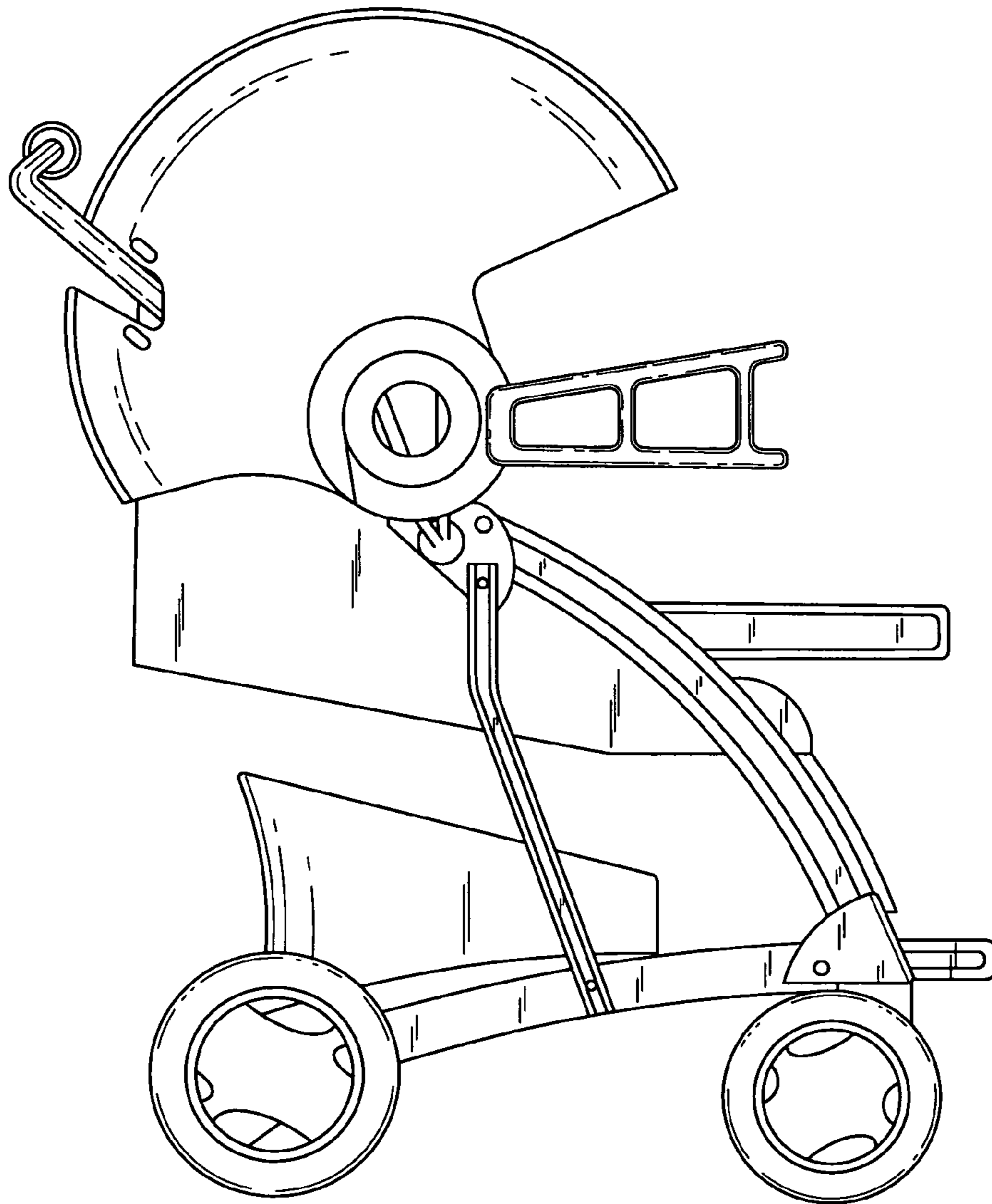


FIG. 5

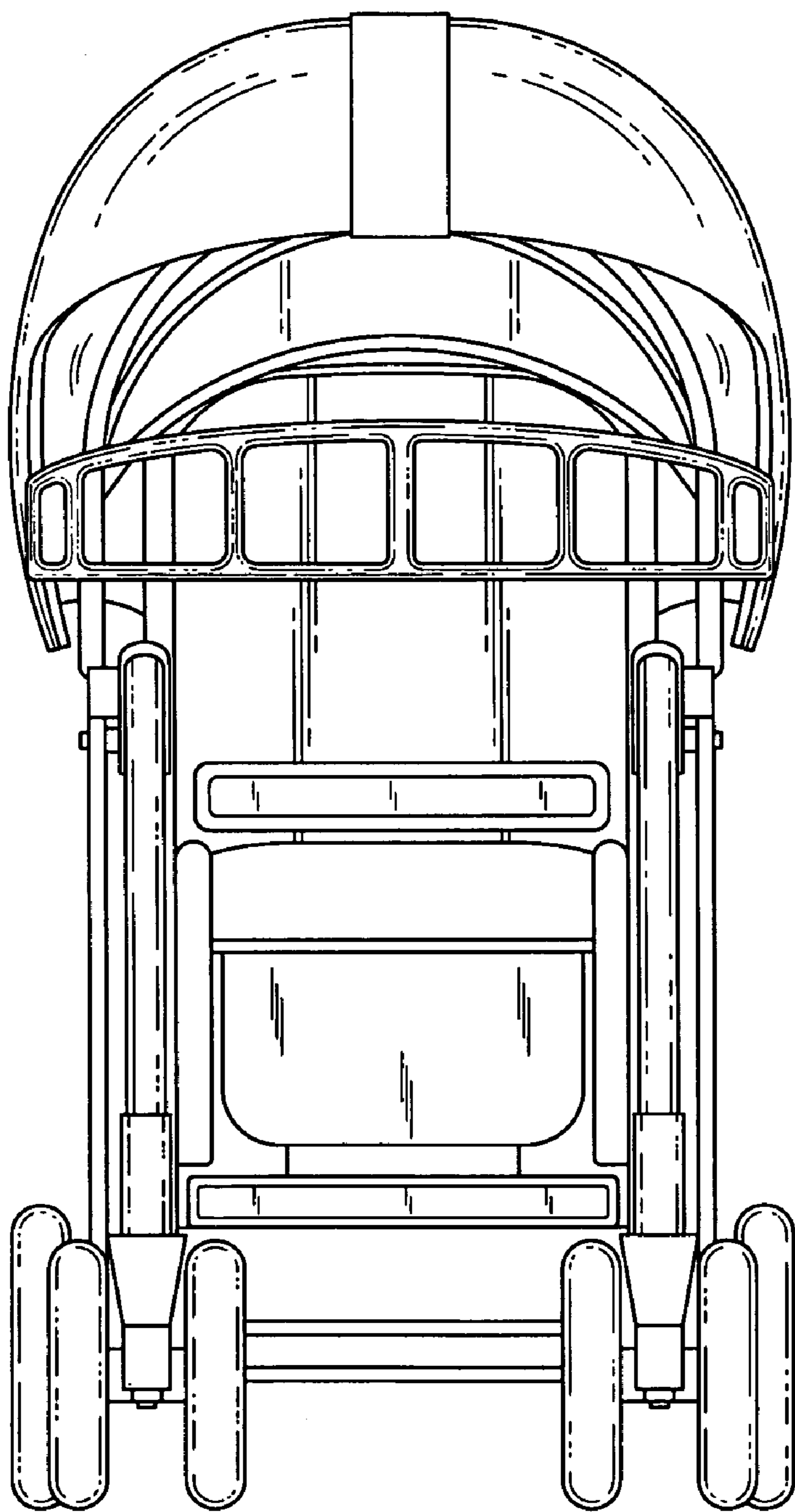


FIG. 6

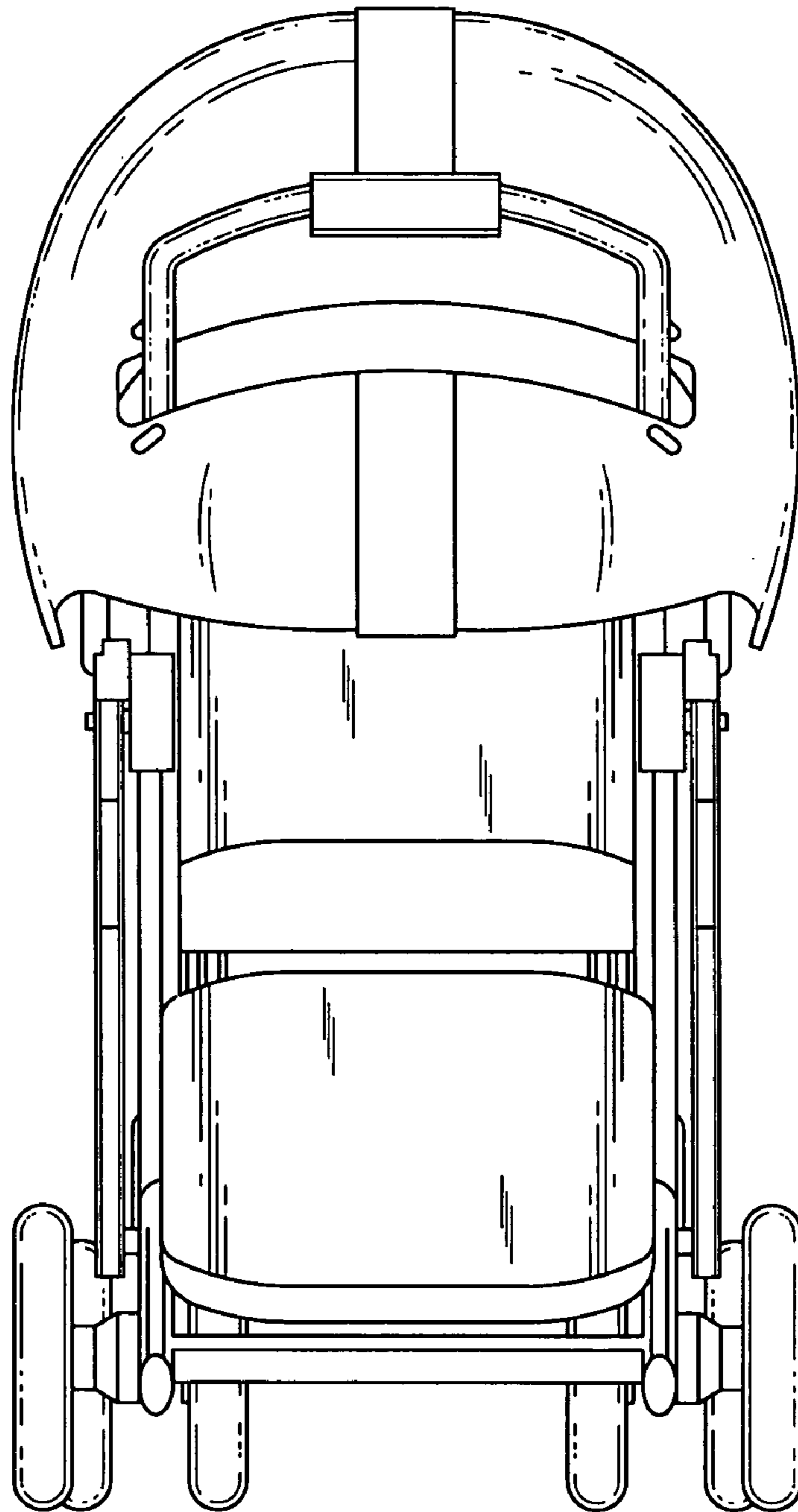


FIG. 7