



US00D571679S

(12) **United States Design Patent**
McEwan et al.

(10) **Patent No.:** **US D571,679 S**
(45) **Date of Patent:** **** Jun. 24, 2008**

(54) **PORTION OF A TAPE CASE**
(75) Inventors: **Sean Michael McEwan**, Raleigh, NC
(US); **Brian D. Westbrook**, Raleigh, NC
(US)
(73) Assignee: **Cooper Brands, Inc.**, Houston, TX (US)
(**) Term: **14 Years**
(21) Appl. No.: **29/285,271**
(22) Filed: **Mar. 26, 2007**

D489,012 S 4/2004 Olson
D490,330 S 5/2004 Konen
D524,666 S * 7/2006 Huang D10/72

OTHER PUBLICATIONS

www.cooperhandtools.com, Lufkin Fiberglass Long Tapes Hi-Viz®
Linear, © 2000-2005.
www.cooperhandtools.com, Lufkin Fiberglass Long Tapes
ProSeries, © 2000-2005.

* cited by examiner

Primary Examiner—Antoine D Davis
(74) *Attorney, Agent, or Firm*—SAIDMAN DesignLaw
Group

(51) **LOC (8) Cl.** **10-04**
(52) **U.S. Cl.** **D10/72**
(58) **Field of Classification Search** D10/72;
33/751-771; 242/292, 381.1, 381.2, 381.3,
242/381.4, 381.5, 381.6

See application file for complete search history.

(57) **CLAIM**

The ornamental design for a portion of a tape case, as shown
and described.

(56) **References Cited**

U.S. PATENT DOCUMENTS

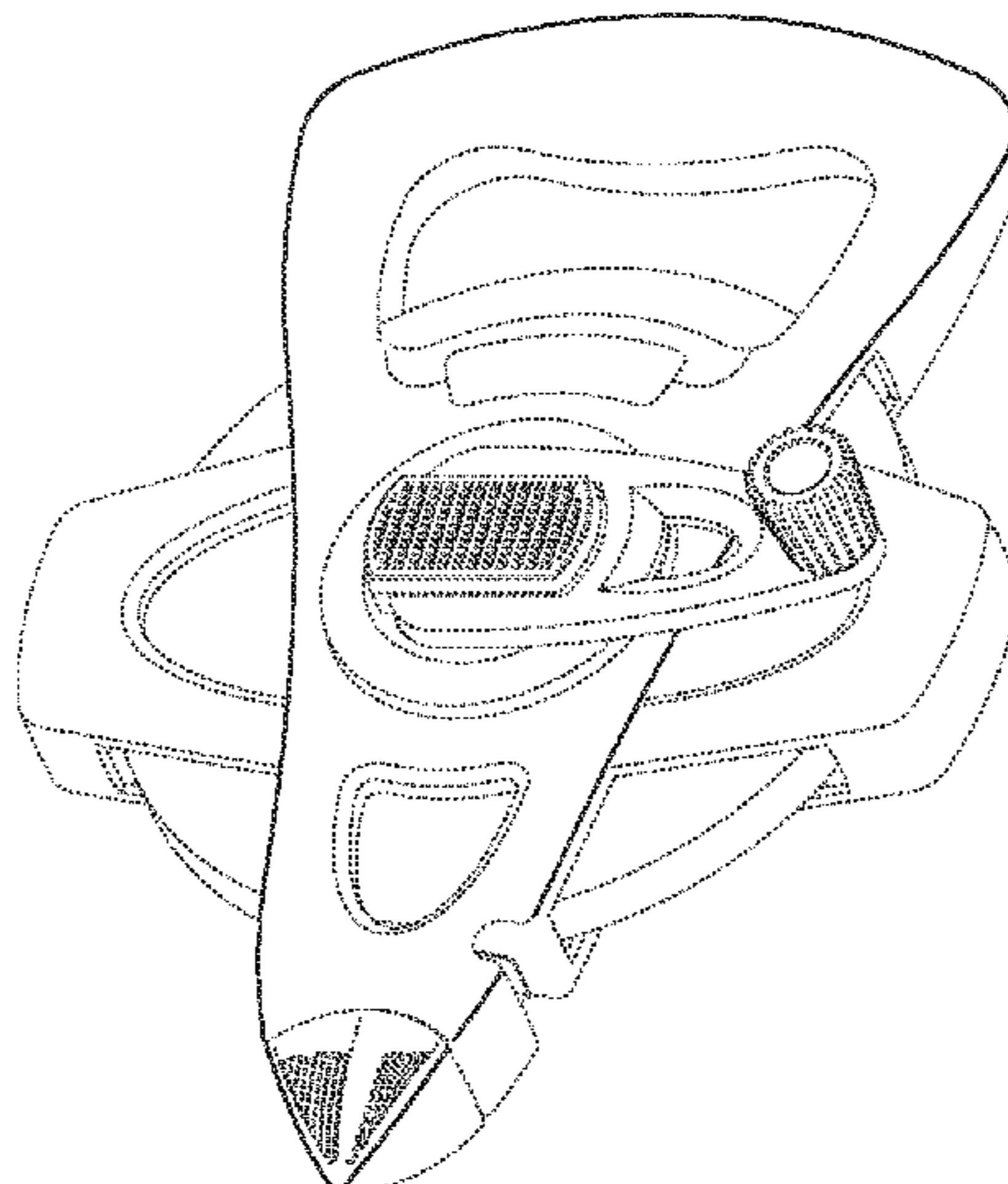
D178,567 S 8/1956 Holscher
D208,066 S 7/1967 Collura et al.
D310,043 S 8/1990 Kang
D311,697 S 10/1990 Kang
D322,943 S 1/1992 Sun
D324,346 S 3/1992 Ogasawara
D341,329 S 11/1993 Morris
D351,561 S 10/1994 Moffatt et al.
D365,769 S 1/1996 Kang
D377,911 S 2/1997 Ogasawara
D396,012 S 7/1998 Walsten
D398,870 S 9/1998 Konen et al.
D408,749 S 4/1999 Walsten
D410,859 S 6/1999 Hioki
D418,765 S 1/2000 Martone et al.
D422,227 S 4/2000 Lin
D423,380 S 4/2000 Kram
D430,047 S 8/2000 Martone et al.
D431,480 S 10/2000 Walsten et al.
D441,671 S 5/2001 Hsu
D453,480 S 2/2002 Stocker et al.
D457,448 S 5/2002 Olson
D466,423 S 12/2002 Kram
D478,292 S 8/2003 Hsu
6,622,396 B2 * 9/2003 Salazar 33/758

DESCRIPTION

FIG. 1 is a perspective view of a first embodiment thereof of
a portion of a tape showing our new design;
FIG. 2 is a front view thereof;
FIG. 3 is a rear view thereof;
FIG. 4 is a left side view thereof;
FIG. 5 is a right side view thereof;
FIG. 6 is a top view thereof;
FIG. 7 is a bottom view thereof;
FIG. 8 is a perspective view of a second embodiment thereof;
FIG. 9 is a front view thereof;
FIG. 10 is a rear view thereof;
FIG. 11 is a left side view thereof;
FIG. 12 is a right side view thereof;
FIG. 13 is a top view thereof; and,
FIG. 14 is a bottom view thereof.

The broken line showing of structural features is included for
the purpose of illustrating non-claimed subject matter and
forms no part of the claimed design.

1 Claim, 9 Drawing Sheets



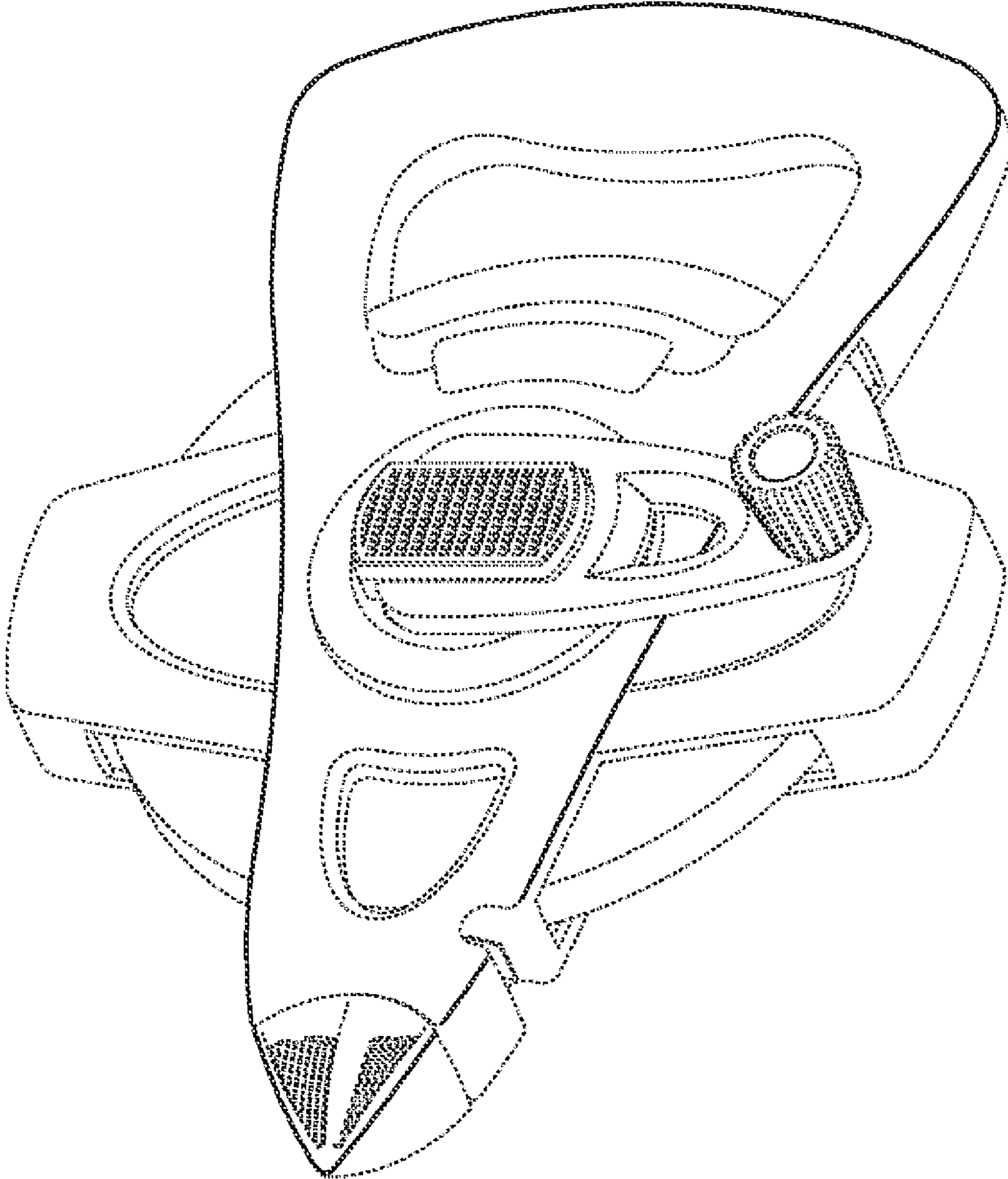


Fig. 1

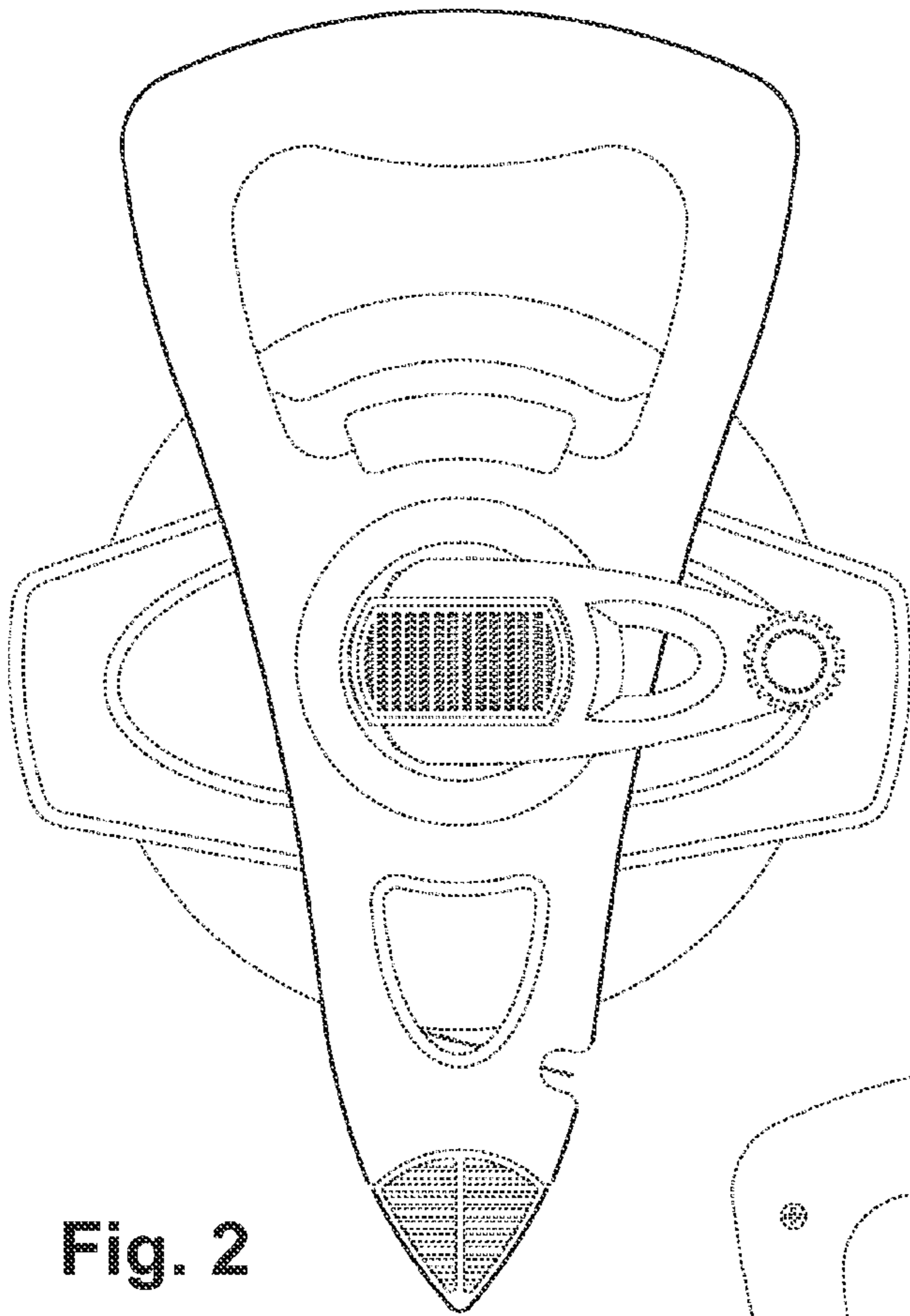


Fig. 2

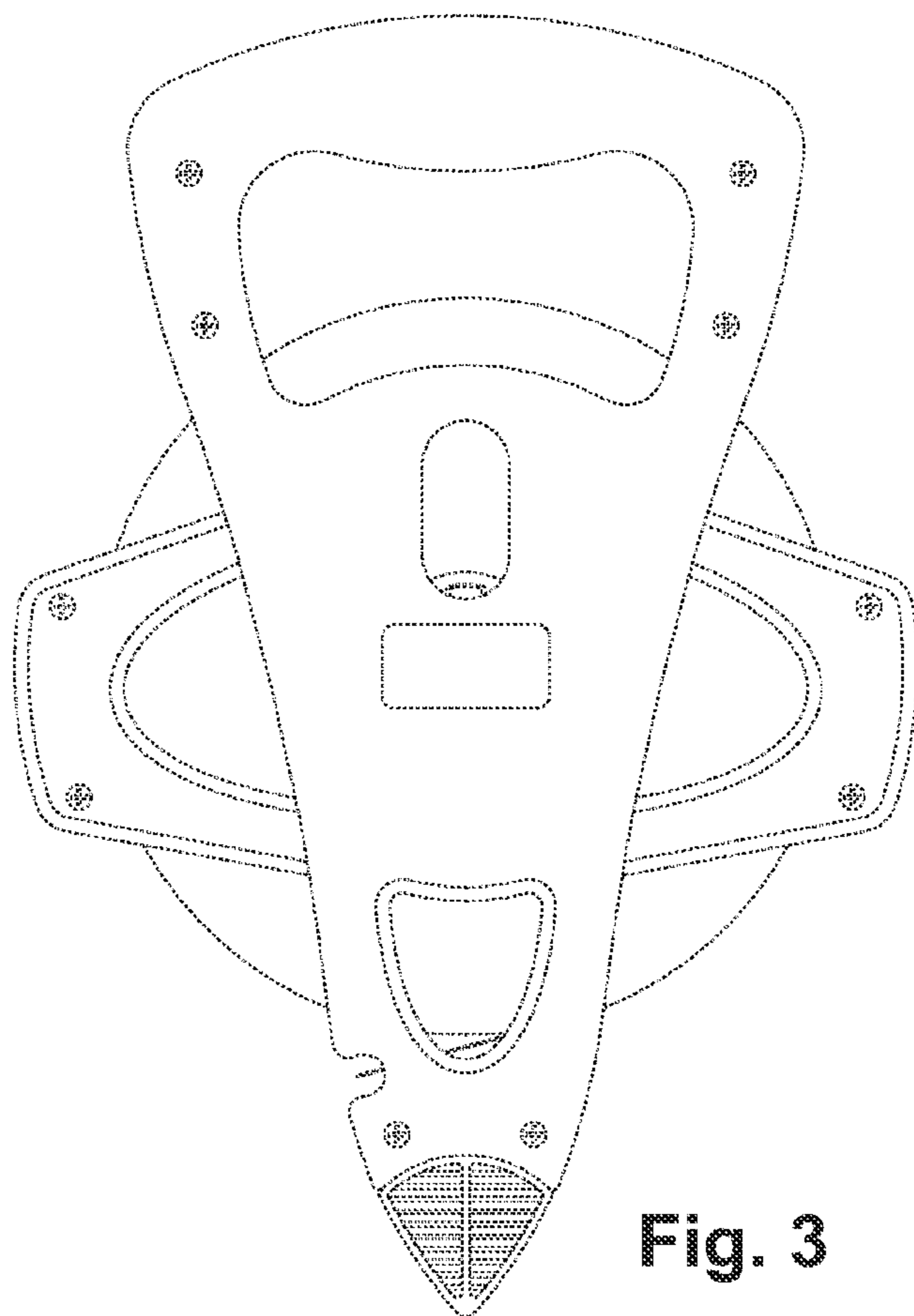


Fig. 3

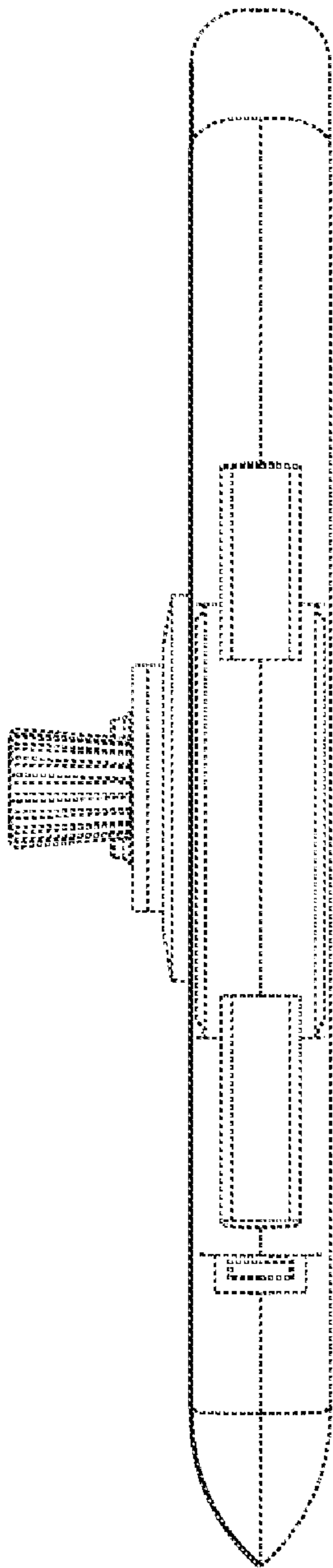


Fig. 4

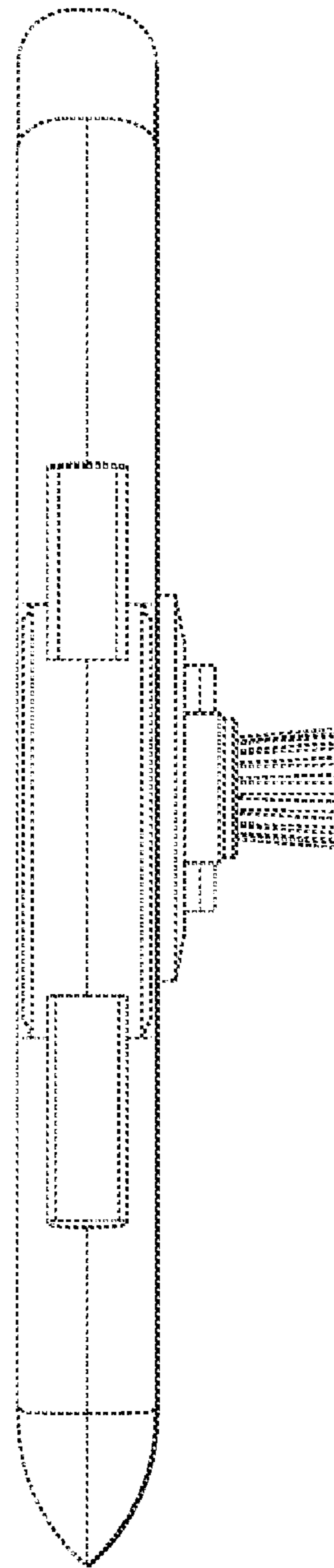


Fig. 5

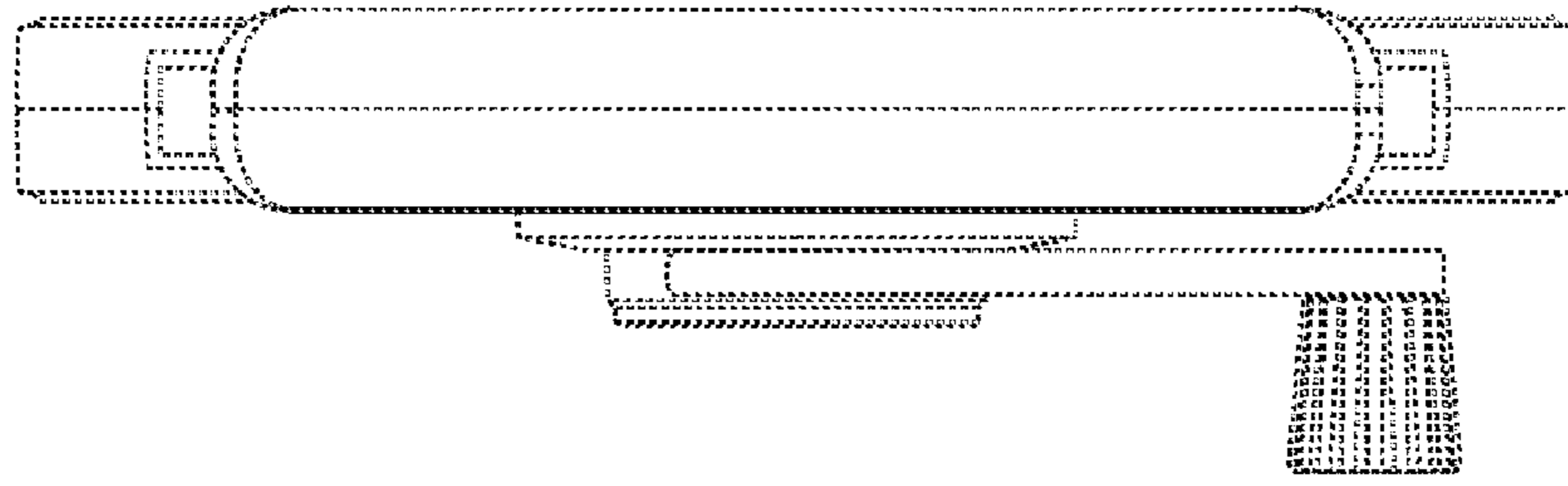


Fig. 6

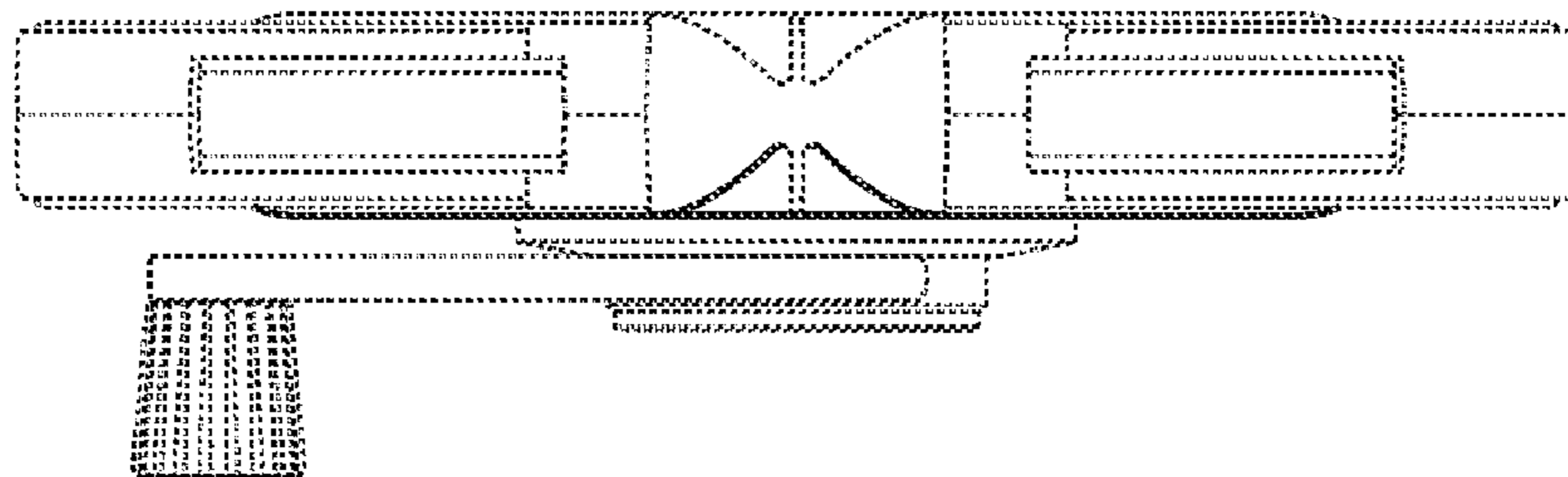


Fig. 7

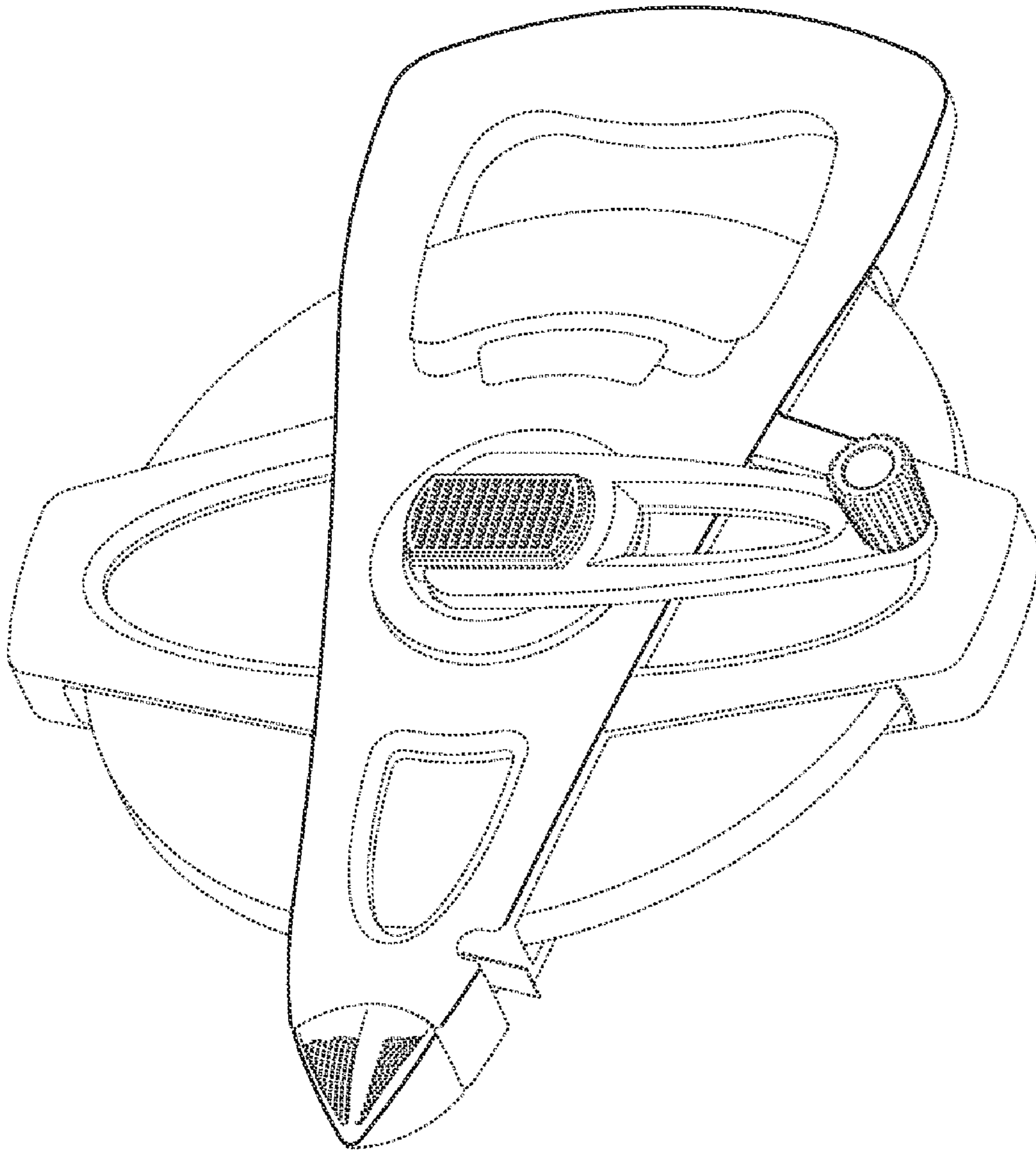


Fig. 8

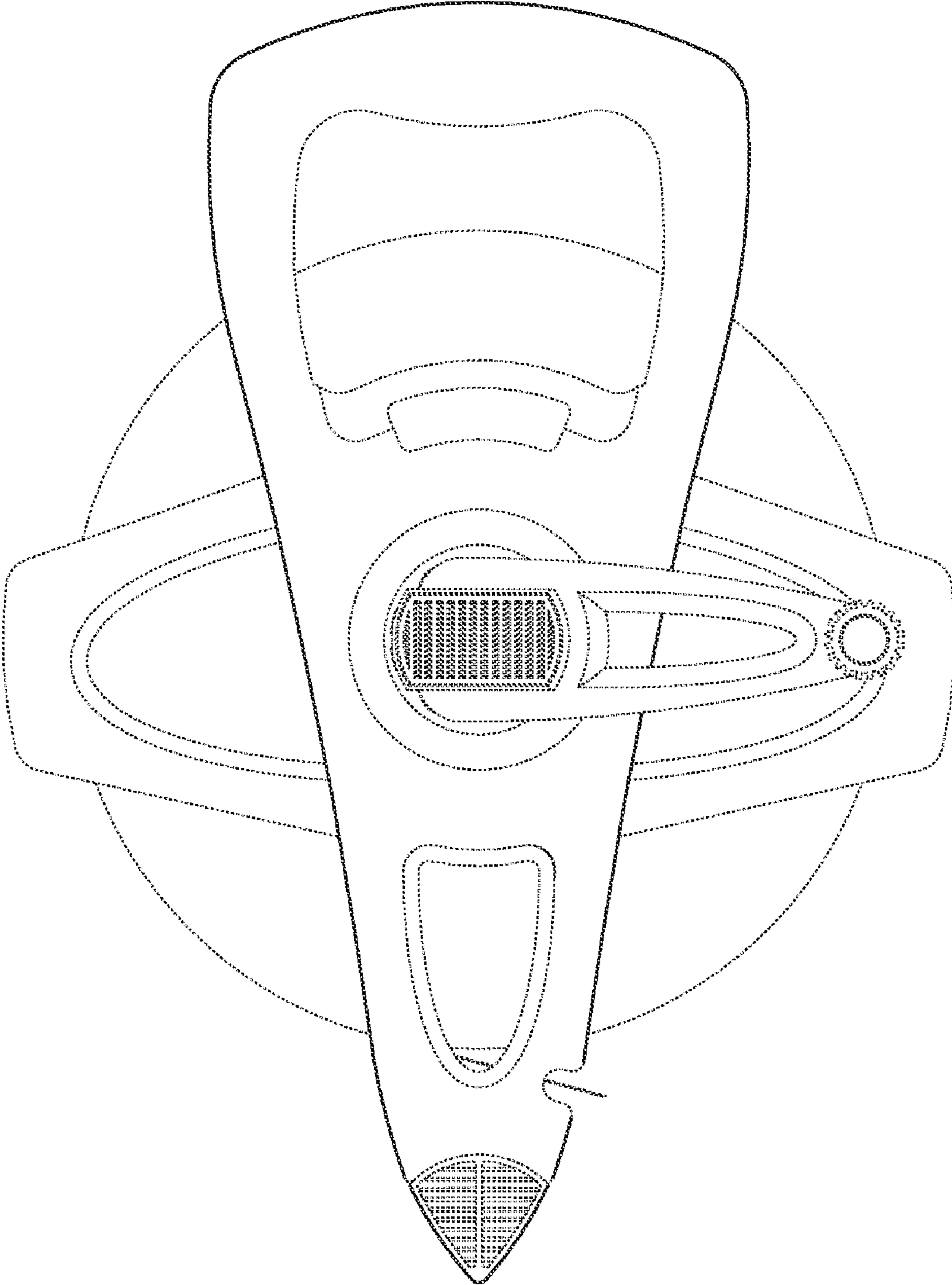


Fig. 9

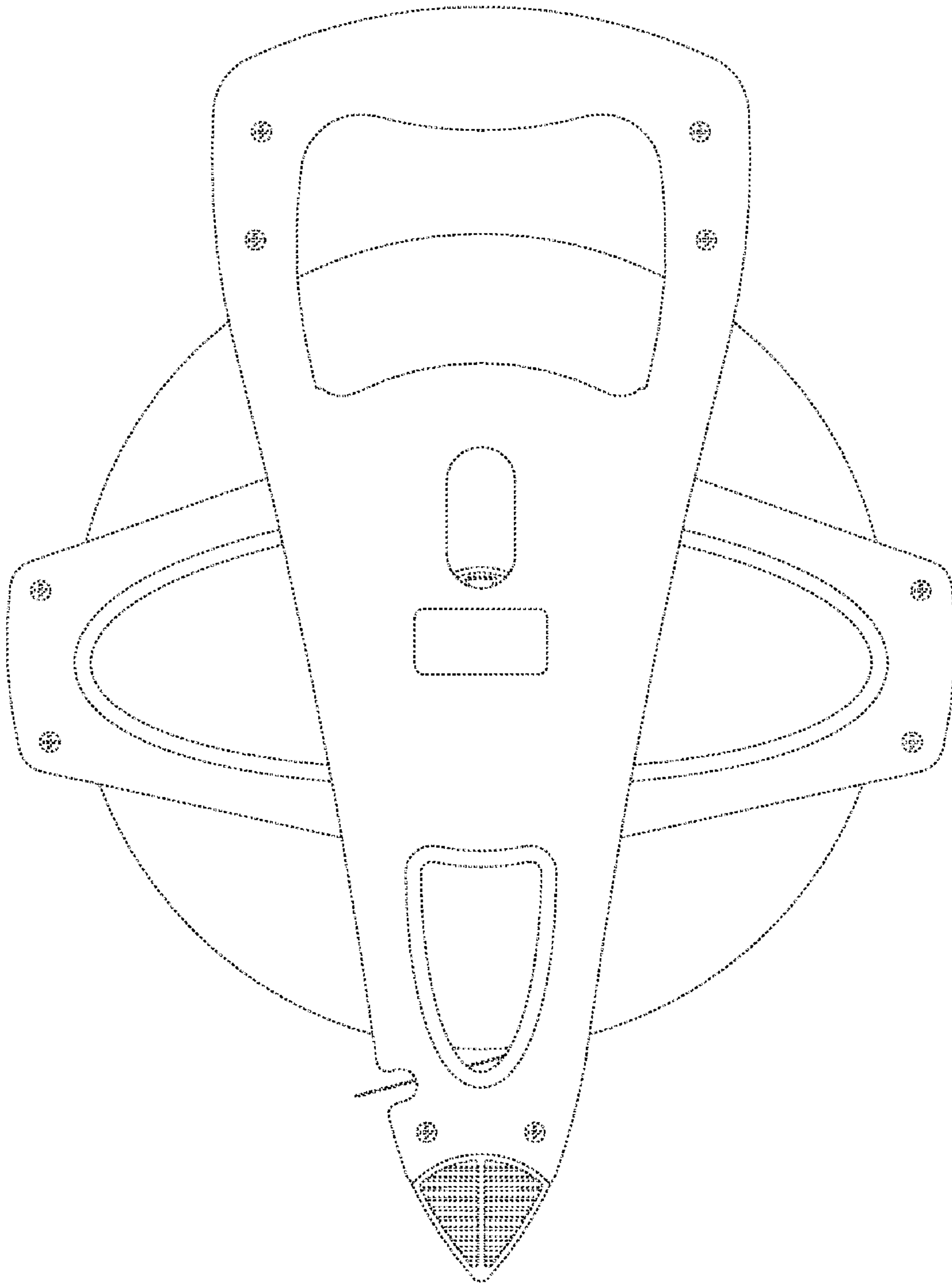


Fig. 10

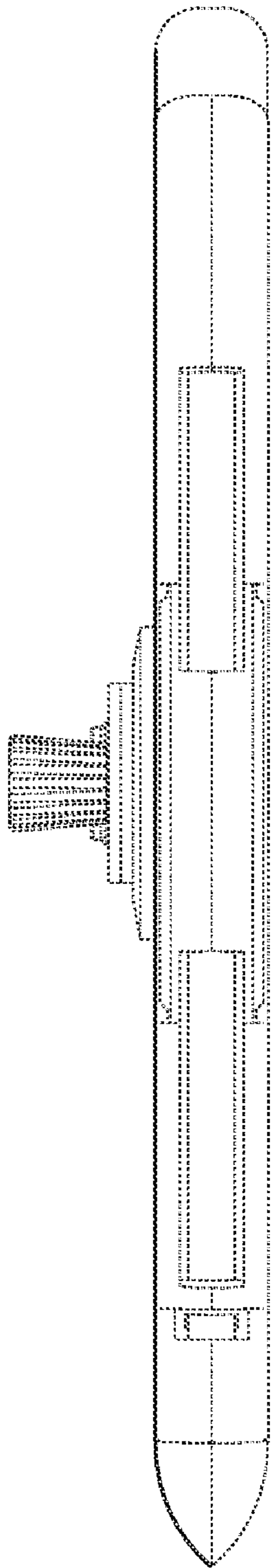


Fig. 11

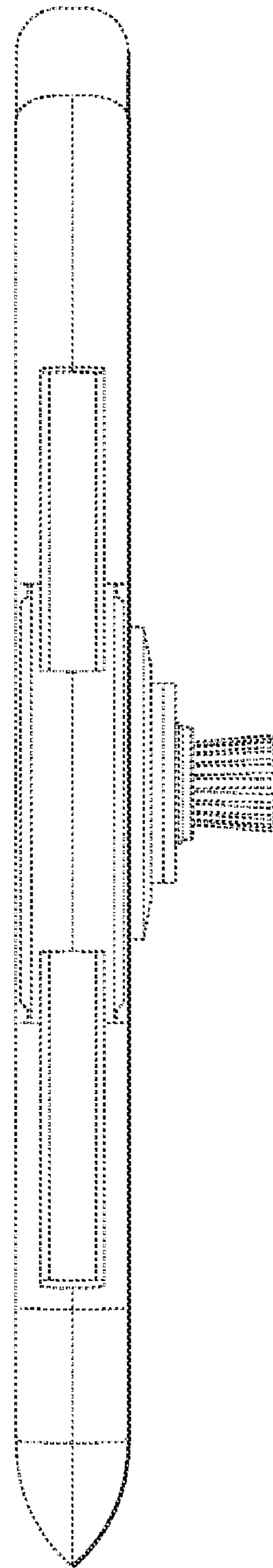


Fig. 12

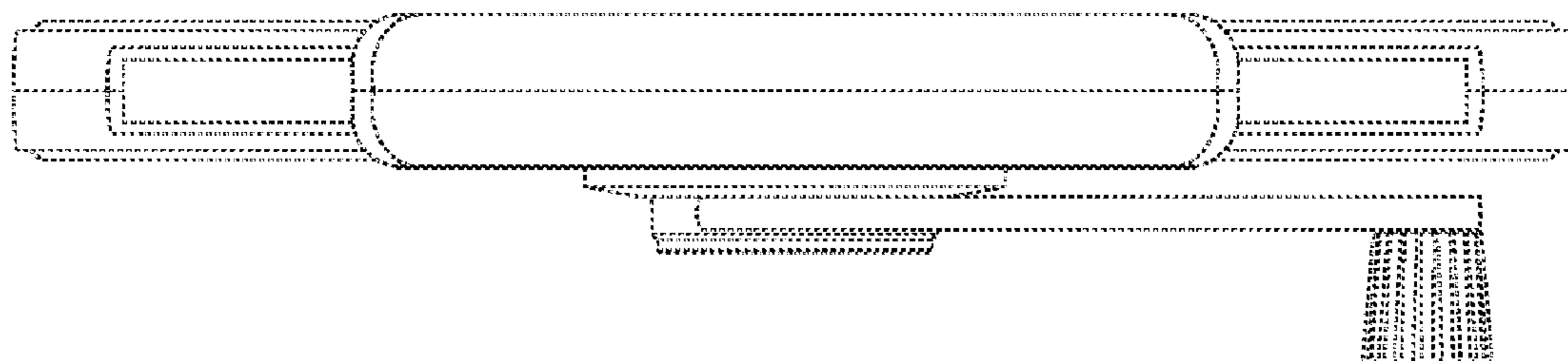


Fig. 13

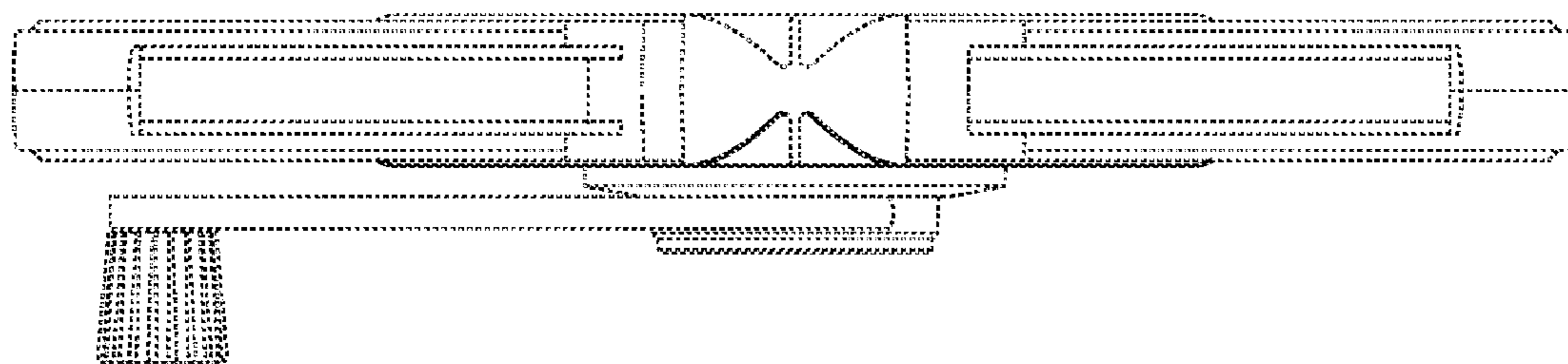


Fig. 14